

[54] TOY COOKING GRILL

[75] Inventor: Janet E. Snell-Kelly, East Aurora, N.Y.

[73] Assignee: The Quaker Oats Company, Chicago, Ill.

[**] Term: 14 Years

[21] Appl. No.: 232,583

[22] Filed: Aug. 15, 1988

[52] U.S. Cl. D21/122

[58] Field of Search D21/59, 109, 121, 122; 446/481, 480, 479

[56] References Cited

U.S. PATENT DOCUMENTS

- D. 182,273 3/1958 Connolly D7/338
- D. 269,022 5/1983 Appel et al. D21/122
- D. 270,421 9/1983 Whelan D7/338
- D. 277,541 2/1985 Espinda D7/337
- D. 278,505 4/1985 Mackin D7/337

Primary Examiner—Charles A. Rademaker
Attorney, Agent, or Firm—Cumpston & Shaw

[57] CLAIM

The ornamental design for a toy cooking grill, as shown and described.

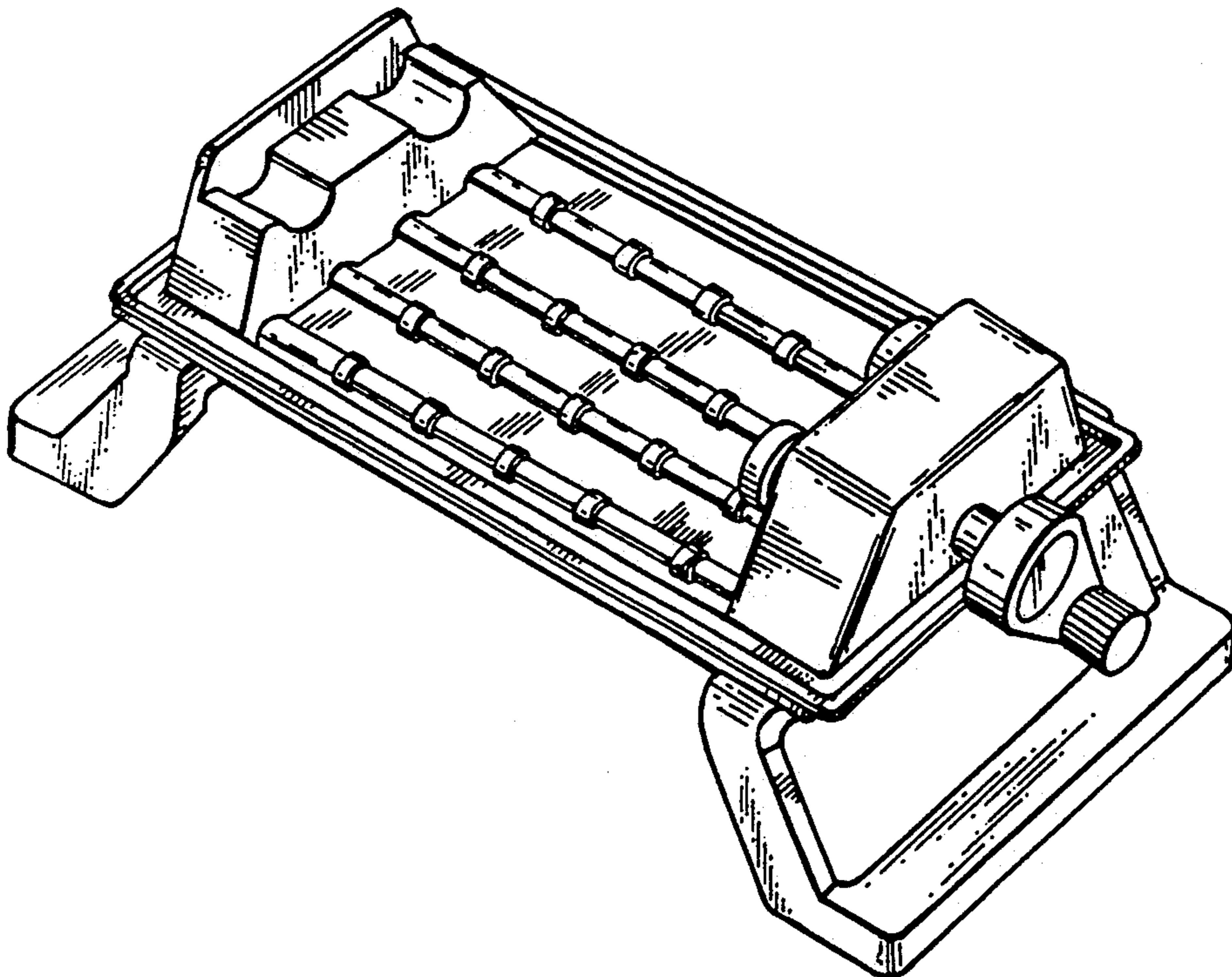
DESCRIPTION

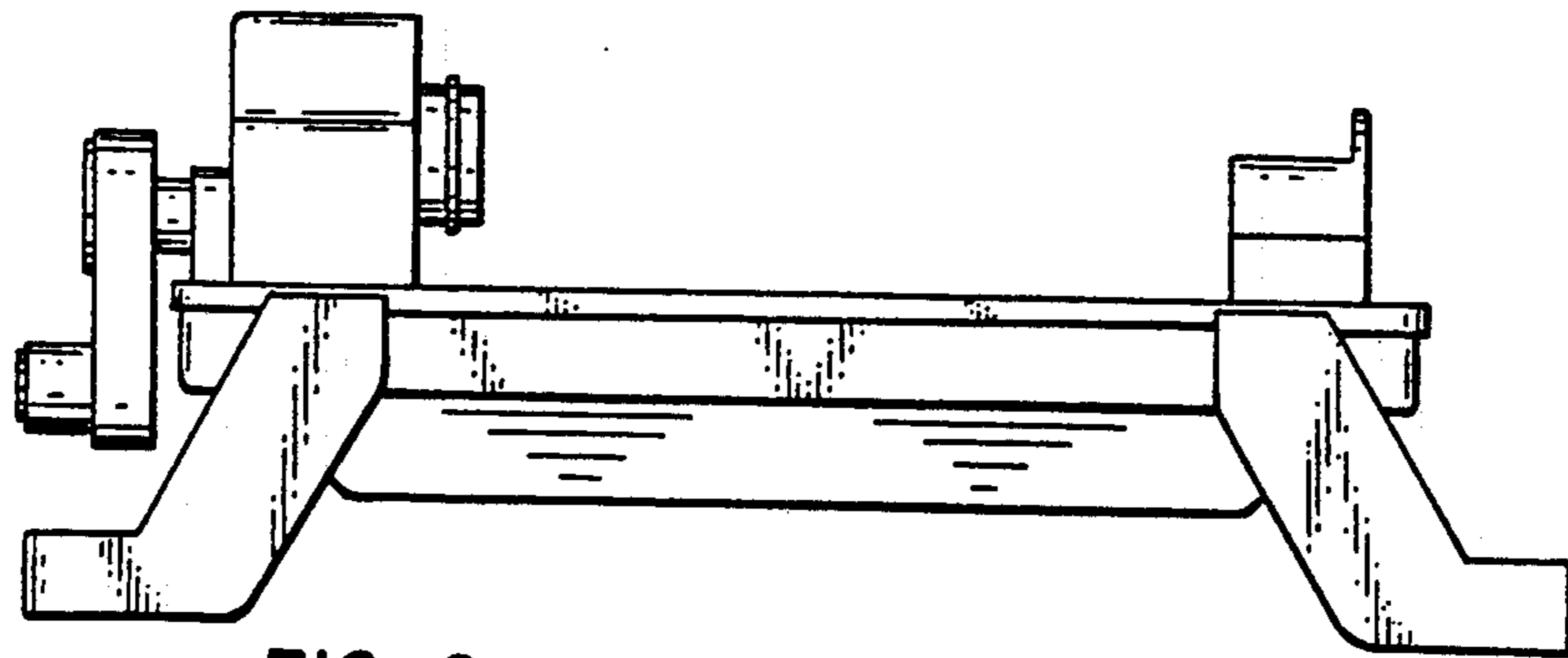
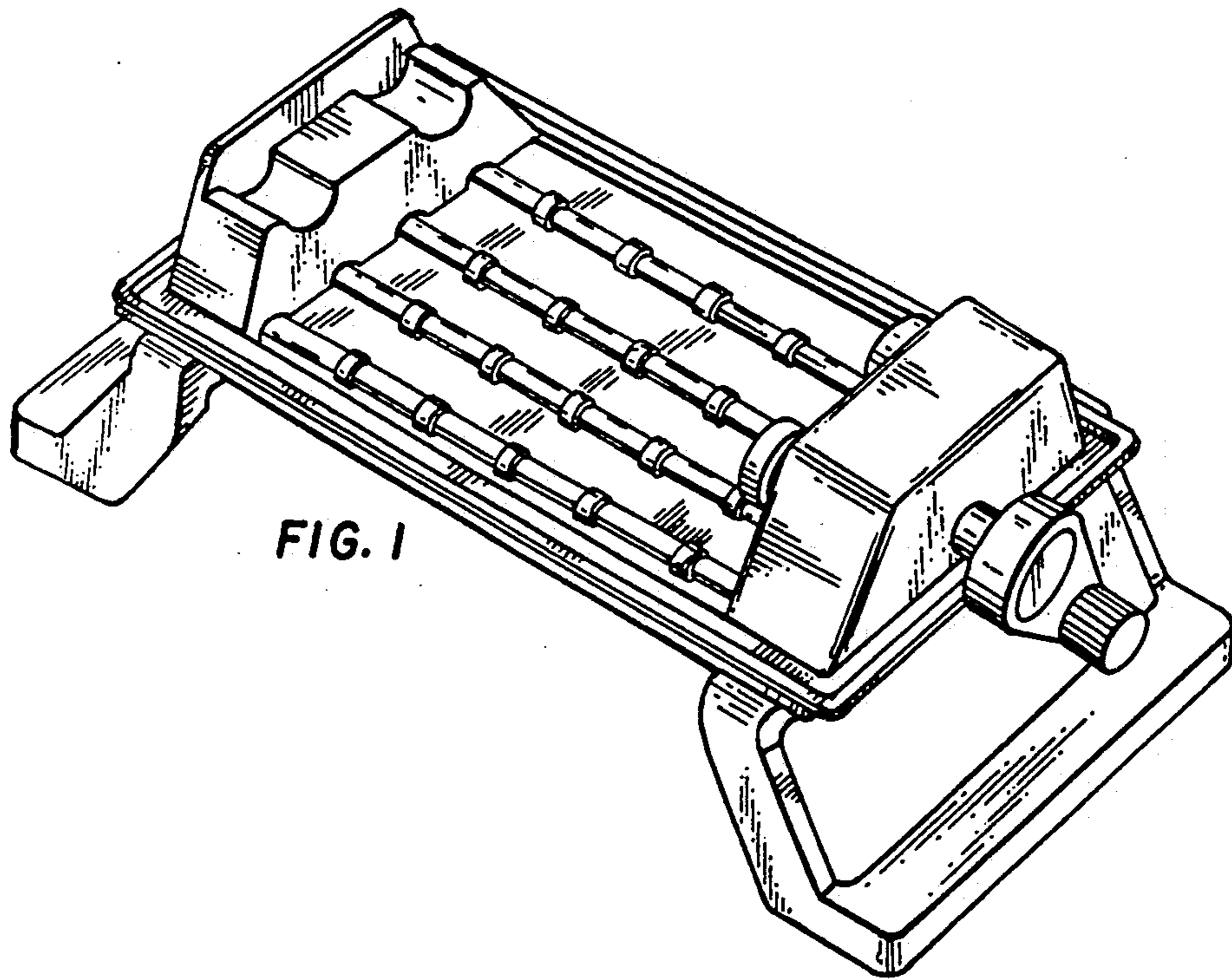
FIG. 1 is a right front perspective view of a toy cooking grill showing my new design;

FIG. 2 is a front elevational view thereof;

FIG. 3 is a right side elevational view thereof; and

FIG. 4 is a bottom plan view thereof.





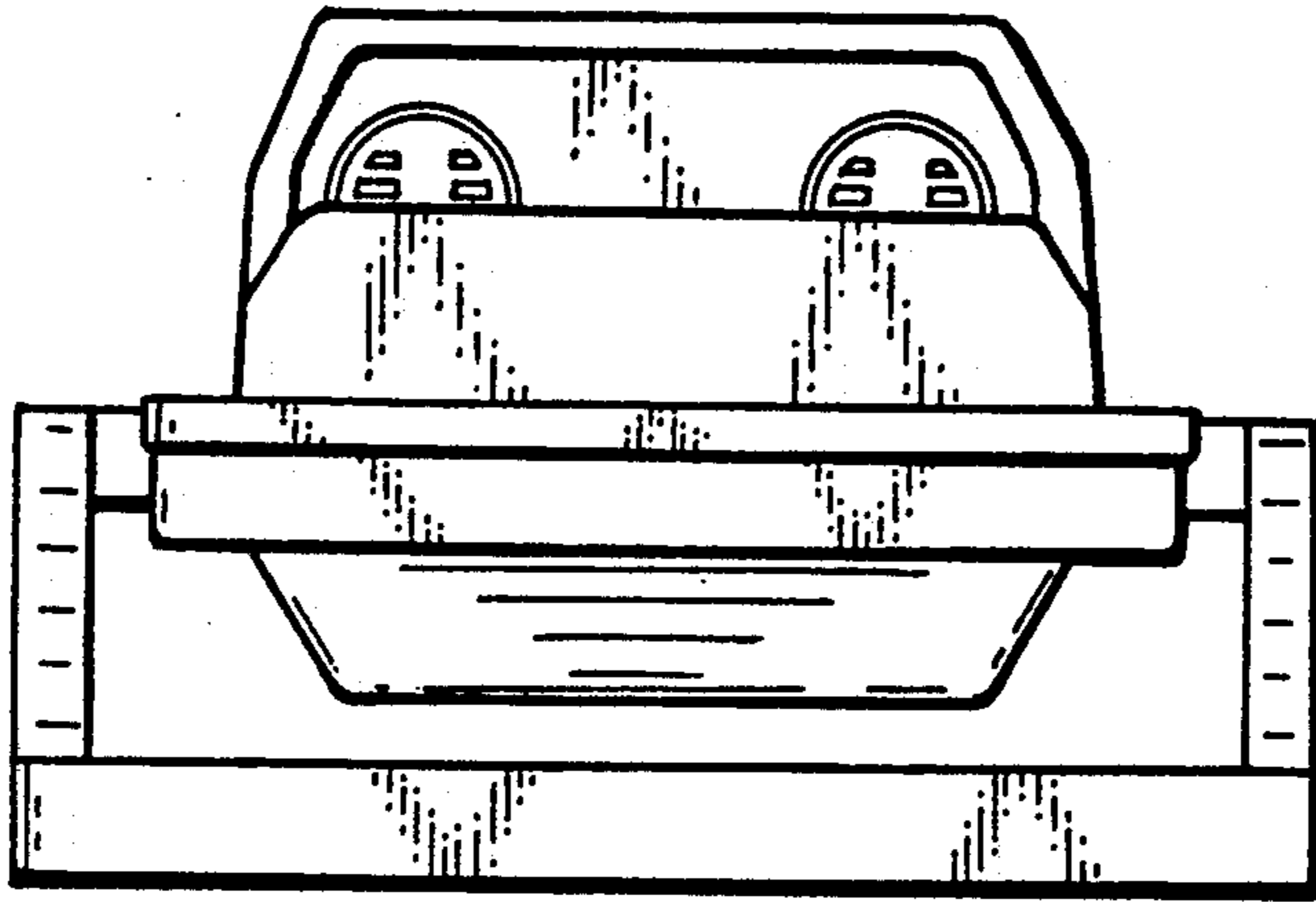


FIG. 3

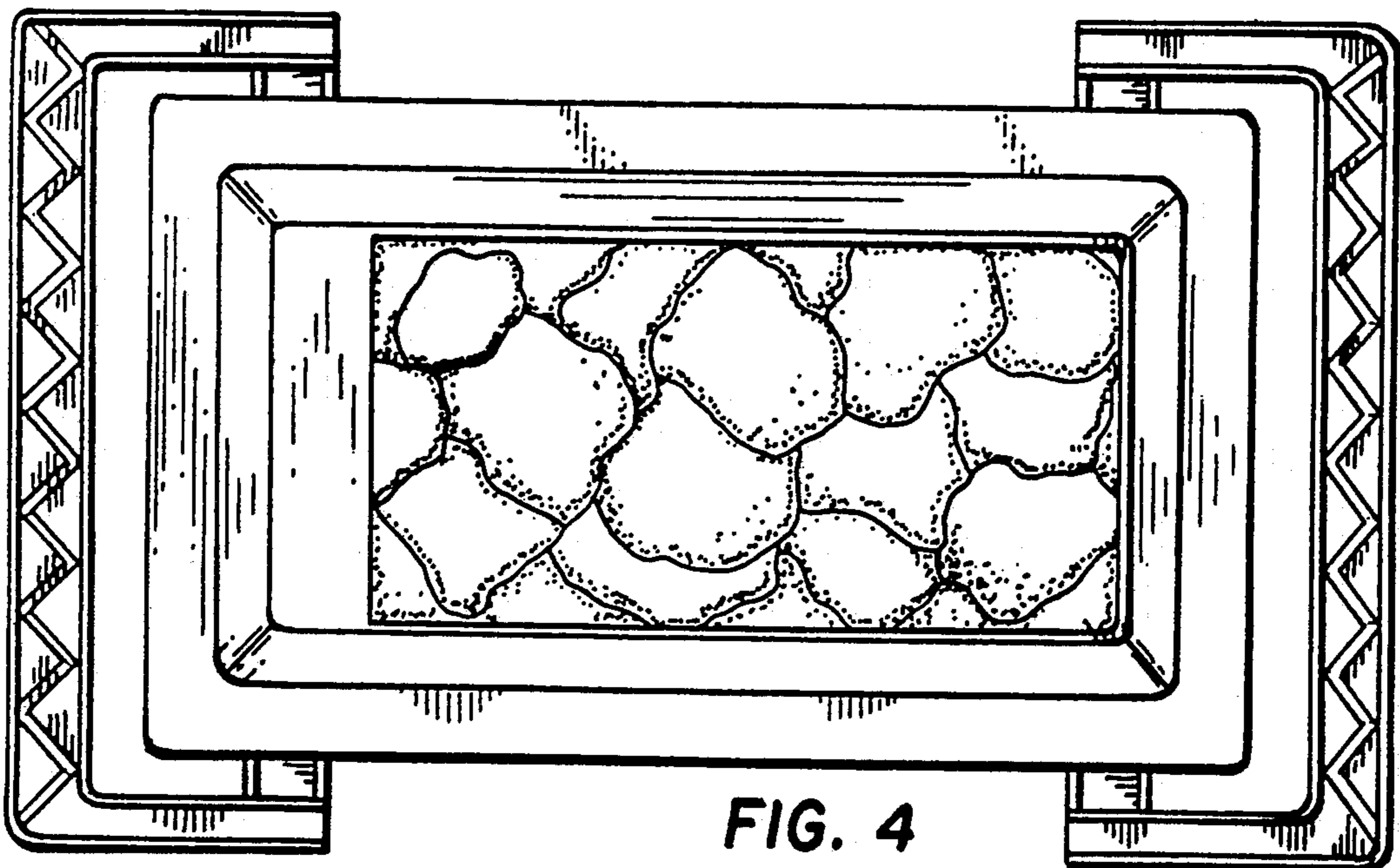


FIG. 4