

[54] SNARE DRUM THROW OFF

[76] Inventor: Joseph P. Montineri, P.O. Box 3186, Dept. C, Vernon, Conn. 06066

[**] Term: 14 Years

[21] Appl. No.: 217,811

[22] Filed: Jul. 12, 1988

[52] U.S. Cl. D17/22

[58] Field of Search D17/22, 99; D21/64; 84/411 R, 415, 417

[56] References Cited

U.S. PATENT DOCUMENTS

D. 228,023	7/1973	Grauso	D17/22
2,096,209	10/1937	Strupe	84/415
2,261,120	11/1941	Ludwig et al.	84/415
4,787,286	11/1988	Okumura	84/417

FOREIGN PATENT DOCUMENTS

1574617	9/1980	United Kingdom	84/415
---------	--------	----------------	-------	--------

OTHER PUBLICATIONS

Grossman Music Corporation Catalog, 1968, p. 77, ("Universal" Throw-Off Strainer).

Primary Examiner—Bernard Ansher
Assistant Examiner—Adir Aronovich
Attorney, Agent, or Firm—McCormick, Paulding & Huber

[57] CLAIM

The ornamental design for a snare drum throw off, as shown and described.

DESCRIPTION

FIG. 1 is a top plan view of a snare drum throw off showing my new design.

FIG. 2 is a bottom plan view thereof.

FIG. 3 is a front elevational view thereof.

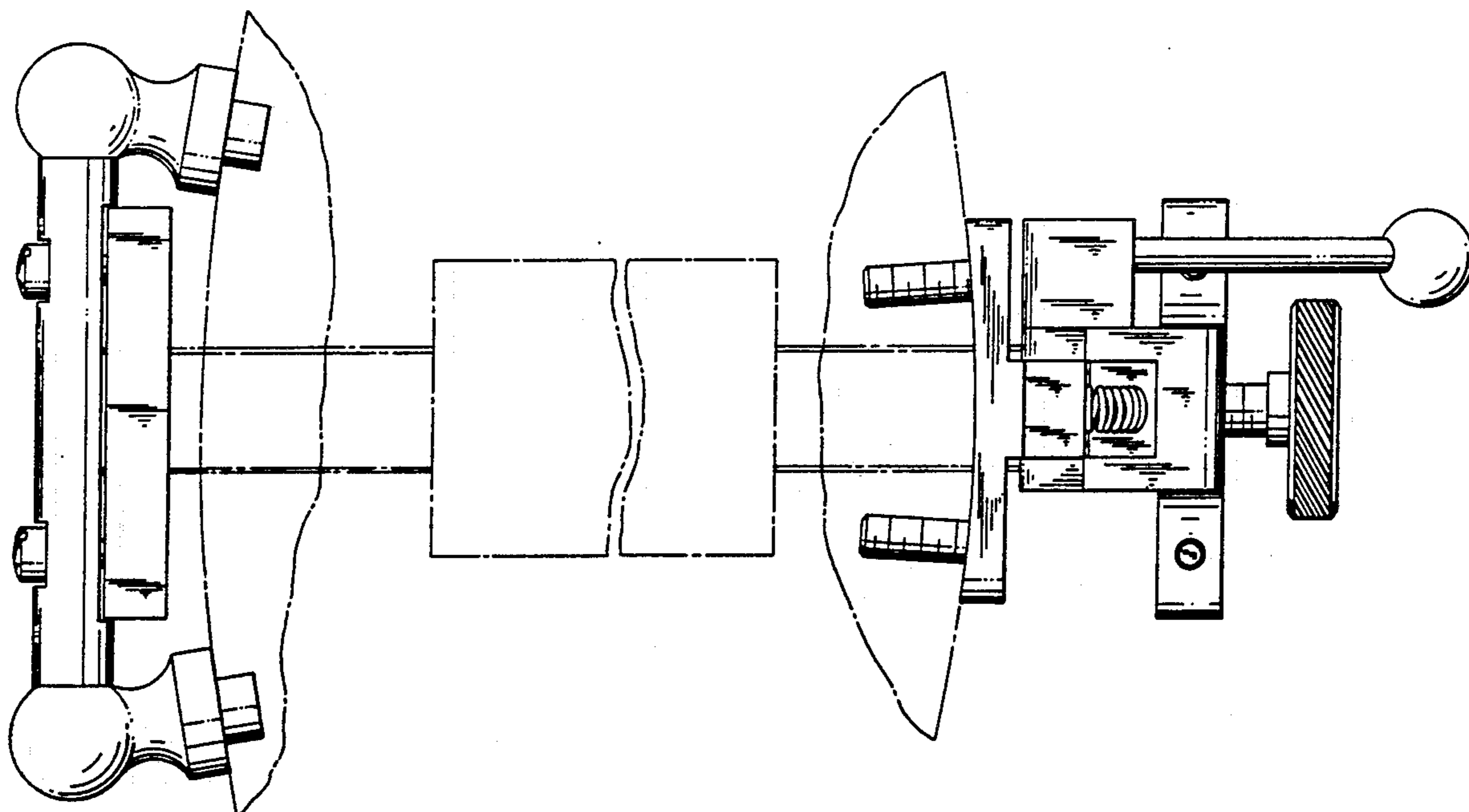
FIG. 4 is a front elevational view thereof, the snare drum throw off disclosed in an alternative position to that shown in FIG. 3.

FIG. 5 is a rear elevational view thereof.

FIG. 6 is right side elevational view thereof.

FIG. 7 is left side elevational view thereof.

The broken lines showing the drum and the snare is for illustrative purposes only and forms no part of the claimed design.



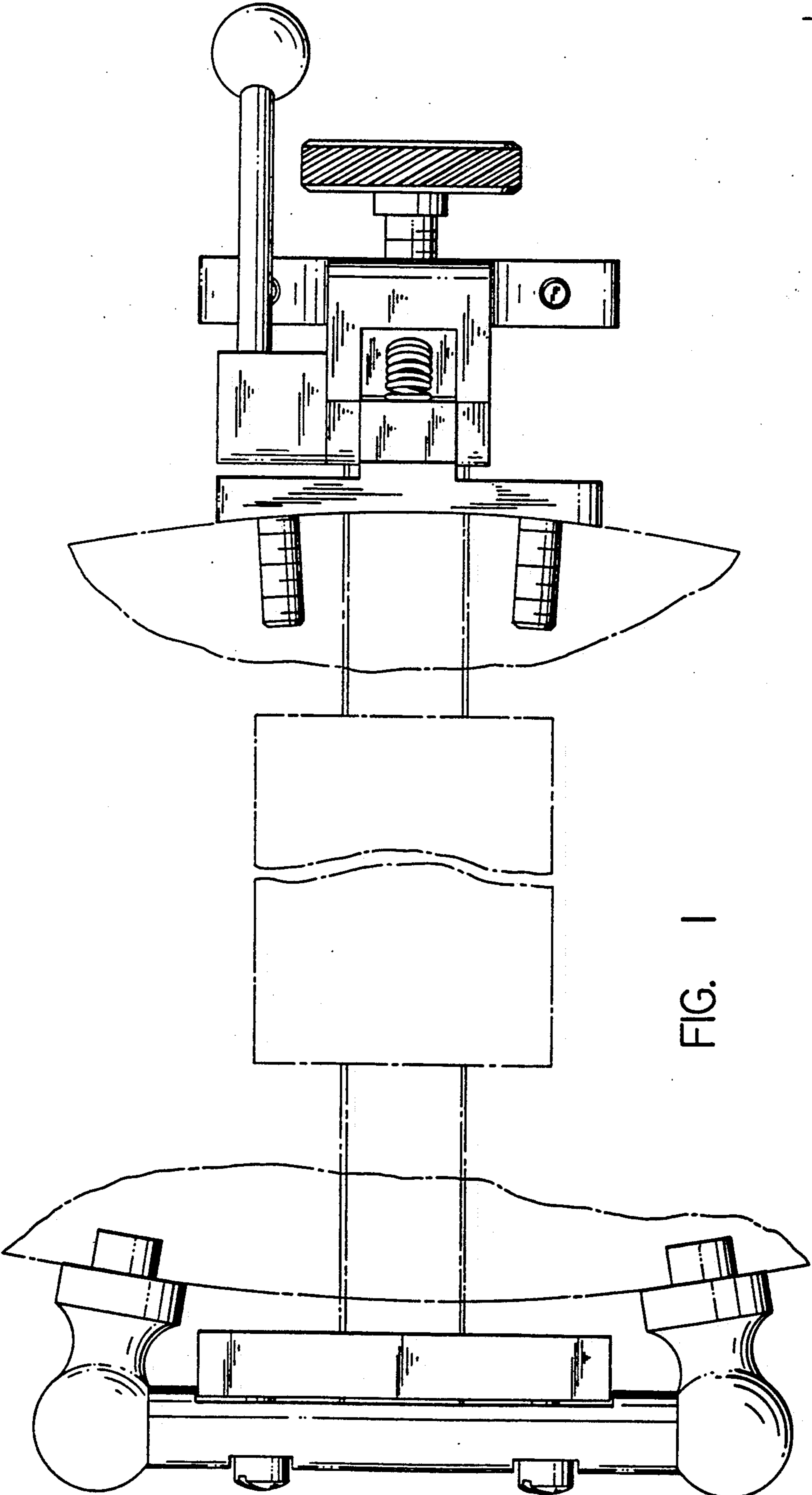


FIG. 1

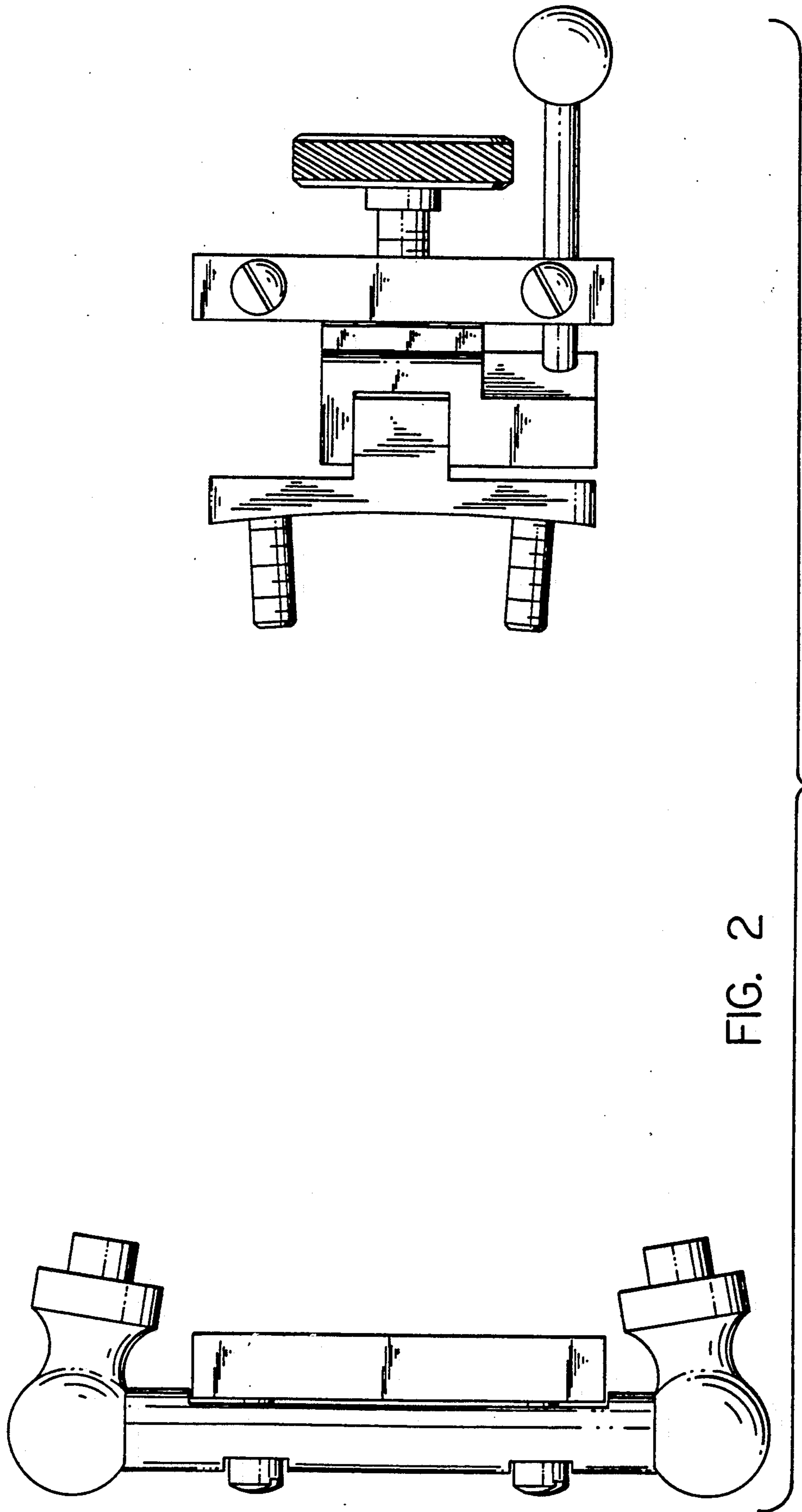


FIG. 2

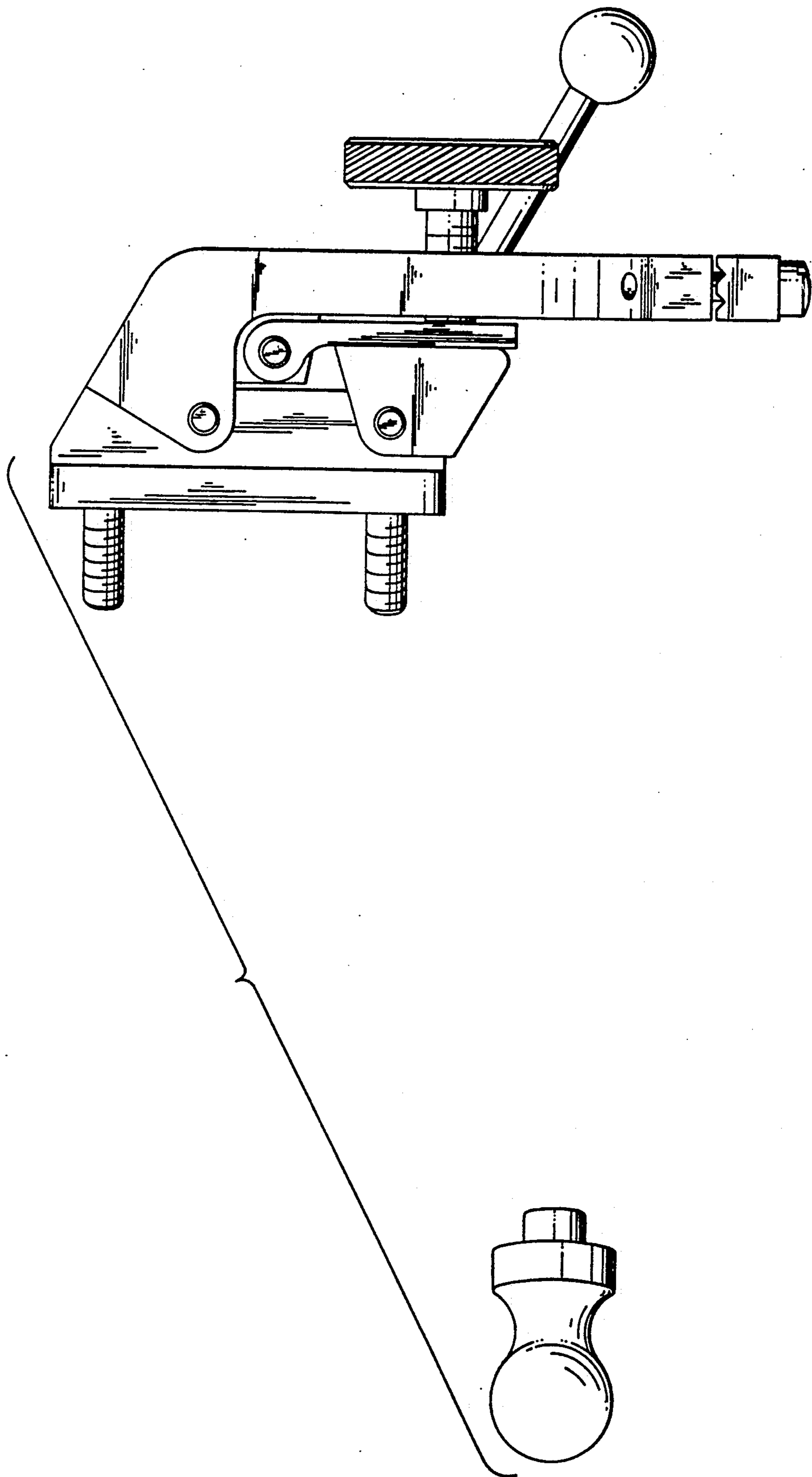


FIG. 3

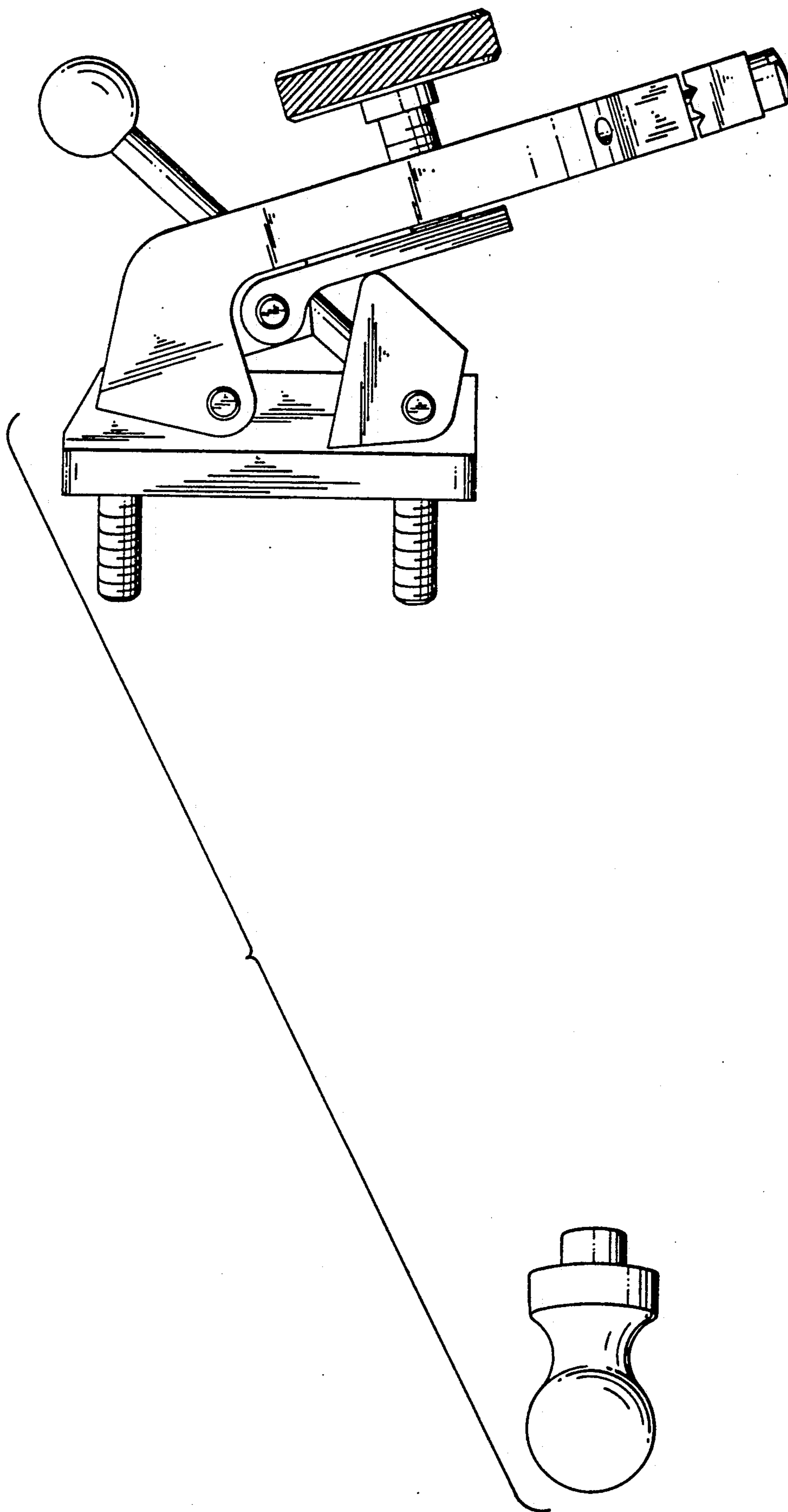


FIG. 4

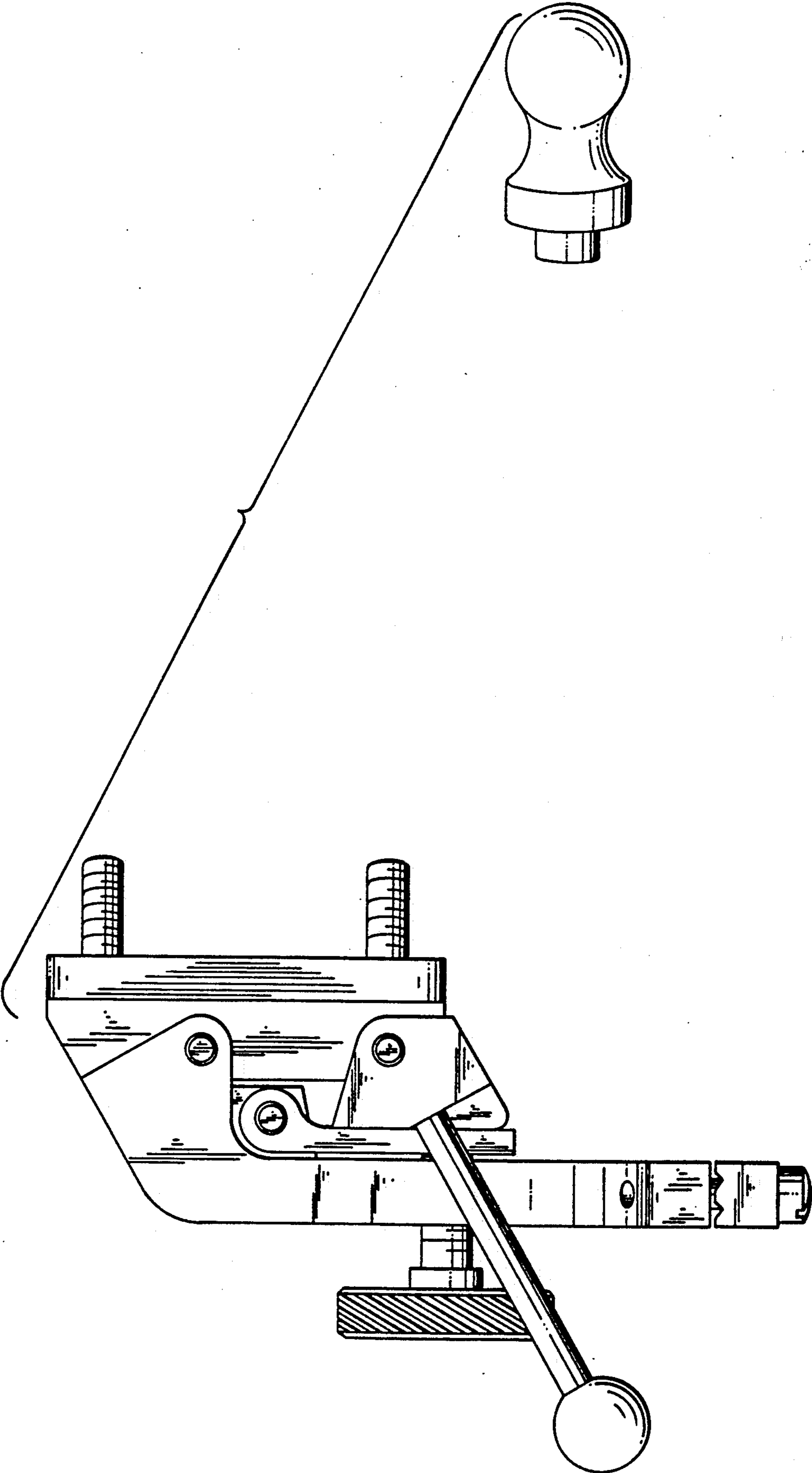


FIG. 5

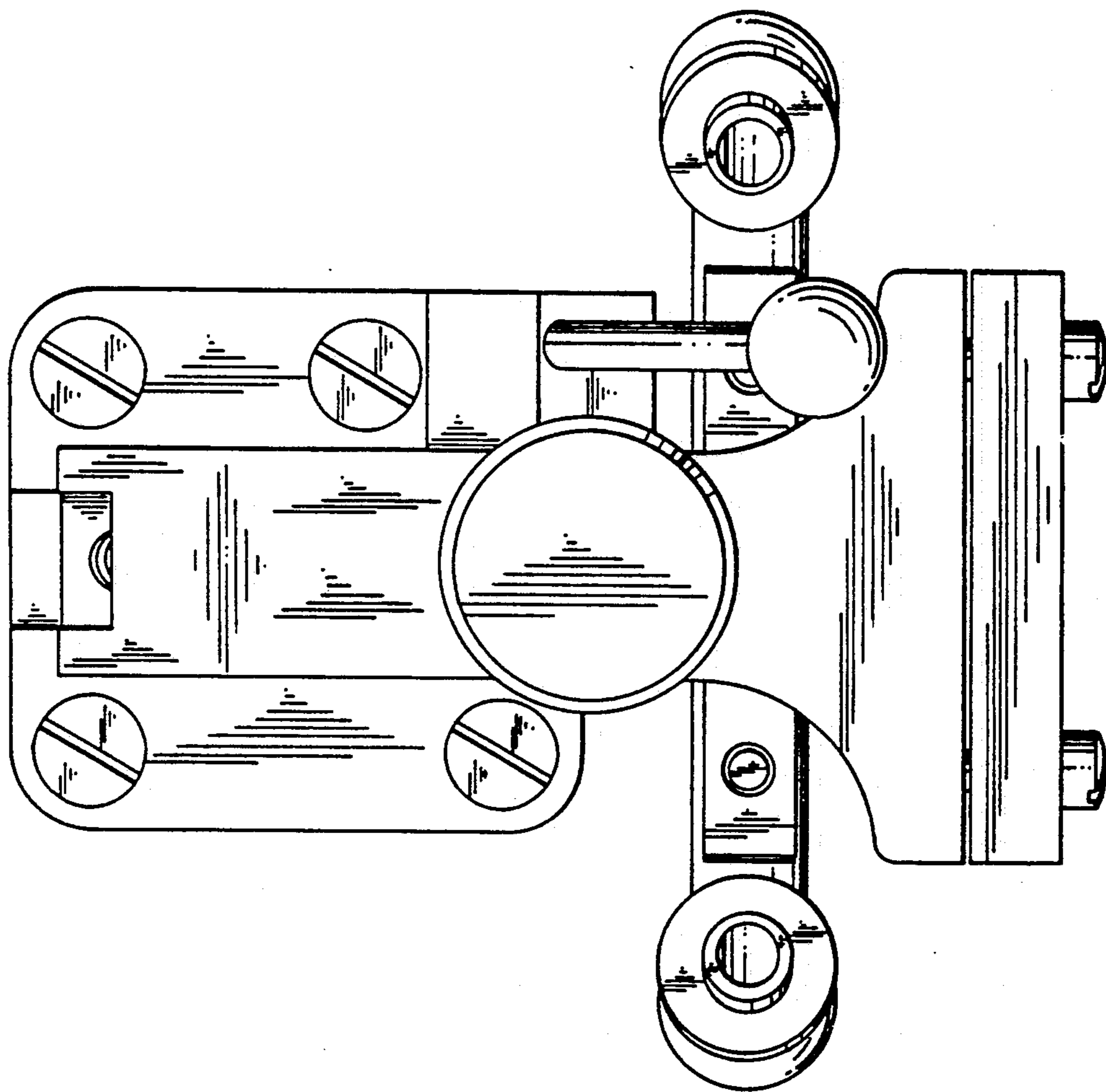


FIG. 6

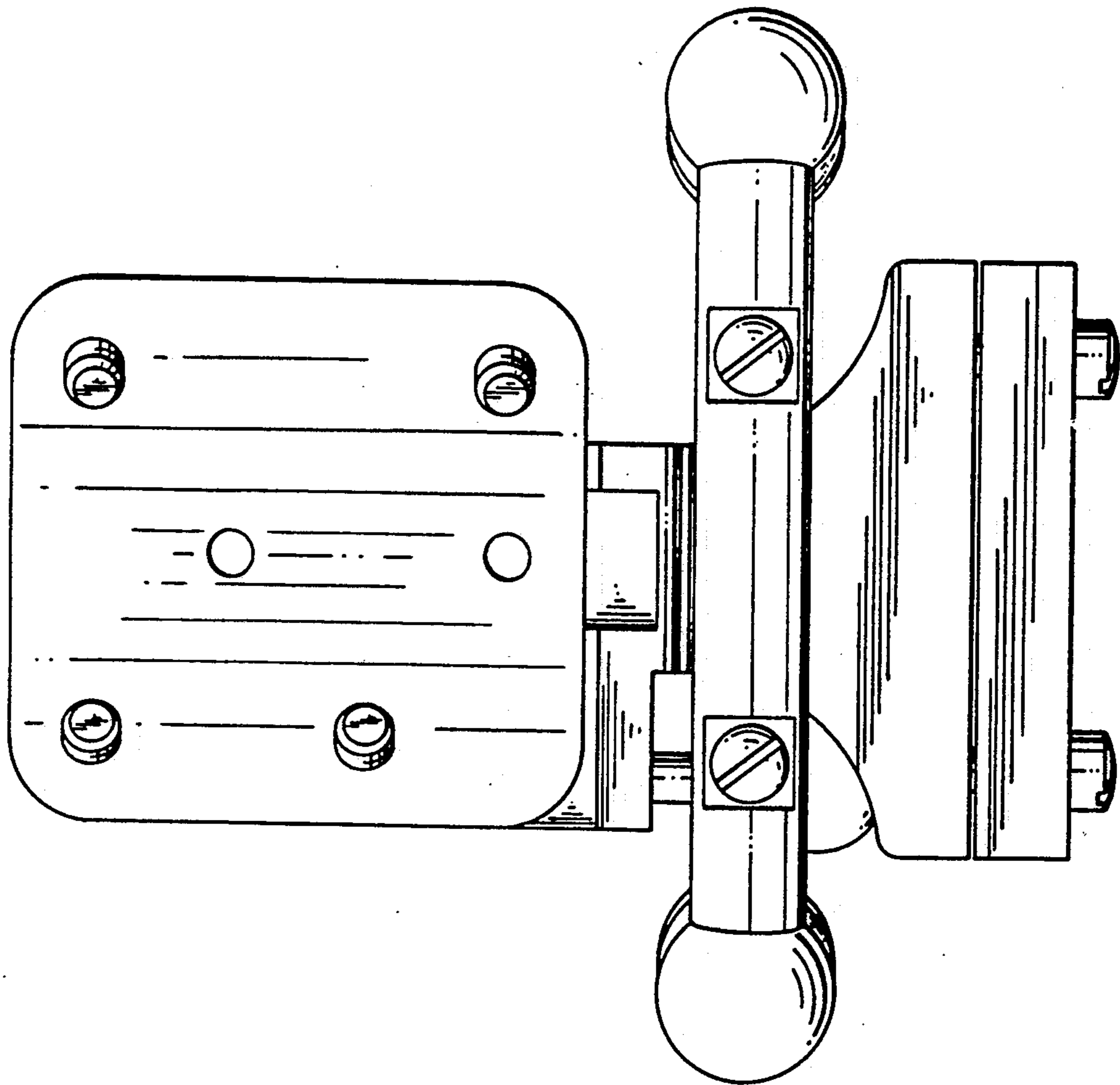


FIG. 7