

[54] STAND FOR A PORTABLE TELEPHONE

[75] Inventors: Malcolm C. Cant, Wokingham; Ron Major, Stroud, both of England

[73] Assignee: Technophone Limited, Surrey, England

[**] Term: 14 Years

[21] Appl. No.: 364,001

[22] Filed: Jun. 7, 1989

[30] Foreign Application Priority Data

Jan. 31, 1989 [GB] United Kingdom 1056756

[52] U.S. Cl. D14/252

[58] Field of Search D14/251, 253, 151; 379/440, 436, 428, 446, 454, 455

[56] References Cited

U.S. PATENT DOCUMENTS

- D. 262,210 12/1981 Janda D14/253
- D. 262,213 12/1981 Janda D14/253
- D. 277,664 2/1985 Wilt D14/251
- D. 279,185 6/1985 Felix et al. D14/251
- D. 279,674 7/1985 Harley D14/251
- D. 304,338 10/1989 Sermon D14/142 X
- D. 305,423 1/1990 Gilmore et al. D14/142 X
- D. 305,538 1/1990 Gilmore et al. D14/142 X

4,308,432 12/1981 Chesler et al. D14/253 X
4,700,383 10/1987 Takagi 379/433

Primary Examiner—Horace B. Fay, Jr.
Attorney, Agent, or Firm—Perman & Green

[57] CLAIM

The ornamental design for a stand for a portable telephone, as shown and described.

DESCRIPTION

FIG. 1 is a side view of a stand for a portable telephone showing our new design with a support plate in the operative position;
 FIG. 2 is a front view with the support plate in the operative position;
 FIG. 3 is a rear view with the support plate in the operative position;
 FIG. 4 is a bottom plan view;
 FIG. 5 is a side view, with the support plate in the storage position;
 FIG. 6 is a rear view with the support plate in the storage position;
 FIG. 7 is a front view with the support plate in the storage position.
 FIG. 8 is a front and side perspective view with the support plate in the operative position; and
 FIG. 9 is a front and side perspective view with the support plate in the storage position.

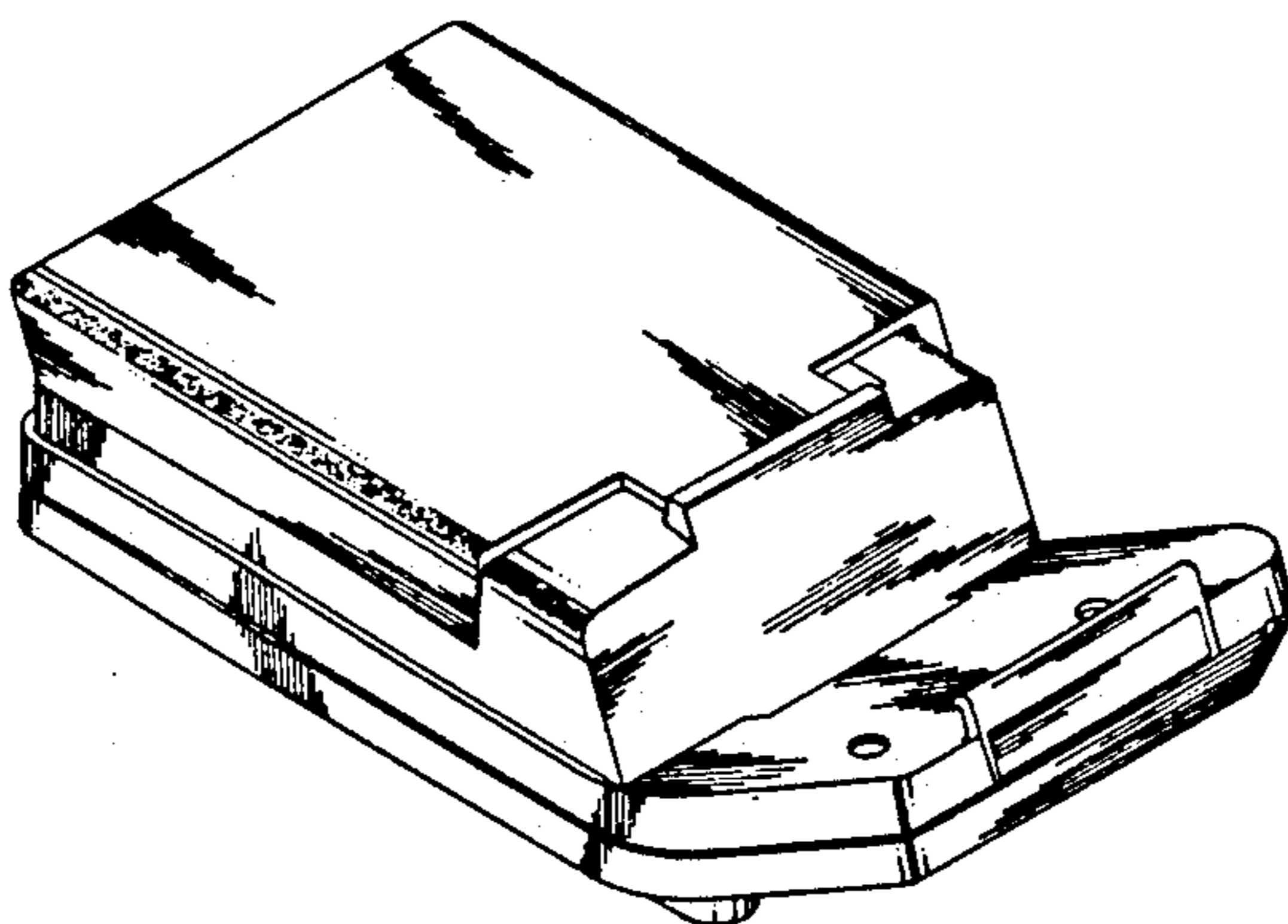
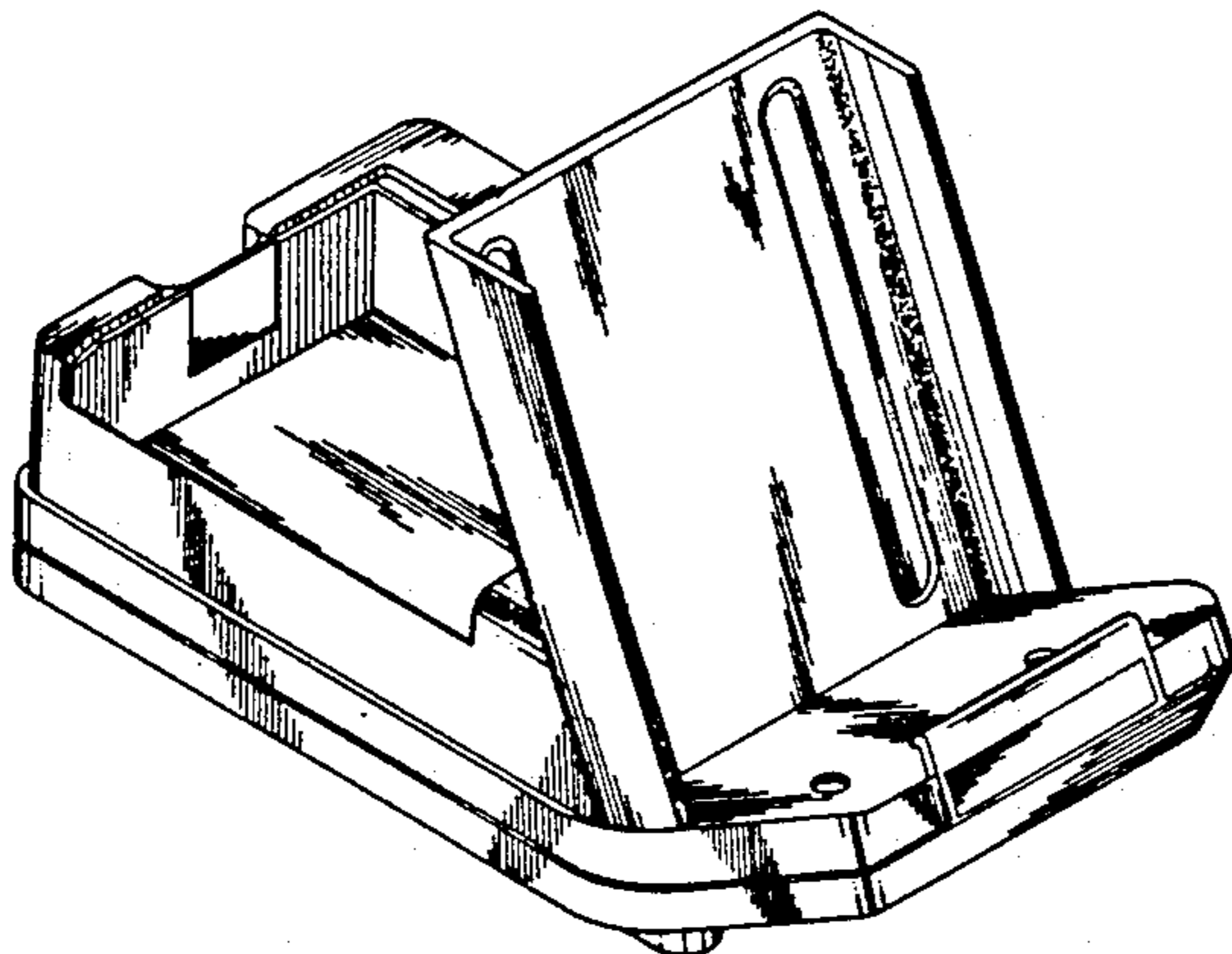


Fig. 1.

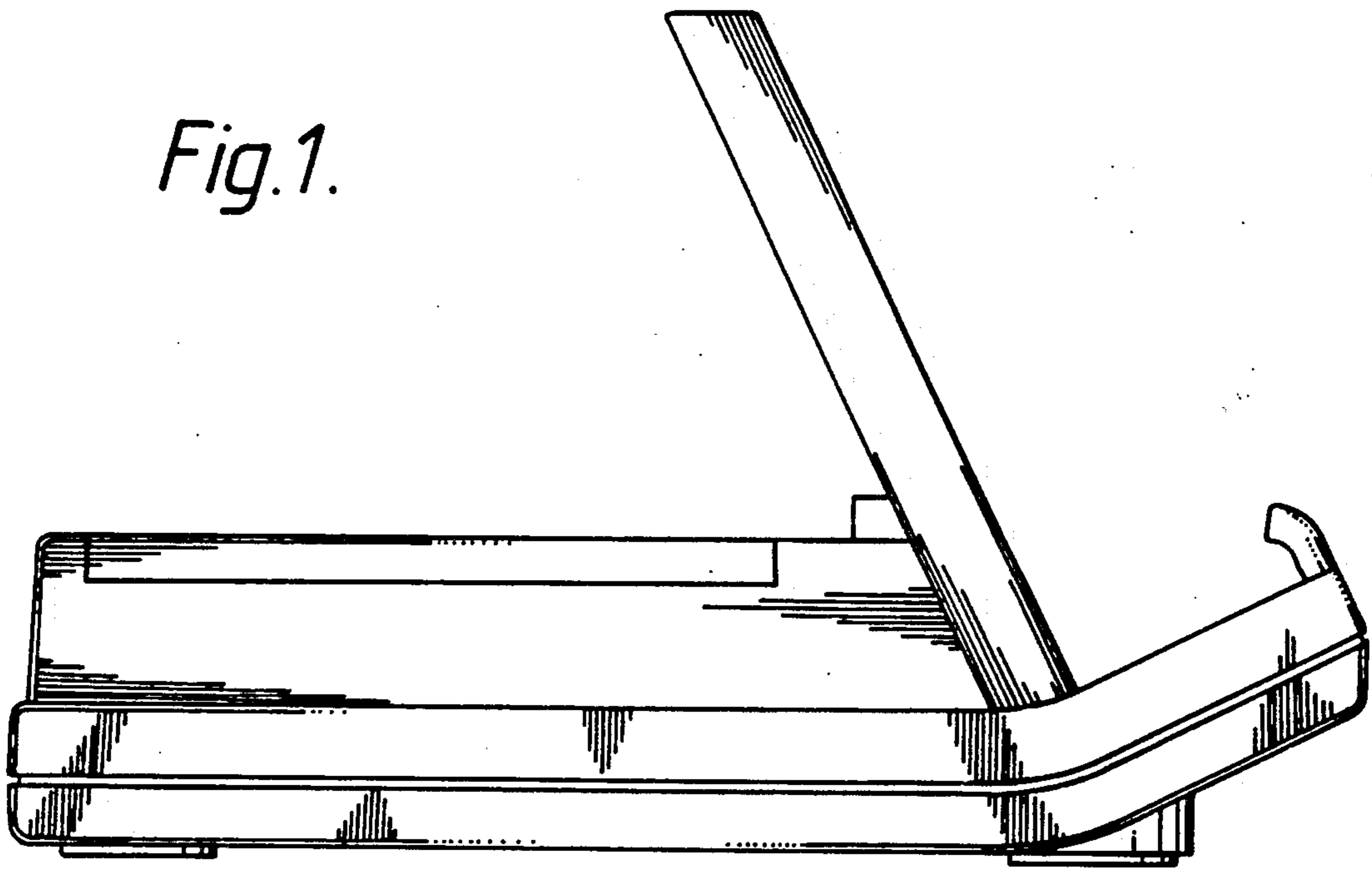


Fig. 2.

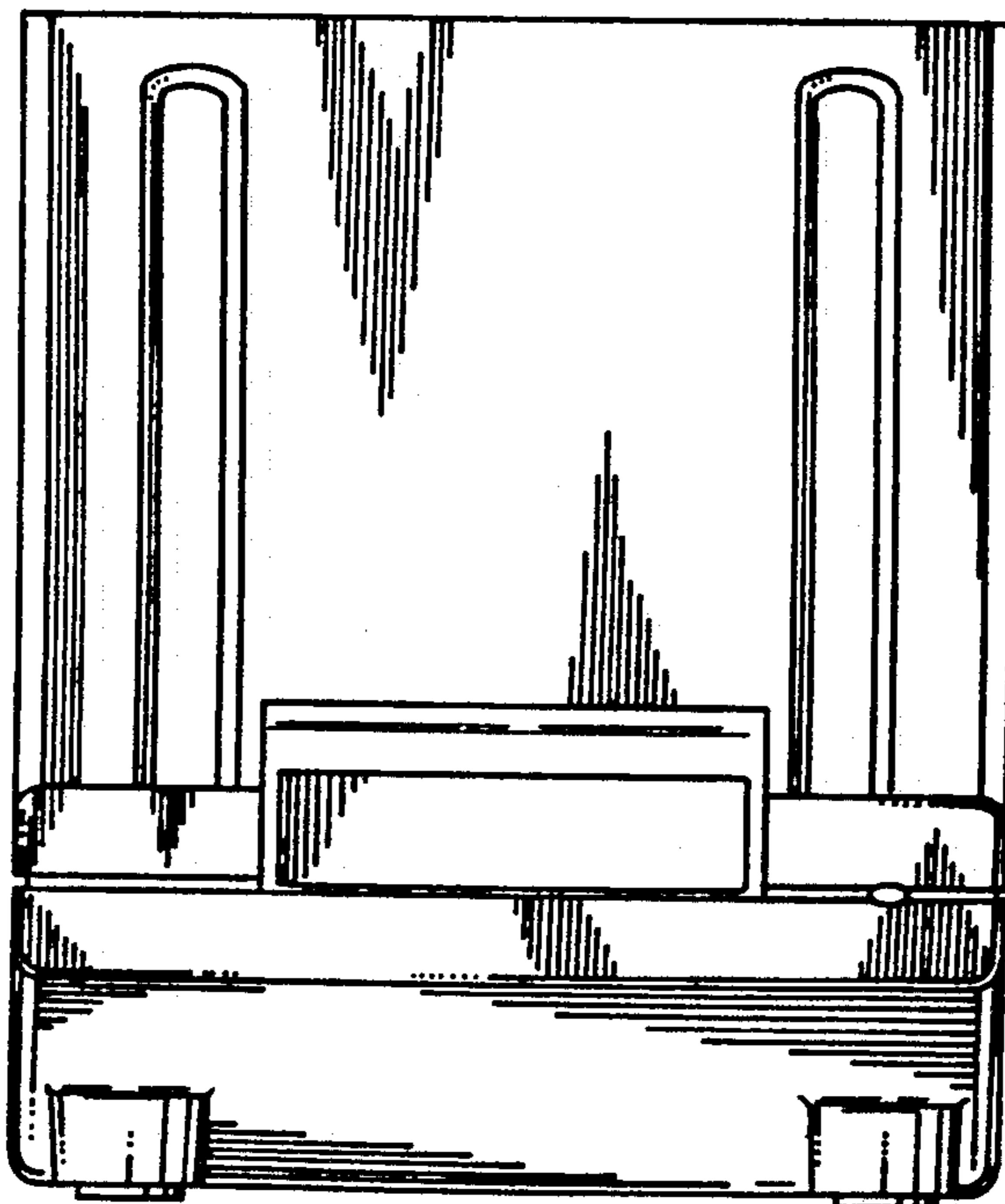


Fig. 3.

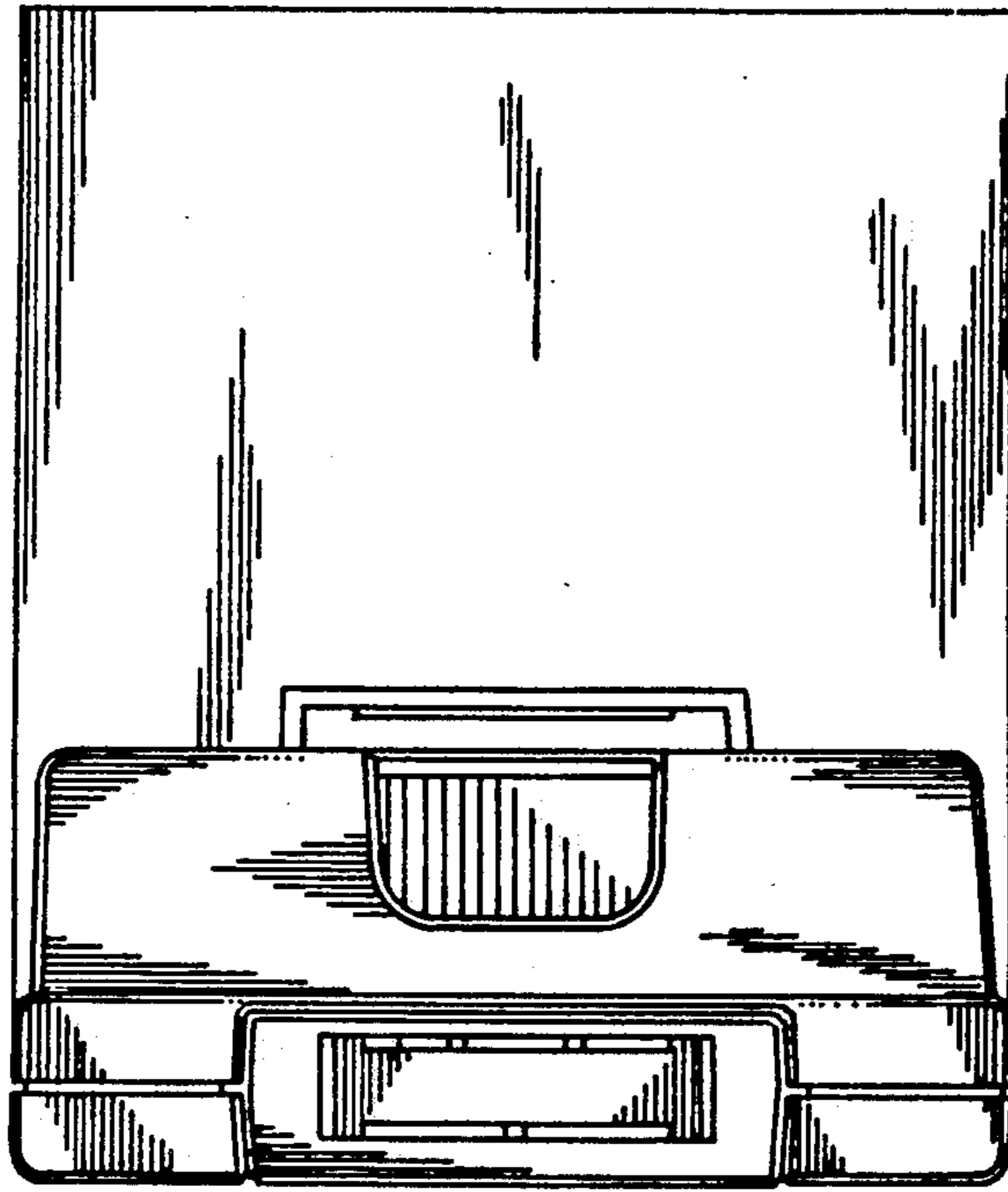


Fig. 4.

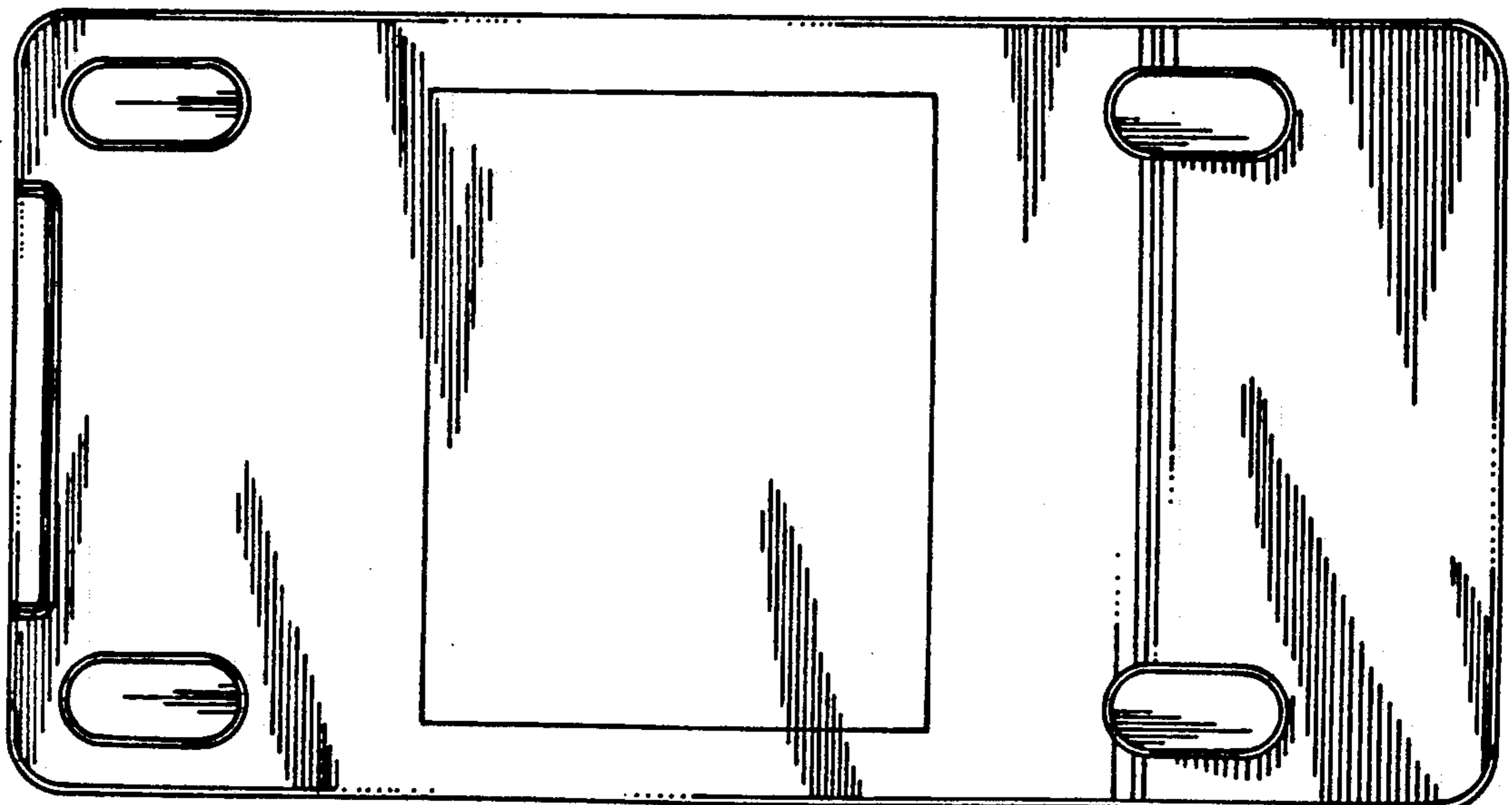


Fig.5.

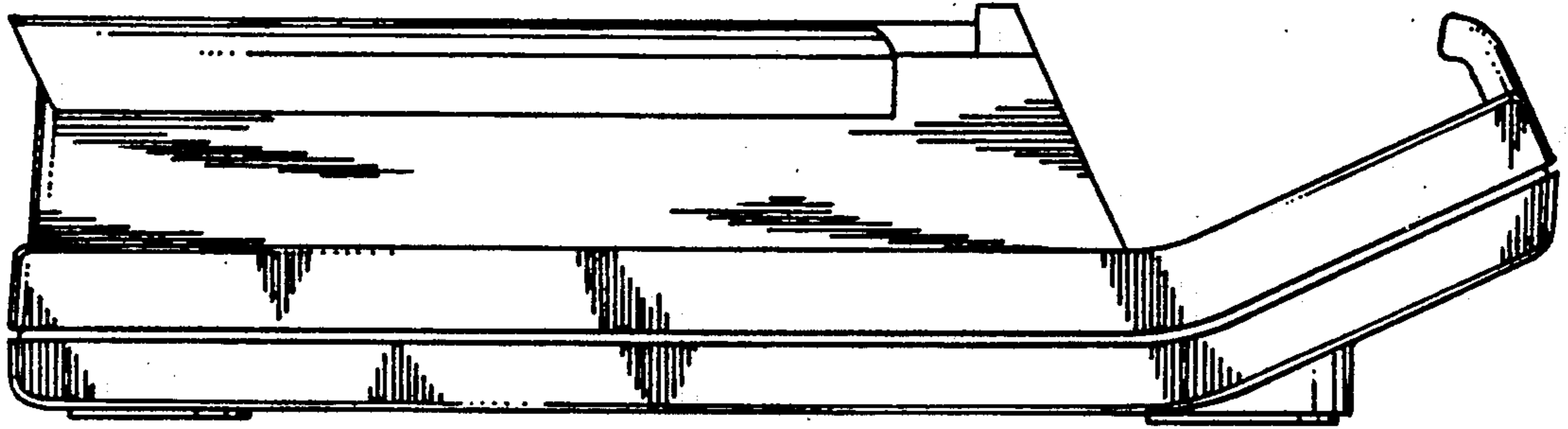


Fig.6.

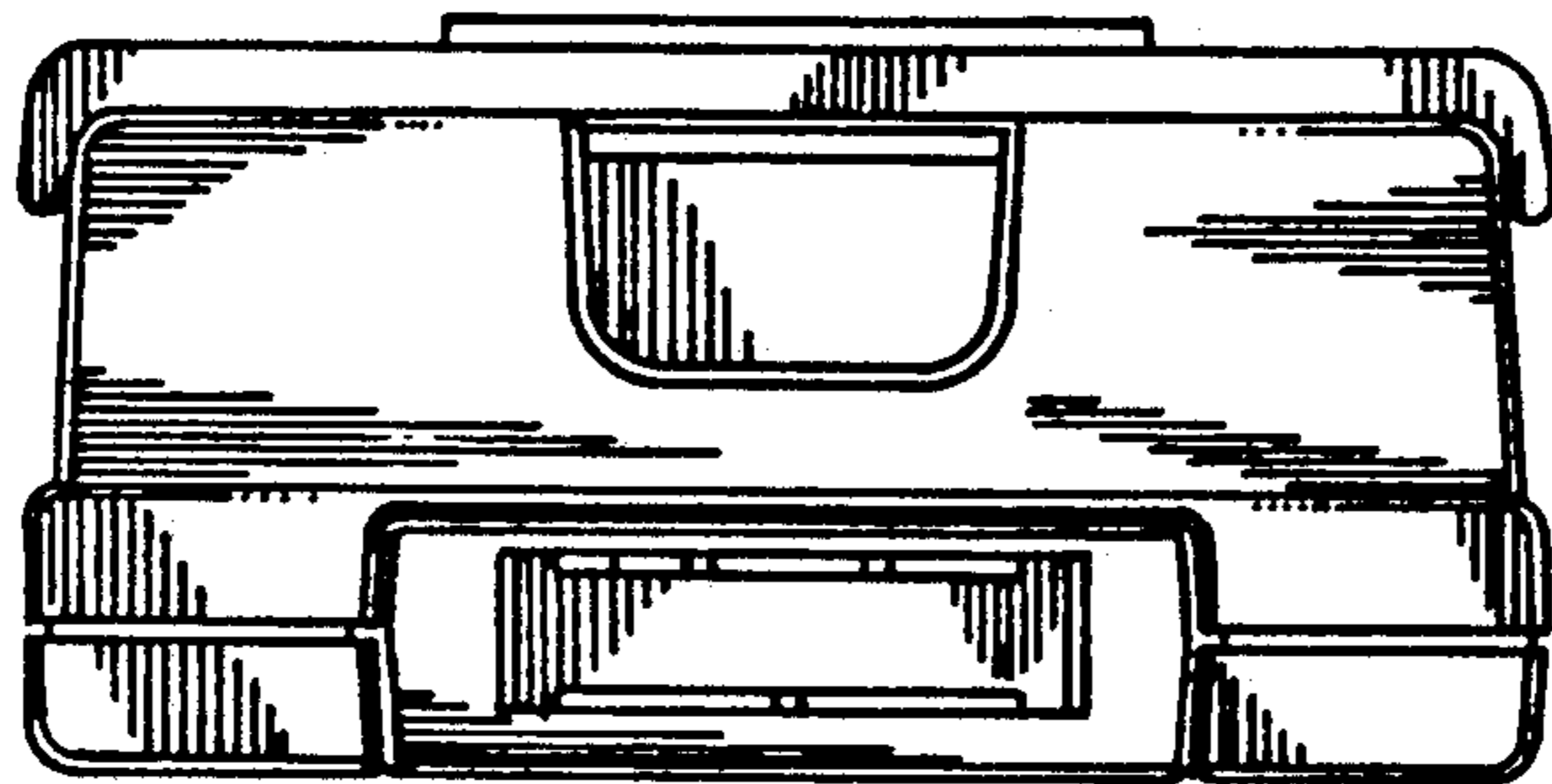
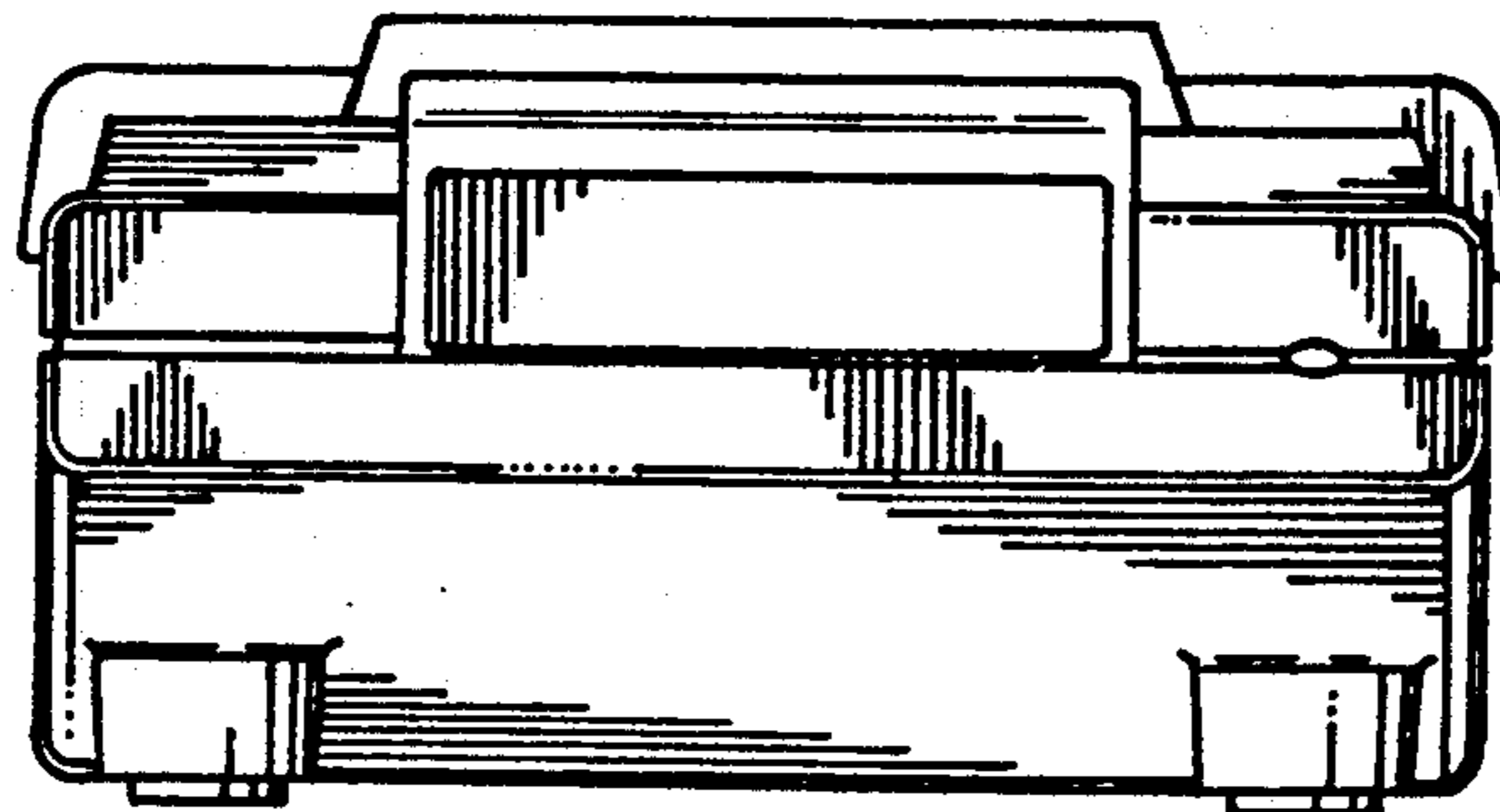


Fig.7.



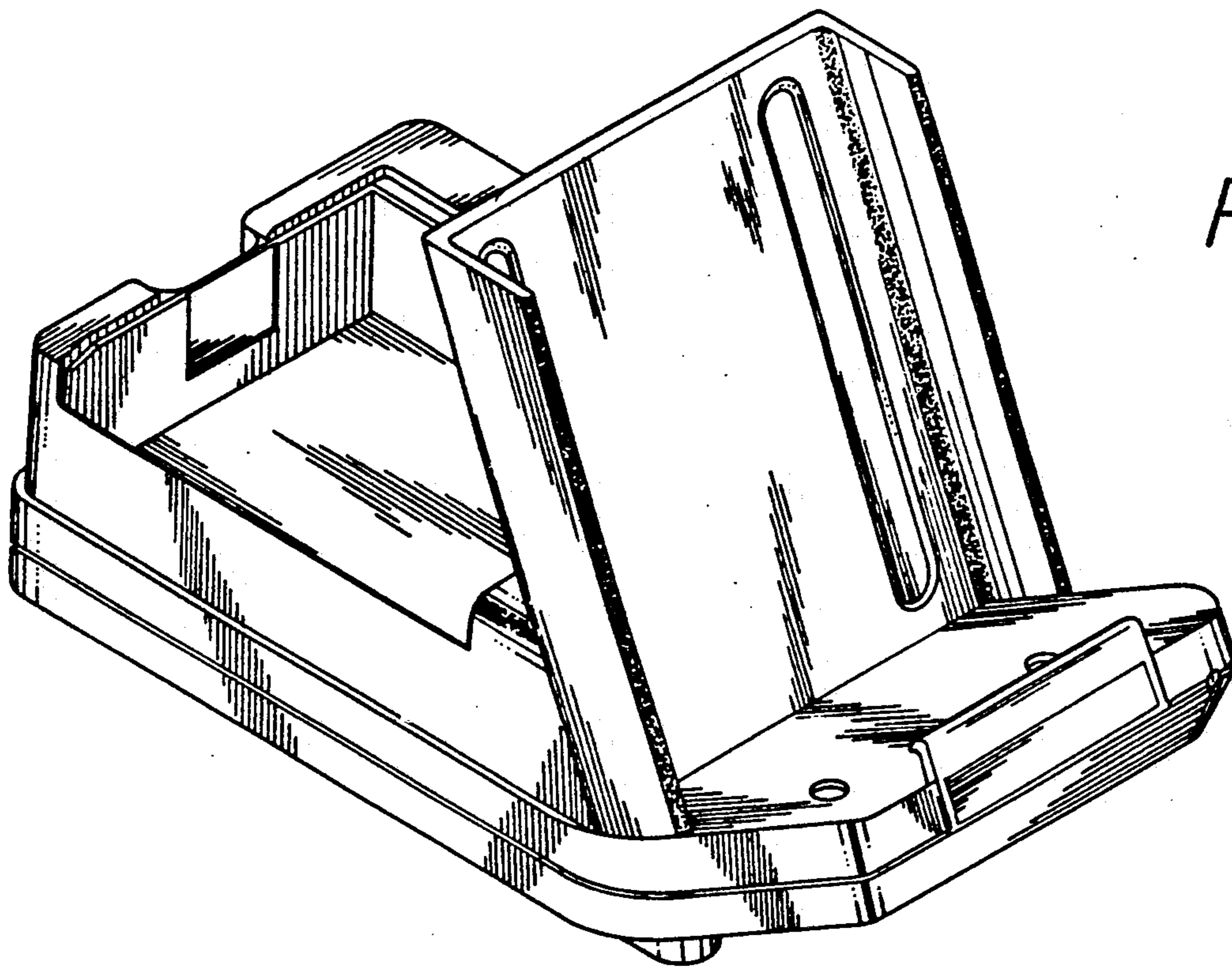


Fig. 8.

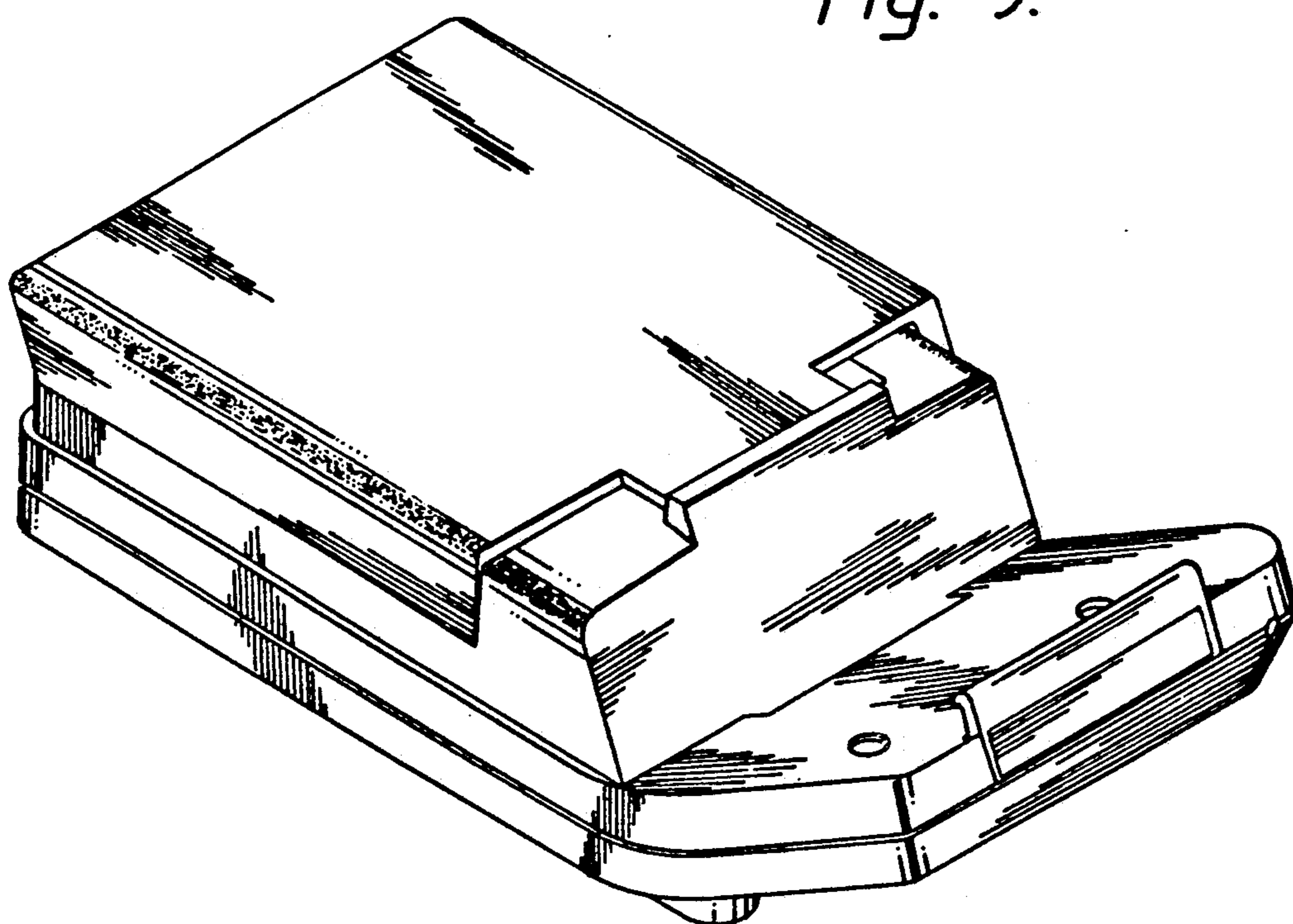


Fig. 9.