

[54] HOUSING FOR AN UNDER TELEPHONE EXTENSION REEL

4,311,883 1/1982 Kidney ..... 379/438 X  
4,718,085 1/1988 Haskins ..... 379/438

[75] Inventor: Paul S. Hepworth, Guildford, England

FOREIGN PATENT DOCUMENTS

0630860 12/1927 France ..... 379/438  
0093463 7/1981 Japan ..... 379/438  
6017544 1/1989 Japan ..... 379/438

[73] Assignee: Plas Plugs Limited, Burton on Trent, England

[\*\*] Term: 14 Years

Primary Examiner—Horace B. Fay, Jr.  
Attorney, Agent, or Firm—Charles E. Brown; Charles A. Brown

[21] Appl. No.: 404,439

[22] Filed: Sep. 8, 1989

[57] CLAIM

The ornamental design for a housing for an under telephone extension reel, as shown.

[30] Foreign Application Priority Data

Mar. 9, 1989 [GB] United Kingdom ..... 1057746

DESCRIPTION

[52] U.S. Cl. .... D14/251; 379/438

[58] Field of Search ..... D14/251, 252; 379/438

FIG. 1 is a top plan view of a housing for an under telephone extension reel showing my new design is closed posture;

[56] References Cited

U.S. PATENT DOCUMENTS

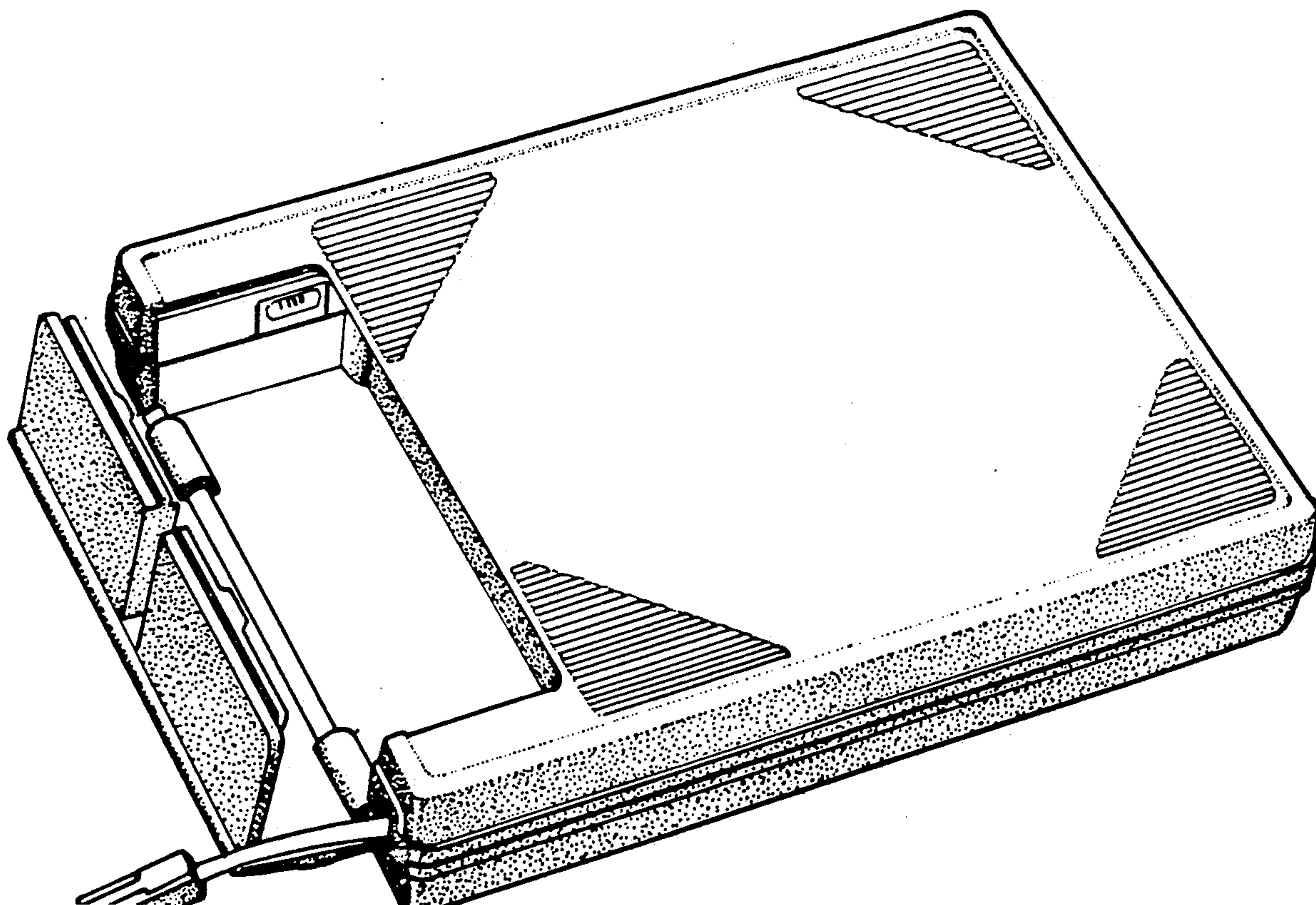
D. 296,761 7/1988 Mockell ..... 379/438 X  
1,737,978 12/1929 Sekell ..... 379/438 X  
1,865,069 6/1932 Allen ..... 379/438 X  
2,678,779 4/1954 Bellmer ..... D14/251 X  
3,483,898 12/1969 Tini ..... 379/438  
3,953,688 4/1976 Rocha ..... 379/438 X

FIG. 2 is a left side, top and front perspective view thereof in alternate, opened, posture;

FIG. 3 is a bottom plan view; and

FIG. 4 is a right side, bottom and rear perspective view thereof in a closed posture.

The broken line showing of the plug and truncated electric wire cord in the drawings is for illustrative purposes only and forms no part of the claimed design.



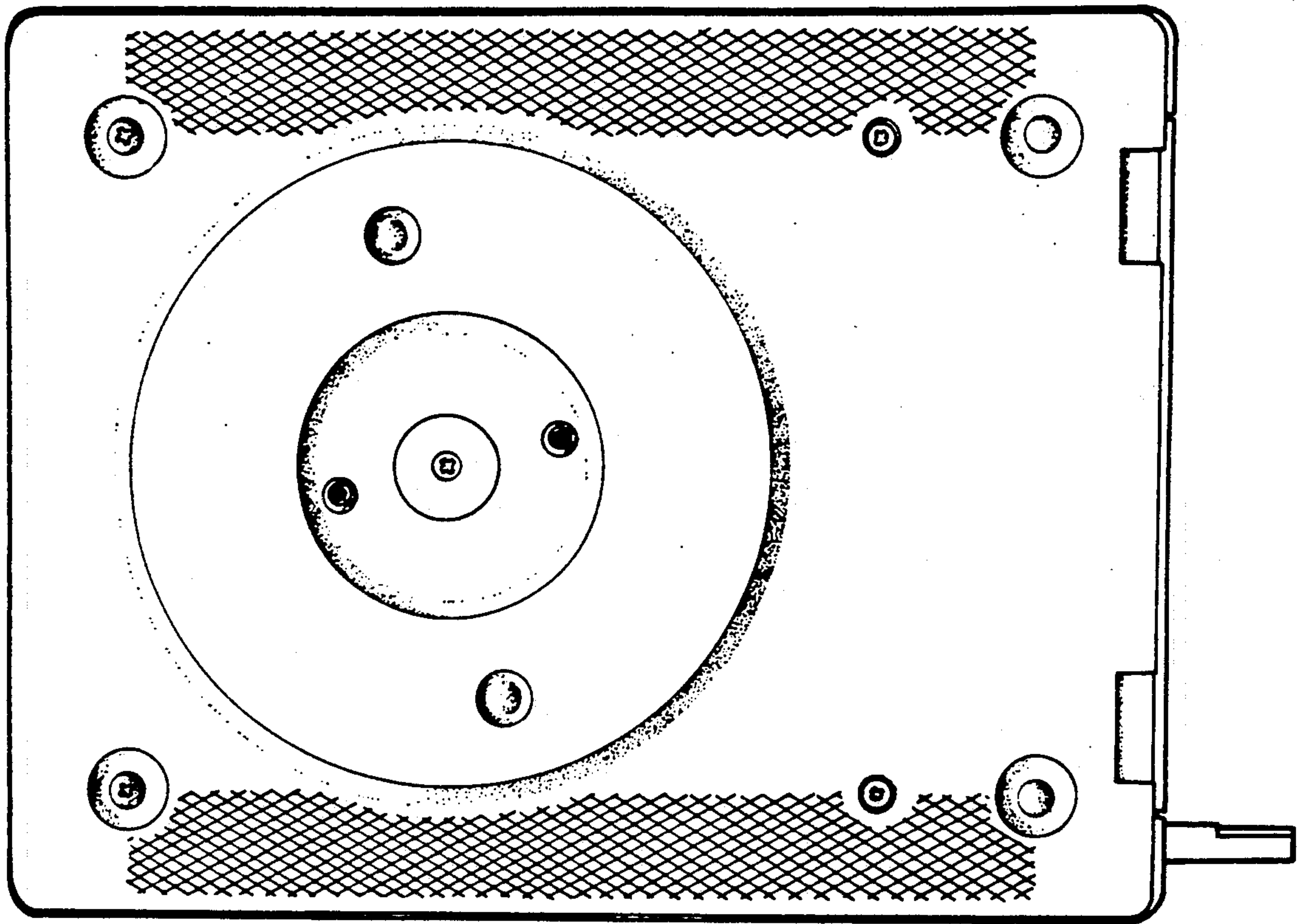


FIG. 3

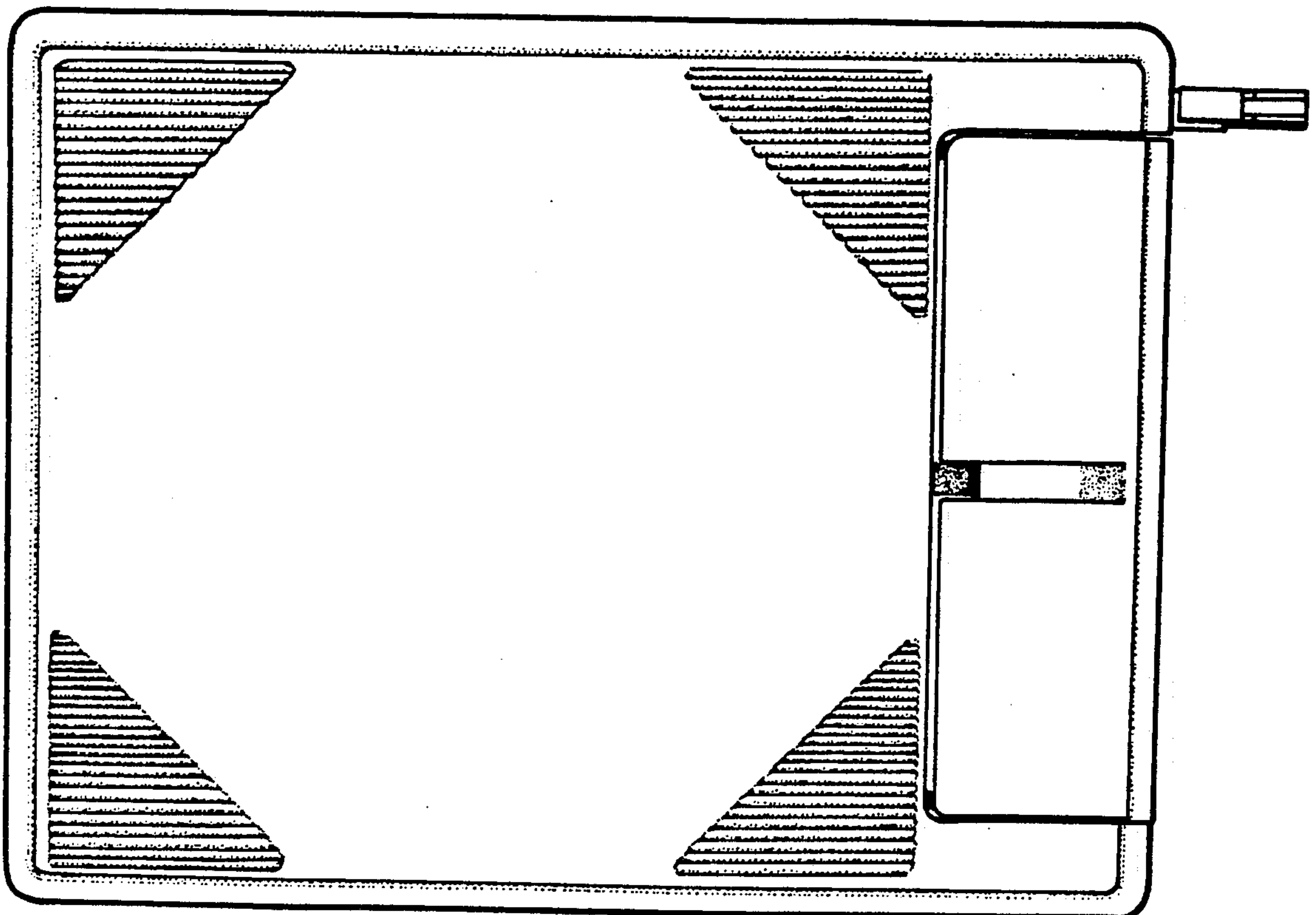


FIG. 1



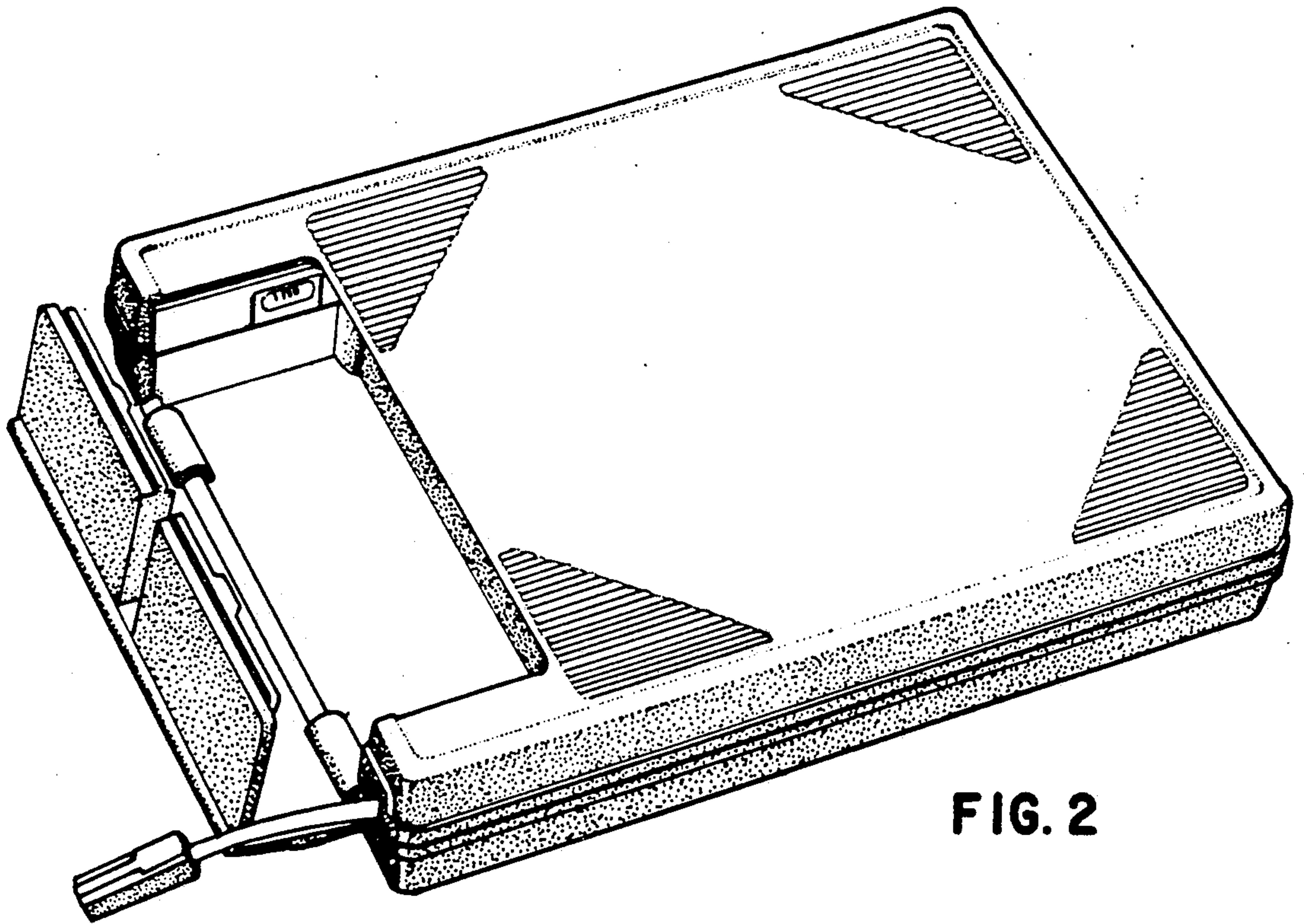


FIG. 2

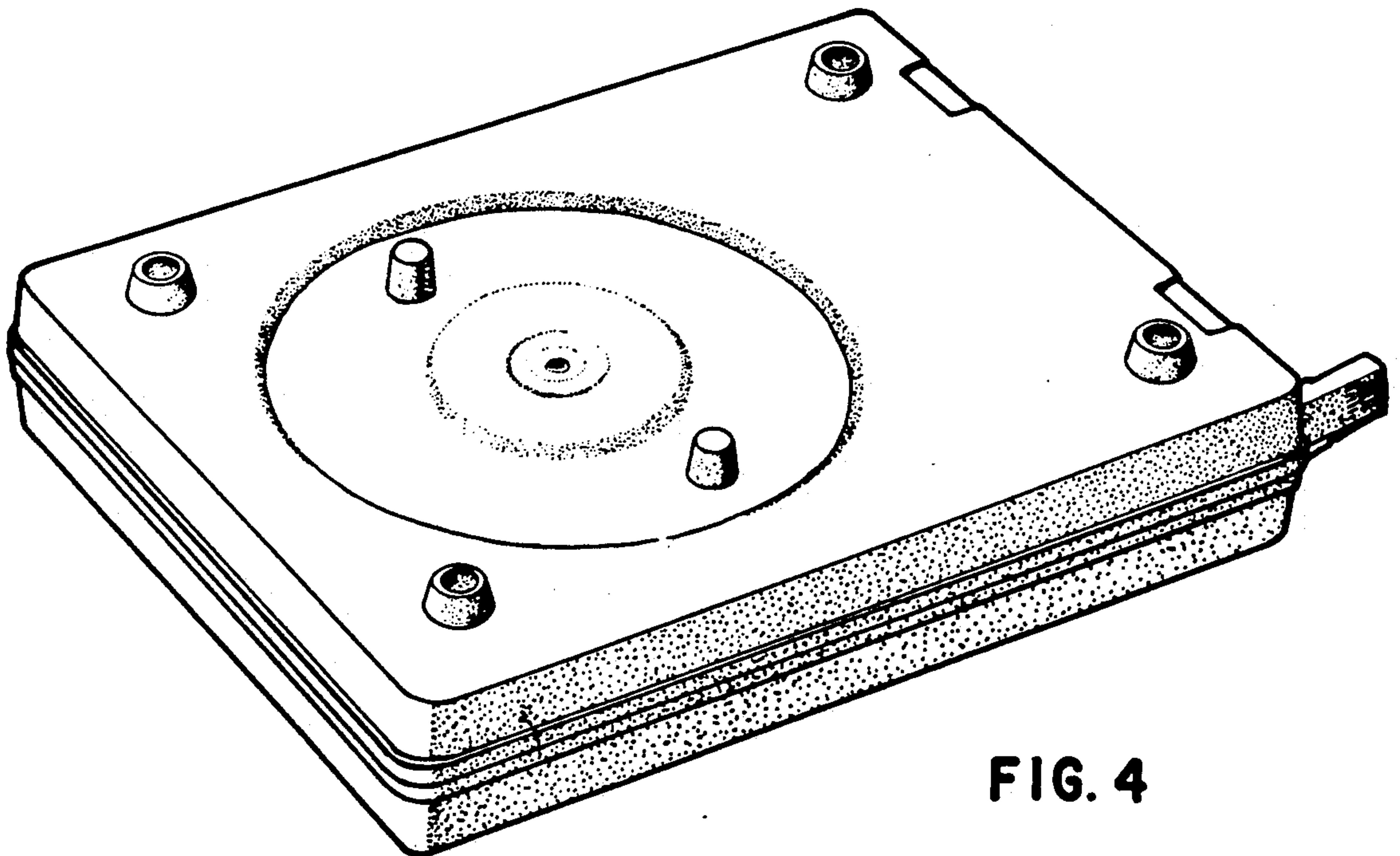


FIG. 4