

[54] VOICE TRANSLATOR

- [75] Inventor: Allen W. VanNoy, Bothell, Wash.
- [73] Assignee: Advanced Products and Technologies, Inc., Redmond, Wash.
- [**] Term: 14 Years
- [21] Appl. No.: 216,698
- [22] Filed: Jul. 5, 1988
- [52] U.S. Cl. D14/158
- [58] Field of Search D14/126, 137, 124, 156, D14/158, 160, 163, 165, 169, 191, 217, 299; D16/202; 434/319, 320, 321

[56] References Cited

U.S. PATENT DOCUMENTS

D. 299,451	1/1989	Ikeda	D14/158
D. 300,428	3/1989	Garmon	D14/158
D. 303,257	9/1989	Kawata et al.	D14/126
4,809,078	2/1989	Yabe et al.	D14/126

OTHER PUBLICATIONS

Radio Shack Catalog, 1982, p. 140, Designer Styled Radio.

Primary Examiner—Melvin B. Feifer
Assistant Examiner—Philip Hyder
Attorney, Agent, or Firm—Christensen, O'Connor, Johnson & Kindness

[57] CLAIM

The ornamental design for a voice translator, as shown and described.

DESCRIPTION

FIG. 1 is a perspective view of a voice translator showing my new design, with the lid in a closed position; FIG. 2 is a top plan view thereof; FIG. 3 is a front elevational view thereof; FIG. 4 is a right side elevational view thereof; and FIG. 5 is a top plan view thereof, with the lid in an open position.

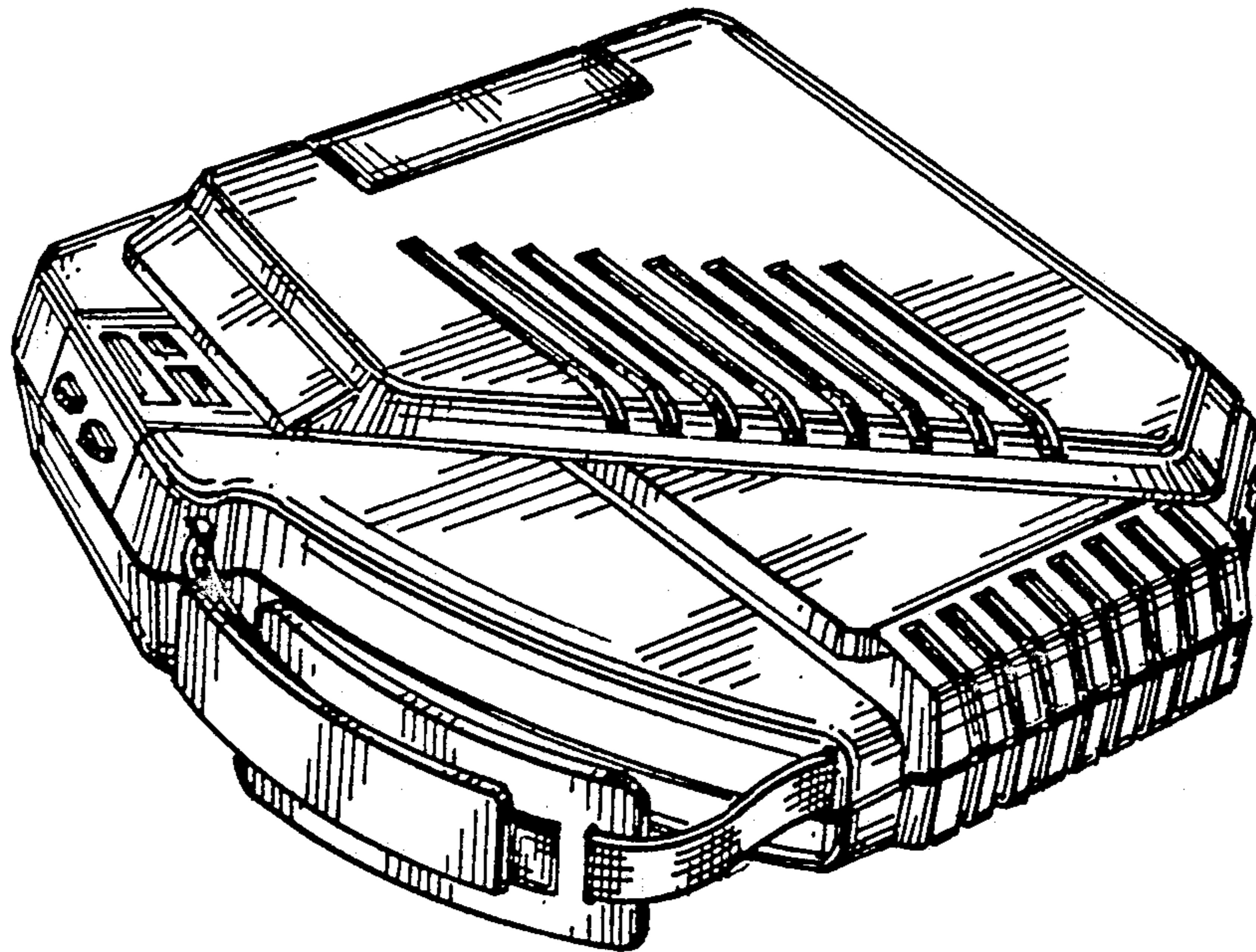


Fig. 1.

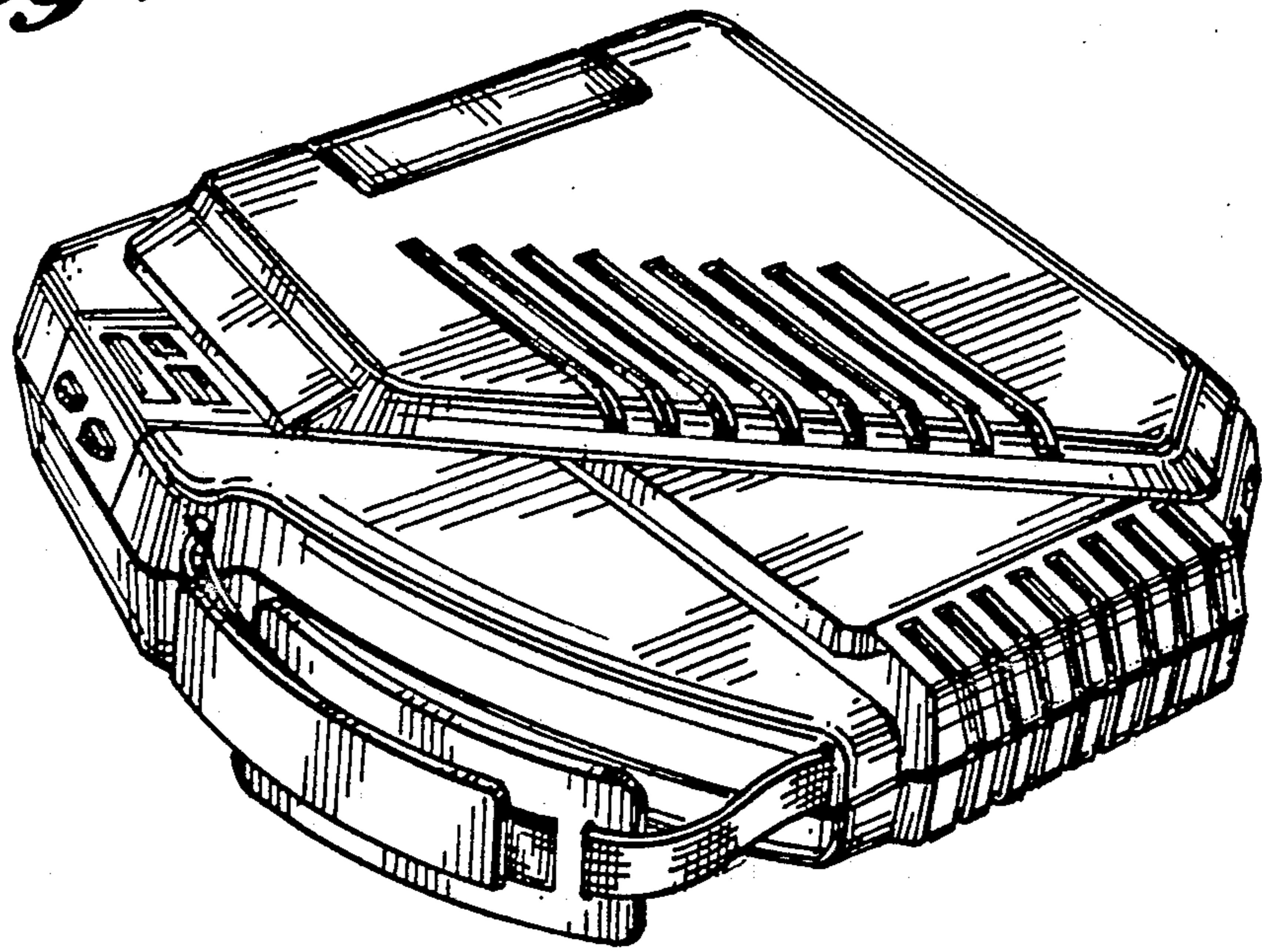
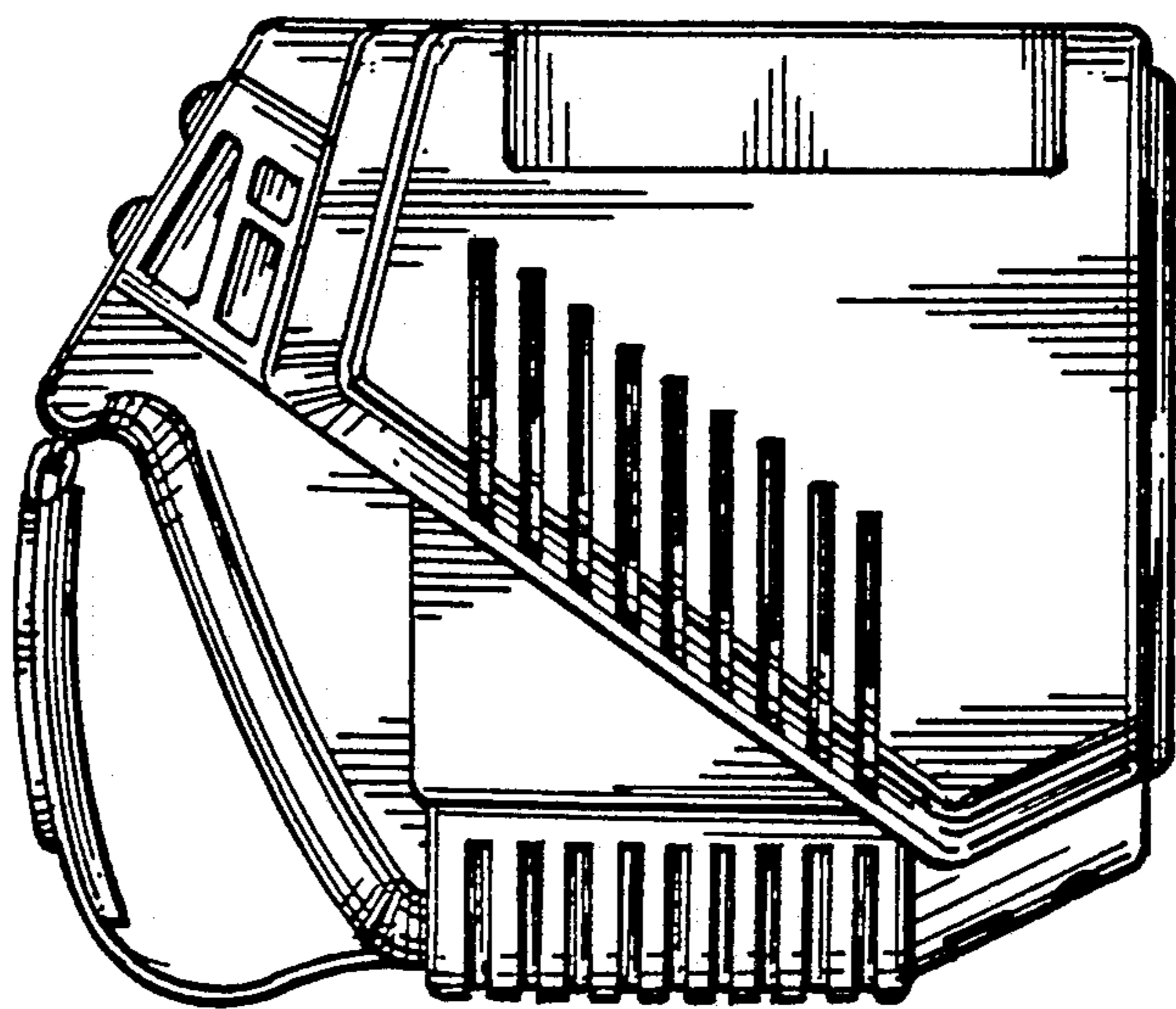


Fig. 2.



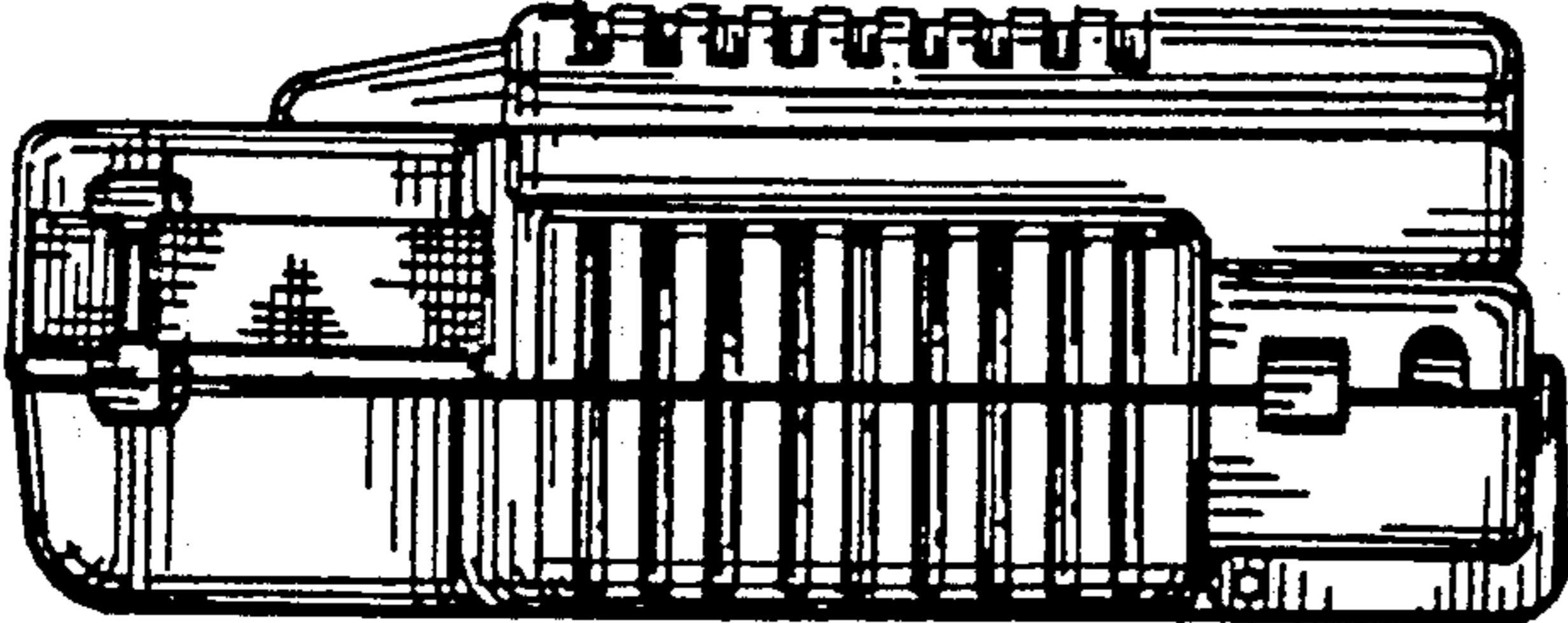


Fig. 3.

Fig. 4.

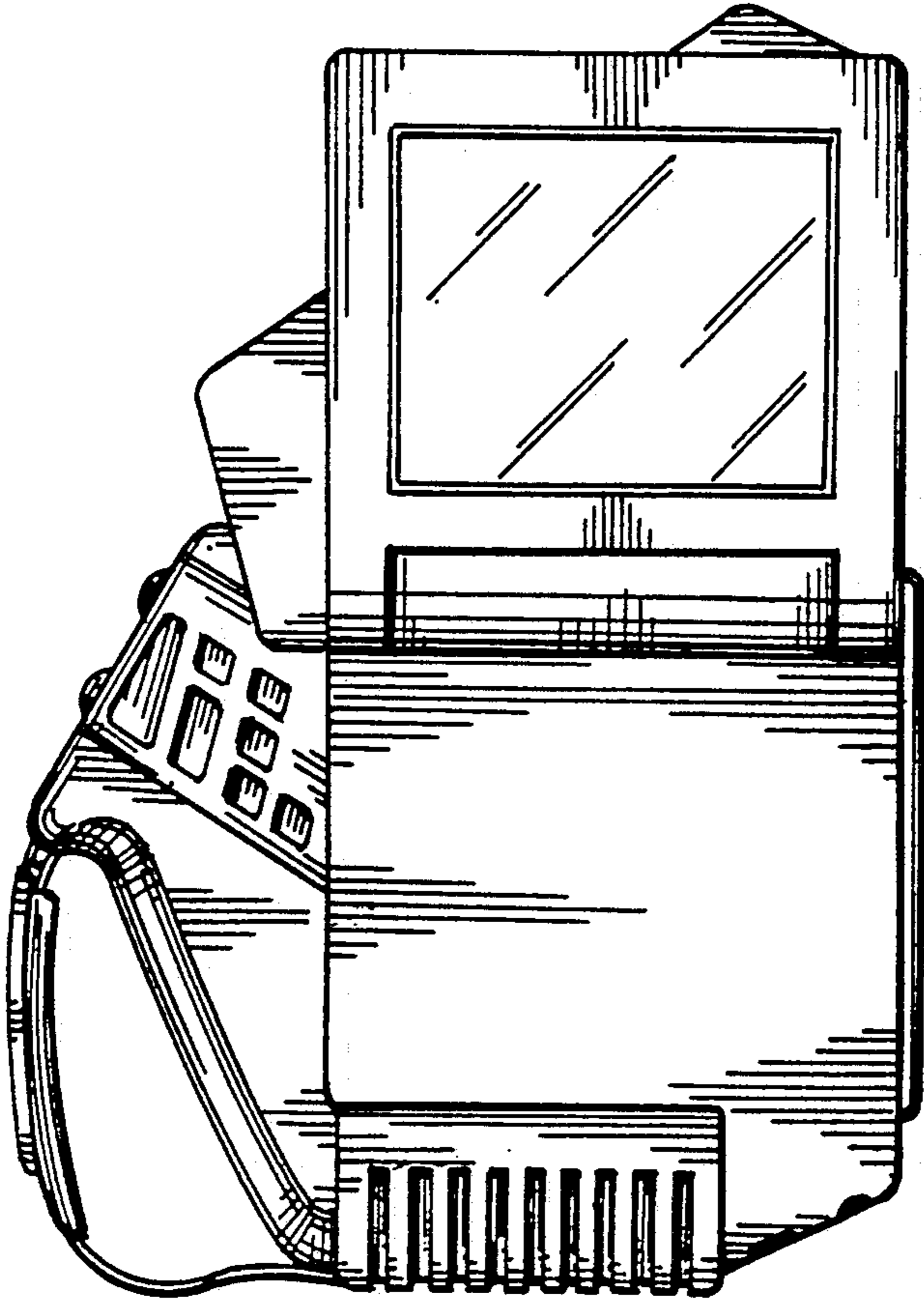
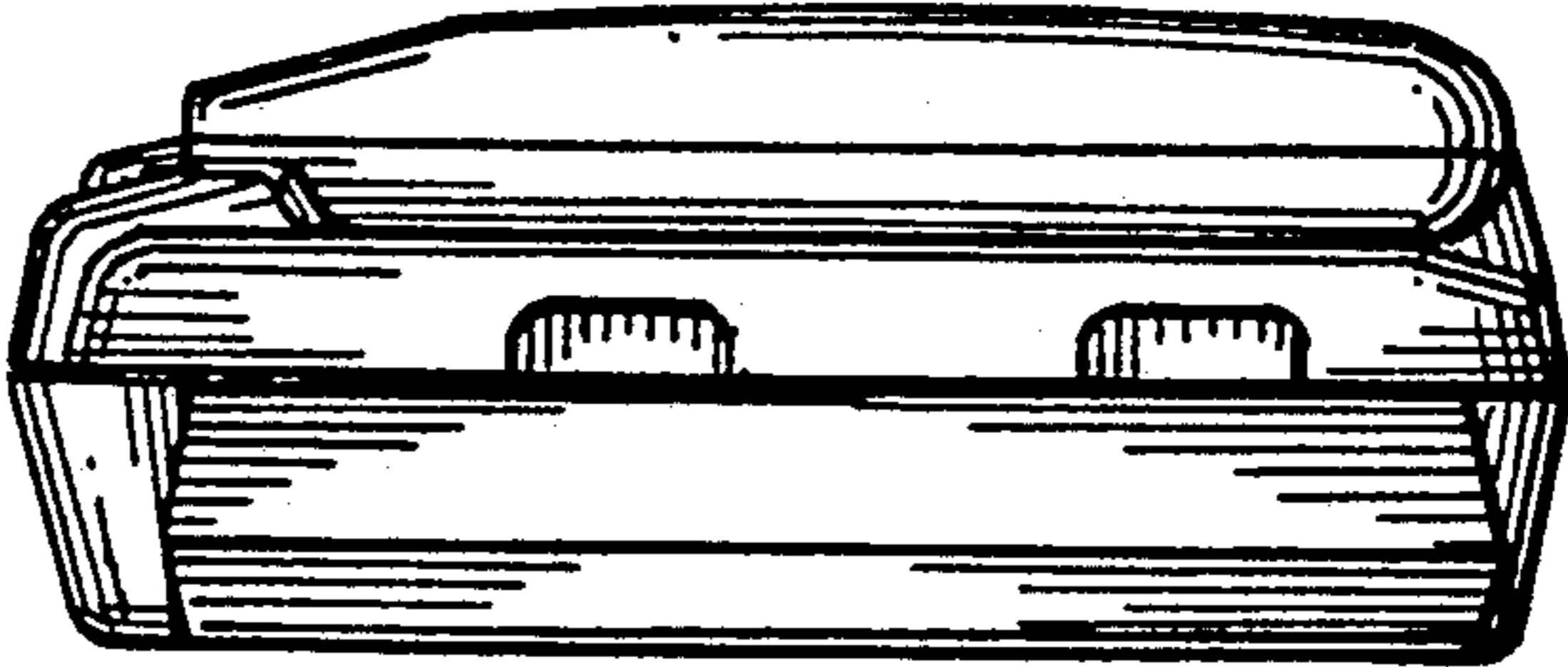


Fig. 5.