

- [54] CORDLESS HANDSET TELEPHONE
- [75] Inventor: David A. Sharbaugh, Irvine, Calif.
- [73] Assignee: PhoneMate, Torrance, Calif.
- [**] Term: 14 Years
- [21] Appl. No.: 437,974
- [22] Filed: Nov. 16, 1989
- [52] U.S. Cl. D14/138; D14/148; D14/248
- [58] Field of Search D14/248, 147, 138, 148, D14/151; 379/433, 58, 59, 435, 440; 455/89, 90

- D. 310,366 9/1990 Akailke et al. D14/148 X
- 3,521,008 7/1970 Tyson D14/148 X

OTHER PUBLICATIONS

Electronics, Jun., 1990; Motorola's Cellular Telephone; Model Micro T-A.

Primary Examiner—Horace B. Fay, Jr.
Attorney, Agent, or Firm—Lewis Anten

[57] CLAIM

The ornamental design for a cordless handset telephone, as shown and described.

DESCRIPTION

FIG. 1 is a left side, front and bottom perspective view of a cordless handset telephone showing my new design, with antenna extended;

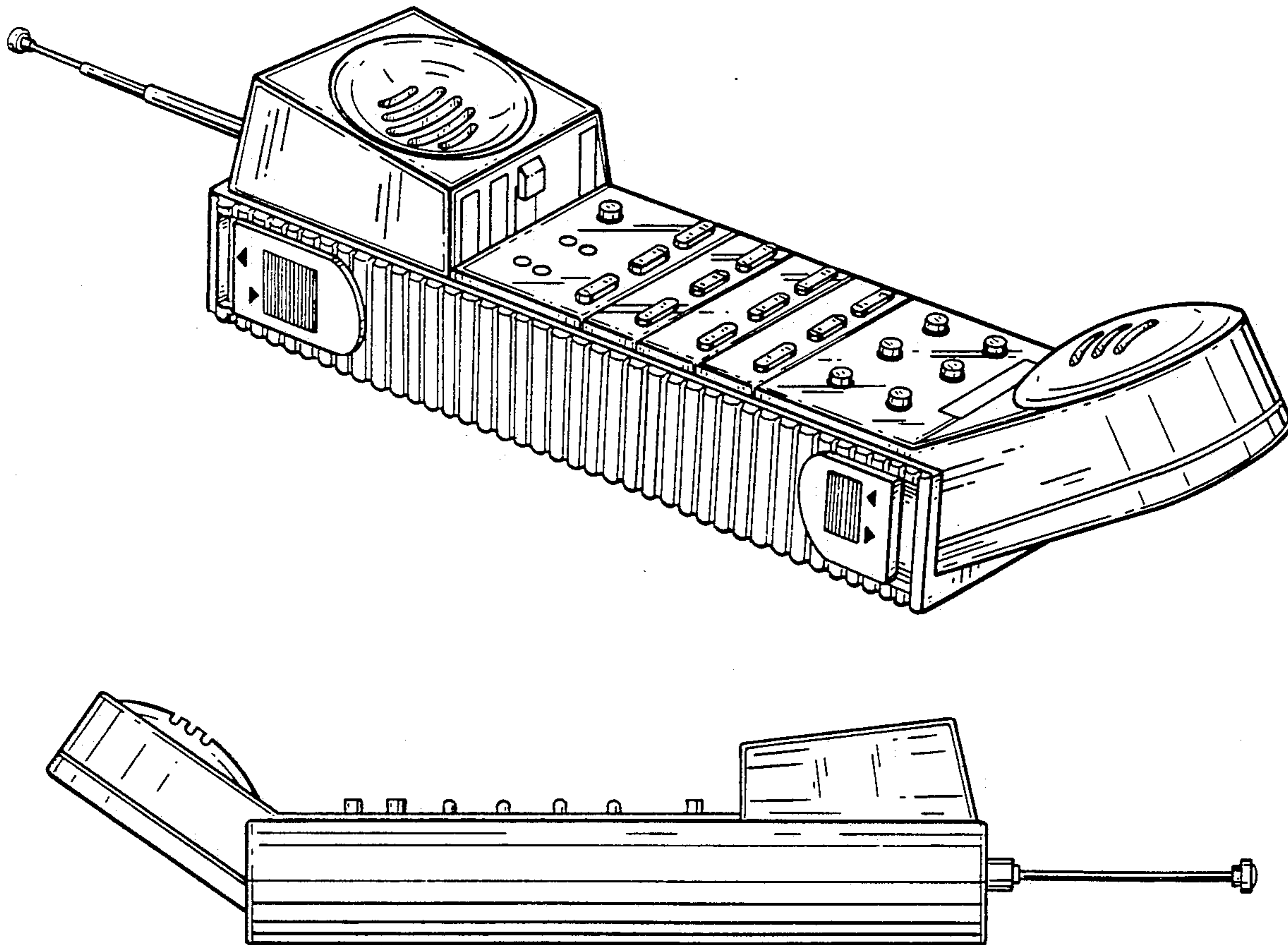
FIGS. 2 and 3 are respectively front and rear elevational views thereof; with antenna contracted;

FIGS. 4 and 5 are respectively left and right side elevational views thereof, with antenna partially contracted; and

FIGS. 6 and 7 are respectively bottom and top plan view thereof.

[56] References Cited
U.S. PATENT DOCUMENTS

- D. 286,877 4/1986 Powell D14/148 X
- D. 298,033 10/1988 Hotsumi et al. D14/147 X
- D. 298,036 10/1988 Watanabe D14/138
- D. 298,751 11/1988 Shim D14/147 X
- D. 299,026 12/1988 Ieno D14/148
- D. 302,156 7/1989 Takahashi et al. D14/248 X
- D. 305,888 2/1990 Bevilacqua D14/147 X
- D. 306,291 2/1990 Watanabe et al. D14/138
- D. 309,898 8/1990 Azpertia D14/148



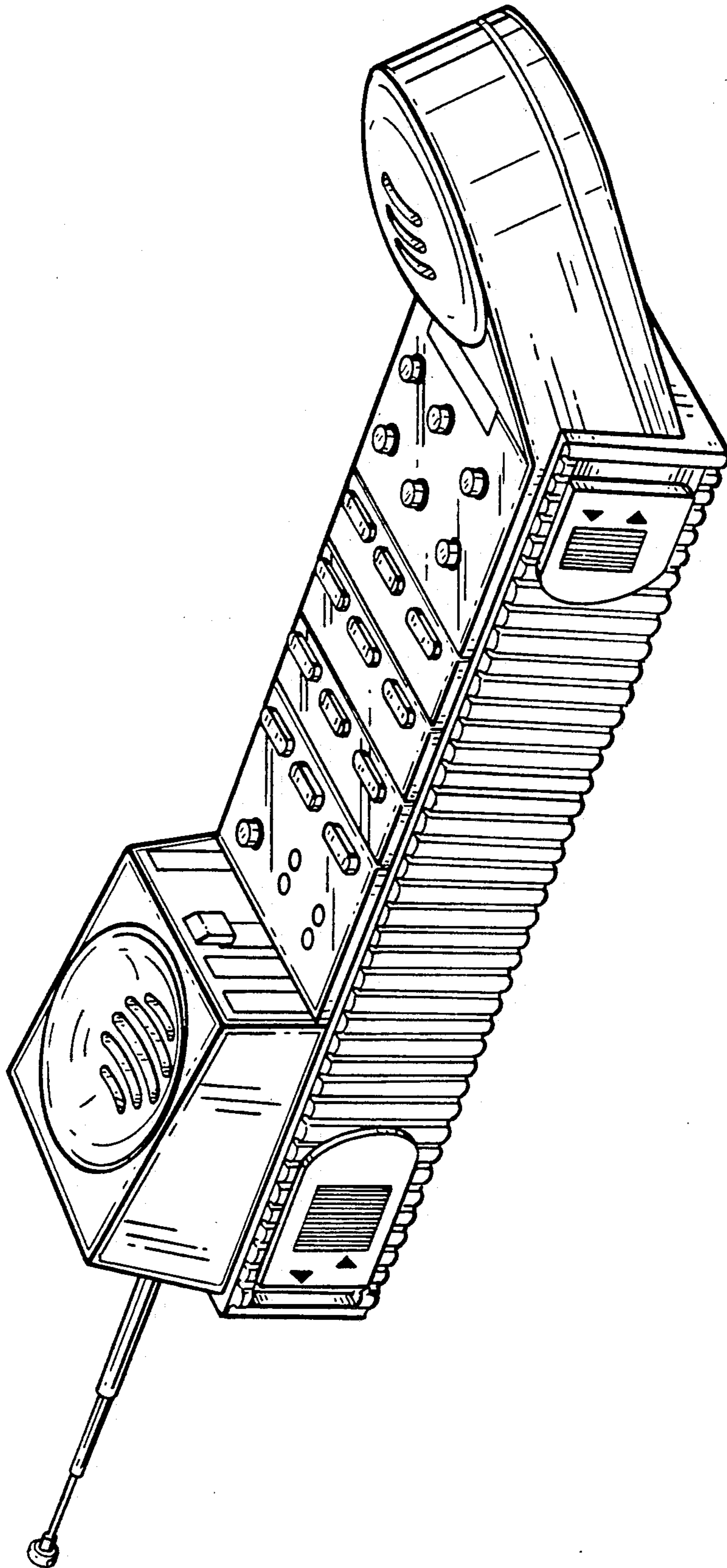


FIG.1

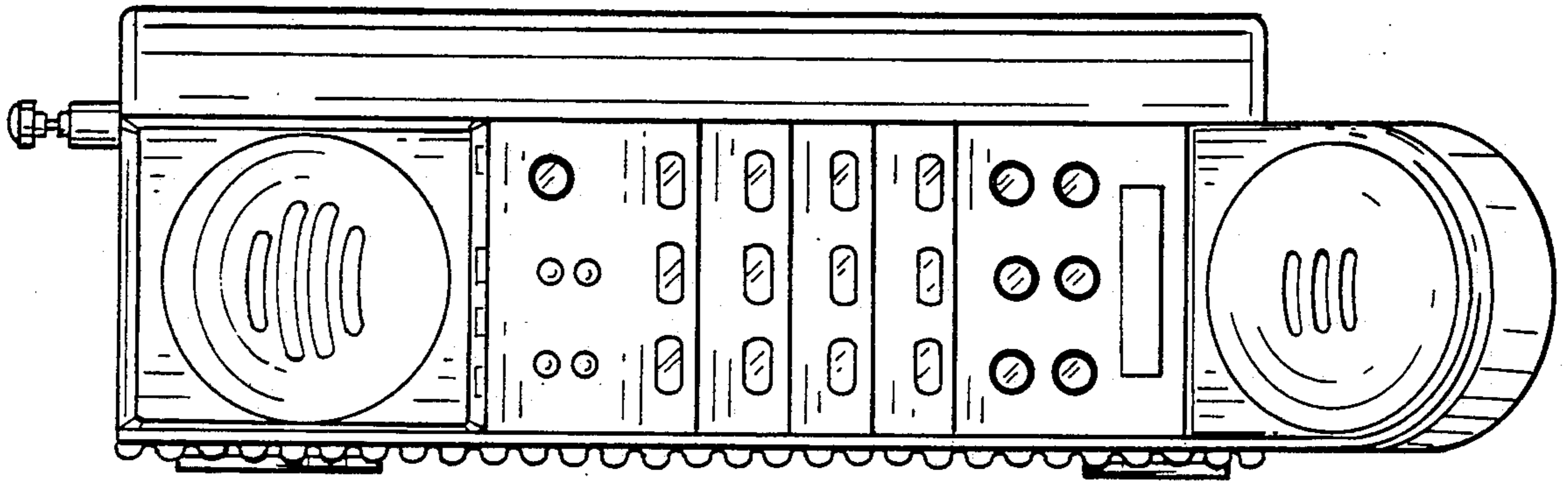


FIG. 2

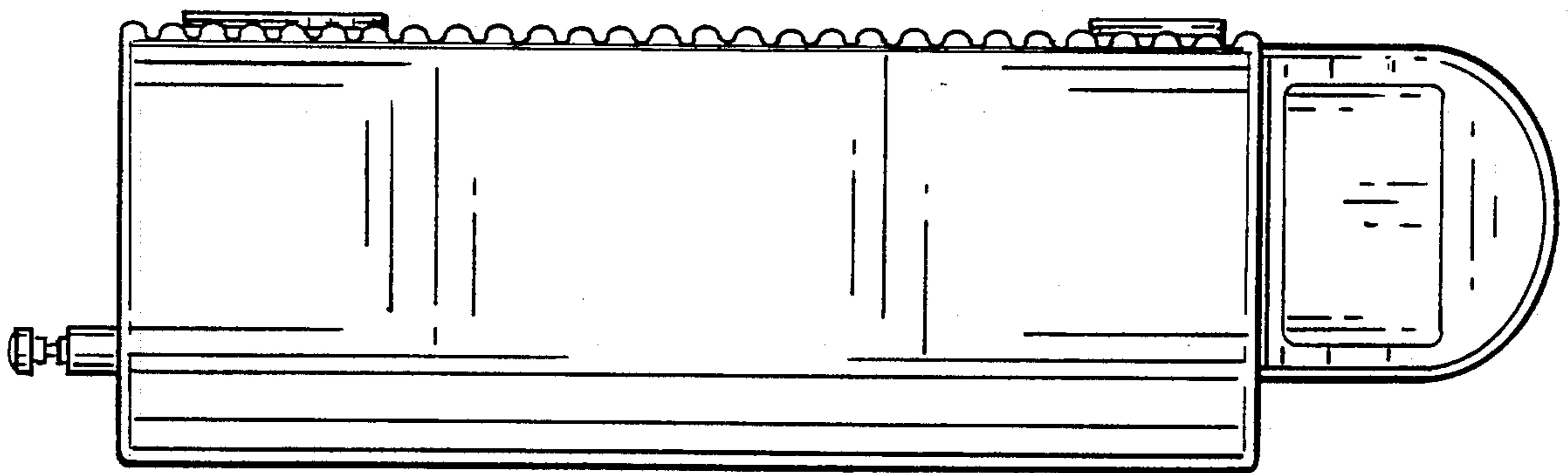


FIG. 3

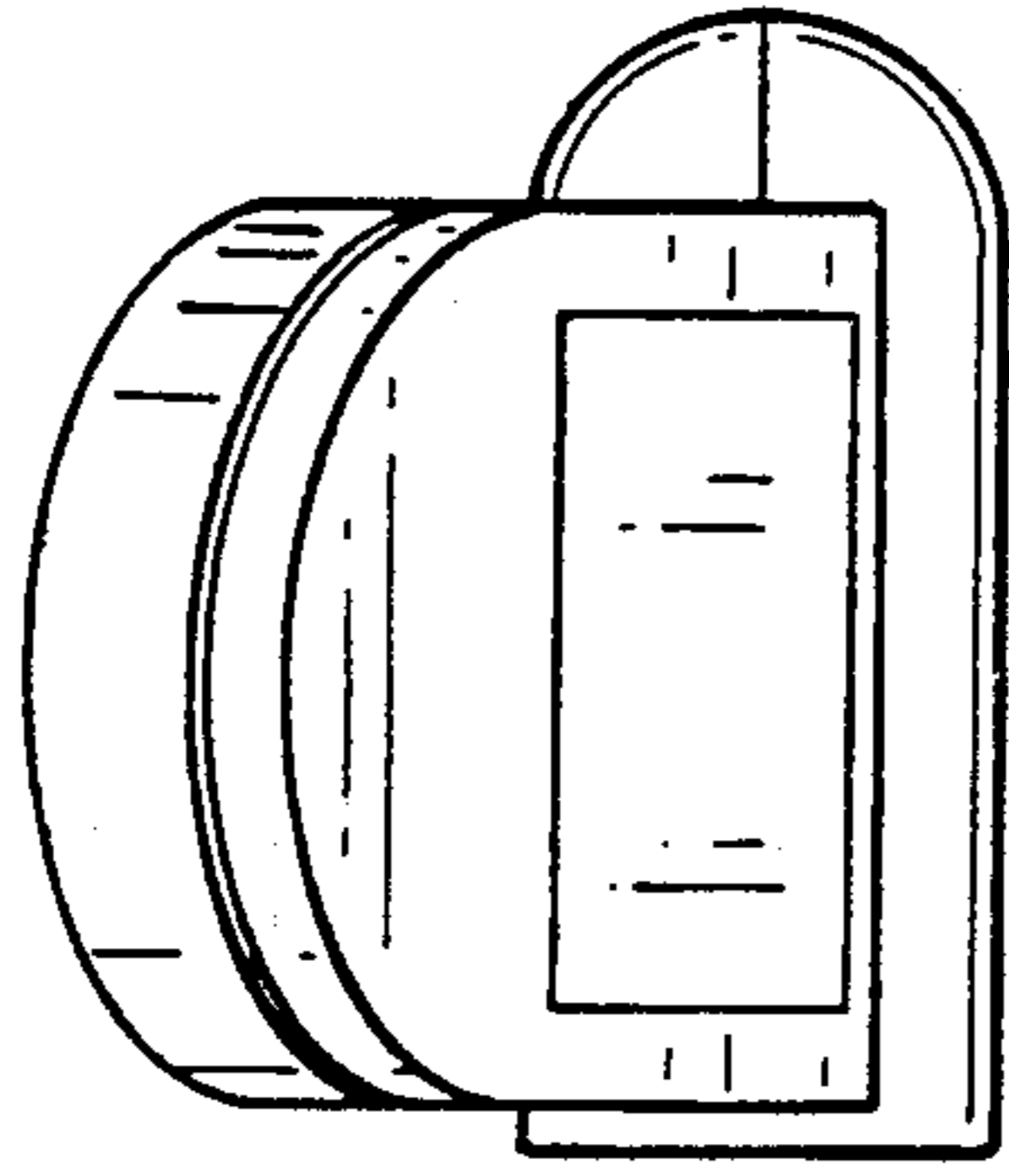


FIG. 6

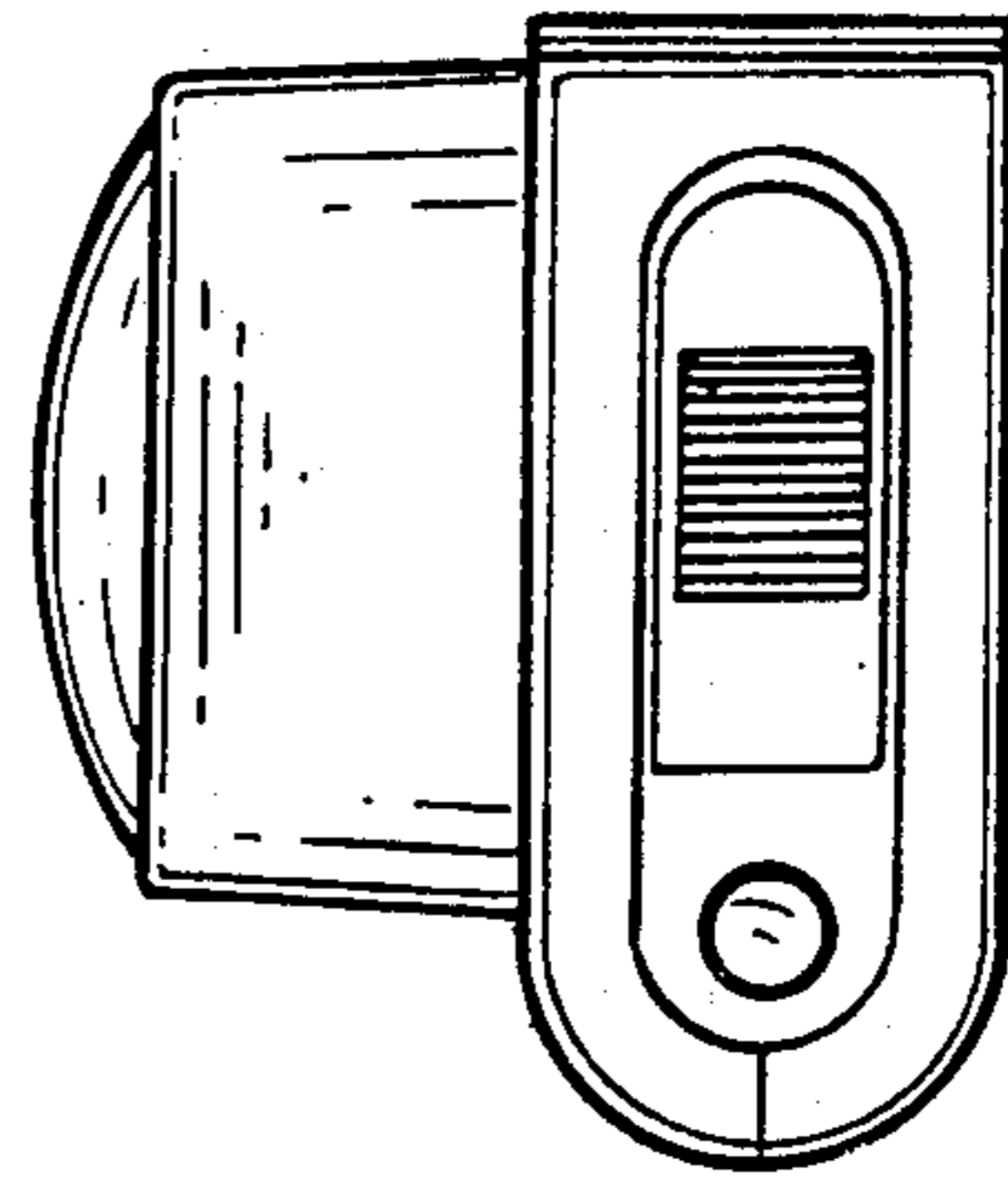


FIG. 7

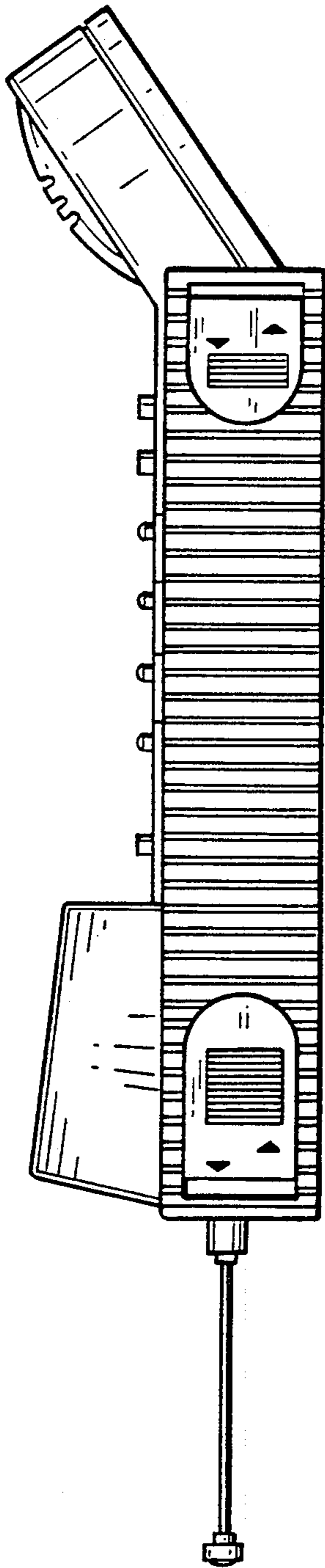


FIG. 4

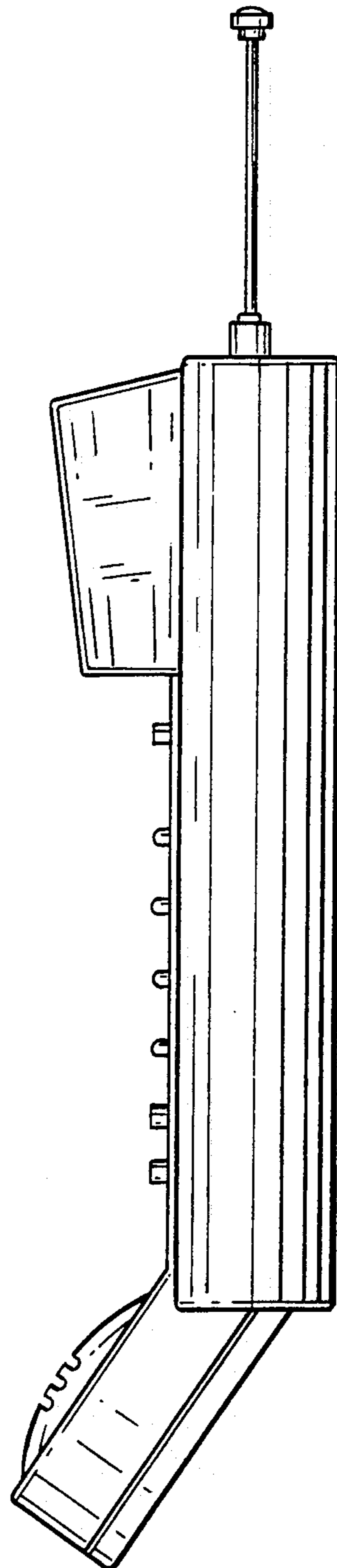


FIG. 5