

[54] AUDIO CASSETTE

[75] Inventor: Fuyuki Yonehara, Tokyo, Japan

[73] Assignee: Fuji Photo Film Co., Ltd., Kanagawa, Japan

[\*\*] Term: 14 Years

[21] Appl. No.: 291,877

[22] Filed: Dec. 29, 1988

[30] Foreign Application Priority Data

Jun. 29, 1988 [JP] Japan ..... 63-25956  
 [52] U.S. Cl. .... D14/121  
 [58] Field of Search ..... D14/120-121,  
 D14/299, 144; 242/71.8, 197-199; 360/132;  
 206/387

[56] References Cited

U.S. PATENT DOCUMENTS

4,452,408 6/1984 Sasaki ..... 242/199

Primary Examiner—Bernard Ansher  
Assistant Examiner—Terry A. Pfeffer  
Attorney, Agent, or Firm—Young & Thompson

[57] CLAIM

The ornamental design for an audio cassette, as shown.

DESCRIPTION

FIG. 1 is a perspective view of an audio cassette showing my new design;  
 FIG. 2 is a front elevational view thereof;  
 FIG. 3 is a rear elevational view thereof;  
 FIG. 4 is a top plan view thereof;  
 FIG. 5 is a bottom plan view thereof;  
 FIG. 6 is a right side elevational view thereof; and  
 FIG. 7 is a left side elevational view thereof.

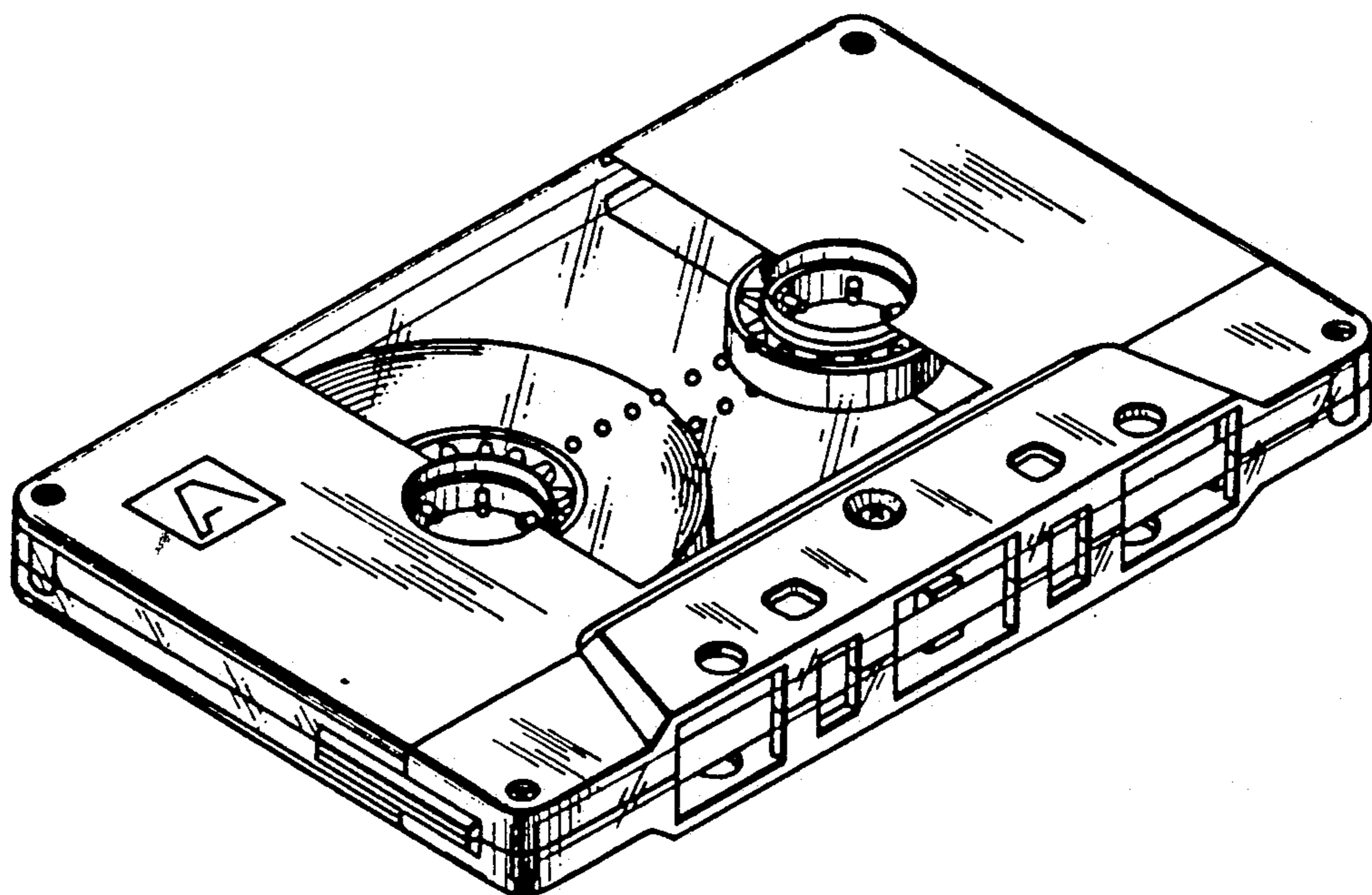


FIG. 1

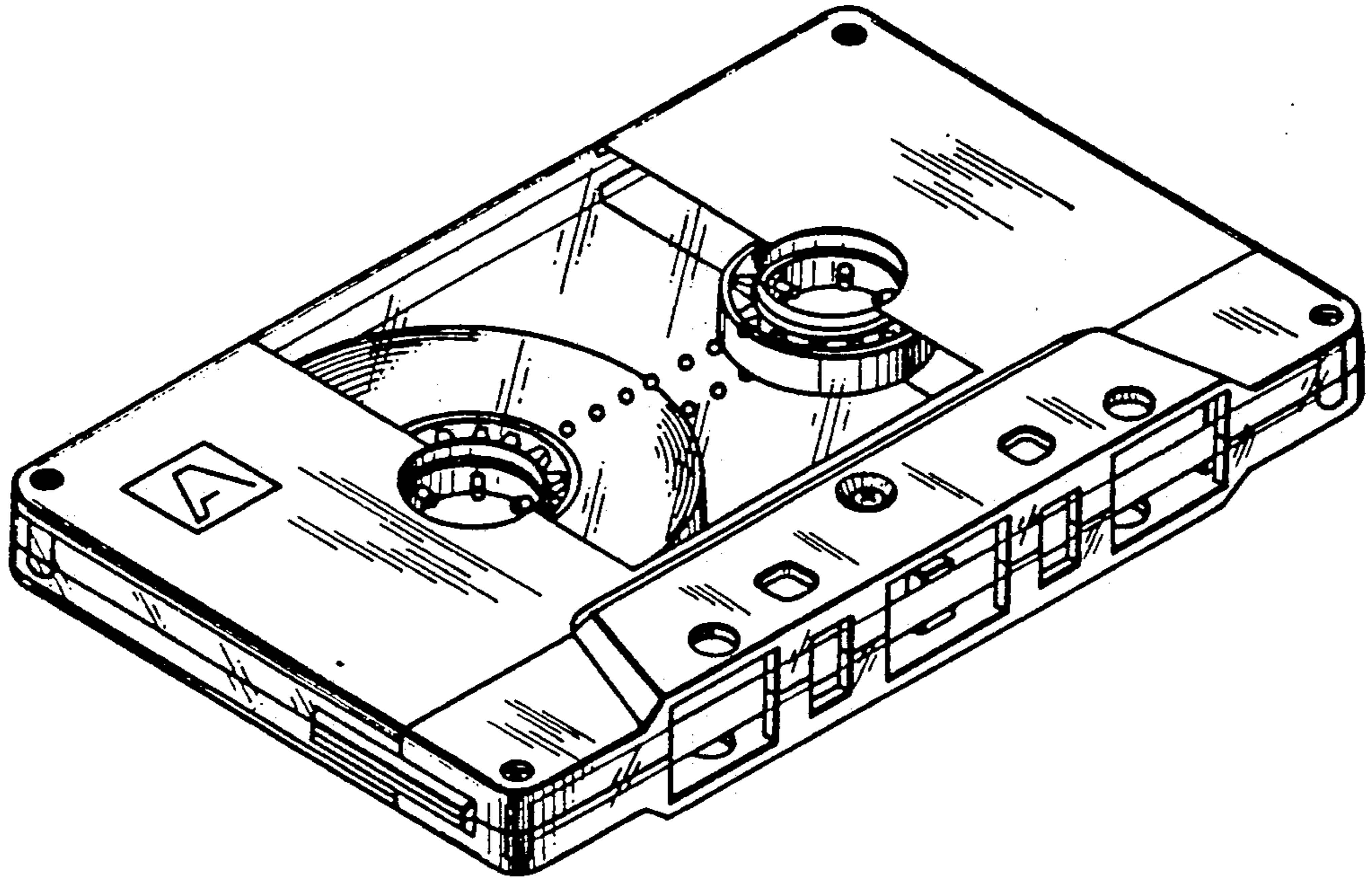


FIG. 2

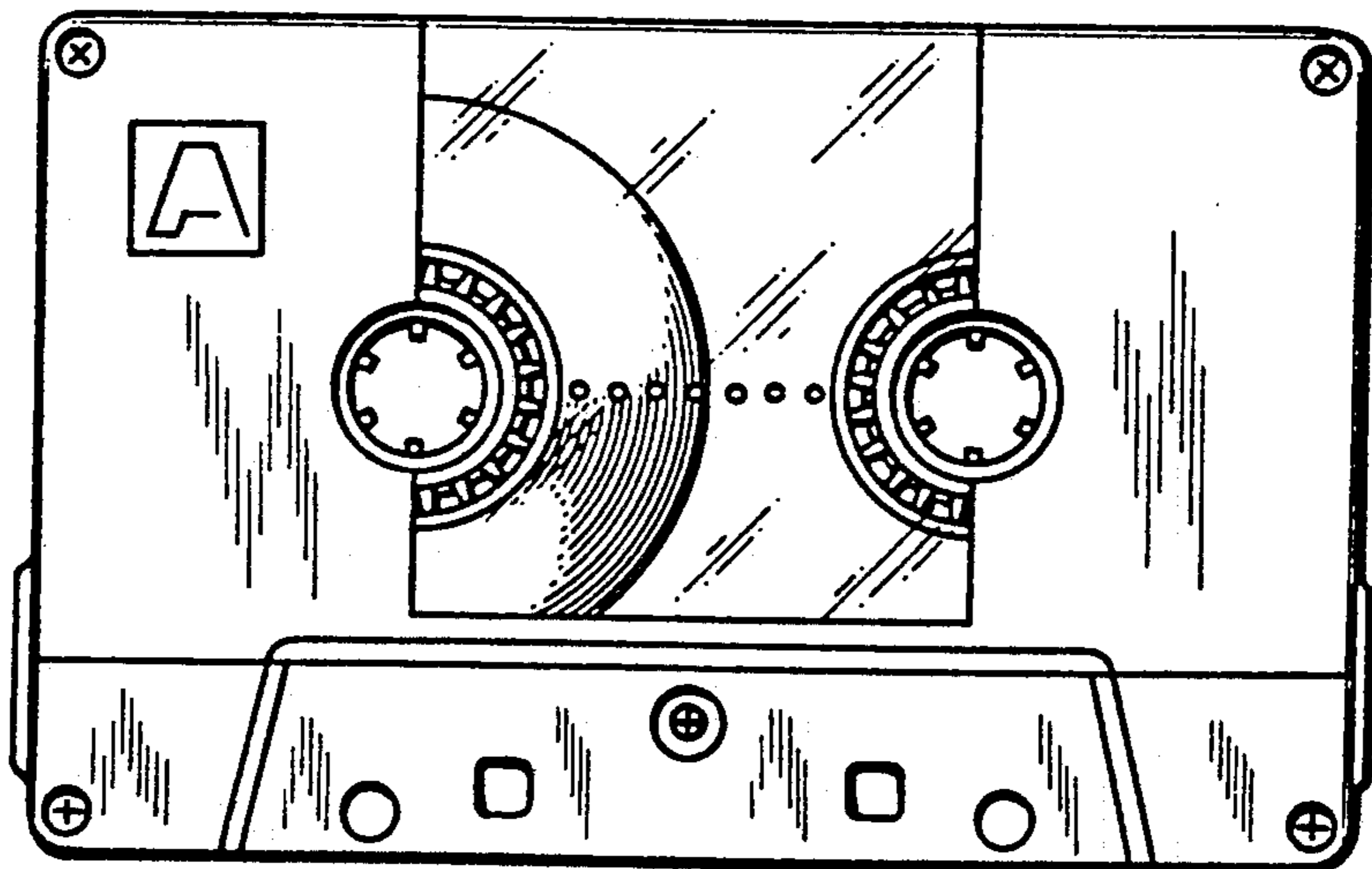


FIG. 3

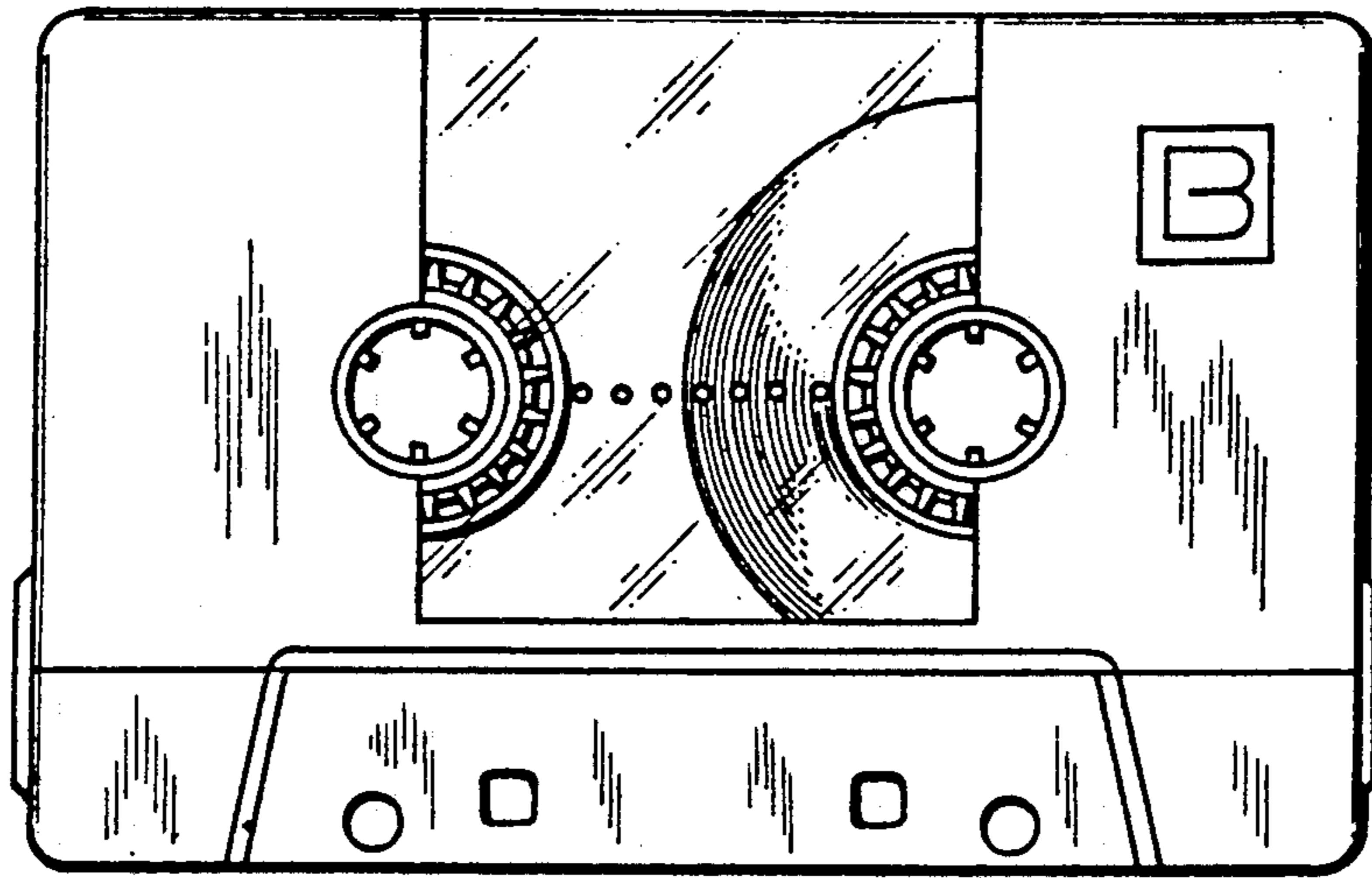


FIG. 4

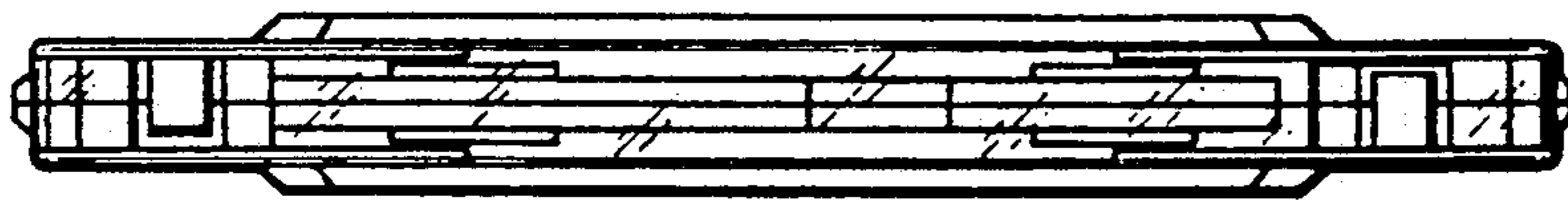


FIG. 5



FIG. 7



FIG. 6

