

[54] HOUSING FOR AN ELECTRICAL CONNECTOR

[75] Inventor: Hitoshi Sakai, Gotenba, Japan

[73] Assignee: Yazaki Corporation, Japan

[**] Term: 14 Years

[21] Appl. No.: 255,526

[22] Filed: Oct. 7, 1988

[30] Foreign Application Priority Data

Apr. 7, 1988 [JP] Japan 63-13736

[52] U.S. Cl. D13/146

[58] Field of Search D13/133, 146, 147; 439/353, 344, 357, 544, 550, 571, 572, 586, 587, 595, 603, 660, 682, 685, 686, 687, 695, 696, 701

[56] References Cited

U.S. PATENT DOCUMENTS

D. 241,942	10/1976	Sheesley et al.	D13/147
D. 279,978	8/1985	Inoue et al.	D13/147
3,325,769	6/1967	Travis	D13/147 X
3,366,729	1/1968	Pauza	D13/147 X
3,825,882	1/1974	Tucker	439/858 X
4,449,767	5/1984	Weidler	439/357 X
4,813,889	3/1989	Mobley et al.	439/595

FOREIGN PATENT DOCUMENTS

2715522 10/1977 Fed. Rep. of Germany 439/687

OTHER PUBLICATIONS

FIG. 2 in IBM Technical Disclosure Bulletin, vol. 29, No. 2, Jul. 1986, Located in 439-701, Non-patent literature.

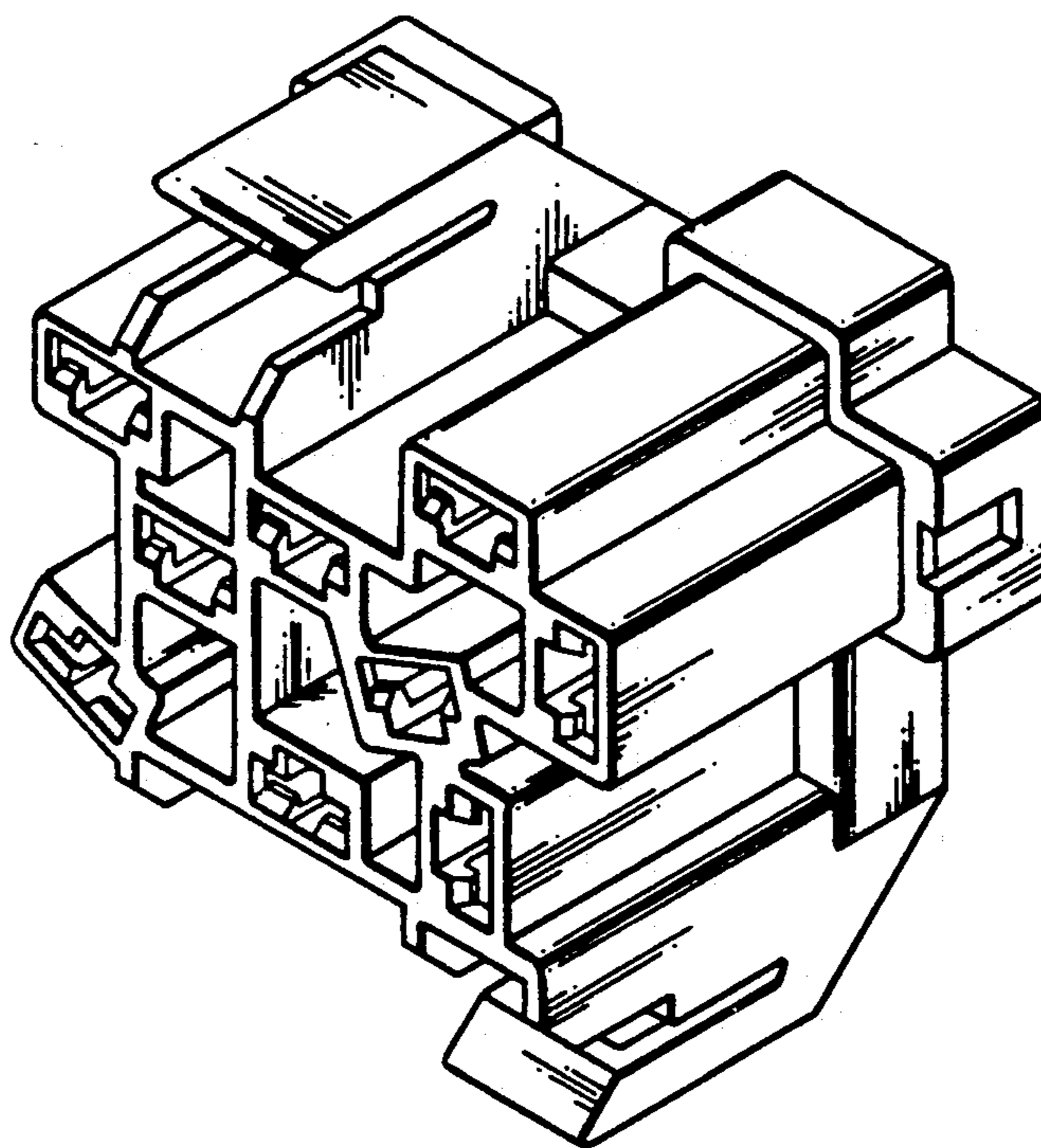
Primary Examiner—Susan J. Lucas
Assistant Examiner—Joel Sincavage
Attorney, Agent, or Firm—Jones, Askew & Lunsford

[57] CLAIM

The ornamental design for a housing for an electrical connector, as shown and described.

DESCRIPTION

FIG. 1 is a perspective view of a housing for an electrical connector showing my new design; FIG. 2 is a front elevational view thereof; FIG. 3 is a right side elevational view thereof; FIG. 4 is a left side elevational view thereof; FIG. 5 is a top plan view thereof; FIG. 6 is a bottom plan view thereof; FIG. 7 is a rear elevational view thereof; FIG. 8 is a cross-sectional view thereof taken along line 8—8 of FIG. 2; FIG. 9 is a cross-sectional view thereof taken along line 9—9 of FIG. 2.



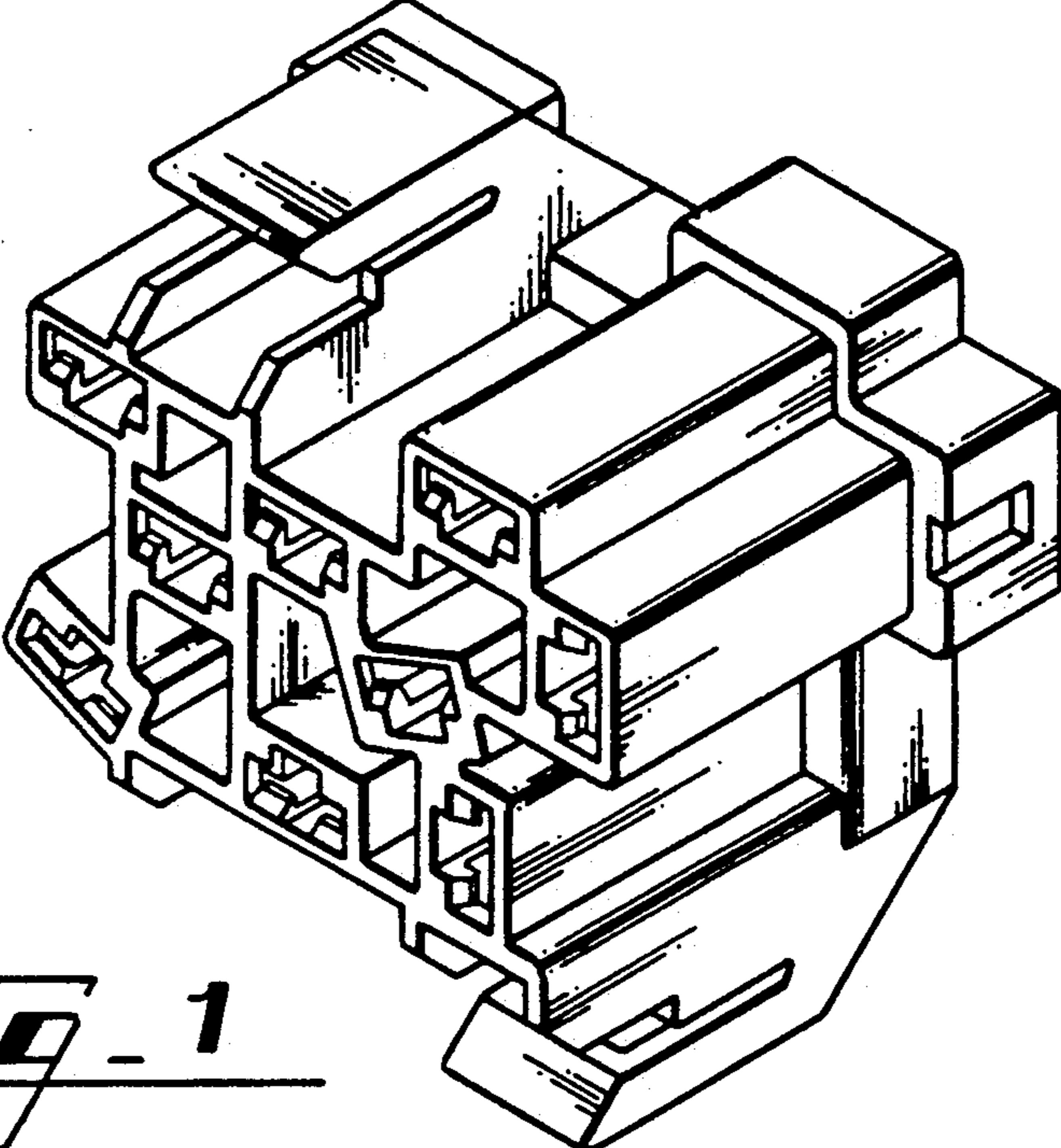


Fig. 1

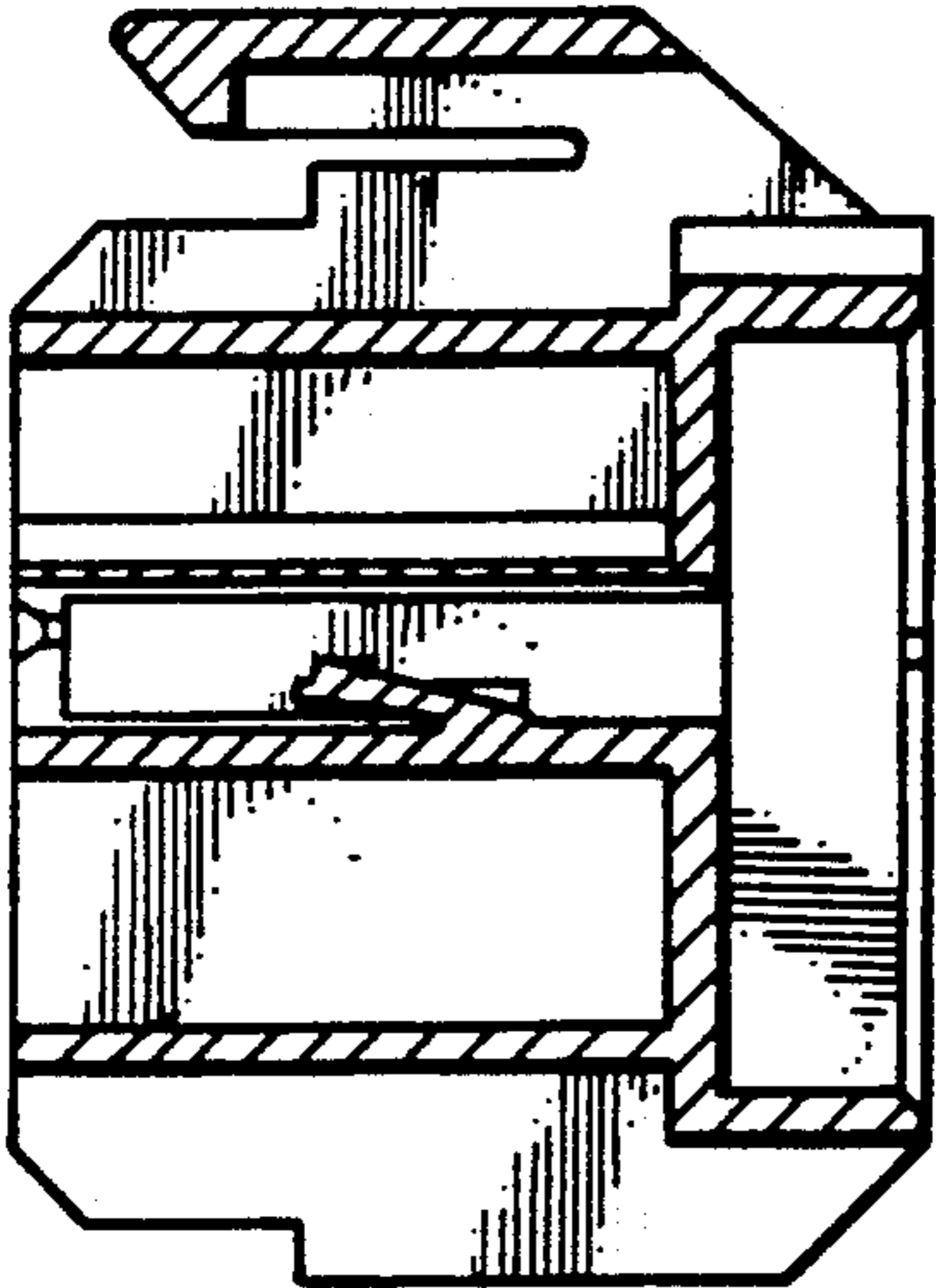


Fig. 8

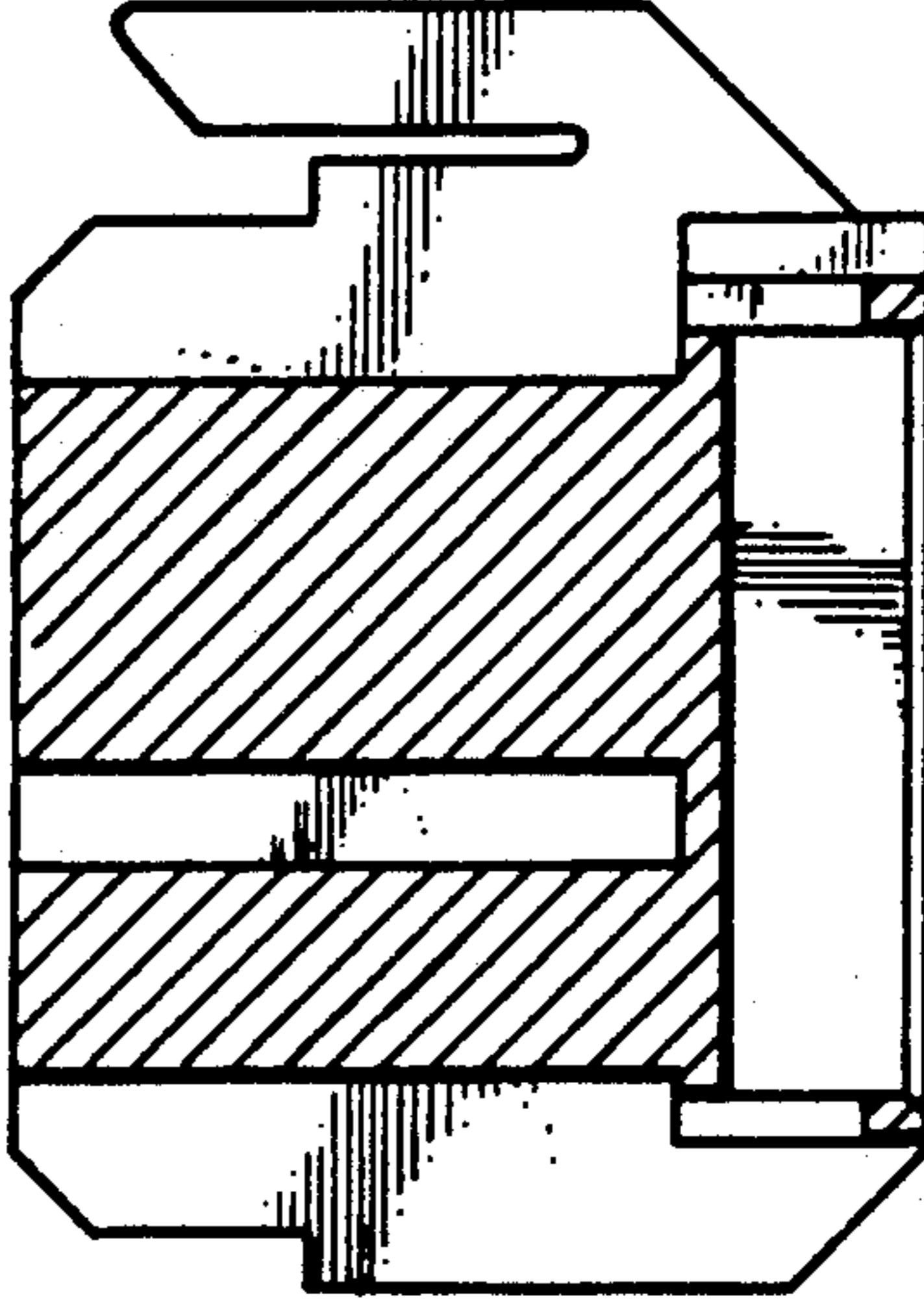


Fig. 9

Fig. 5

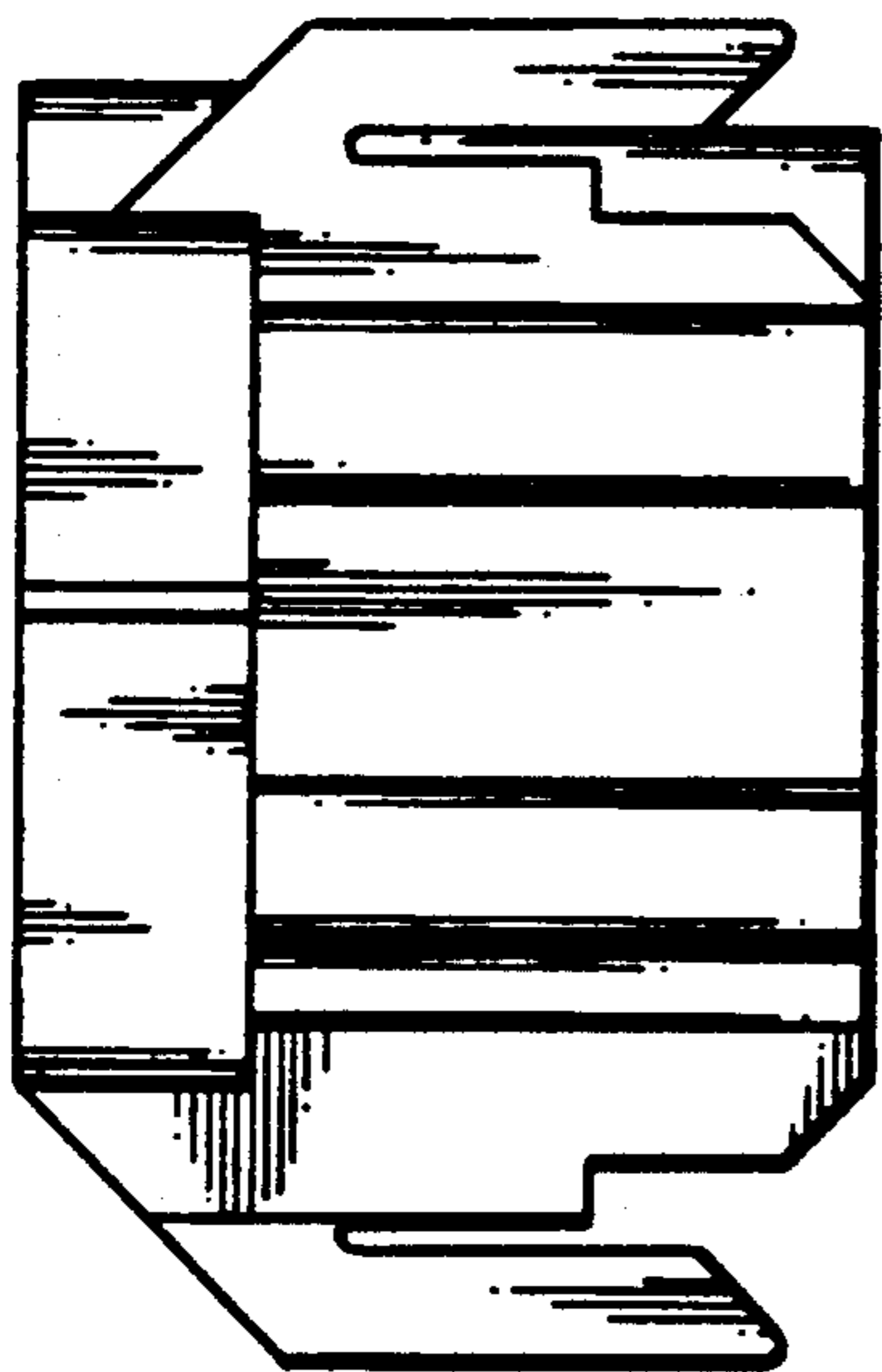
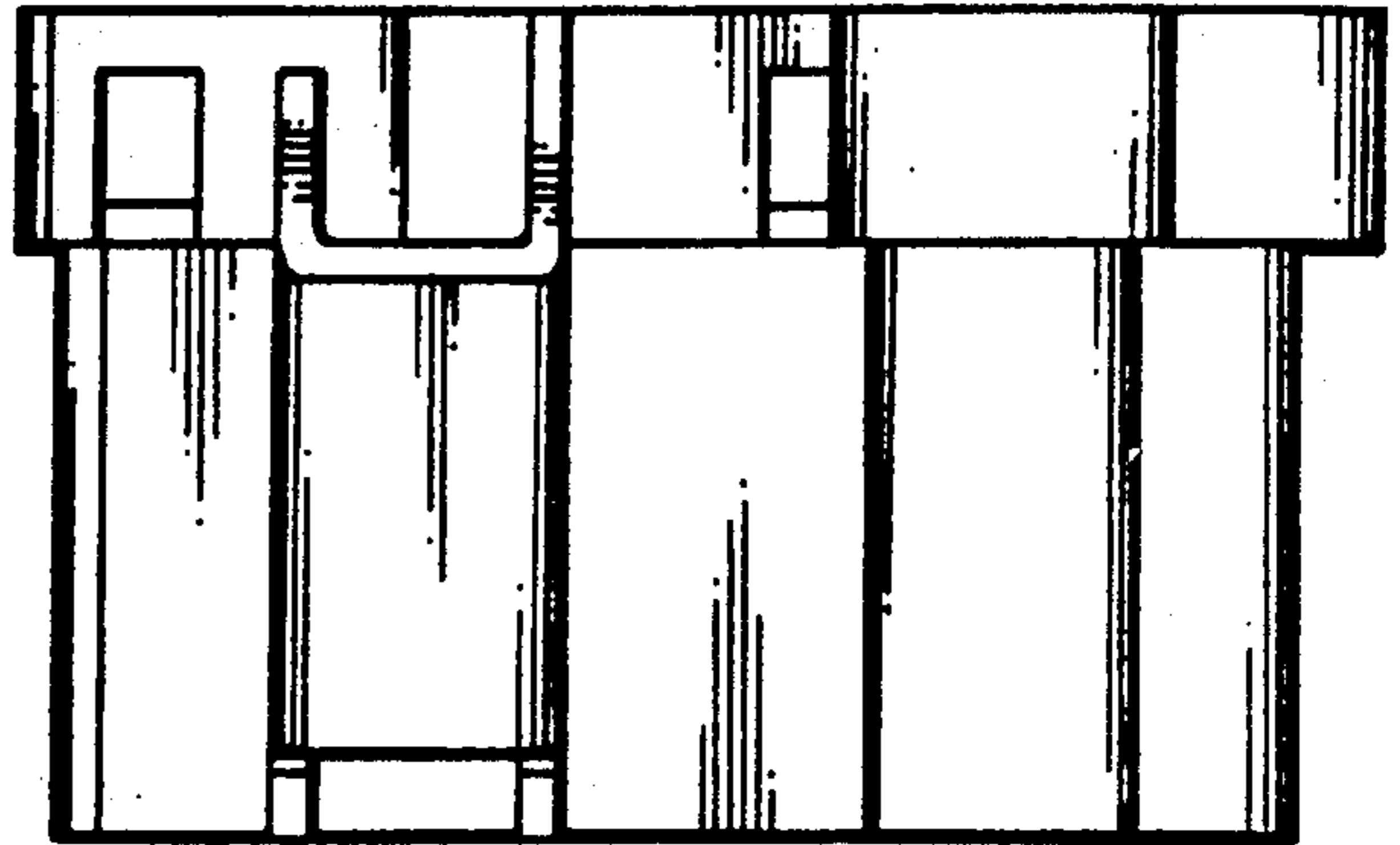


Fig. 4

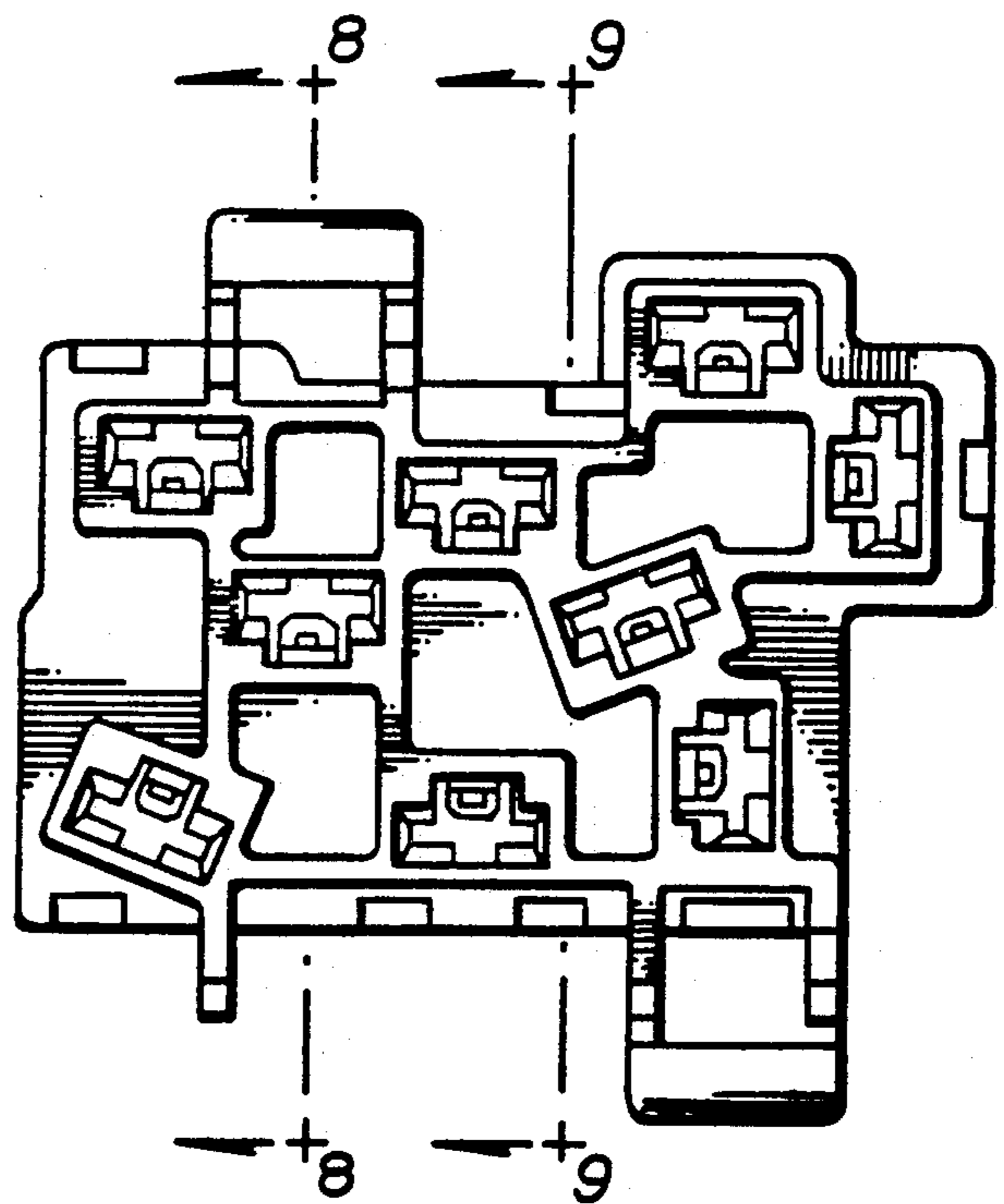


Fig. 2

Fig. 3

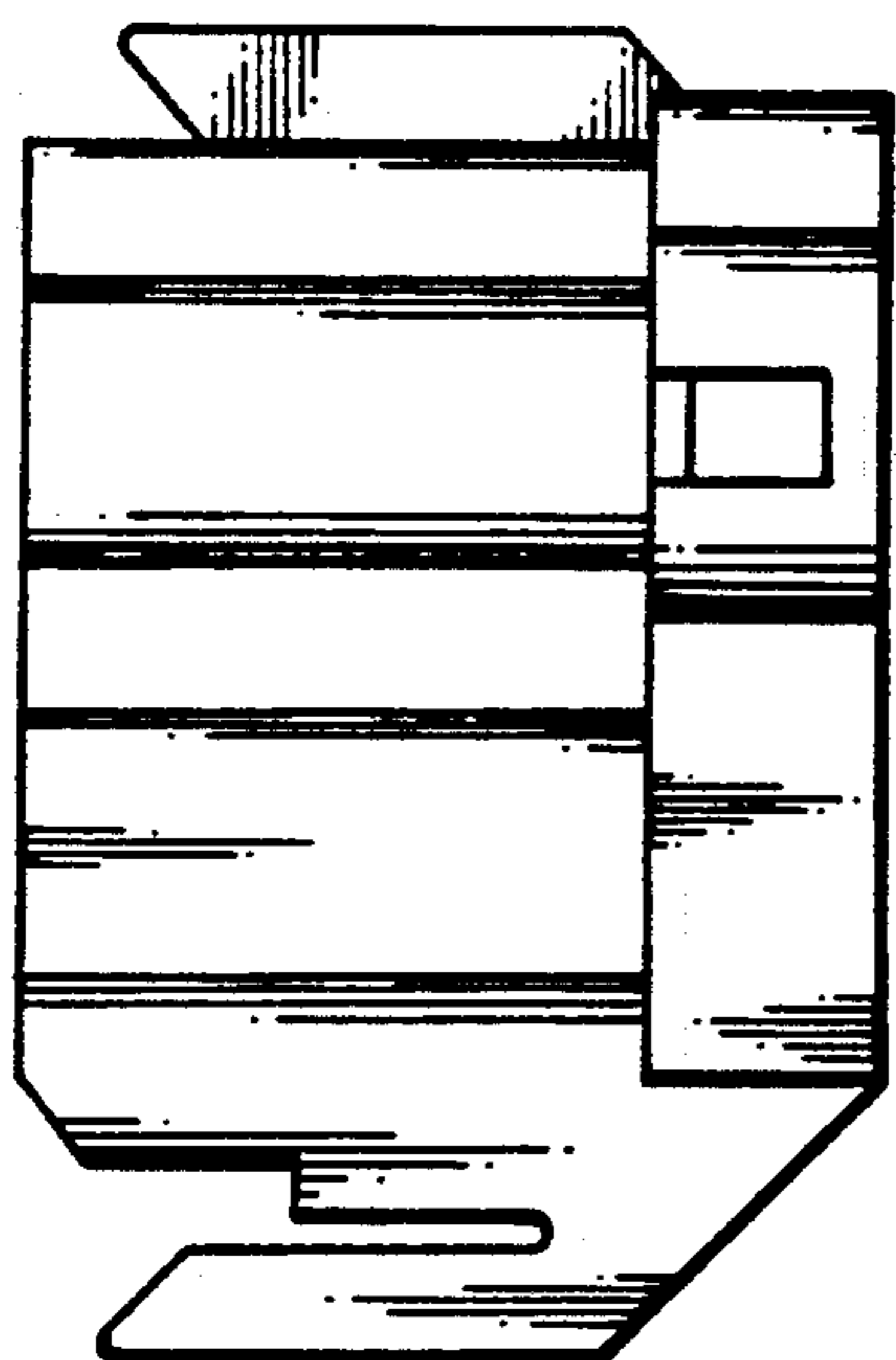


Fig. 7

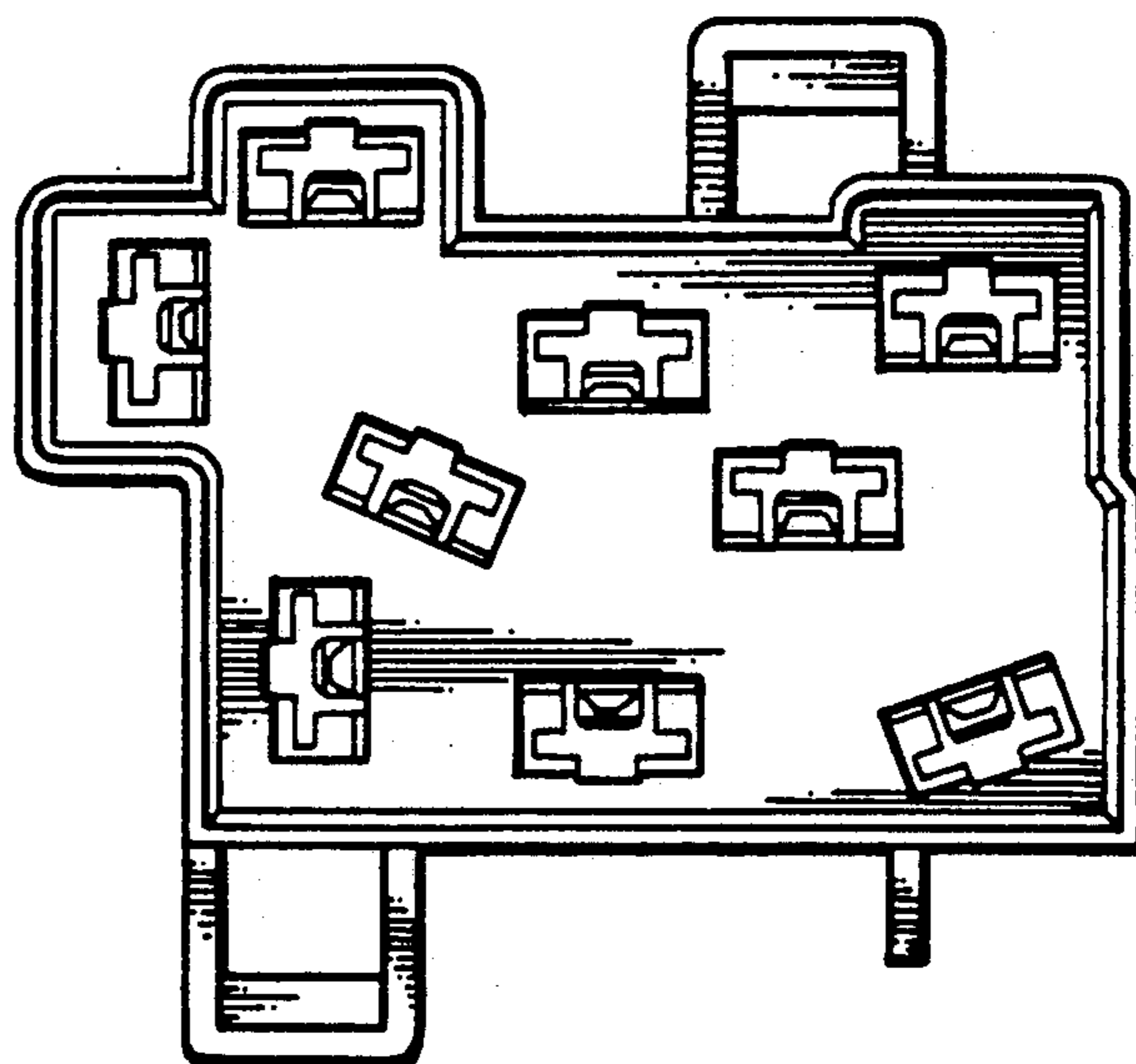


Fig. 6

