

[54] OUTER HOUSING OF ELECTRICAL CONNECTOR

[75] Inventors: Yasuharu Moriai; Osamu Ito, both of Suzuka, Japan

[73] Assignee: Sumitomo Wiring Systems, Ltd., Yokkaichi, Japan

[**] Term: 14 Years

[21] Appl. No.: 271,082

[22] Filed: Nov. 14, 1988

[30] Foreign Application Priority Data

May 13, 1988 [JP] Japan 63-18980
[52] U.S. Cl. D13/133
[58] Field of Search D13/133, 146, 147; 439/353, 344, 357, 544, 550, 571, 572, 586, 587, 595, 603, 660, 682, 685, 686, 687, 695, 696, 701

[56] References Cited

U.S. PATENT DOCUMENTS

D. 271,197 11/1983 Jones et al. D13/147 X
D. 271,296 11/1983 Jones et al. D13/147 X
3,275,765 9/1966 Ferdon et al. 439/660 X
4,657,331 4/1987 Coldren 439/571

FOREIGN PATENT DOCUMENTS

1524330 5/1968 France 439/682
0039491 4/1978 Japan 439/357
0274408 9/1964 Netherlands 439/682
1500722 2/1978 United Kingdom 439/357

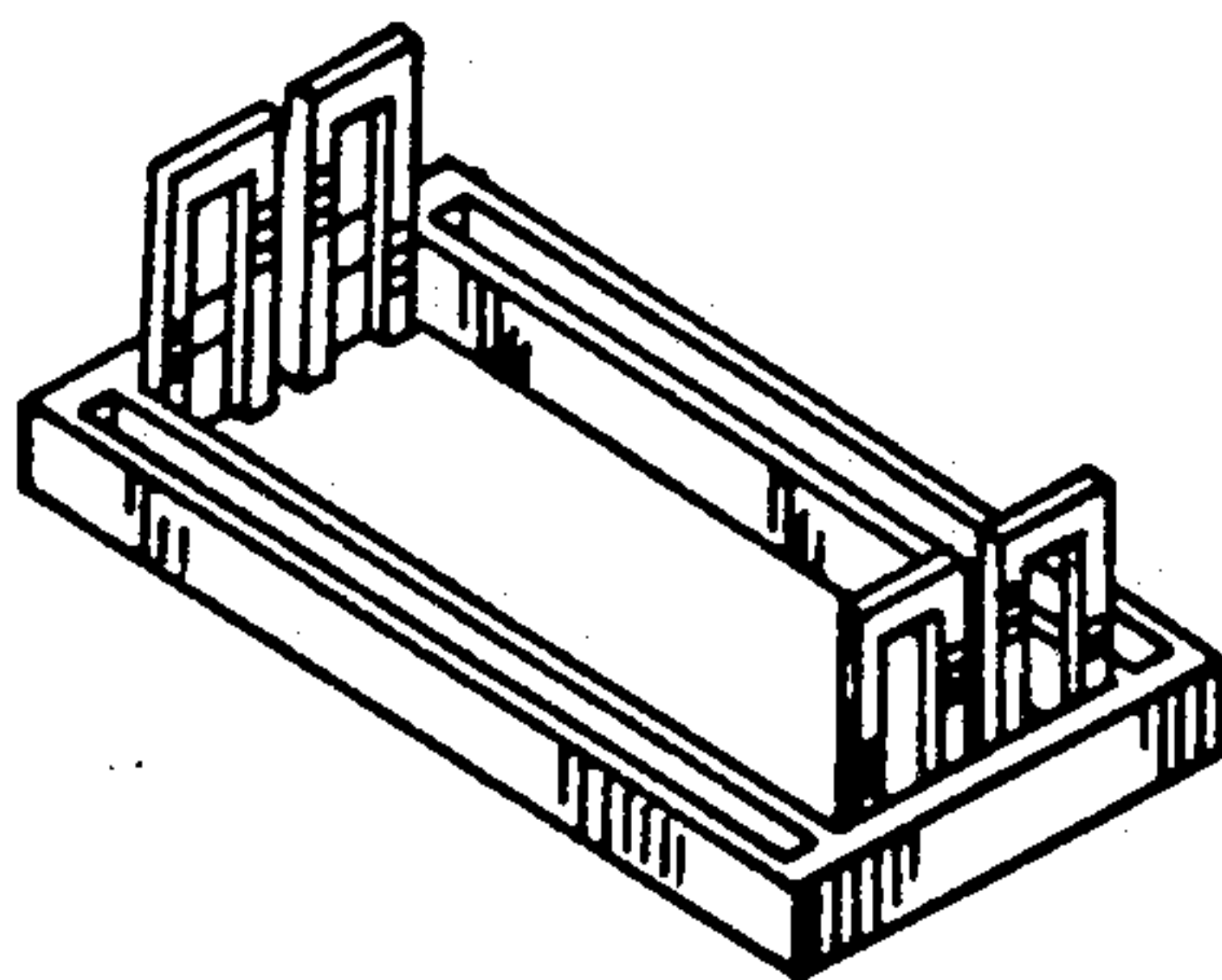
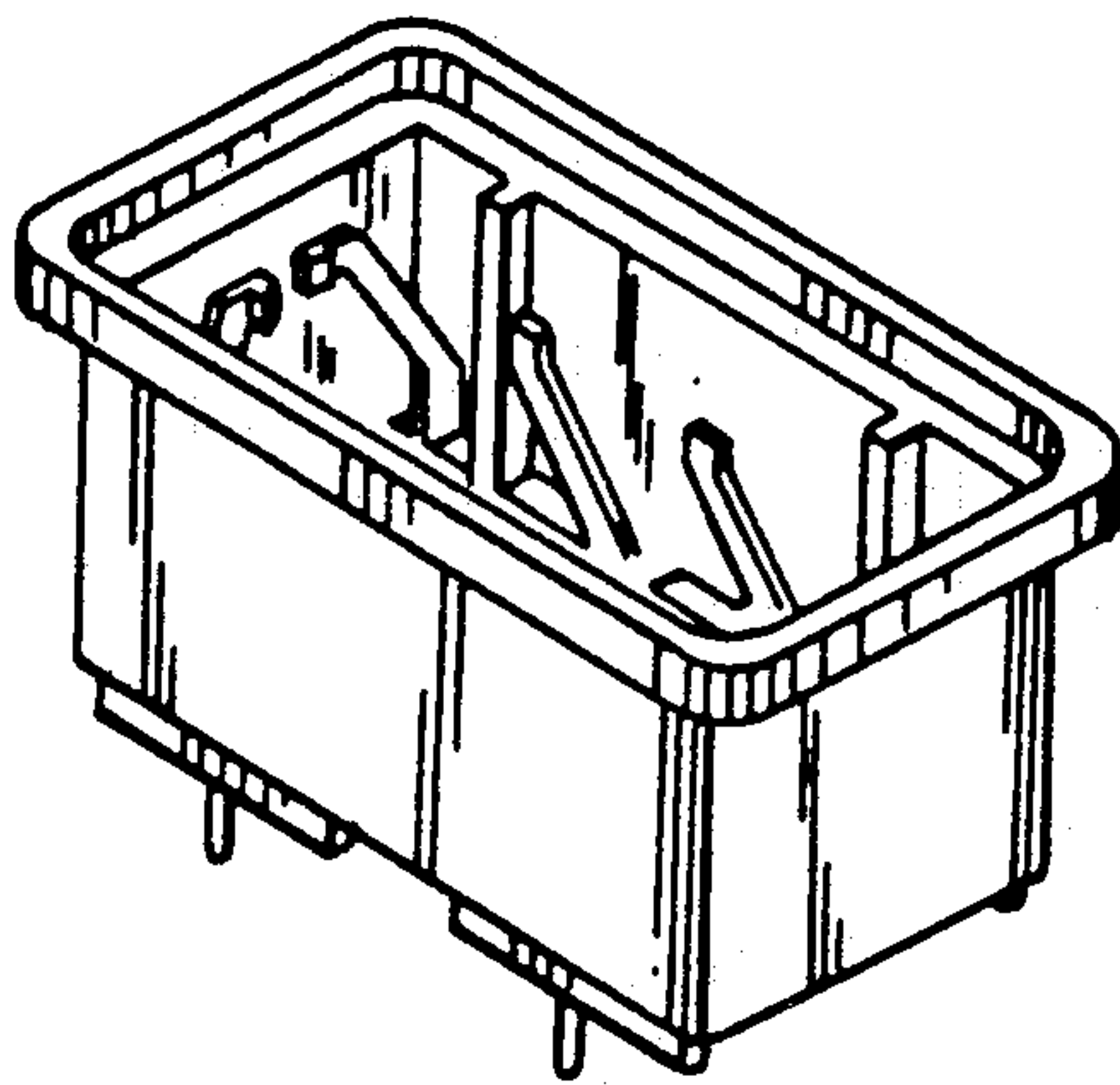
Primary Examiner—Susan J. Lucas
Assistant Examiner—Joel Sincavage
Attorney, Agent, or Firm—Liddy Sullivan Galway Begler & Peroff

[57] CLAIM

The ornamental design for an outer housing of electrical connector, as shown and described.

DESCRIPTION

FIG. 1 is a top perspective view of an outer housing of electrical connector showing our new design with its two components separated;
FIG. 2 is a top plan view of an outer housing of electrical connector showing our new design assembled and on an enlarged scale;
FIG. 3 is a bottom plan view thereof;
FIG. 4 is a front elevational view thereof;
FIG. 5 is a rear elevational view thereof;
FIG. 6 is a right side elevational view thereof, the left side elevational view being a mirror image;
FIG. 7 is a cross-sectional view thereof taken along line 7—7 of FIG. 4;
FIG. 8 is a cross-sectional view thereof taken along line 8—8 of FIG. 4 and shown on an enlarged scale.



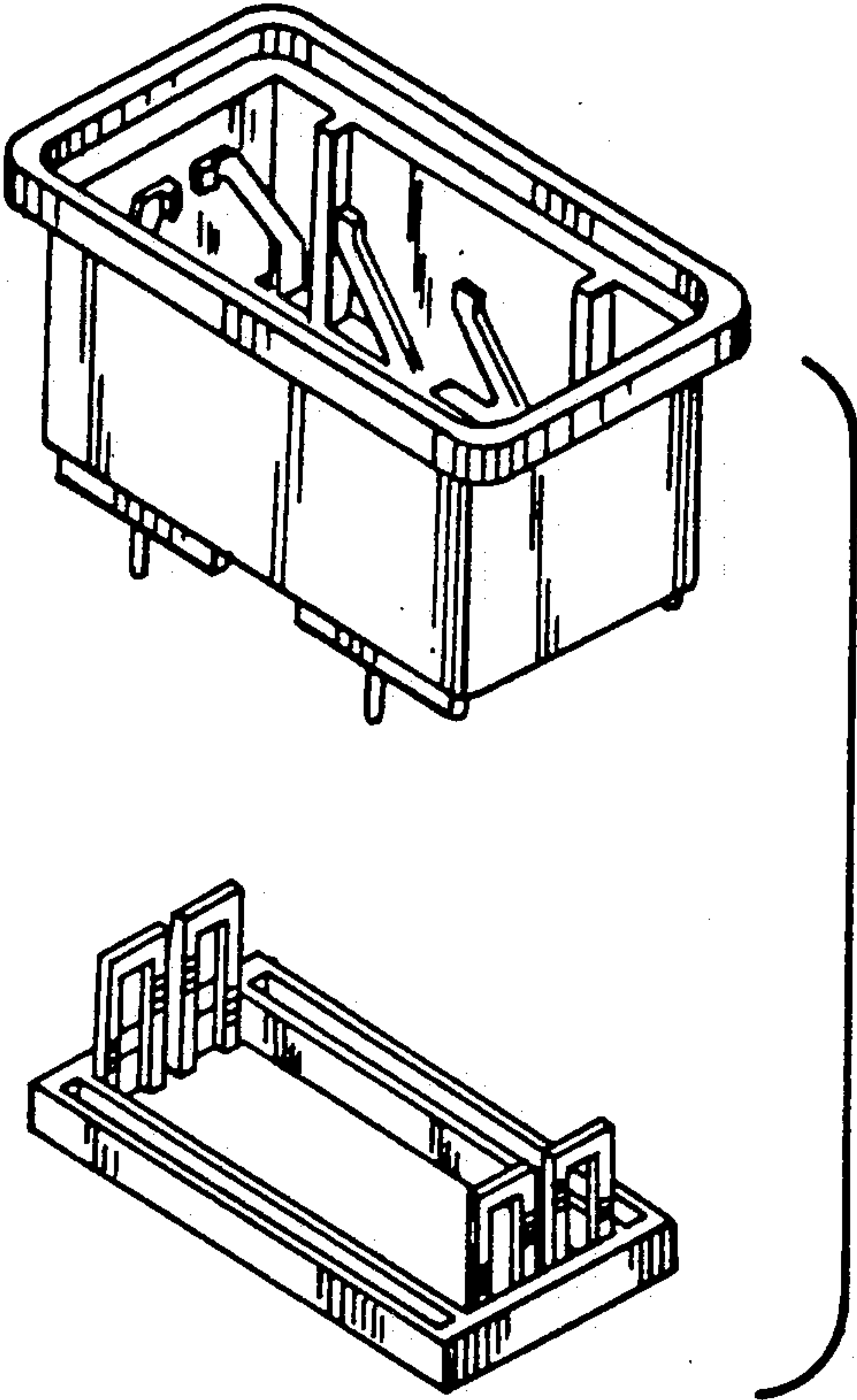


FIG. 1

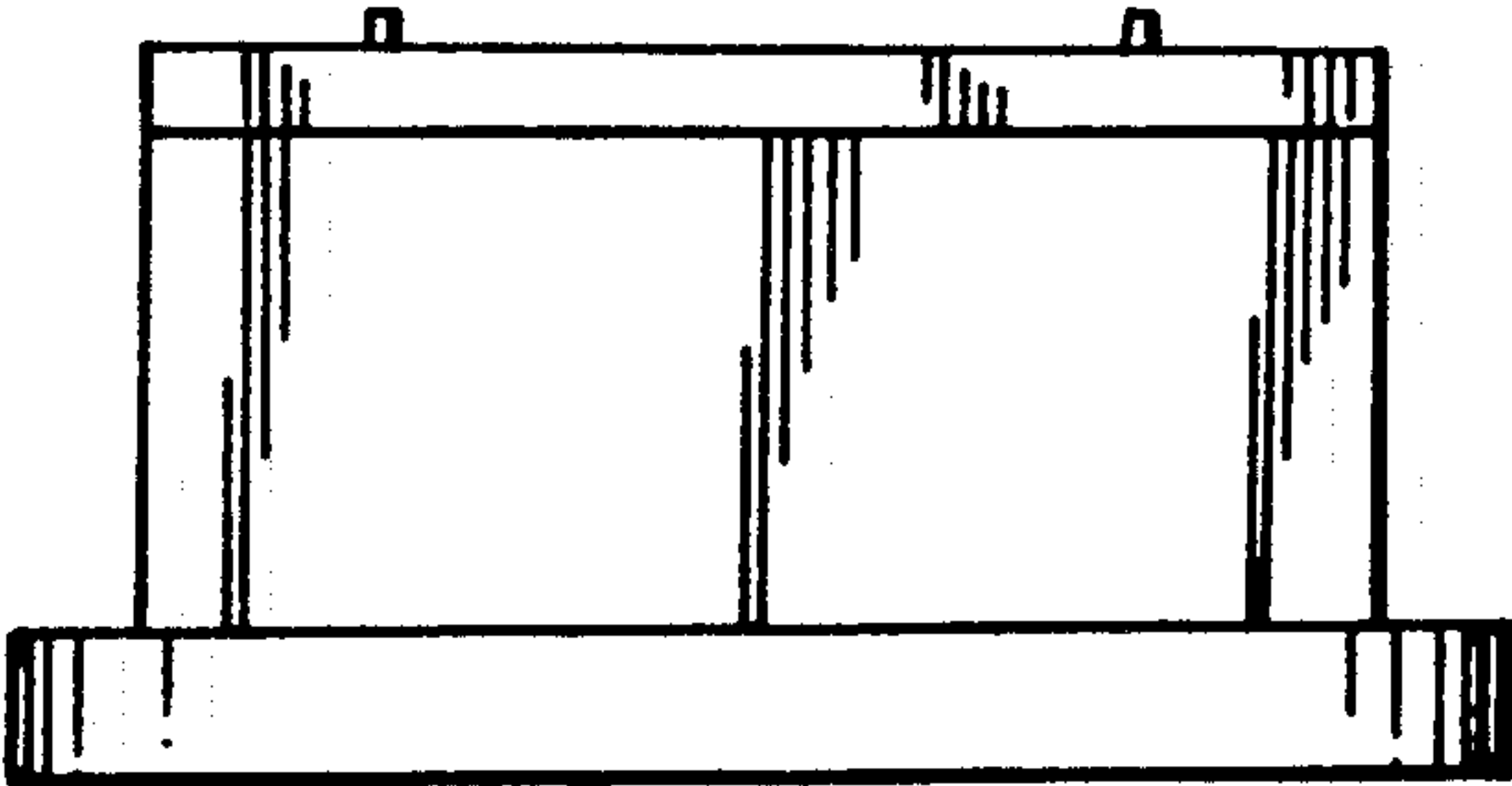


FIG. 2

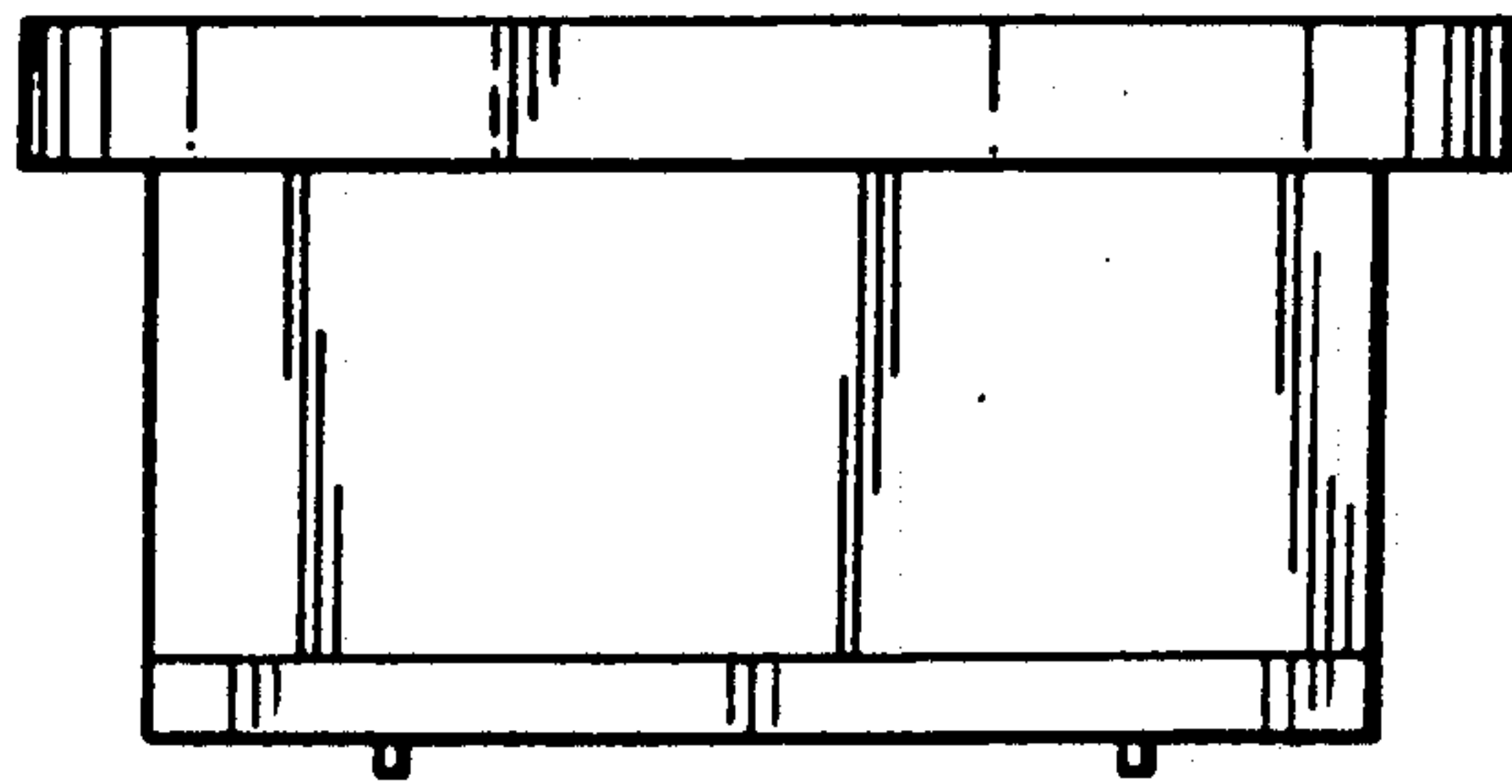


FIG. 3

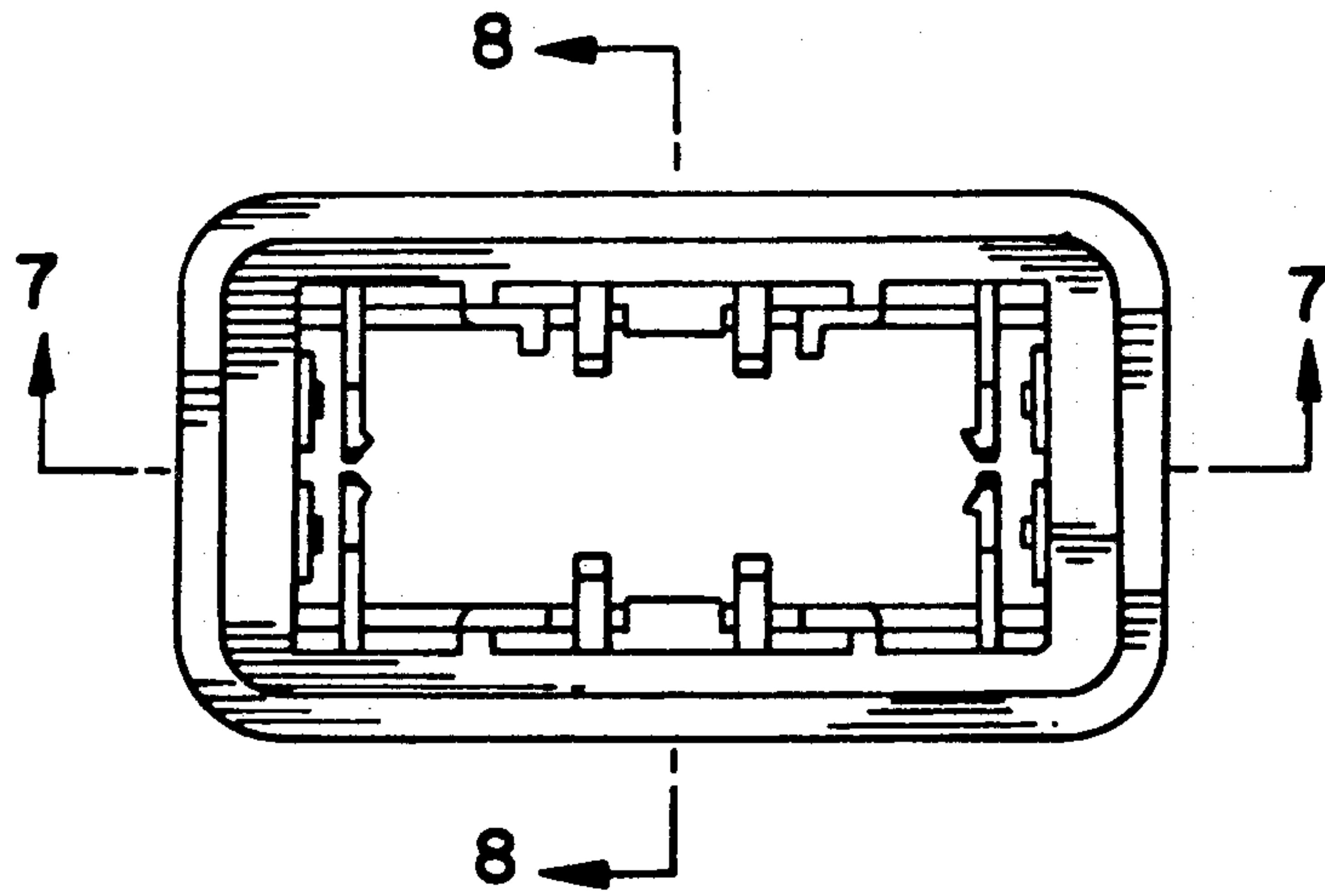


FIG. 4

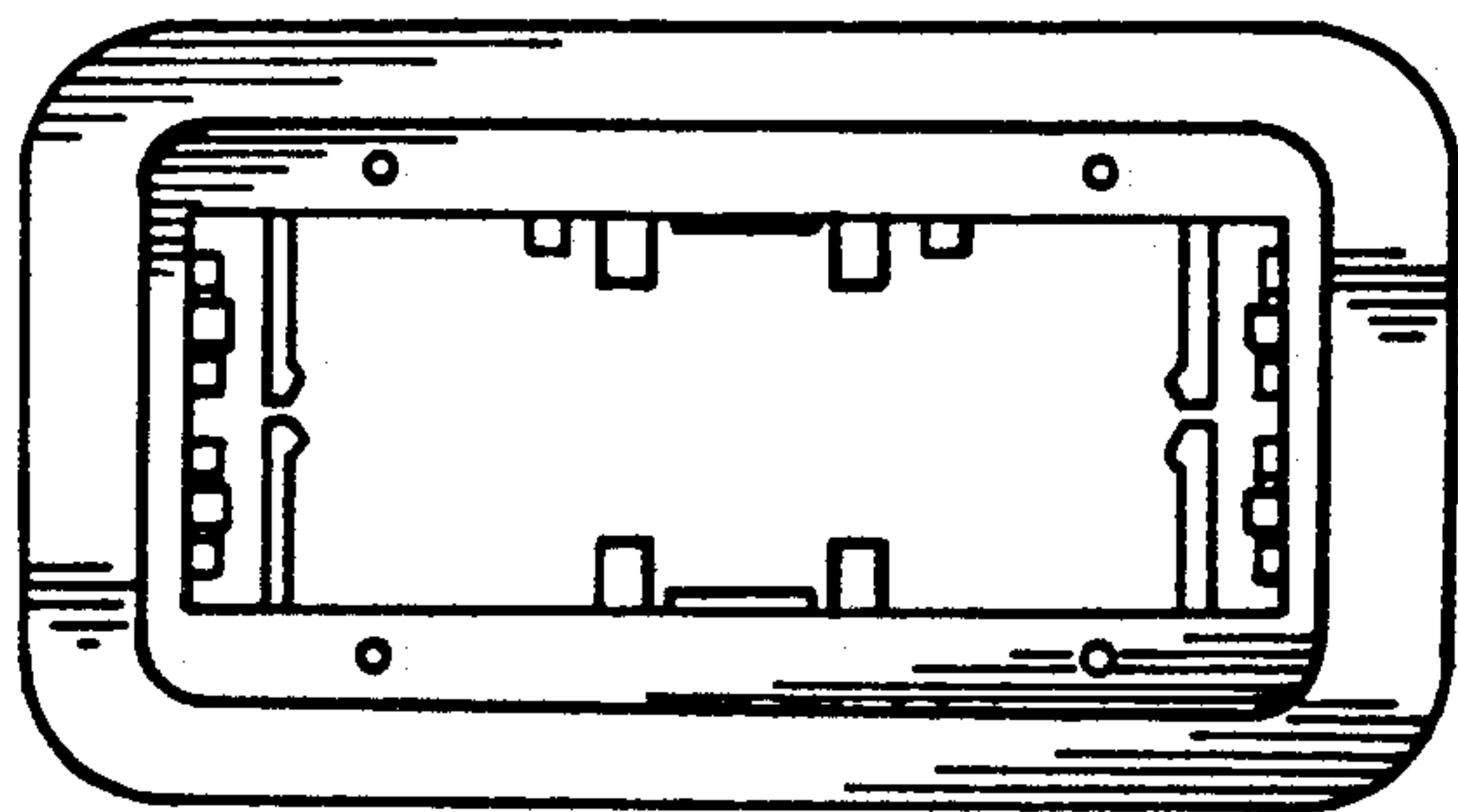


FIG. 5

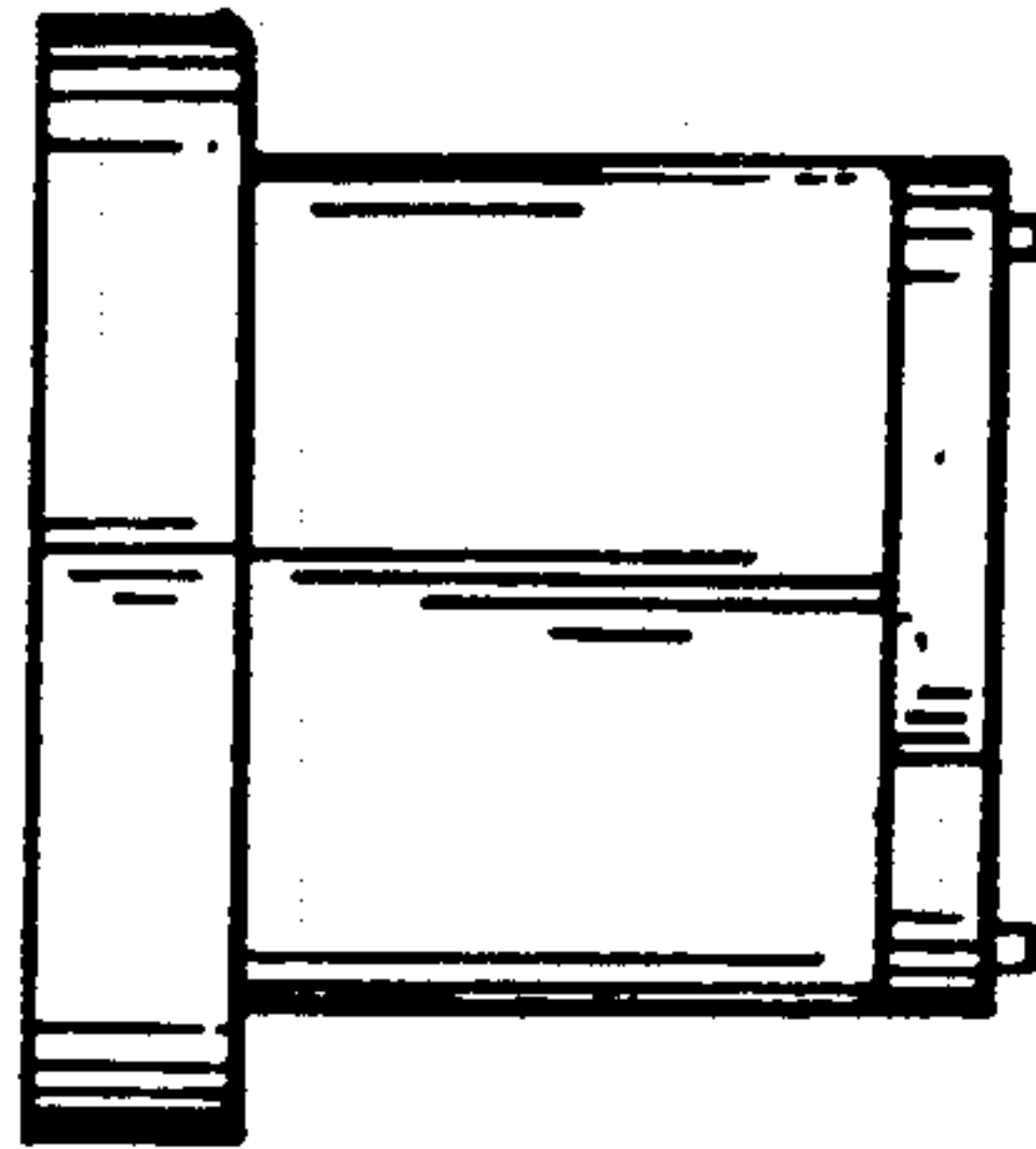


FIG. 6

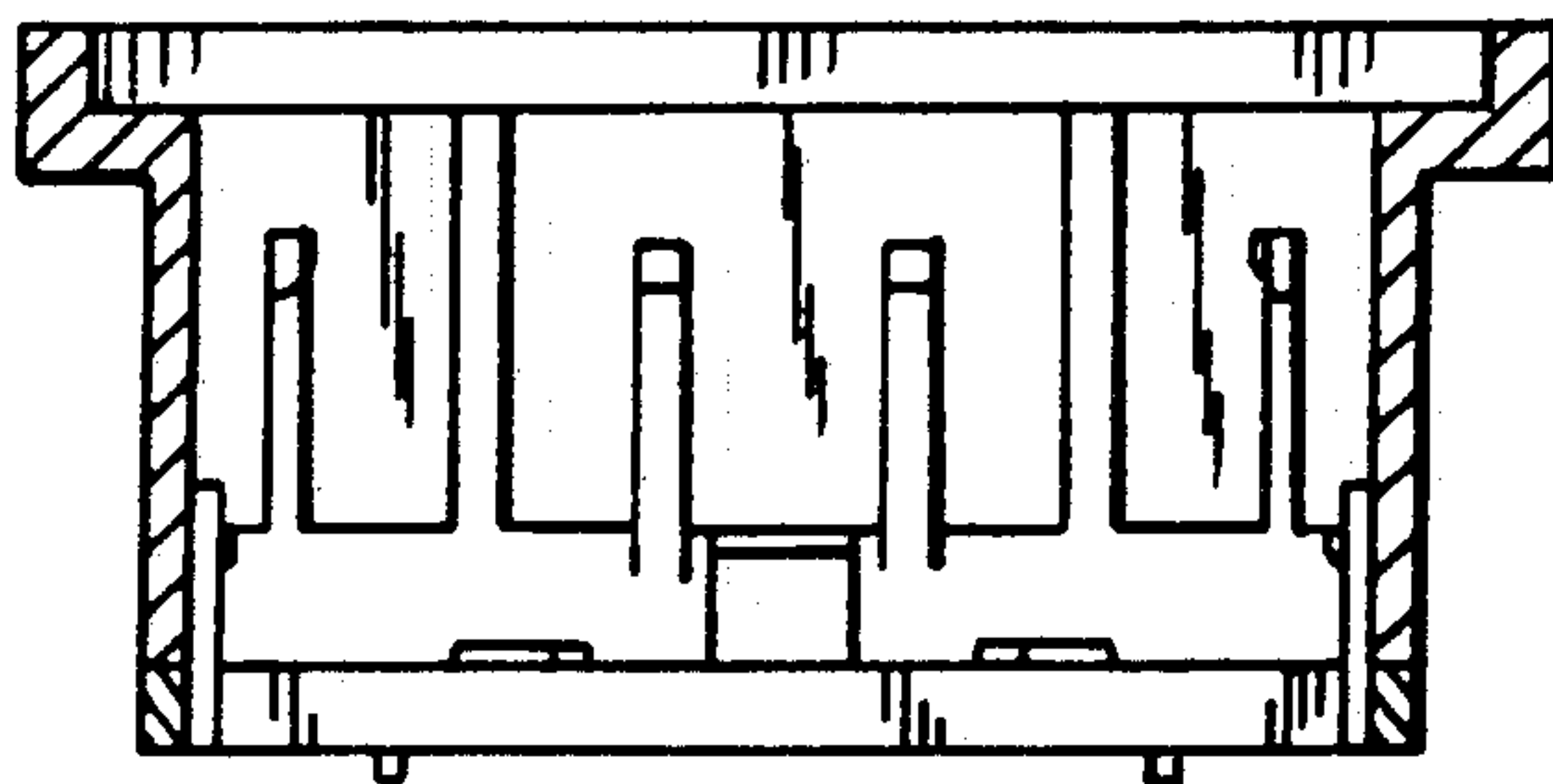


FIG. 7

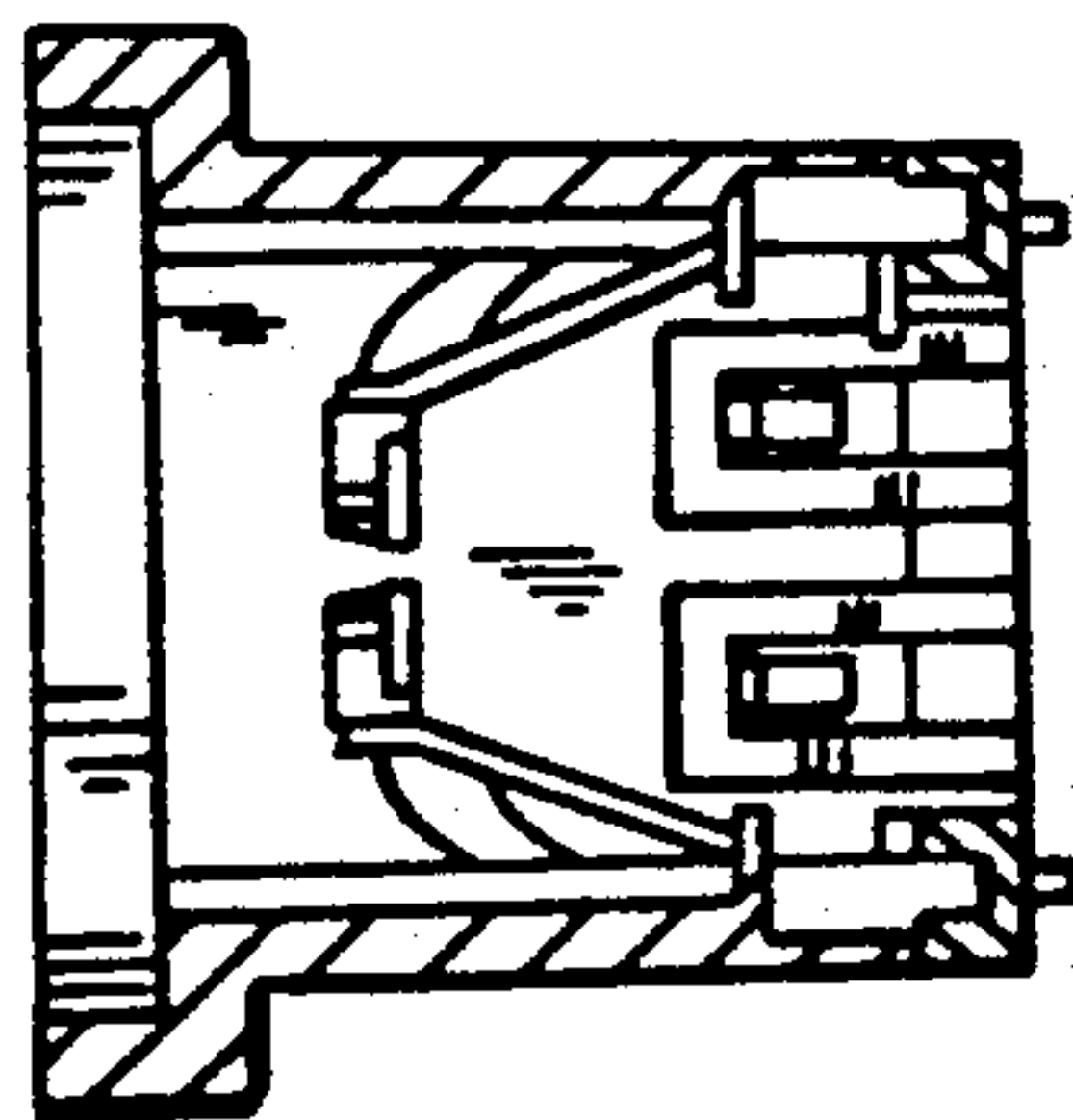


FIG. 8