

[54] PANEL ELECTRICAL CONNECTOR

[75] Inventor: Richard F. Wharton, Glenview, Ill.

[73] Assignee: Safco Corporation, Chicago, Ill.

[**] Term: 14 Years

[21] Appl. No.: 264,188

[22] Filed: Oct. 28, 1988

[52] U.S. Cl. D13/133; D13/156

[58] Field of Search D13/133, 156; 439/134, 439/135, 136, 149

[56] References Cited

U.S. PATENT DOCUMENTS

D. 296,548	7/1988	Laurie	D13/156
3,258,731	6/1966	Still et al.	439/135
4,473,264	9/1984	Julian et al.	439/135
4,629,268	12/1986	Hiles	439/136
4,770,643	9/1988	Castellani et al.	439/135

Primary Examiner—James M. Gandy
Assistant Examiner—Lisa Lichtenstein
Attorney, Agent, or Firm—Gerald M. Newman

[57] CLAIM

The ornamental design for a panel electrical connector, as shown and described.

DESCRIPTION

FIG. 1 is a perspective view of a panel electrical connector showing my new design in its capped position; FIG. 2 is a perspective view thereof, shown in its uncapped position; FIG. 3 is a top plan view thereof; FIG. 4 is a bottom plan view thereof; FIG. 5 is a right side elevational view thereof; FIG. 6 is a left side elevational view thereof; FIG. 7 is a front elevational view thereof; and FIG. 8 is a rear elevational view thereof. The broken line showing of electrical cords in FIGS. 1, 2, 4, 5, 6, 7 and 8, is for illustrative purposes only, and forms no part of the claimed design.

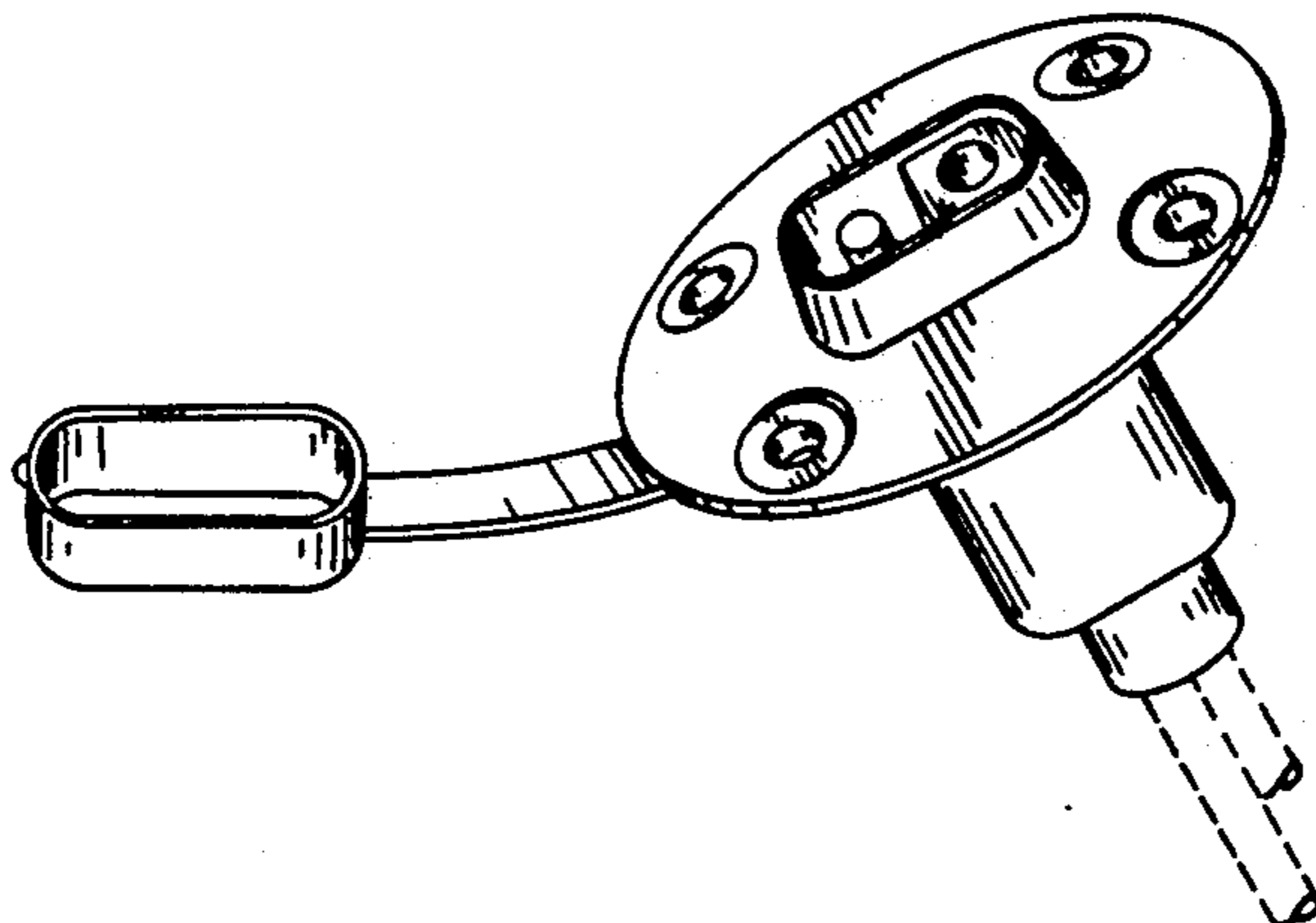
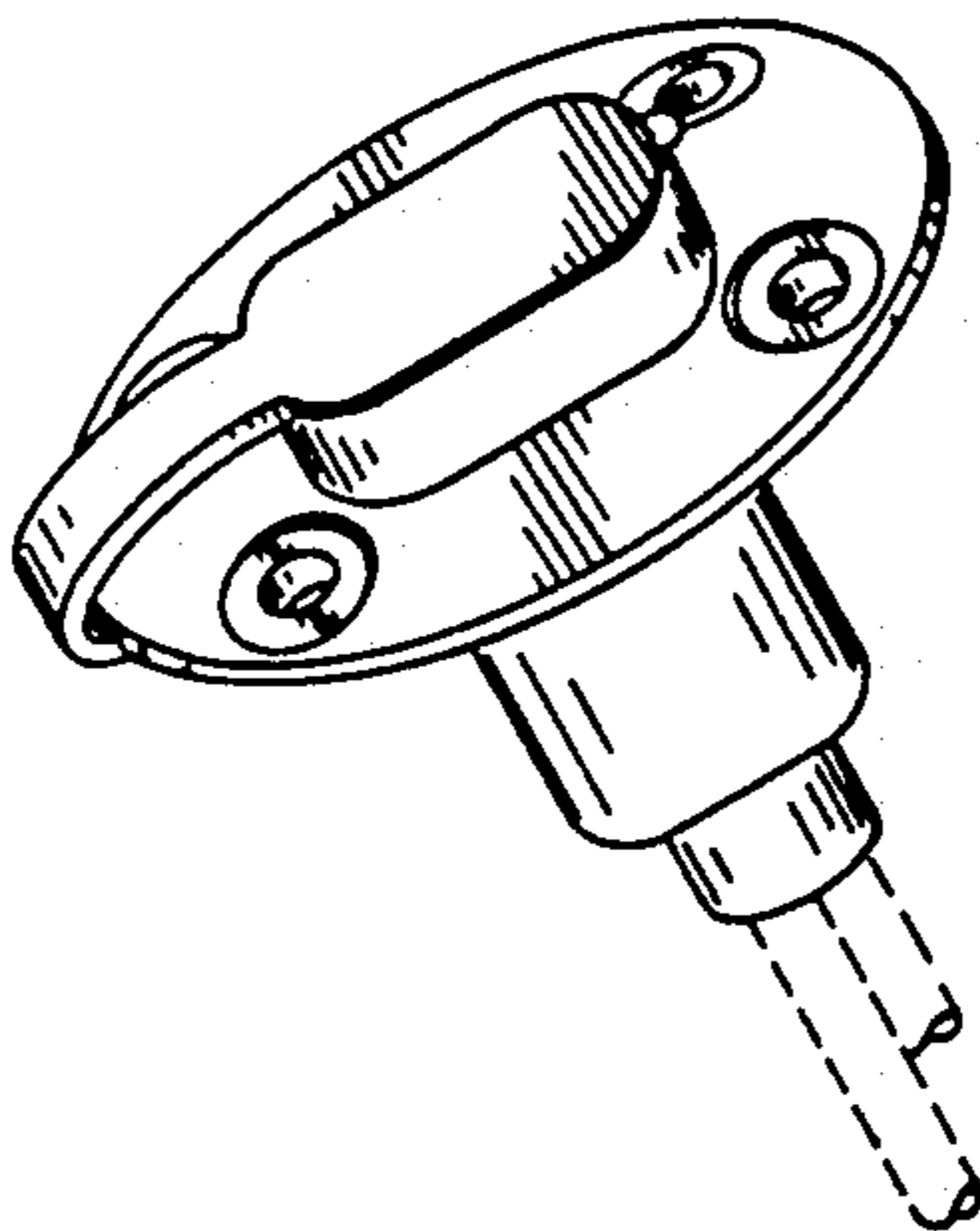


FIG. 1

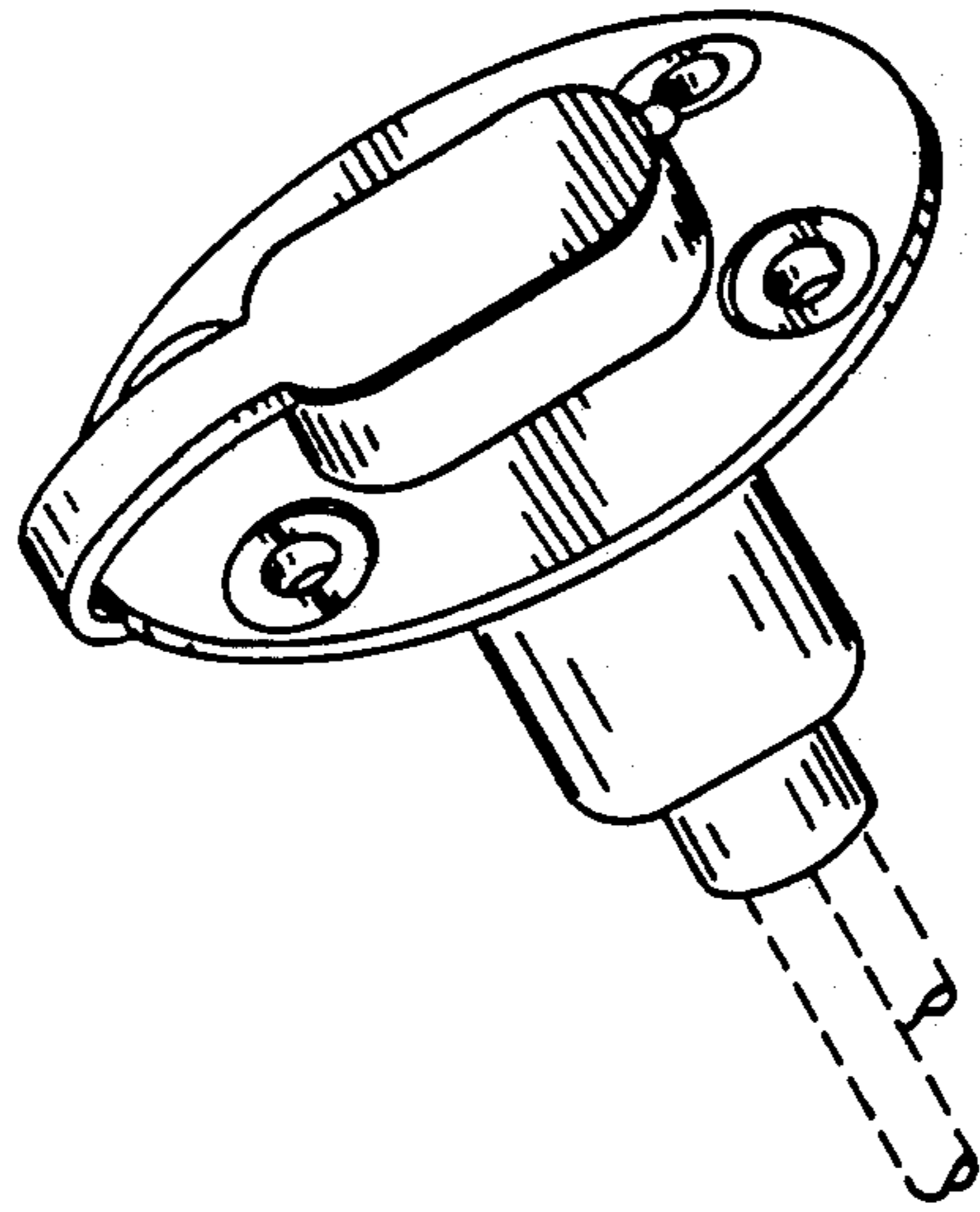


FIG. 2

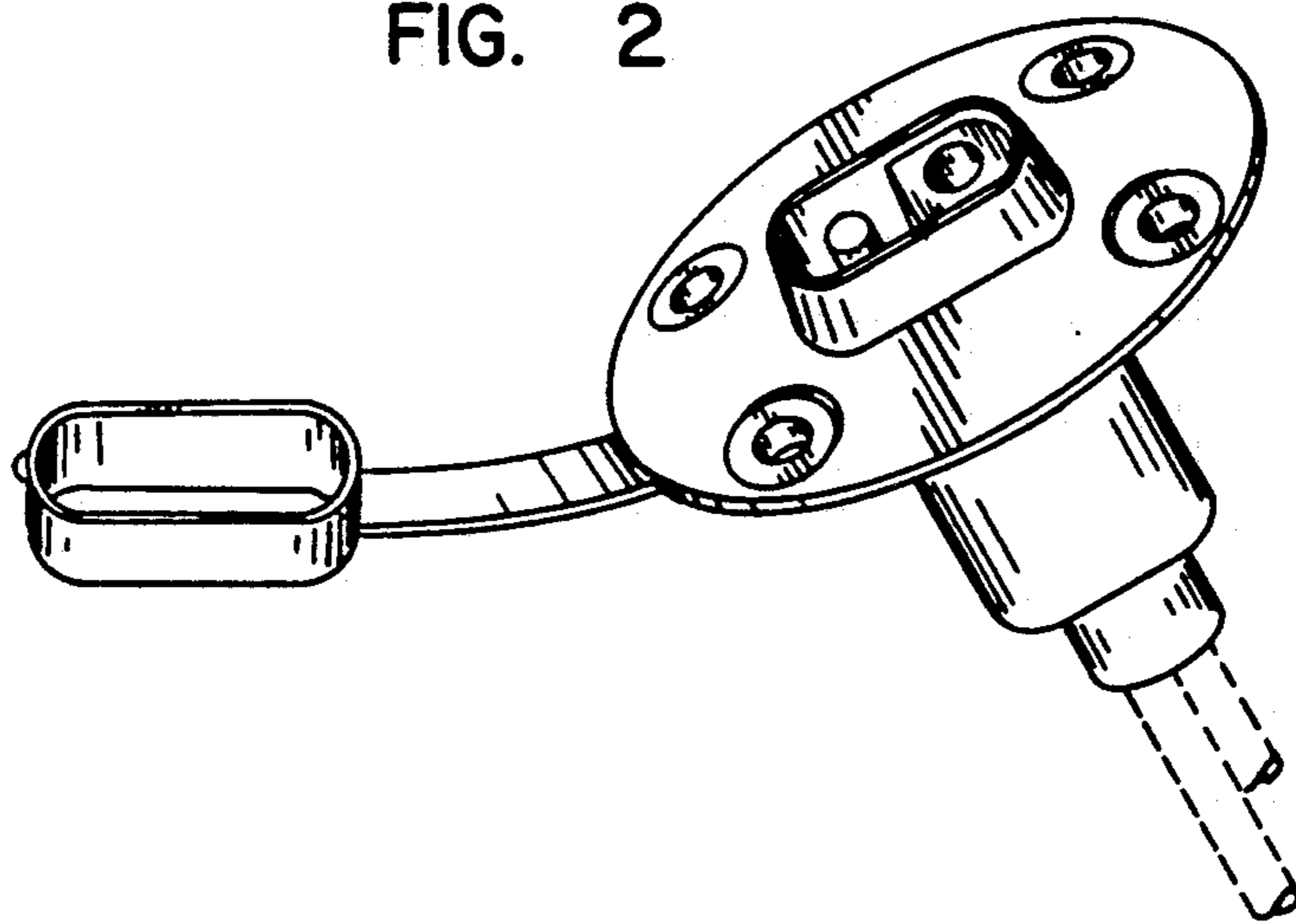


FIG. 3

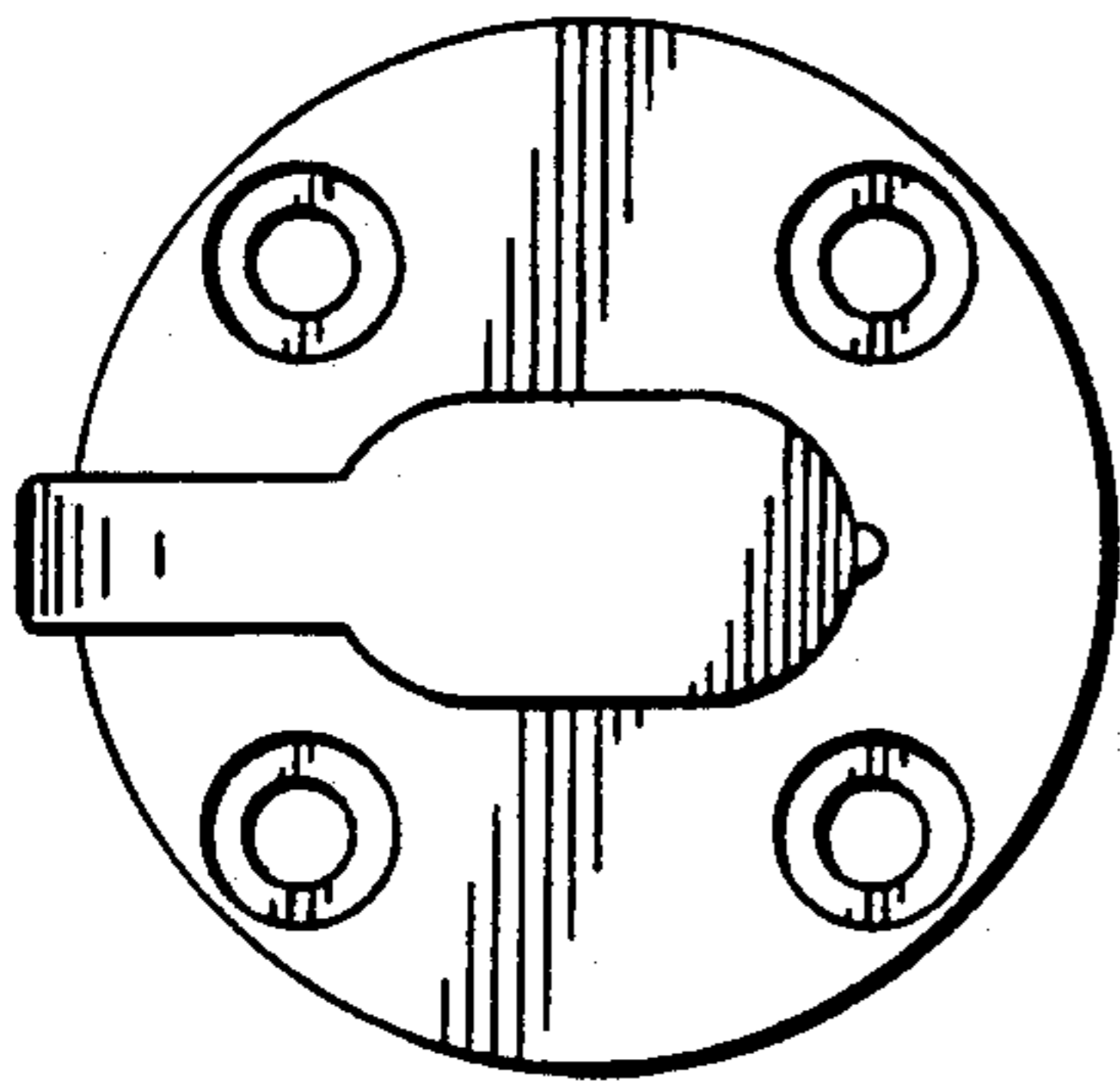


FIG. 4

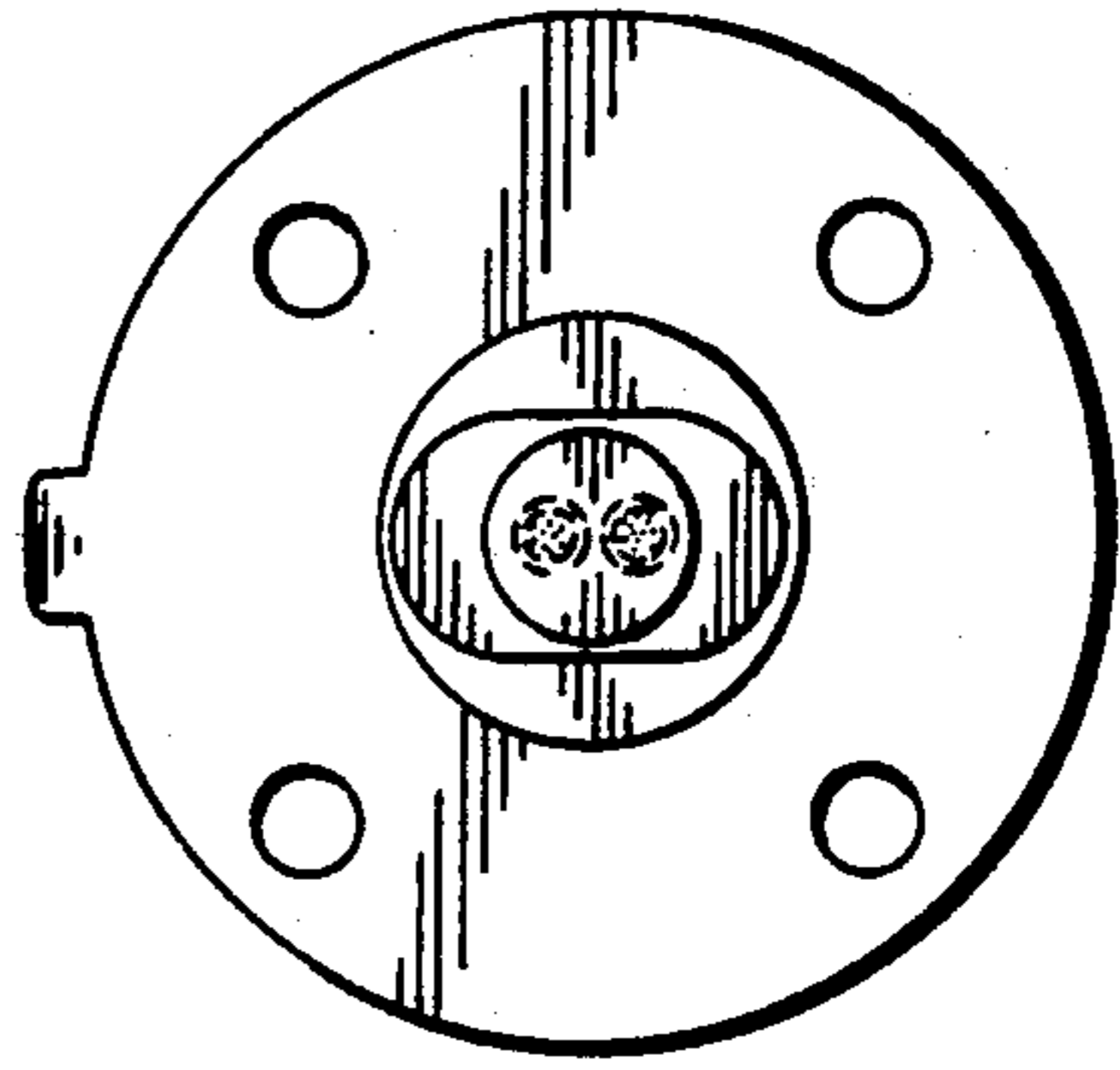


FIG. 5

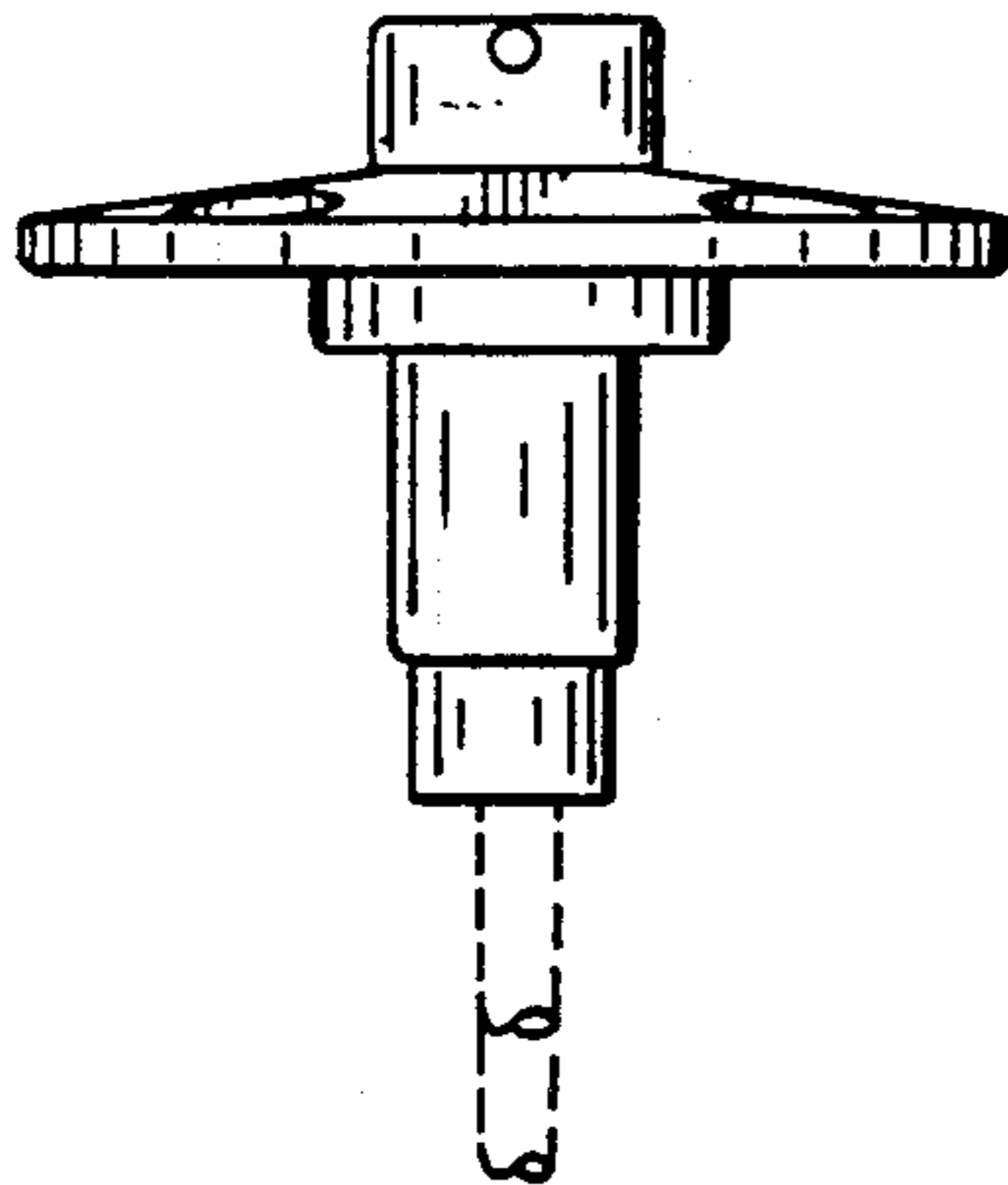


FIG. 6

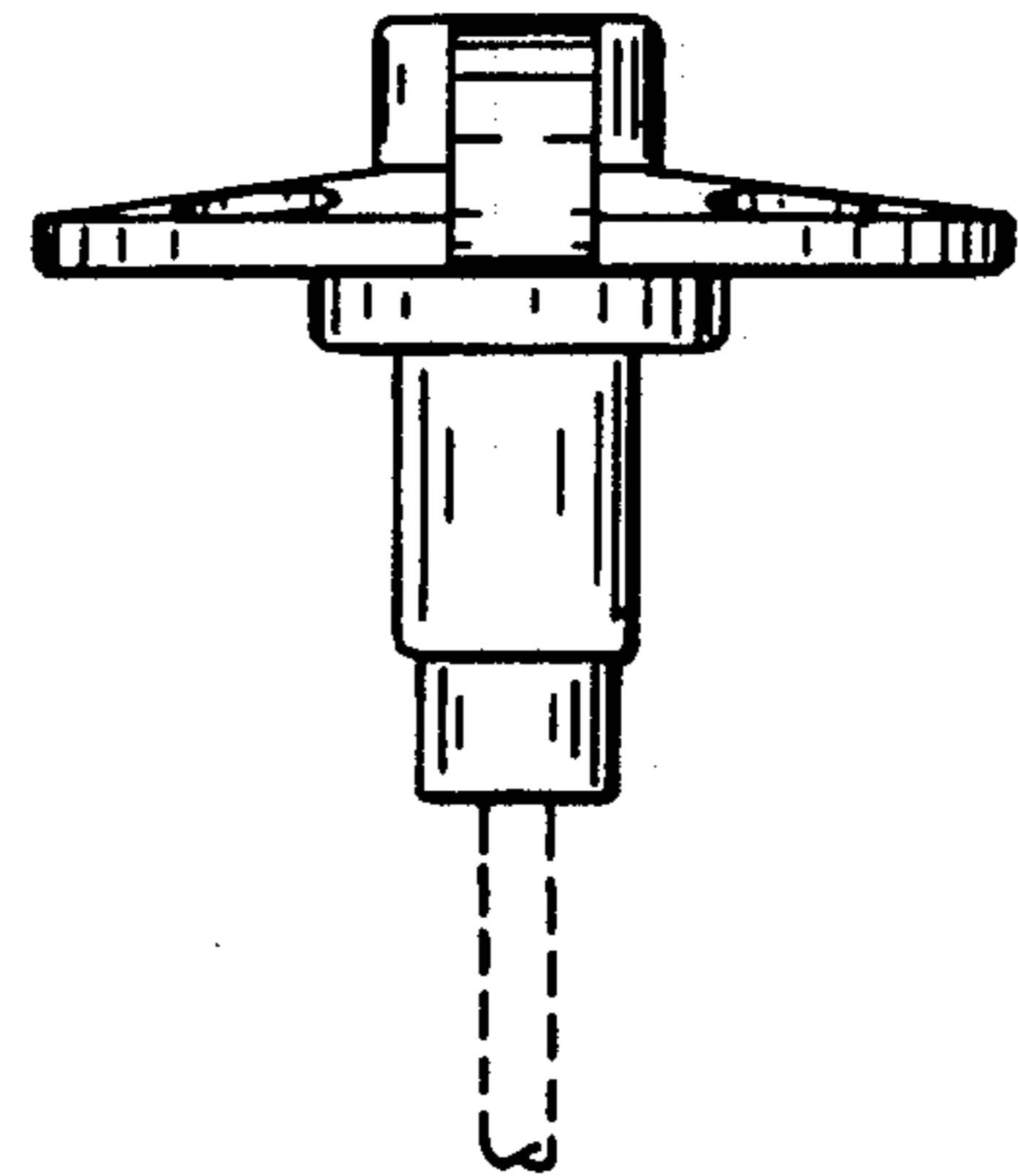


FIG. 7

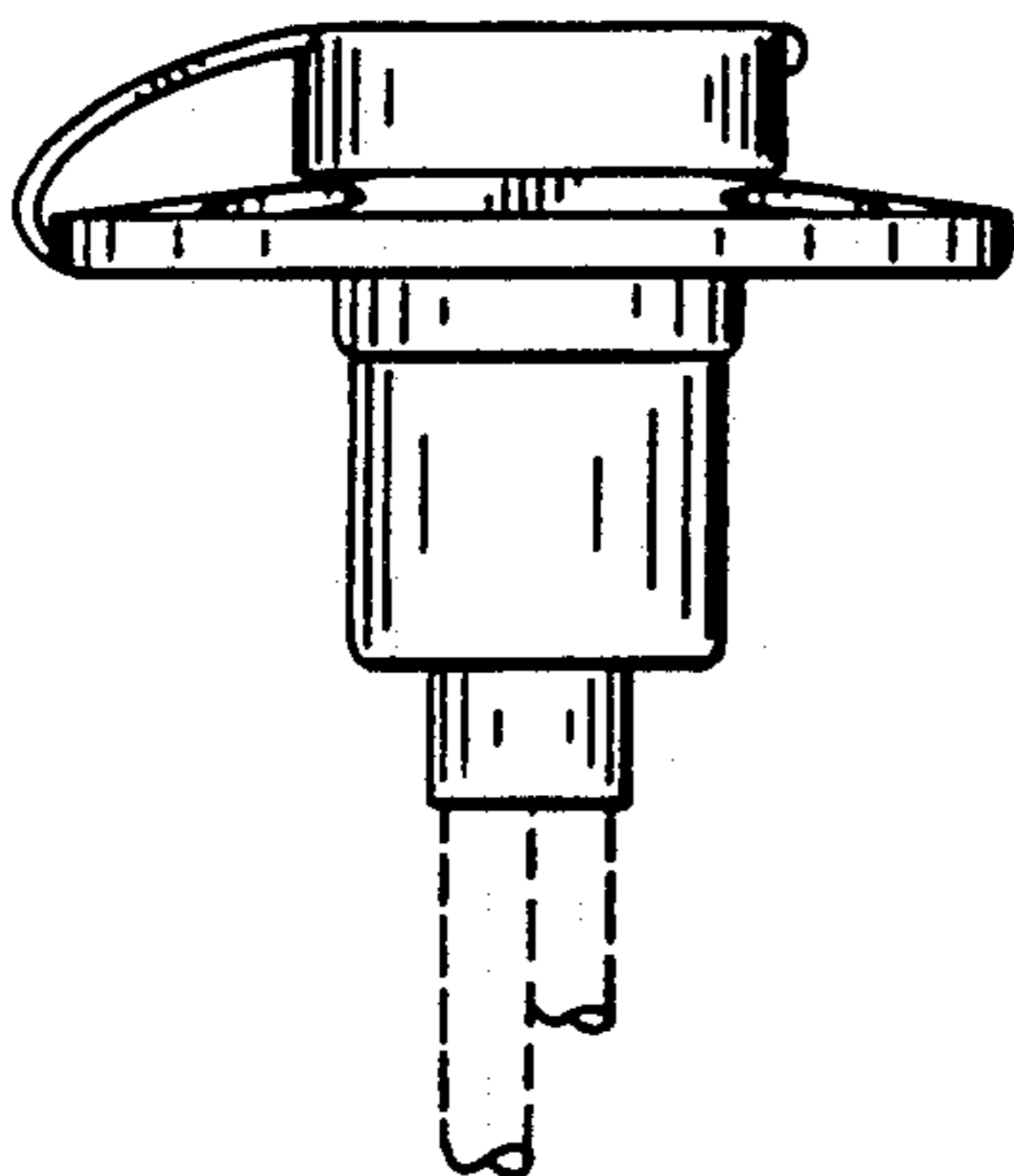


FIG. 8

