

- [54] HOUSING FOR A BATTERY TERMINAL CONNECTOR
- [75] Inventor: Jeremy C. Hill, 603½ Orchid Ave.,  
Corona del Mar, Calif. 92628
- [73] Assignees: Ronald G. Slagle, Laguna Beach;  
Jeremy C. Hill, Corona del Mar,  
both of Calif.
- [\*\*] Term: 14 Years
- [21] Appl. No.: 246,380
- [22] Filed: Sep. 19, 1988
- [52] U.S. Cl. .... D13/120; D13/156
- [58] Field of Search ..... D13/119, 120, 156;  
439/521, 522

[56] References Cited

U.S. PATENT DOCUMENTS

D. 286,767	11/1986	Eriksson	.....	D13/24
2,470,104	5/1949	Martin	.....	439/759
3,112,148	11/1963	Wochner	.....	439/521
3,568,139	3/1971	Delzer	.....	339/239
3,721,947	3/1973	Robin	.....	439/522
4,470,654	9/1984	Friedman	.....	339/95 B
4,595,842	6/1986	Soloway	.....	307/10 R
4,698,459	10/1987	Drake	.....	439/522
4,743,211	5/1988	Hirata et al.	.....	439/521
4,749,363	6/1988	Luska et al.	.....	439/521
4,778,408	10/1988	Morrison	.....	439/522

FOREIGN PATENT DOCUMENTS

2058488A	4/1981	United Kingdom	.....	439/759
----------	--------	----------------	-------	---------

OTHER PUBLICATIONS

Photos of Prior Art Housing for Battery Terminal Connector and its Components, printed and in public use

prior to Sep. 1988, Copies attached to Applicant's Disclosure Statement.

Primary Examiner—James M. Gandy  
Assistant Examiner—Lisa Lichtenstein  
Attorney, Agent, or Firm—F. Eugene Logan

[57] CLAIM

The ornamental design for a housing for a battery terminal connector, as shown and described.

DESCRIPTION

FIG. 1 is a top, front and right side perspective view of a housing for a battery terminal connector showing my new design with the cover thereof in the closed position;

FIG. 2 is a bottom, rear and left side perspective view thereof;

FIG. 3 is a top plan view thereof;

FIG. 4 is a front elevational view thereof;

FIG. 5 is a right side elevational view thereof, the left side elevational view being the mirror image thereof;

FIG. 6 is a rear elevational view thereof;

FIG. 7 is a bottom plan view thereof;

FIG. 8 is a top, rear and left side perspective view of a housing for a battery terminal connector with the cover thereof in the opened position;

FIG. 9 is an inverted bottom, front and right side perspective view of FIG. 8;

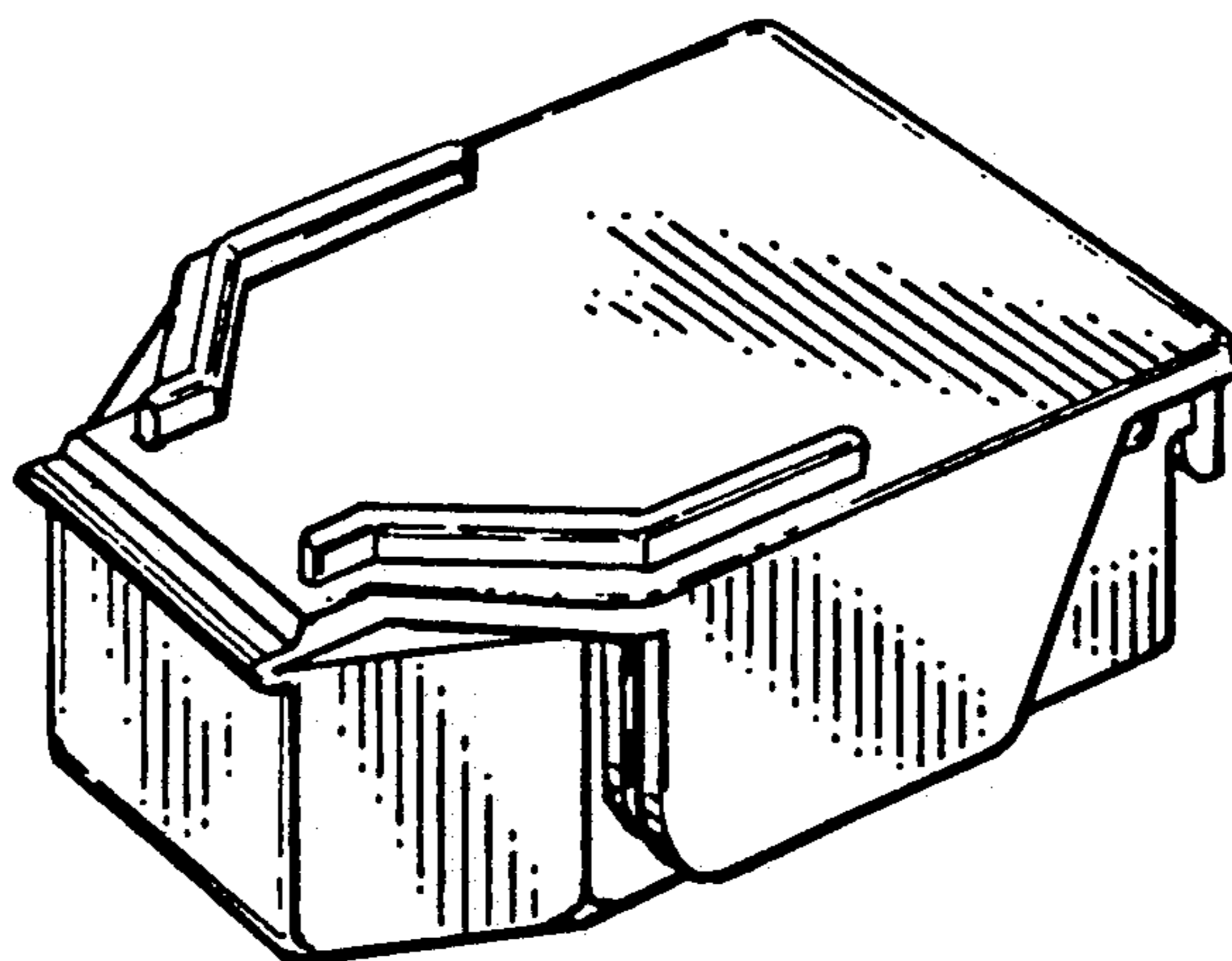
FIG. 10 is a top plan view of FIG. 8;

FIG. 11 is a front elevational view of FIG. 8;

FIG. 12 is a right side elevational view of FIG. 8, the left side being a mirror image of that shown;

FIG. 13 is a rear elevational view of FIG. 8; and

FIG. 14 is a bottom plan view of FIG. 8.



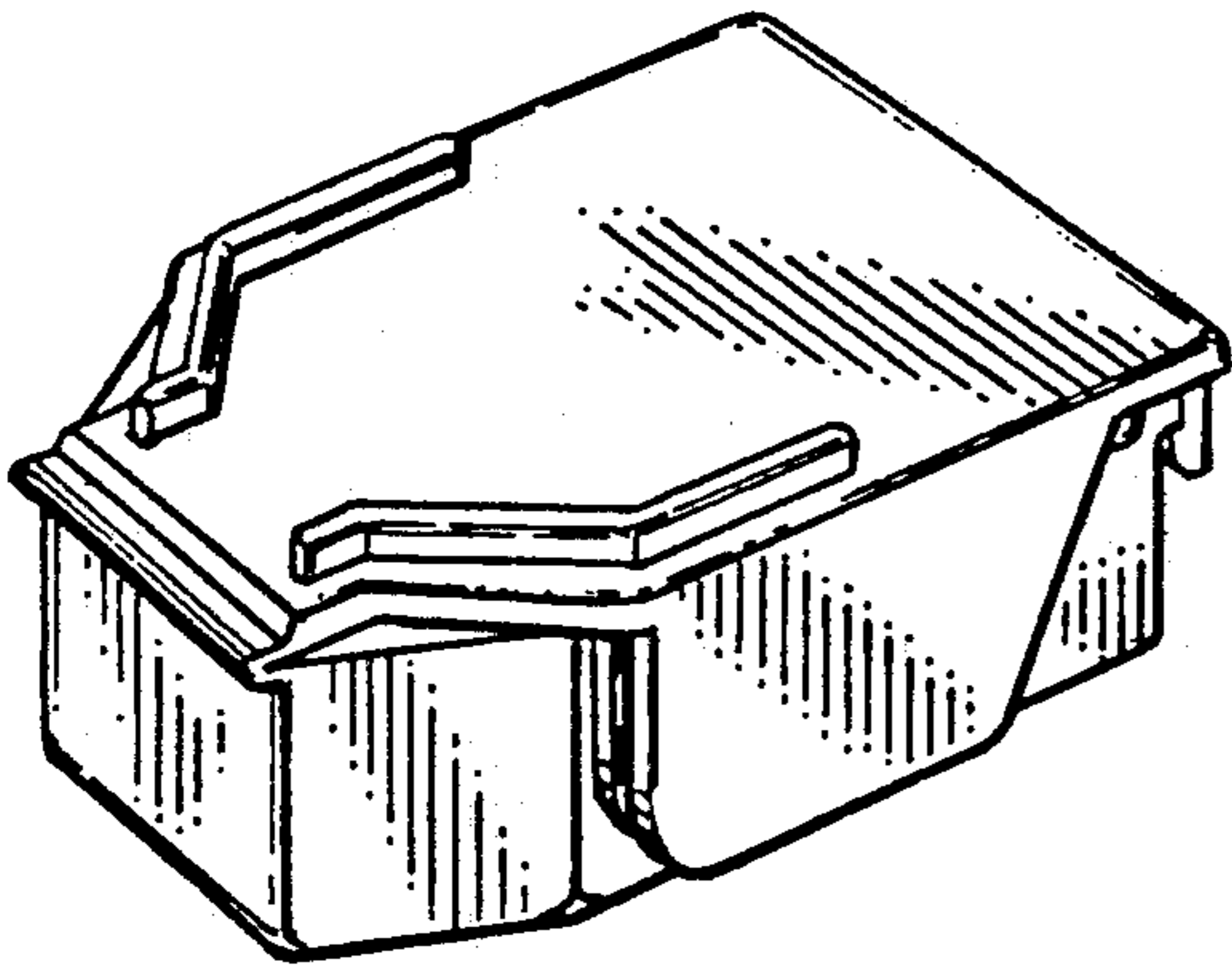


FIG. 1

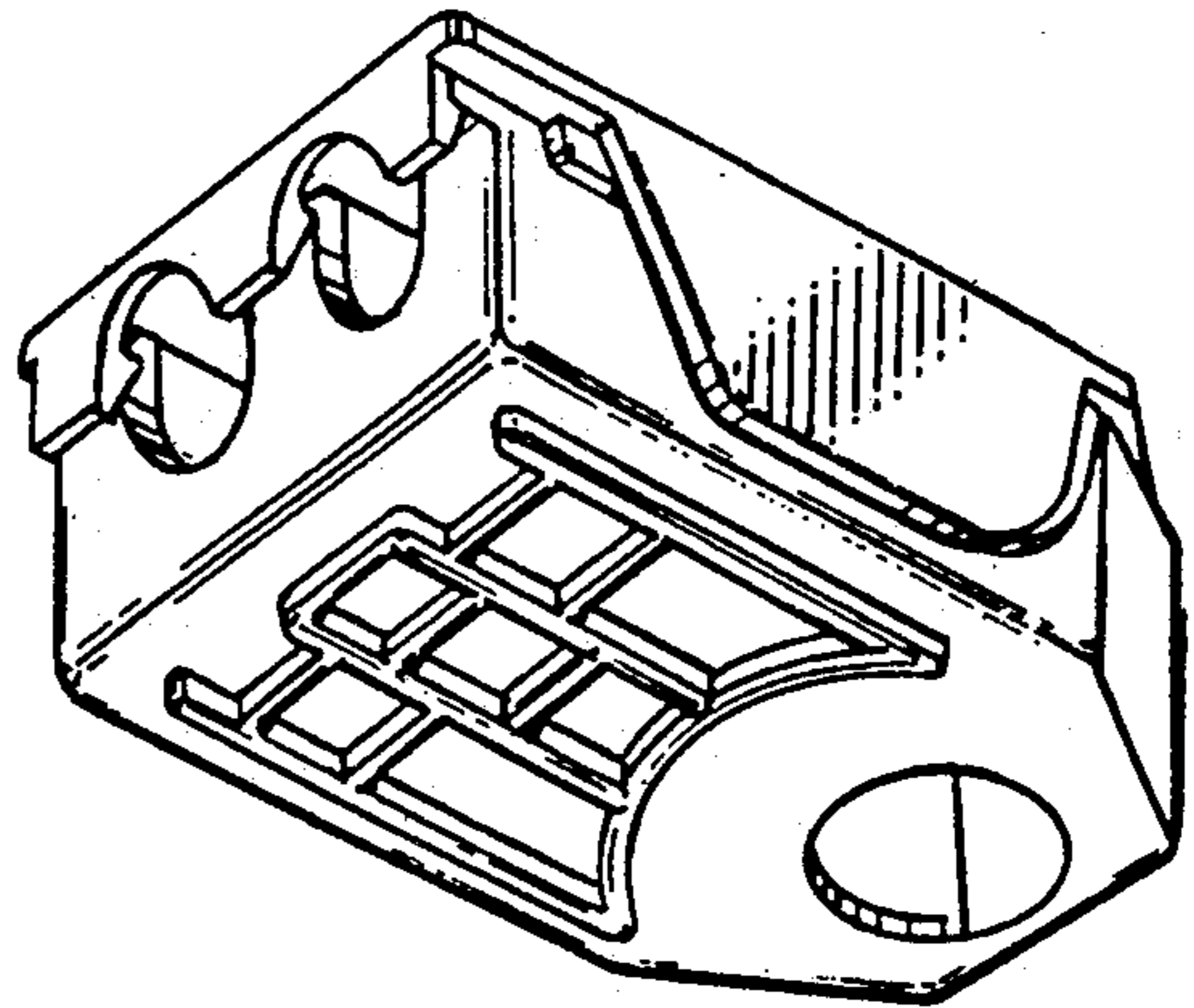


FIG. 2

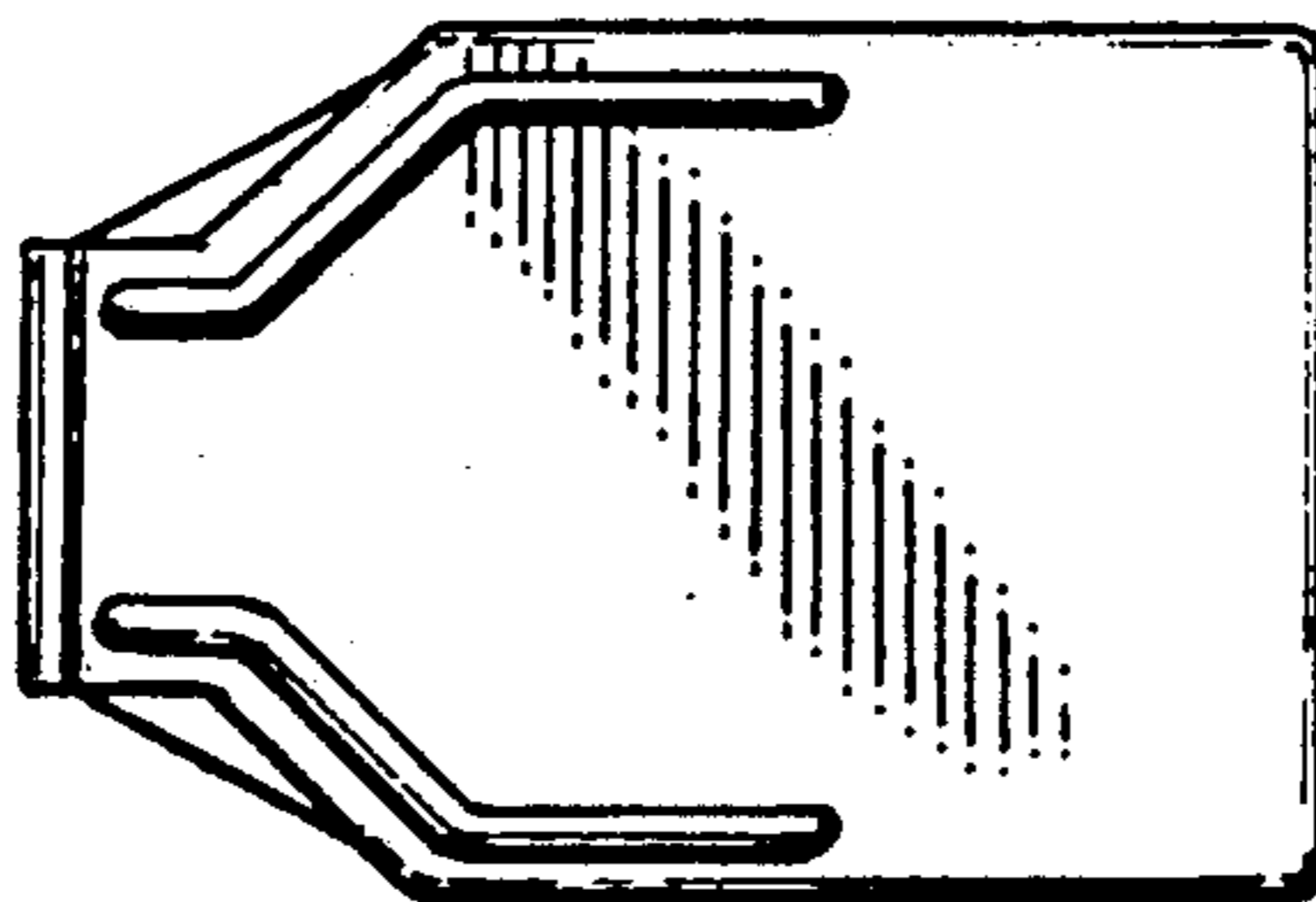


FIG. 3

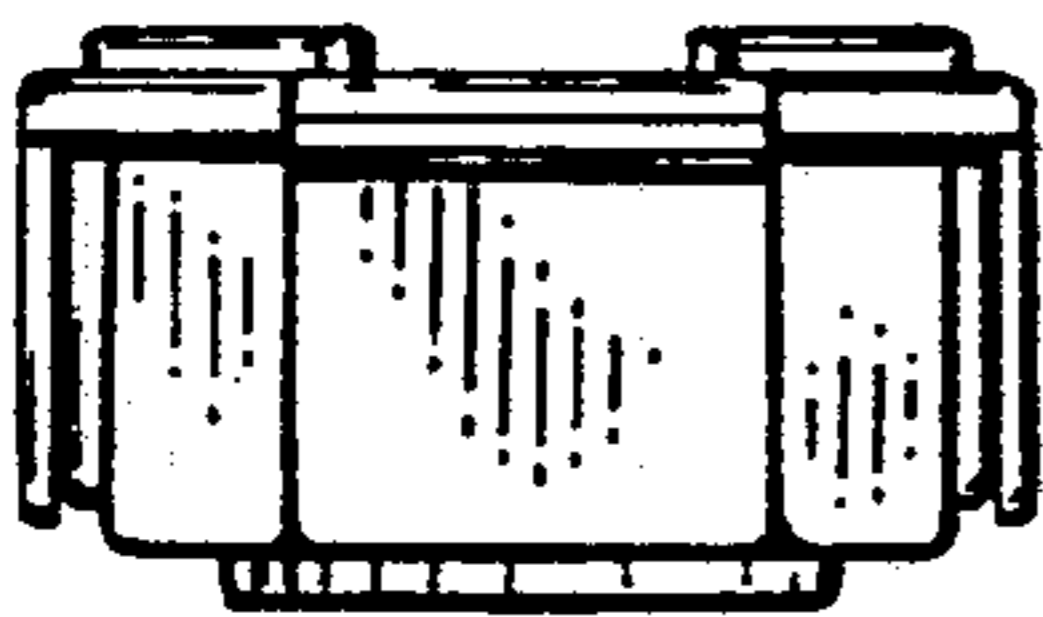


FIG. 4



FIG. 5

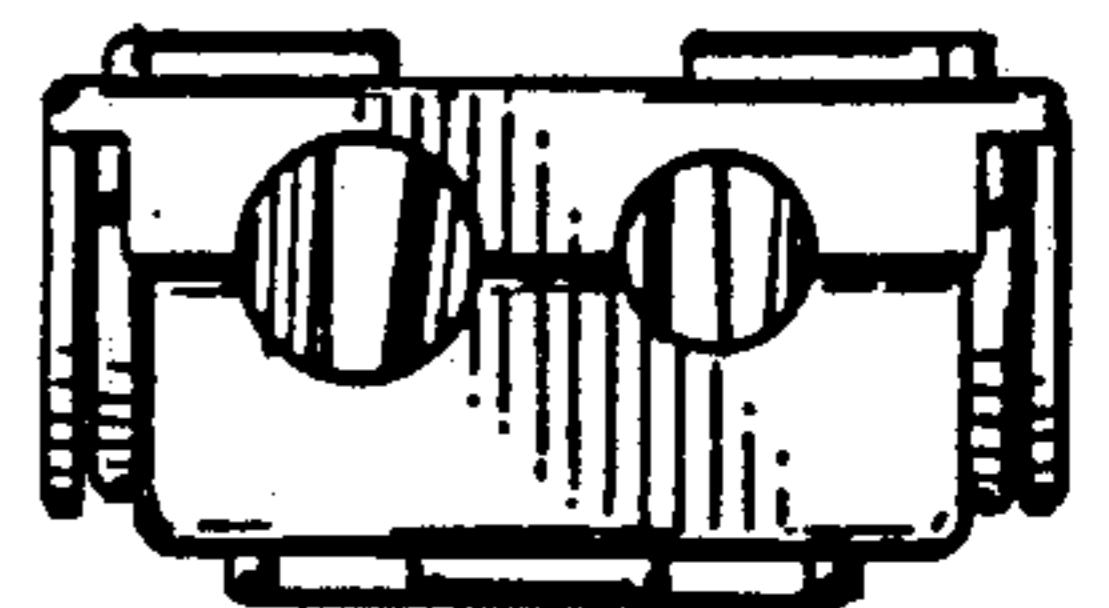


FIG. 6

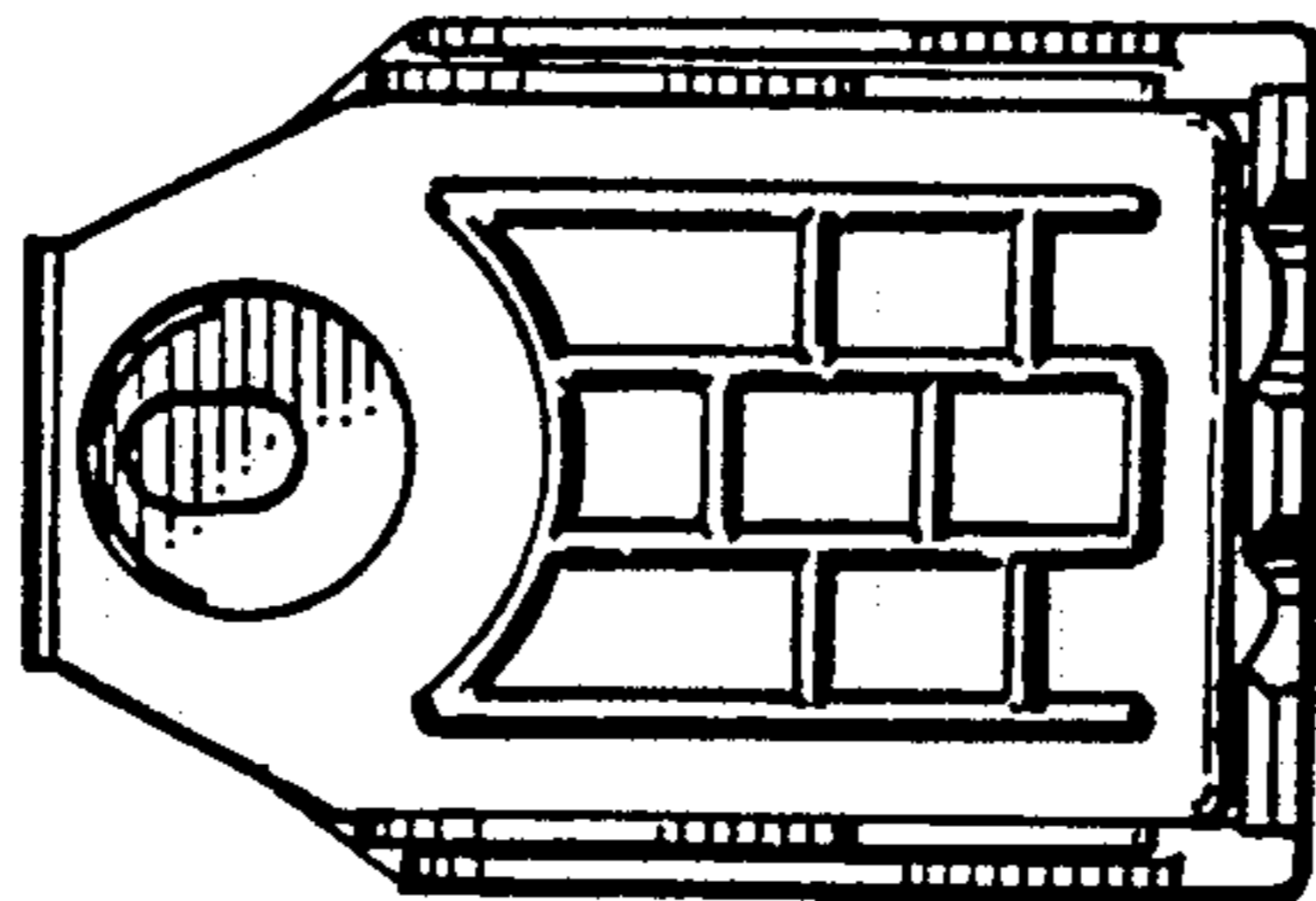


FIG. 7

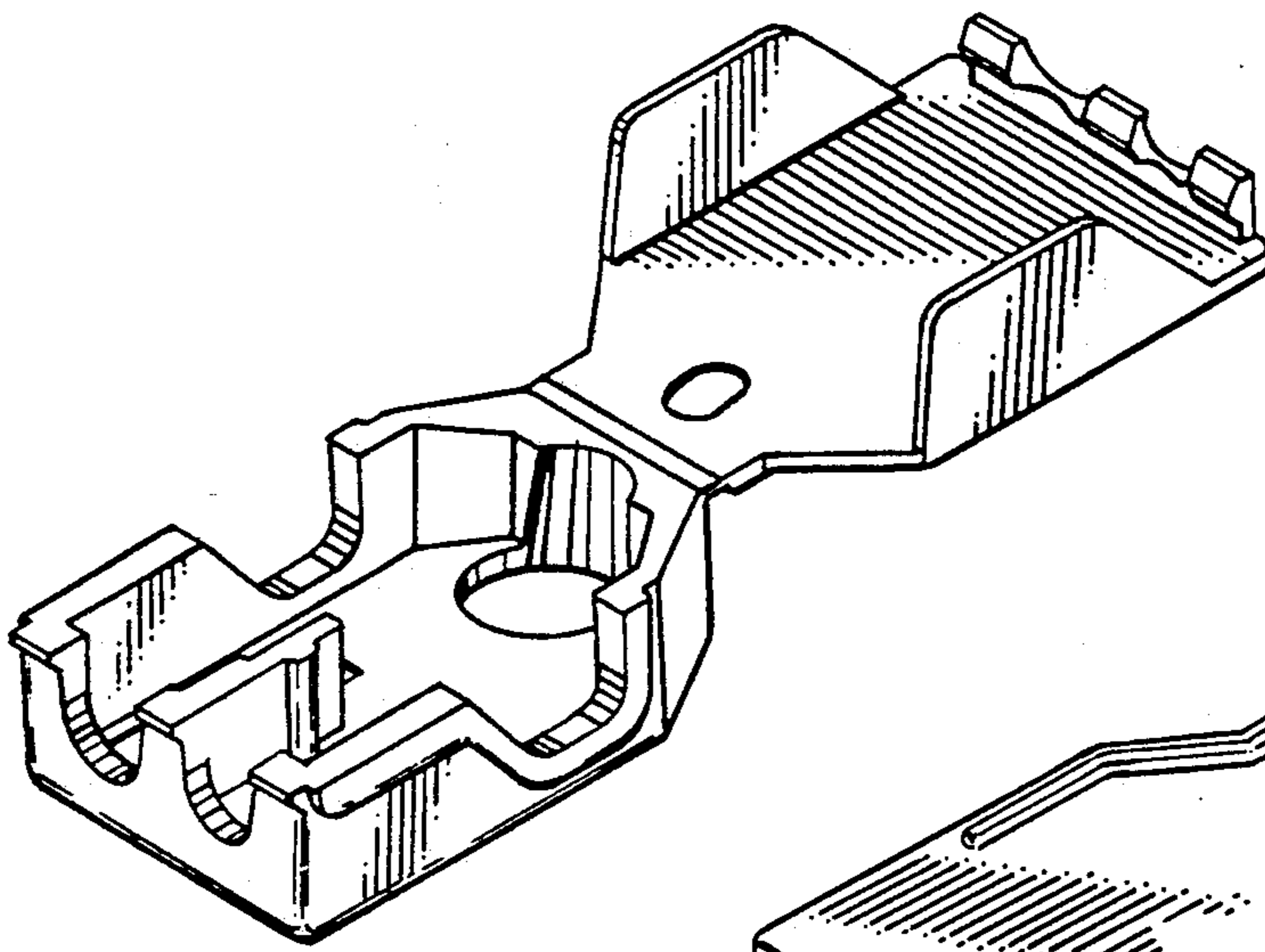


FIG. 8

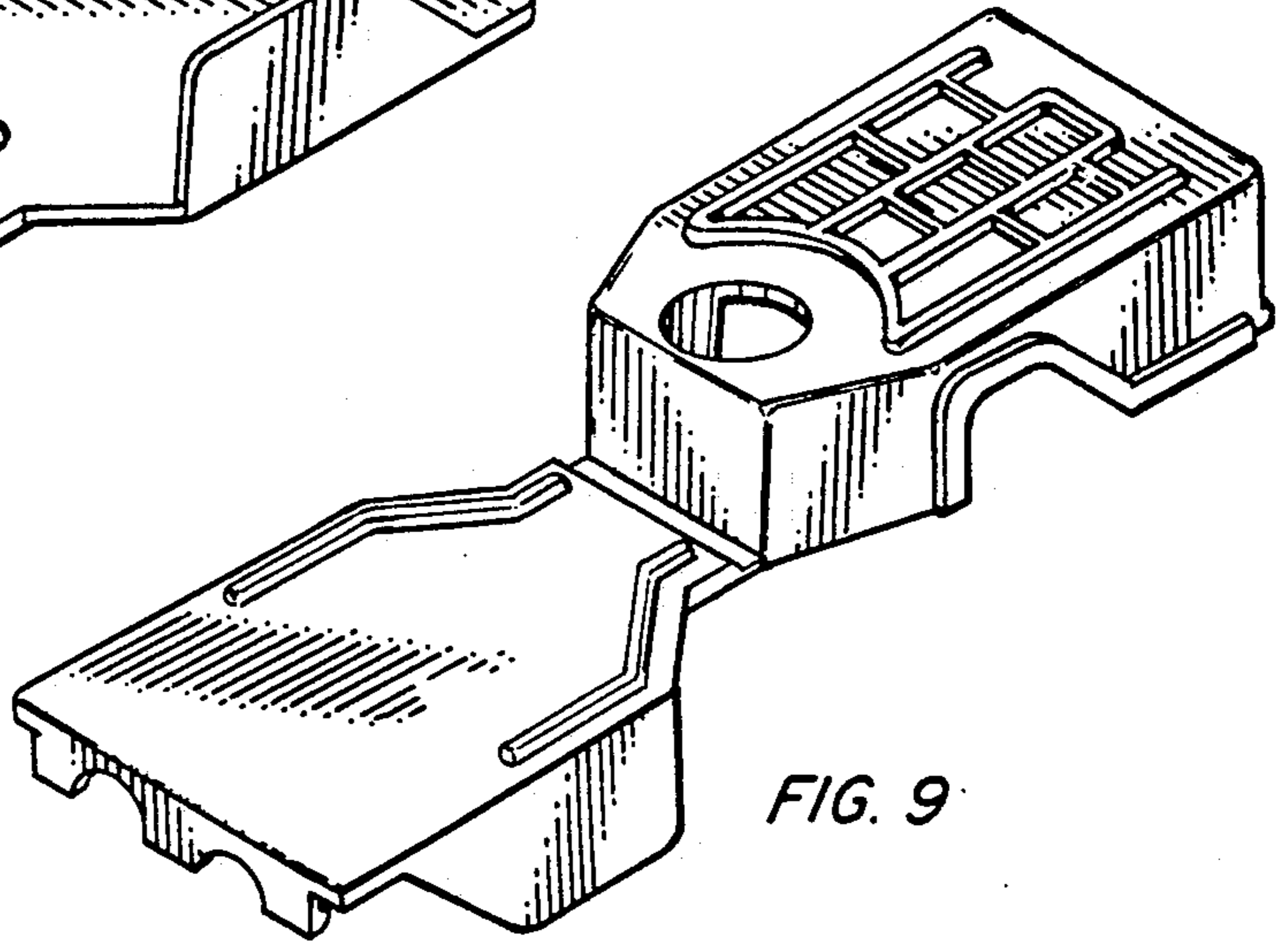


FIG. 9

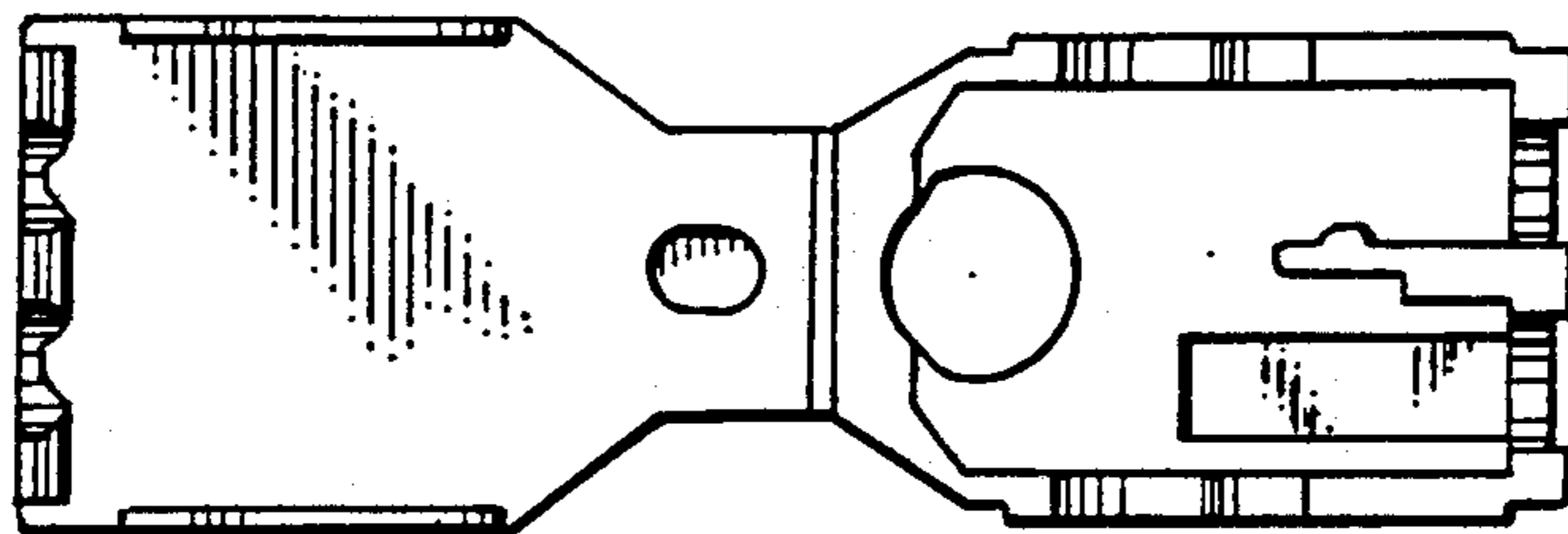


FIG. 10

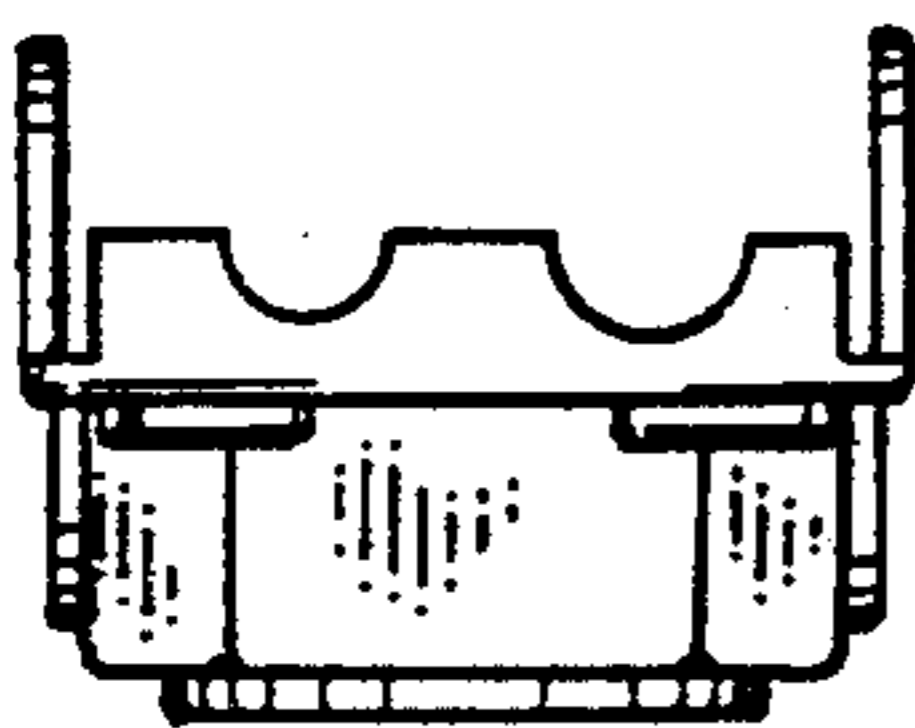


FIG. 11

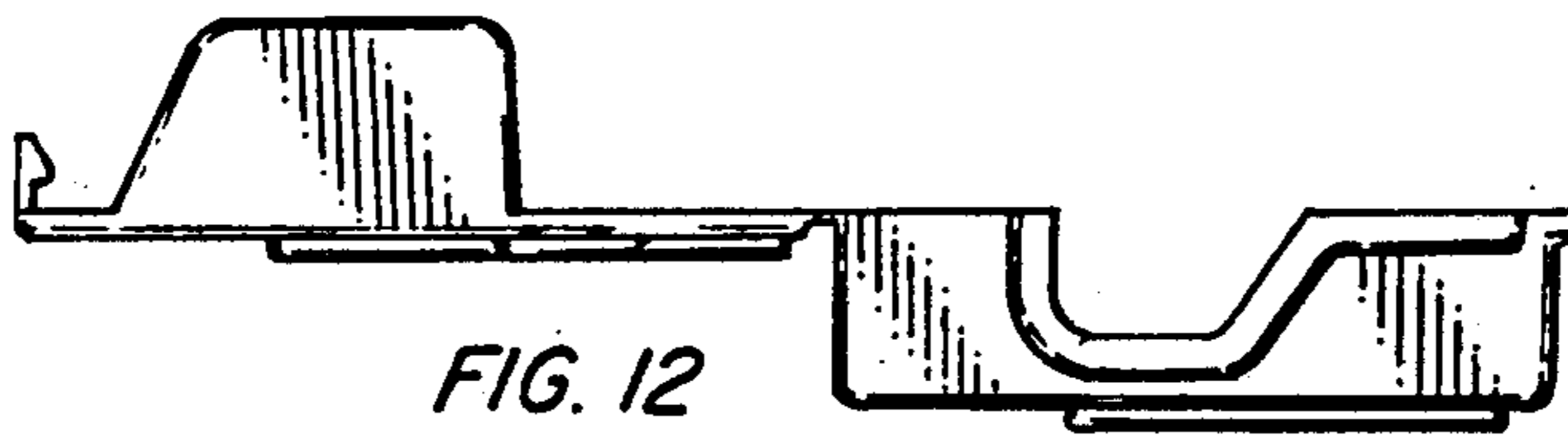


FIG. 12

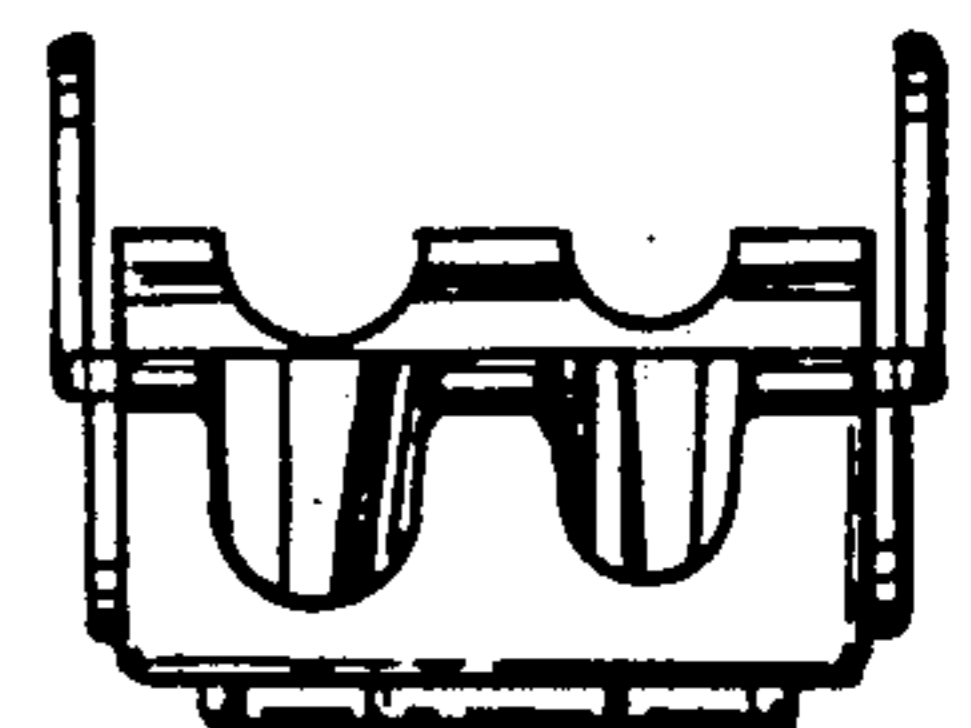


FIG. 13

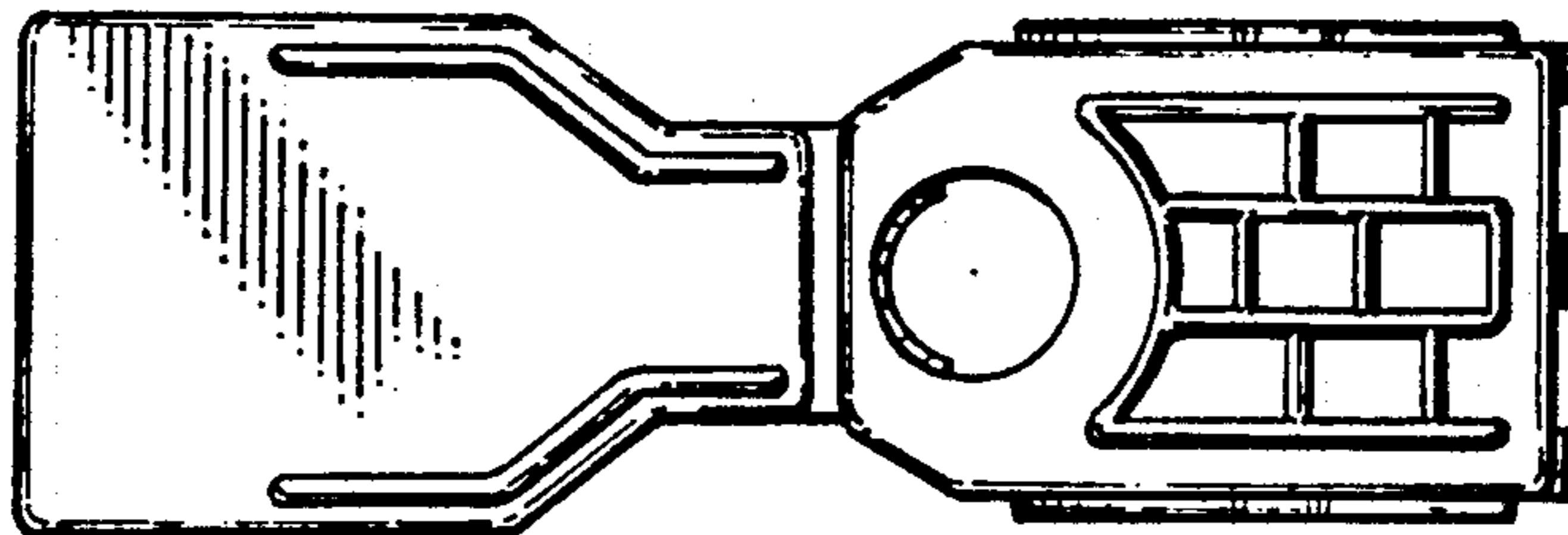


FIG. 14