

[54] SAILING CRAFT

4,688,504 8/1987 Sulz et al. .... 114/283

[75] Inventors: Toshiharu Yamada, Cypress, Calif.;  
Kunihiko Kobayashi, Iwata, Japan

Primary Examiner—Kay H. Chin  
Attorney, Agent, or Firm—Ernest A. Beutler

[73] Assignee: Yamaha Hatsudoki Kabushiki Kaisha,  
Iwata, Japan

[57] CLAIM

The ornamental design for a sailing craft, as shown and described.

[\*\*] Term: 14 Years

[21] Appl. No.: 315,034

DESCRIPTION

[22] Filed: Feb. 24, 1989

[52] U.S. Cl. .... D12/304; D12/303

[58] Field of Search ..... D12/304, 303, 300, 309;  
114/61, 56, 283, 280, 281, 39.1, 39.2; D21/228,  
236

FIG. 1 is a top, front and side perspective view of a sailing craft showing our new design;

FIG. 2 is a top, front and side perspective view thereof with the mast removed;

FIG. 3 is a top plan view of FIG. 2;

FIG. 4 is a side elevational view of FIG. 2, the opposite side view being a mirror image of that shown;

FIG. 5 is a bottom plan view of FIG. 2;

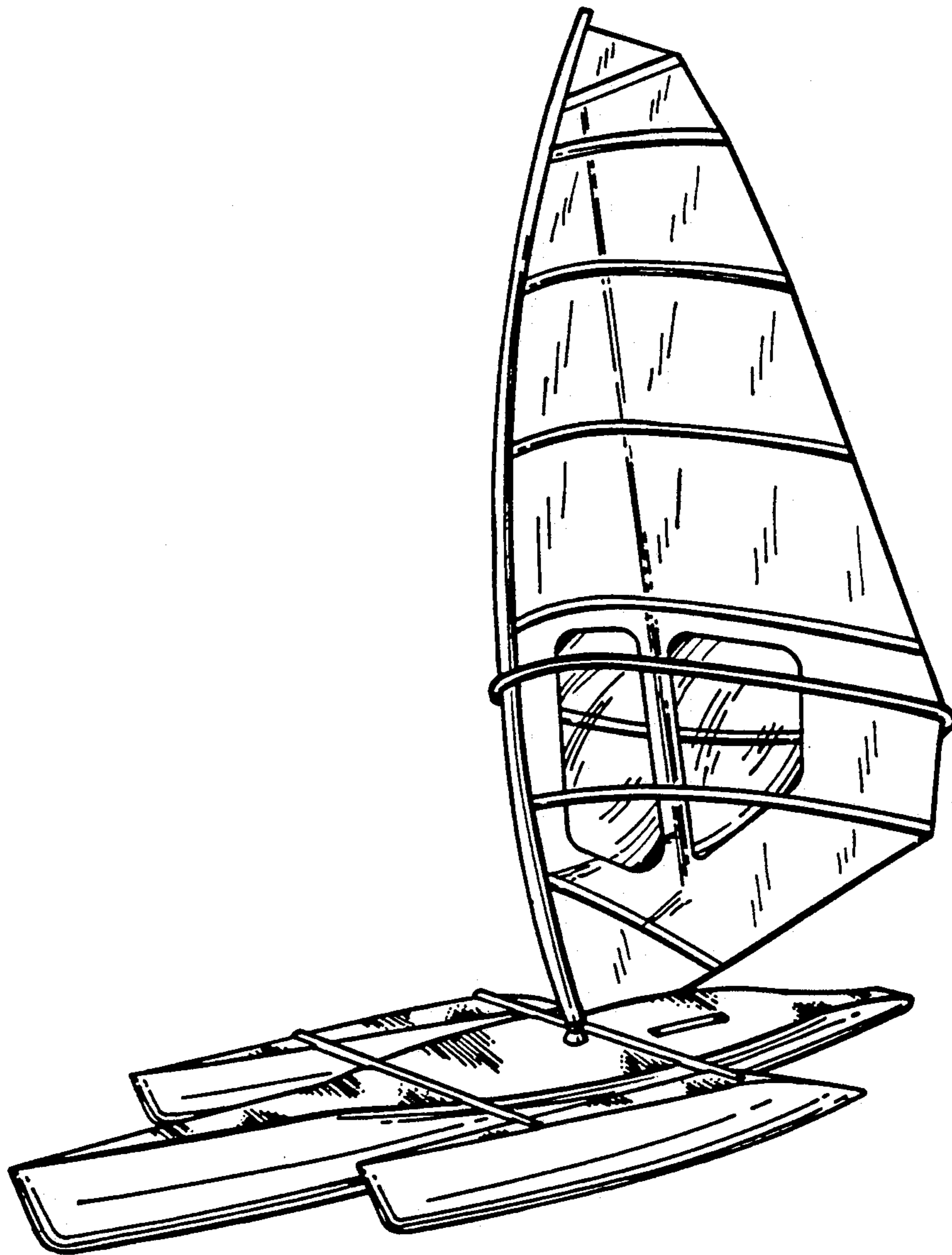
FIG. 6 is a front elevational view of FIG. 2; and

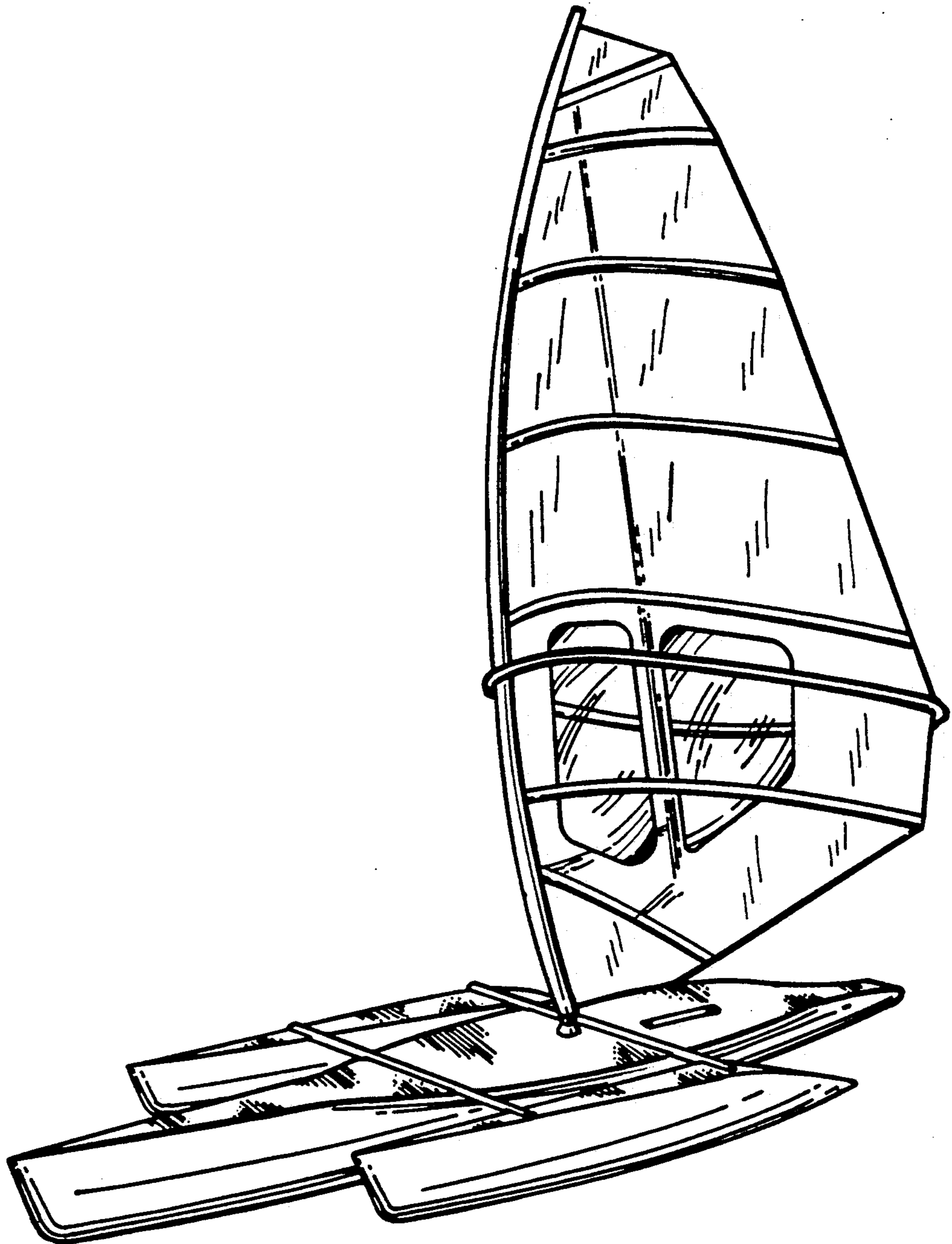
FIG. 7 is a rear elevational view of FIG. 2.

[56] References Cited

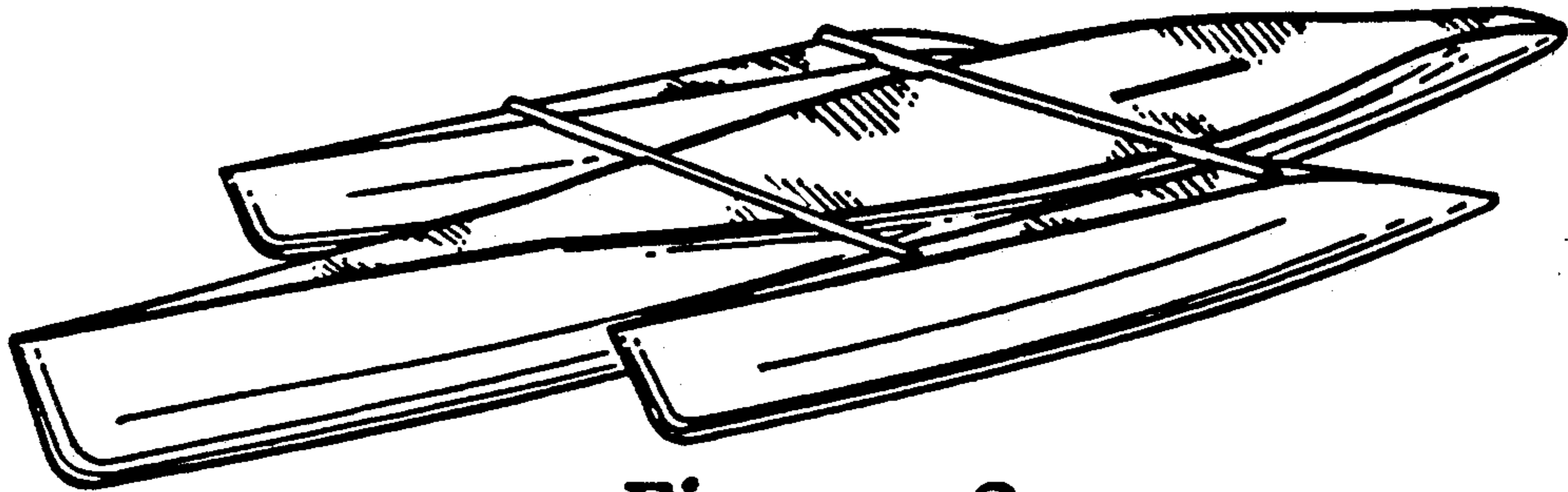
U.S. PATENT DOCUMENTS

4,582,011 4/1986 Logan ..... D12/309

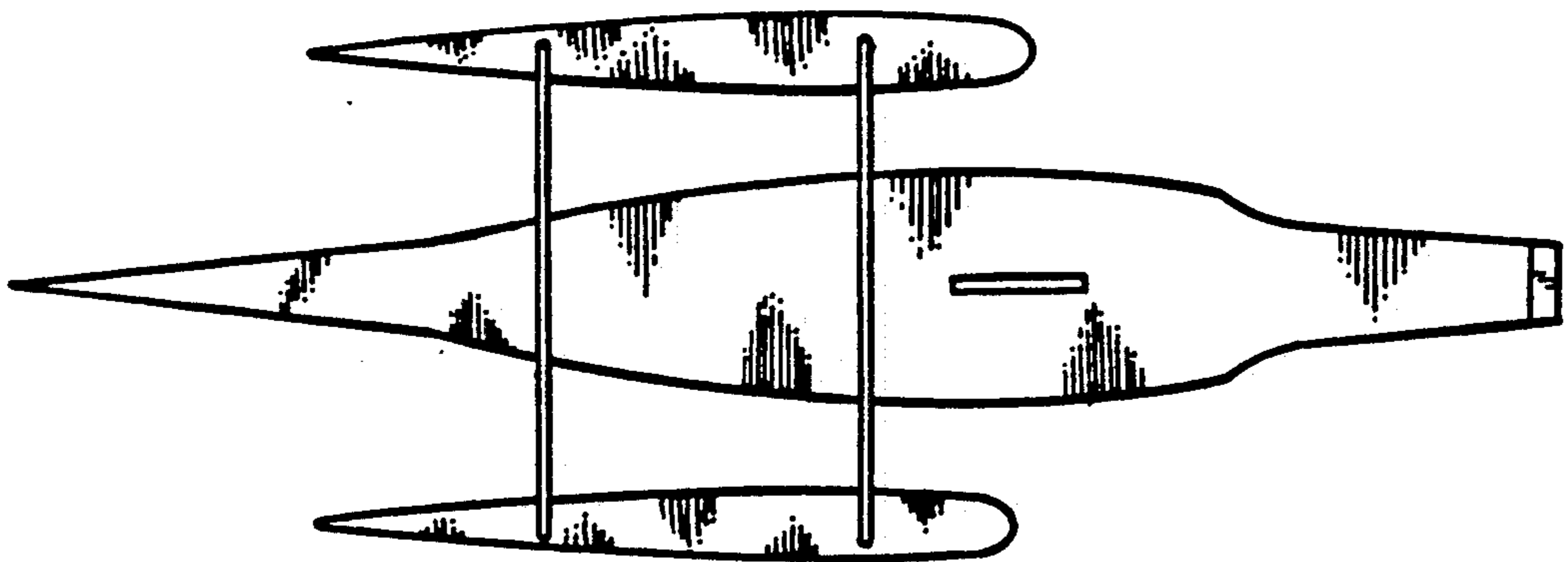




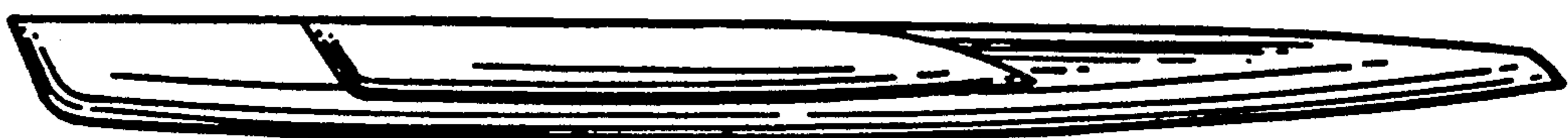
**Figure 1**



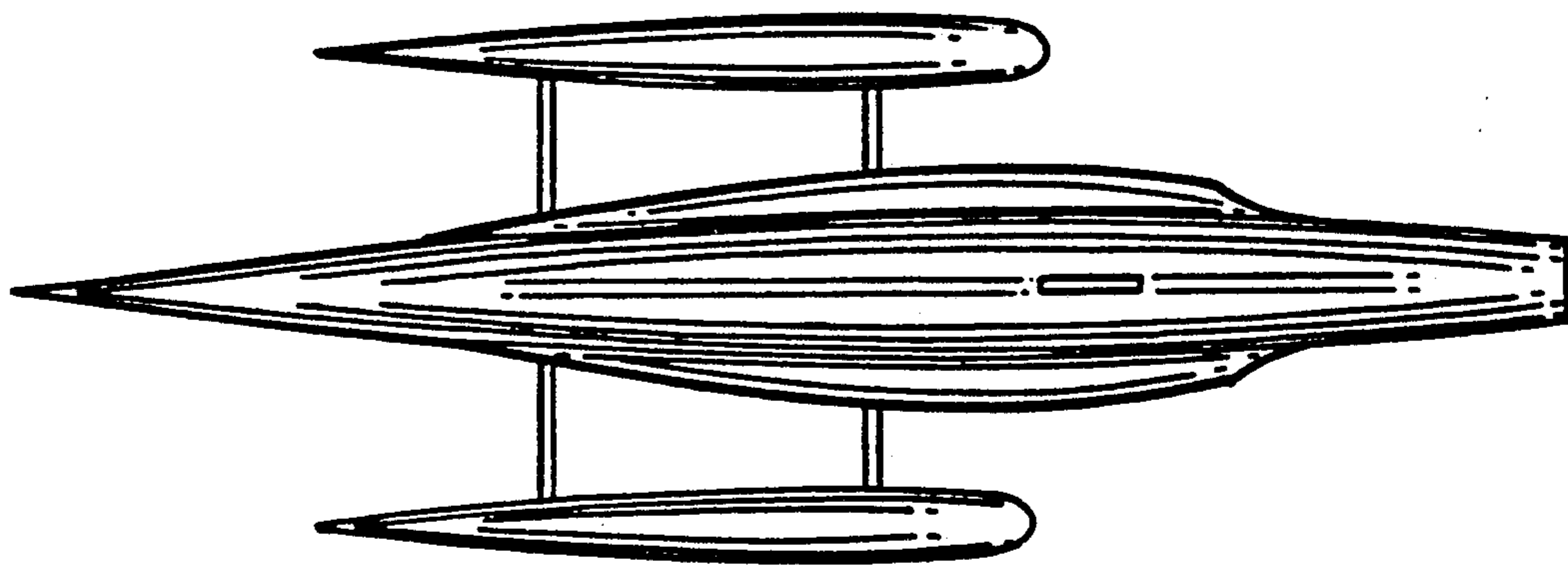
**Figure 2**



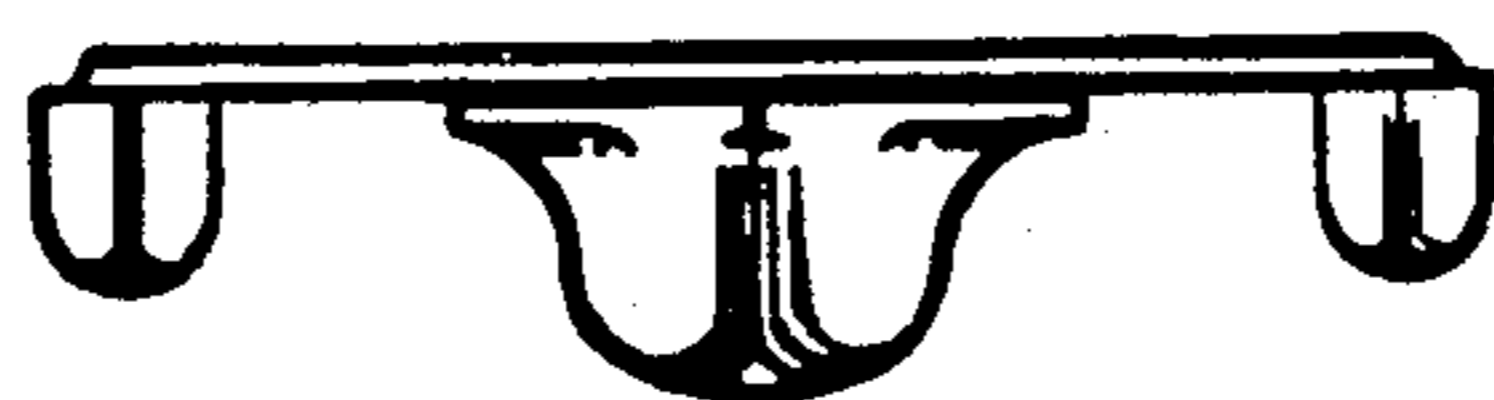
**Figure 3**



**Figure 4**



*Figure 5*



*Figure 6*



*Figure 7*