

[54] GLARE REDUCTION SHIELD FOR ATTACHMENT TO A VEHICLE MIRROR OR SIMILAR ARTICLE

4,865,427 9/1989 Lu et al. .... 350/283

[76] Inventor: Charles C. Rebeck, R.R. 3, Box 28A, Winamac, Ind. 46996

Primary Examiner—James M. Gandy  
Assistant Examiner—Melody Brown  
Attorney, Agent, or Firm—Woodard, Emhardt, Naughton, Moriarty & McNett

[\*\*] Term: 14 Years

[57] CLAIM

[21] Appl. No.: 232,653

The ornamental design for a glare reduction shield for attachment to a vehicle mirror or similar article, as shown.

[22] Filed: Aug. 15, 1988

[52] U.S. Cl. .... D12/187; D12/191

[58] Field of Search ..... D12/187; 350/582, 584, 350/276 R, 283; 296/97.1

DESCRIPTION

[56] References Cited

U.S. PATENT DOCUMENTS

1,990,222	2/1935	Burlein .....	350/283
2,639,641	5/1953	Piwczynski et al. ....	350/283
3,133,139	5/1964	Beers .....	350/283
4,253,737	5/1981	Thomsen et al. ....	350/276 R
4,560,251	12/1985	Murjahn .....	350/283
4,639,085	1/1987	Marcus et al. ....	350/283

FIG. 1 is a front elevational view of a glare reduction shield for attachment to a vehicle mirror or similar article showing my new design;  
FIG. 2 is a right side elevational view thereof;  
FIG. 3 is a left side elevational view thereof;  
FIG. 4 is a top plan view thereof;  
FIG. 5 is a bottom plan view thereof;  
FIG. 6 is a rear elevational view thereof;  
FIG. 7 is a sectional view thereof taken along line 7—7 in FIG. 6.

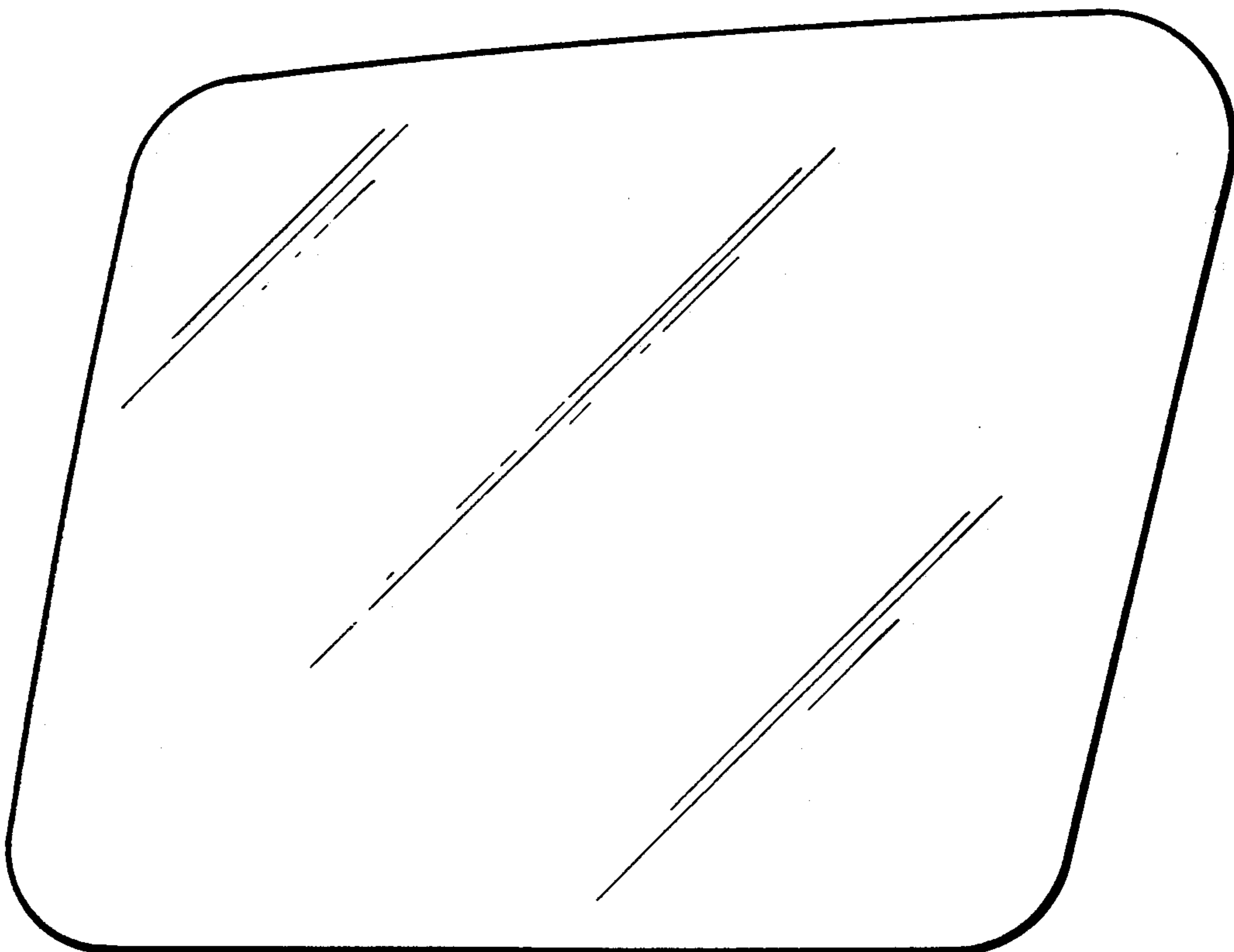




Fig.4



Fig.3

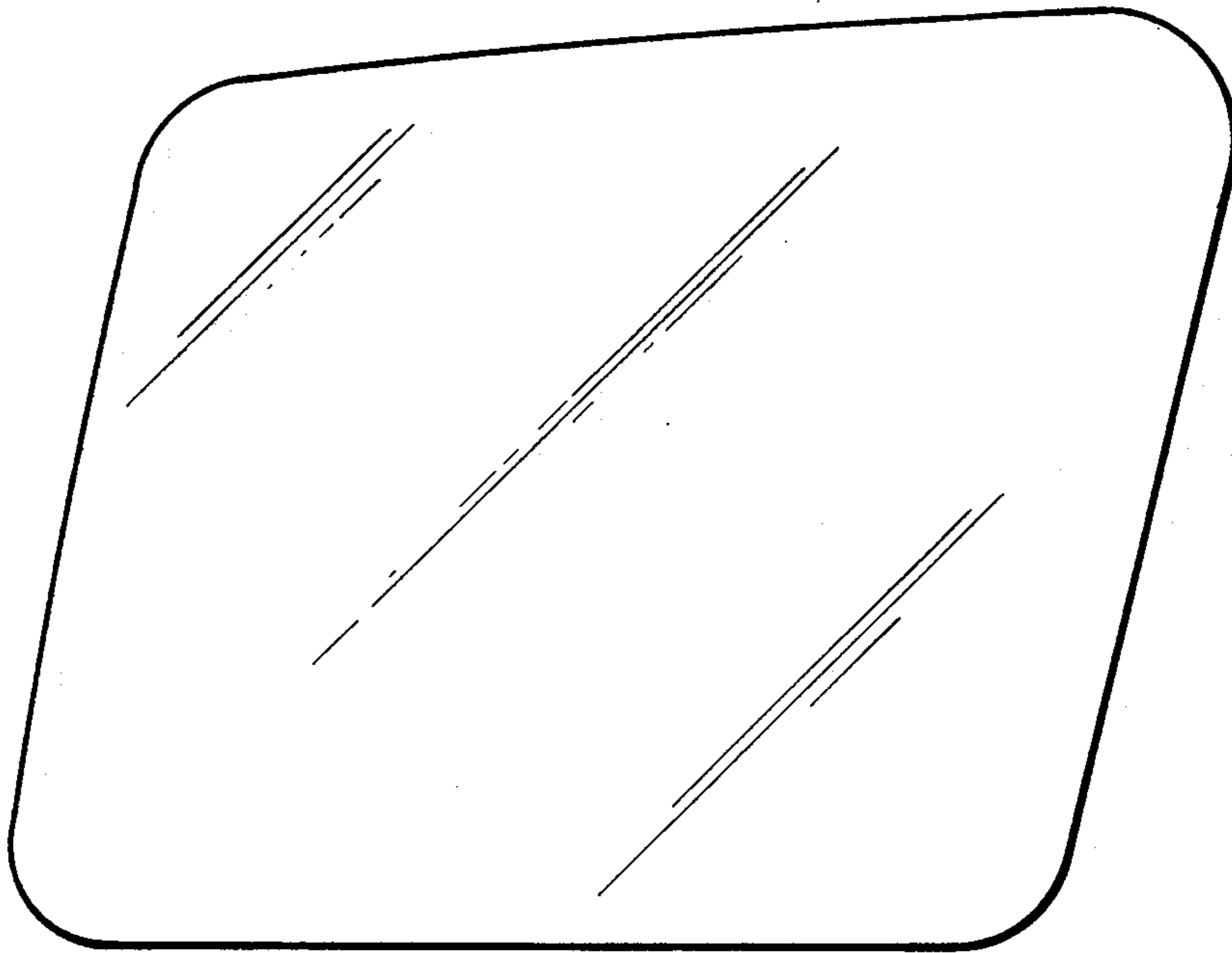


Fig.1



Fig.2



Fig.5



Fig.7

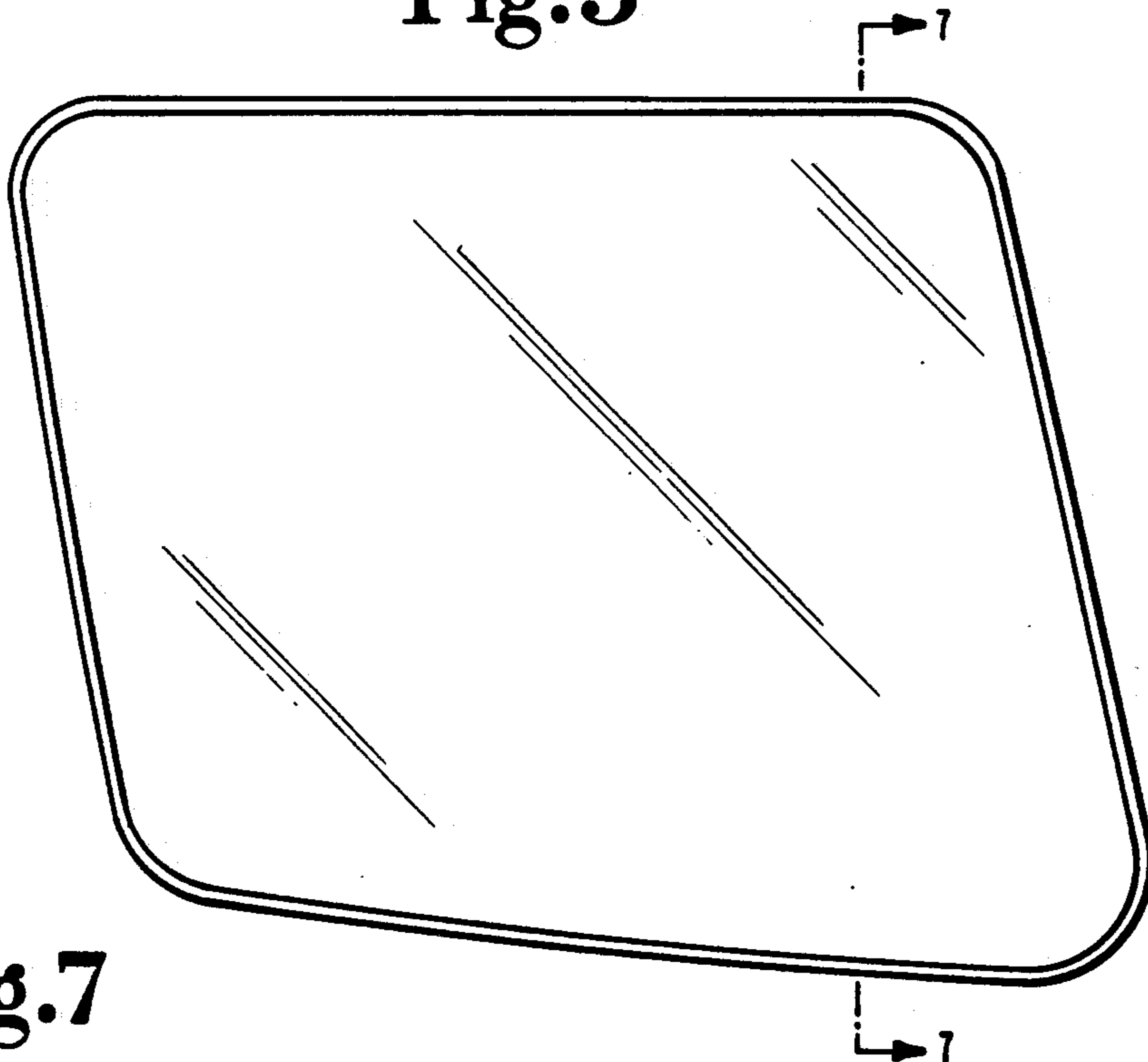


Fig.6