

[54] VEHICLE SERVICE TRAILER, OR SIMILAR ARTICLE

[76] Inventor: Raymond E. Teagarden, 9430 Mission Blvd., Riverside, Calif. 92509

[\*\*] Term: 14 Years

[21] Appl. No.: 276,554

[22] Filed: Nov. 28, 1988

[52] U.S. Cl. .... D12/94

[58] Field of Search ..... D12/94, 101; 296/181, 296/182; 414/462, 537

[56] References Cited

U.S. PATENT DOCUMENTS

3,693,818	9/1972	Teagarden	414/537
3,970,203	7/1976	Watson, Jr.	D12/107
4,119,224	10/1978	Moody	414/537
4,188,056	2/1980	Watson	414/537

FOREIGN PATENT DOCUMENTS

2129745 5/1984 United Kingdom ..... 296/181

Primary Examiner—James M. Gandy  
Assistant Examiner—Melody Brown  
Attorney, Agent, or Firm—John H. Crowe

[57] CLAIM

The ornamental design for a vehicle service trailer or similar article, as shown and described.

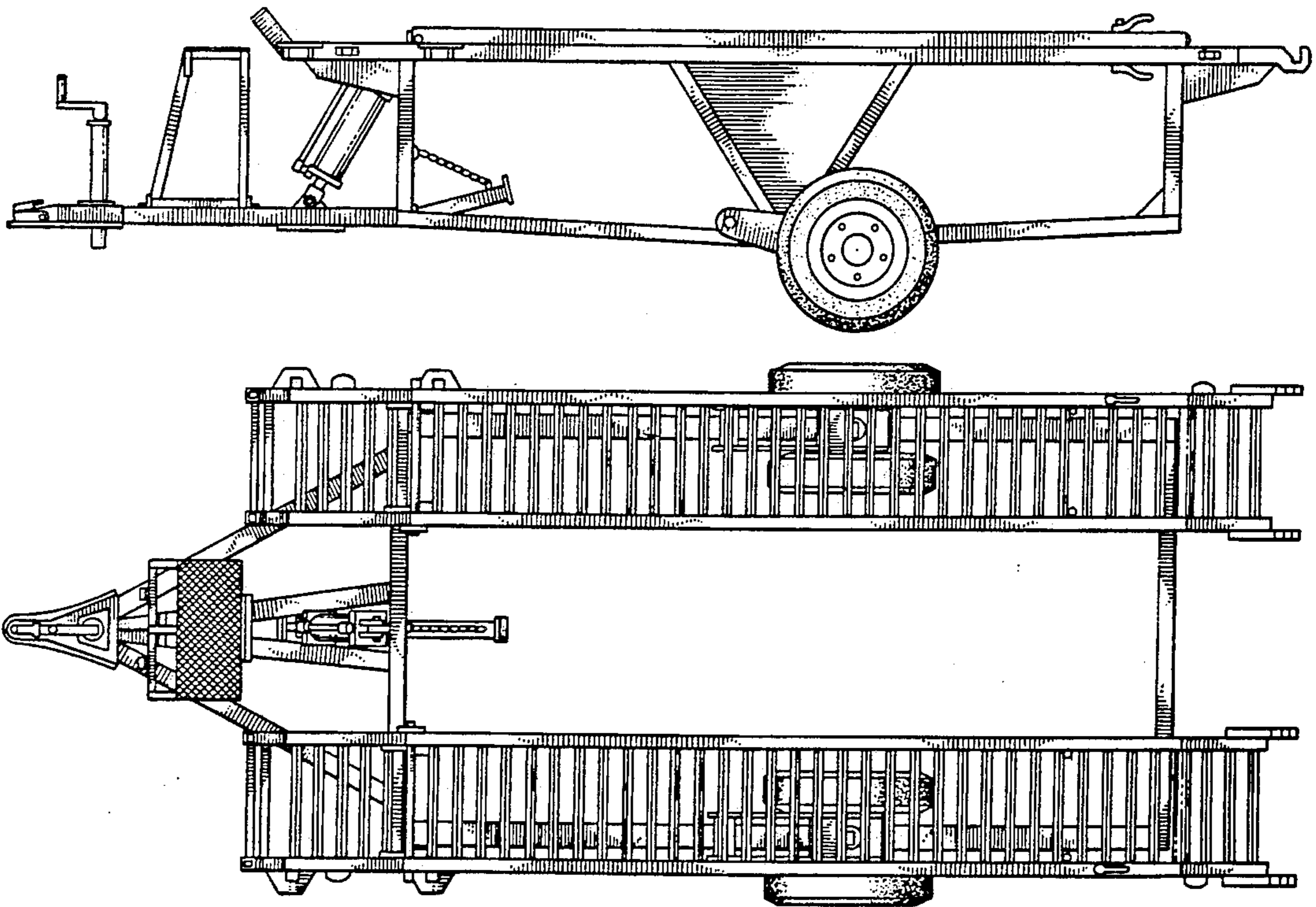
DESCRIPTION

FIG. 1 is a side elevational view of a vehicle service trailer, or similar article, showing my new design, the opposite side elevational view being a mirror image thereof.

FIG. 2 is a top plan view thereof.

FIG. 3 is an enlarged front elevational view thereof.

FIG. 4 is a rear elevational view thereof drawn to the same scale as FIG. 3.



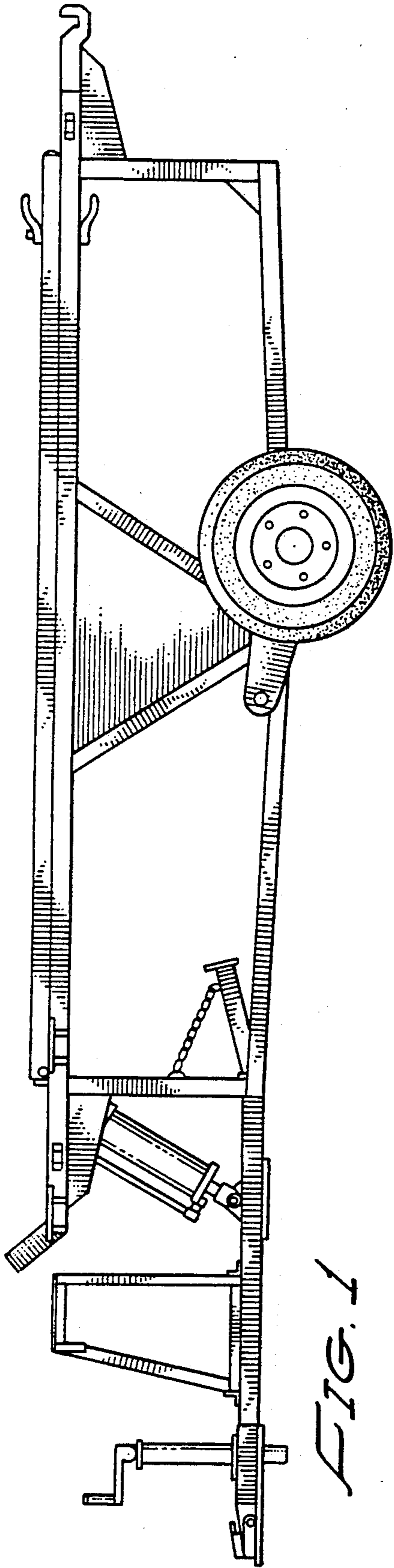
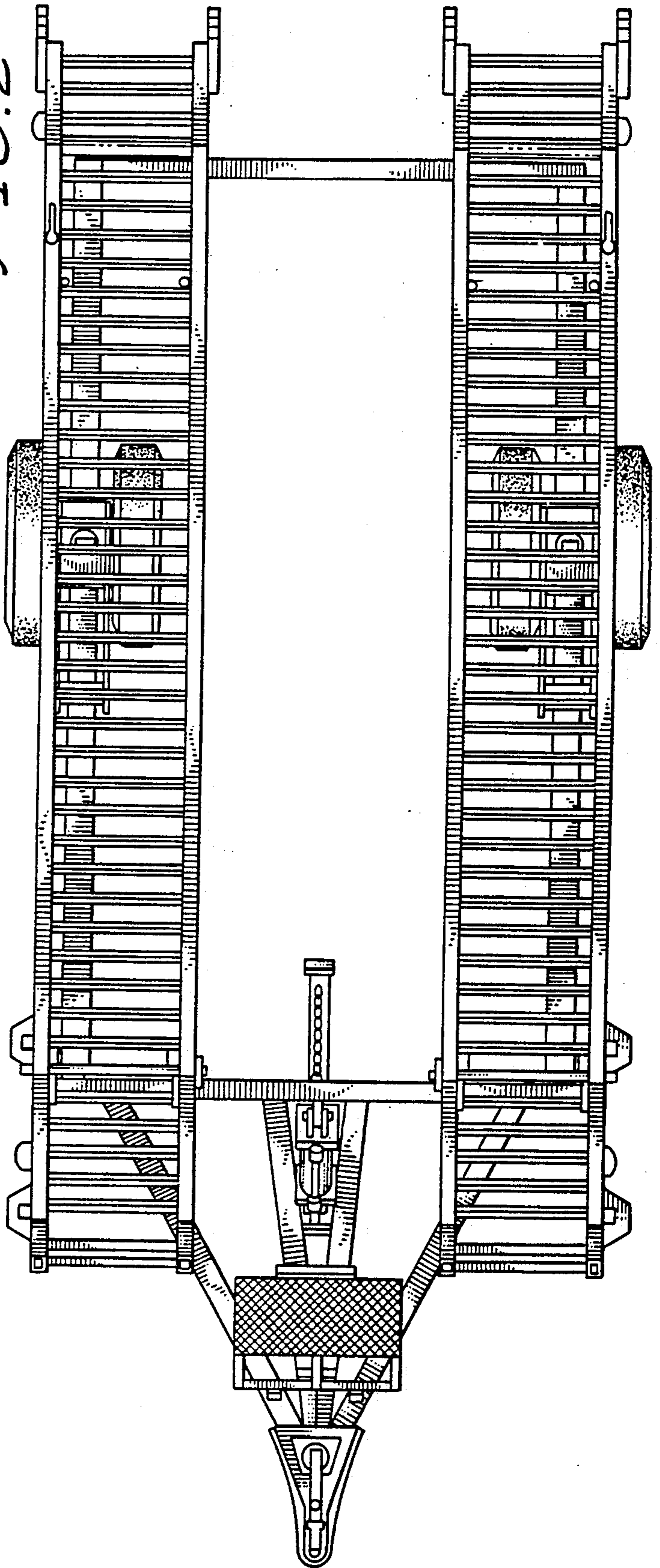
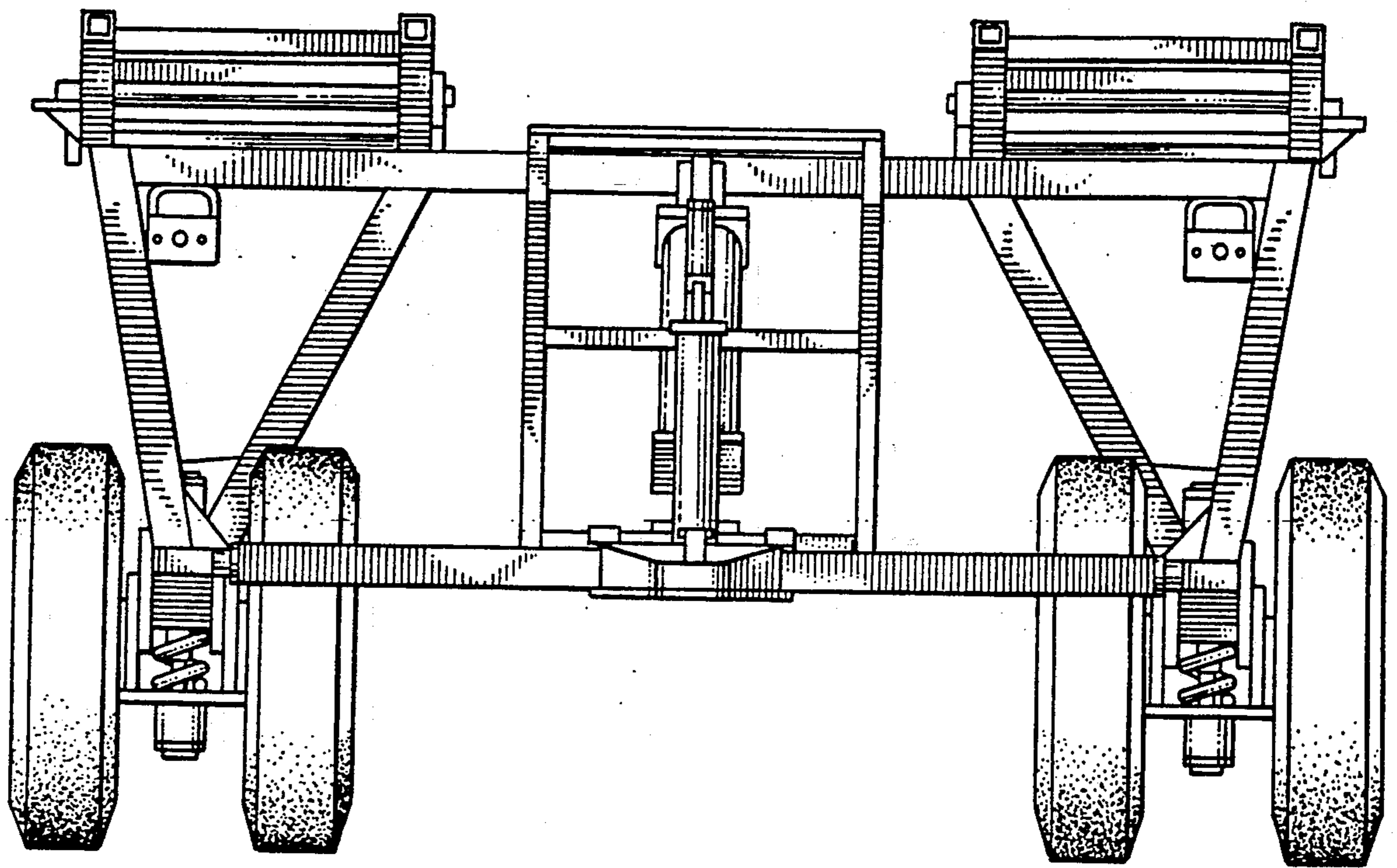


FIG. 1

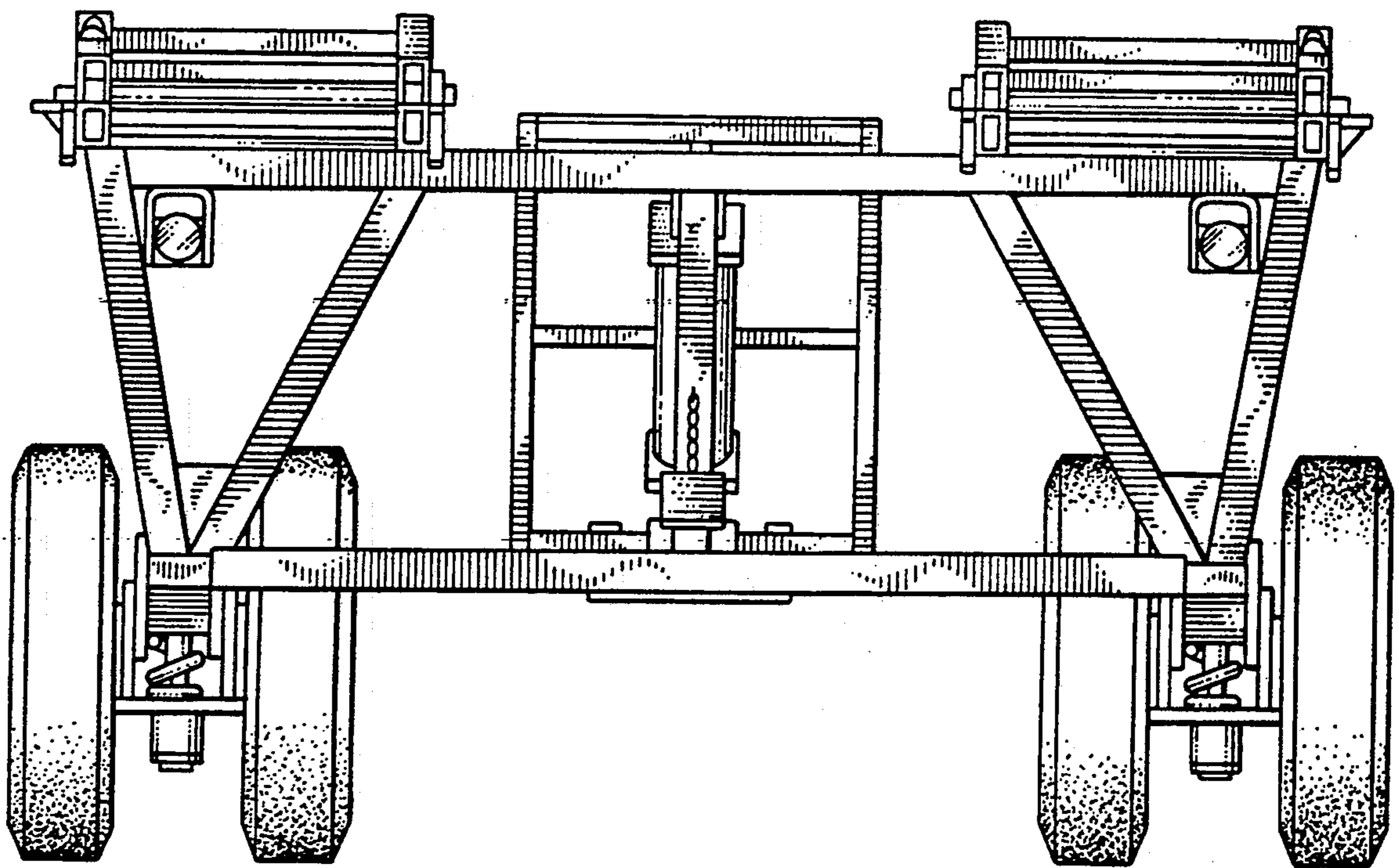
FIG. 2







*FIG. 3*



*FIG. 4*