

[54] ALARM FOR A BICYCLE

D. 264,451 5/1982 Butler et al. .... D10/106

[76] Inventor: Darren S. Labas, 142 - 8 St. NW.,  
Medicine Hat, Alberta, Canada, T1A  
6P3

Primary Examiner—Wallace R. Burke  
Assistant Examiner—Marcus Jackson  
Attorney, Agent, or Firm—Jerry T. Kearns

[\*\*] Term: 14 Years

[57] CLAIM

[21] Appl. No.: 216,249

The ornamental design for an alarm for a bicycle, as  
shown and described.

[22] Filed: Jul. 7, 1988

DESCRIPTION

[52] U.S. Cl. .... D10/116

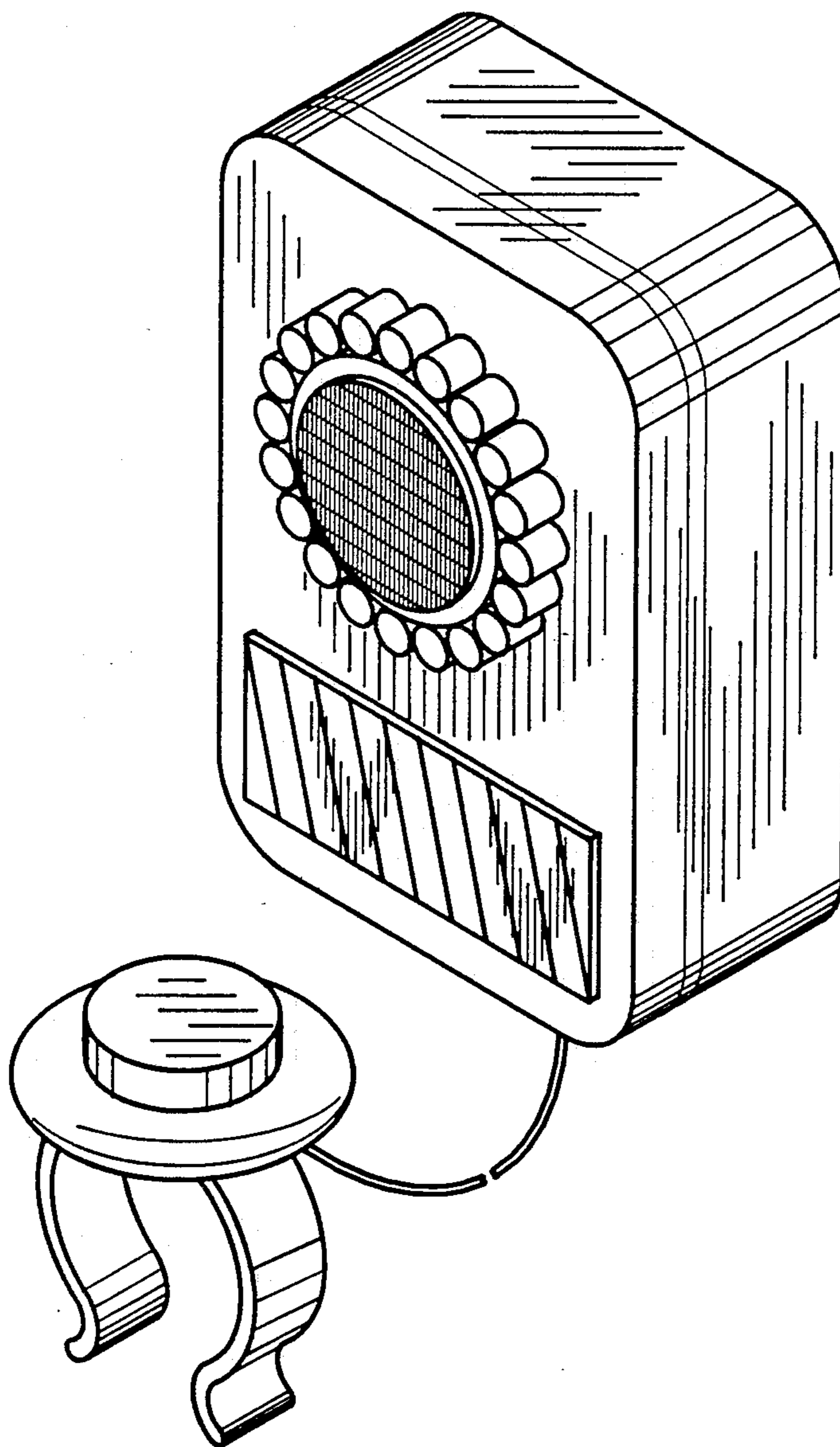
[58] Field of Search ..... D10/104, 106, 121, 116;  
340/63, 65, 539, 541, 545, 546, 547, 560, 561,  
562, 565, 566, 571, 572

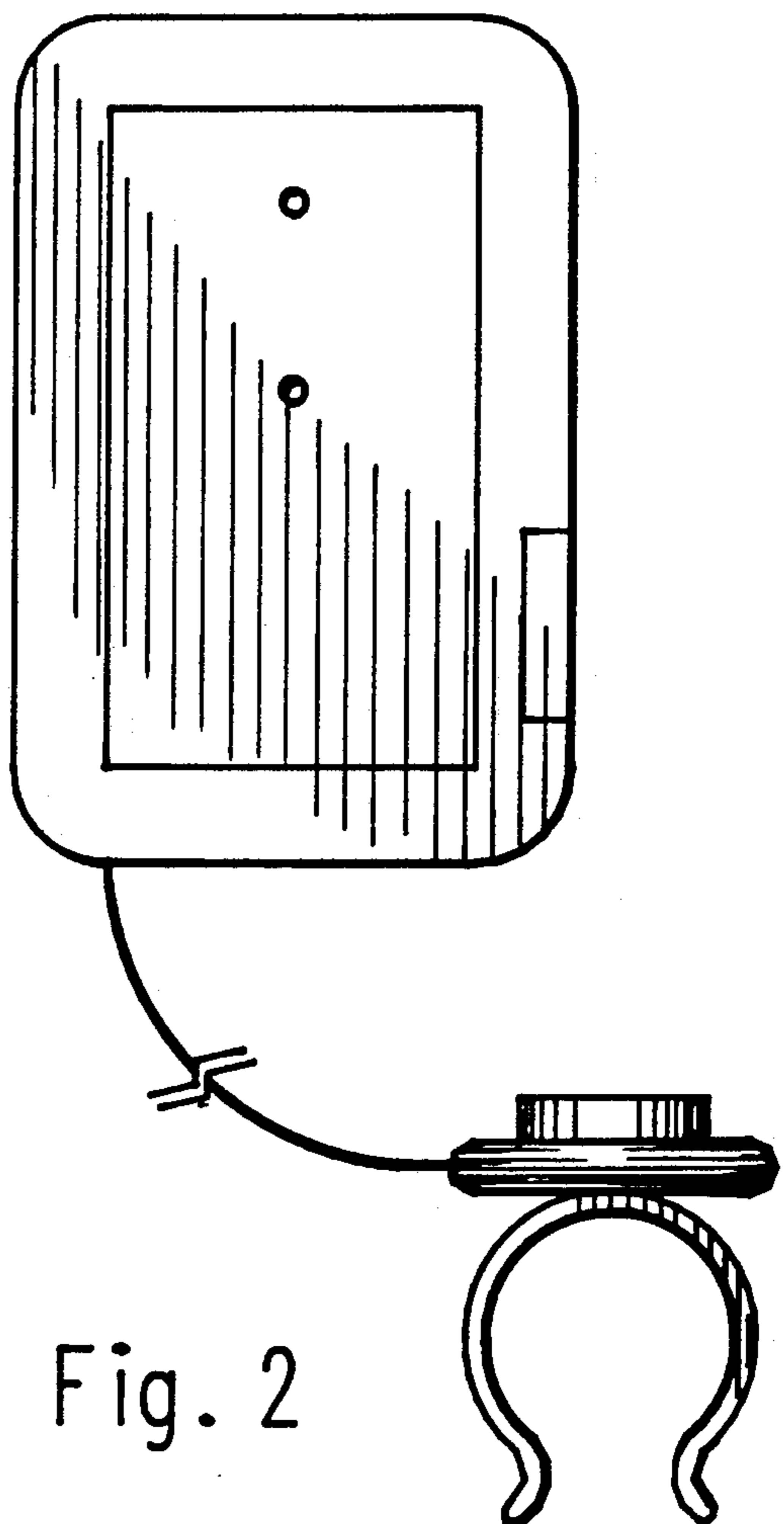
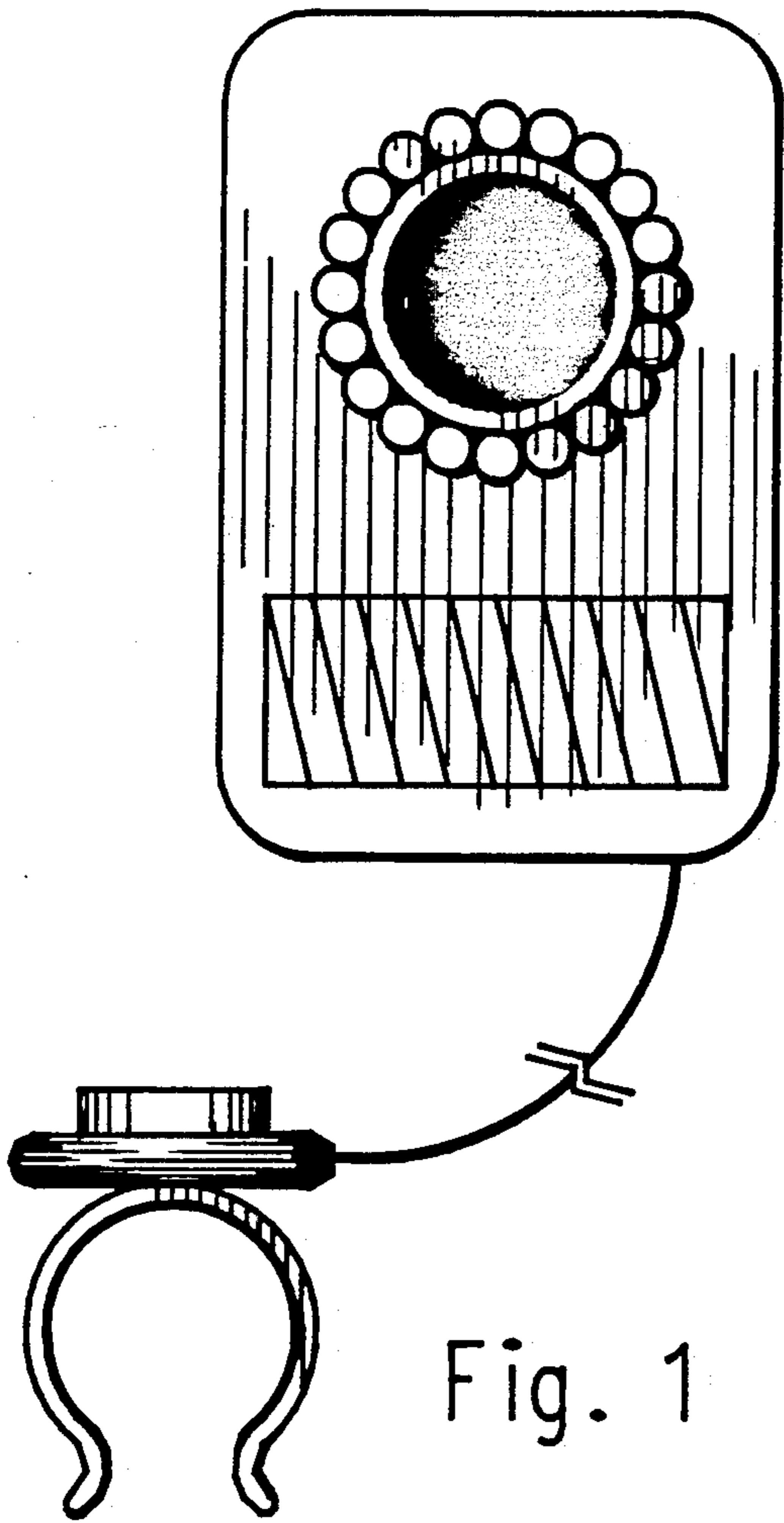
FIG. 1 is a front elevational view of an alarm for a  
bicycle showing my new design;  
FIG. 2 is a rear elevational view thereof;  
FIG. 3 is a left side elevational view thereof;  
FIG. 4 is a right side elevational view thereof;  
FIG. 5 is a top plan view thereof;  
FIG. 6 is a bottom plan view thereof; and,  
FIG. 7 is a perspective view thereof.

[56] References Cited

U.S. PATENT DOCUMENTS

D. 258,354 2/1981 Benson ..... D10/120





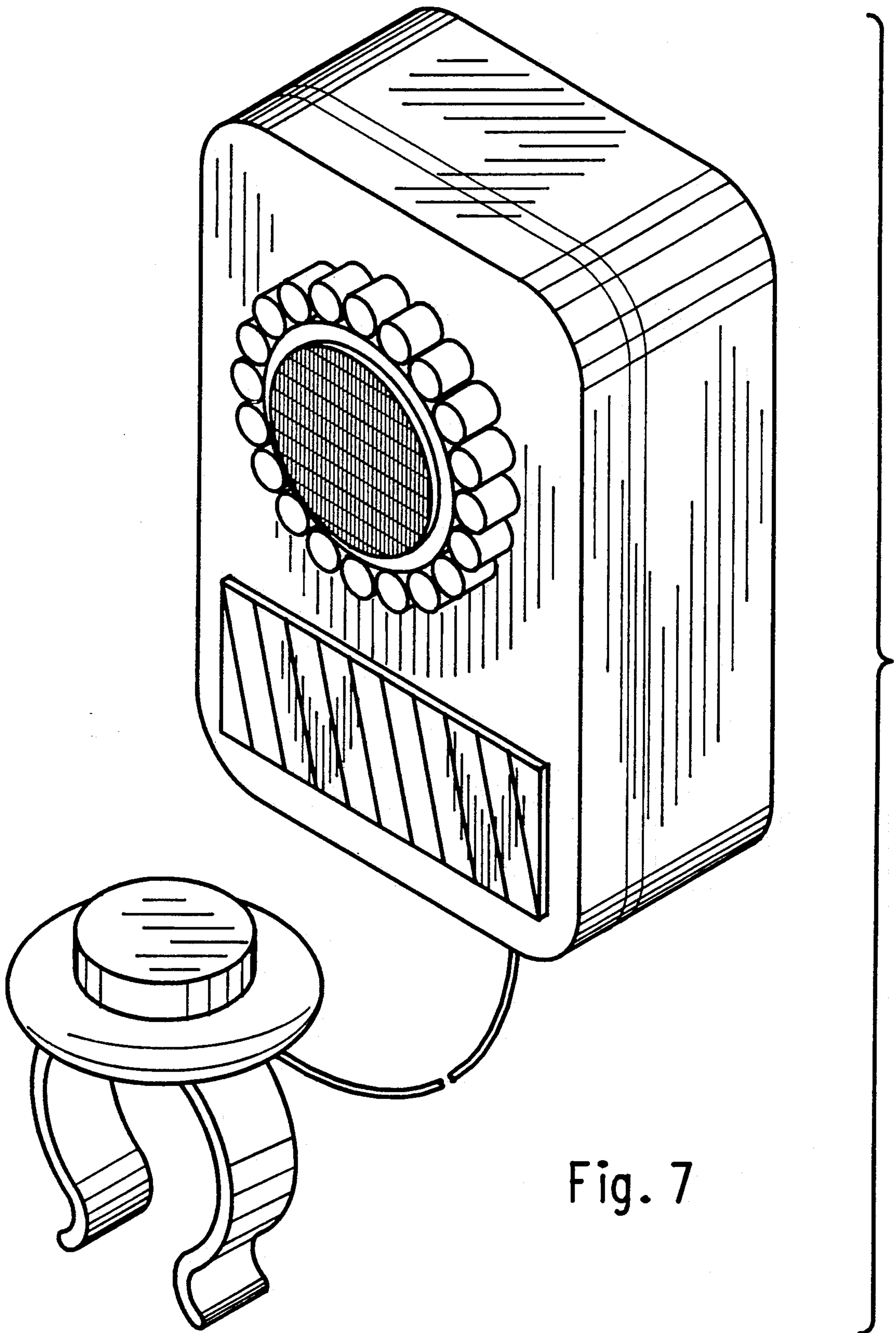


Fig. 7

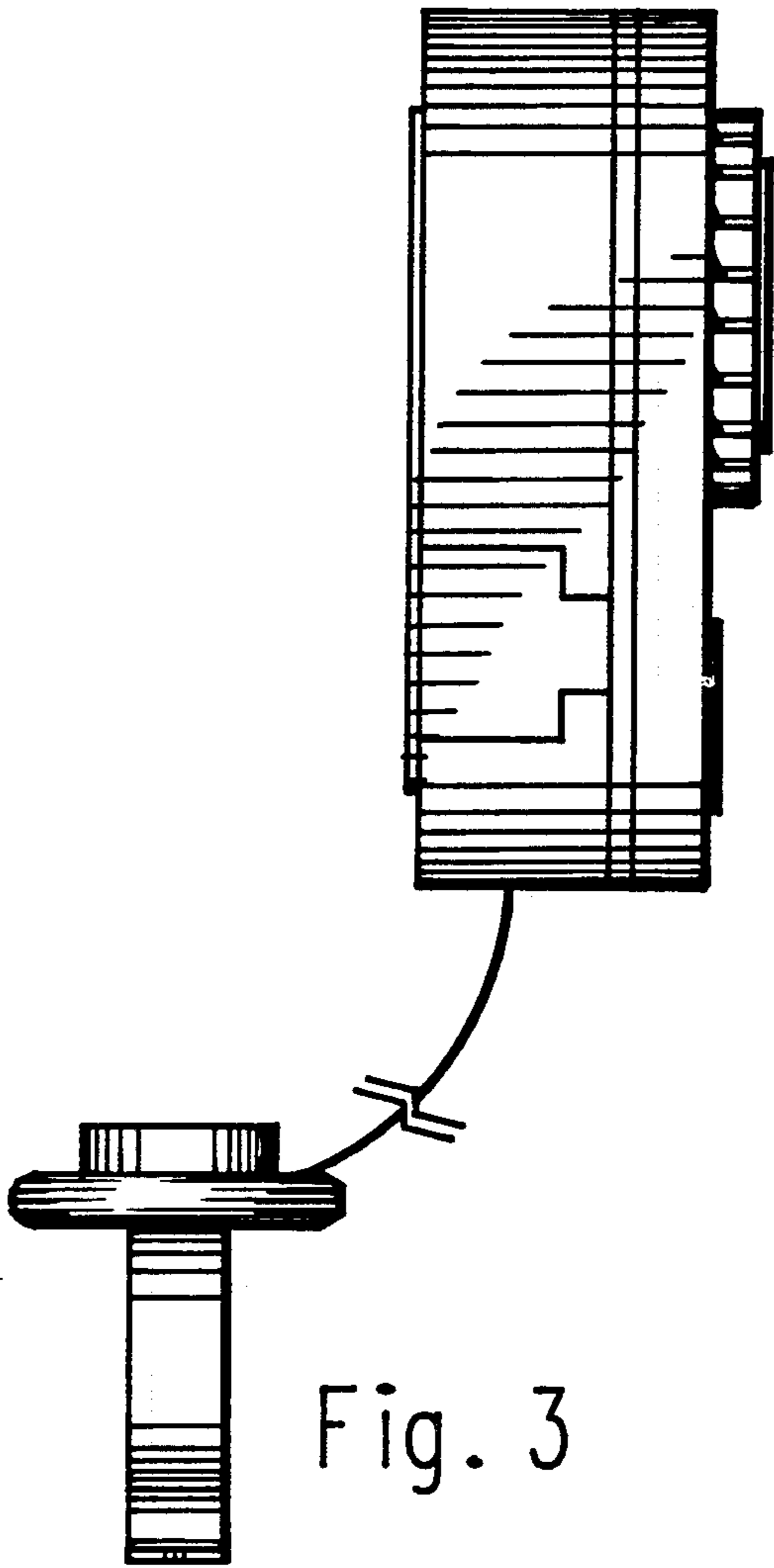


Fig. 3

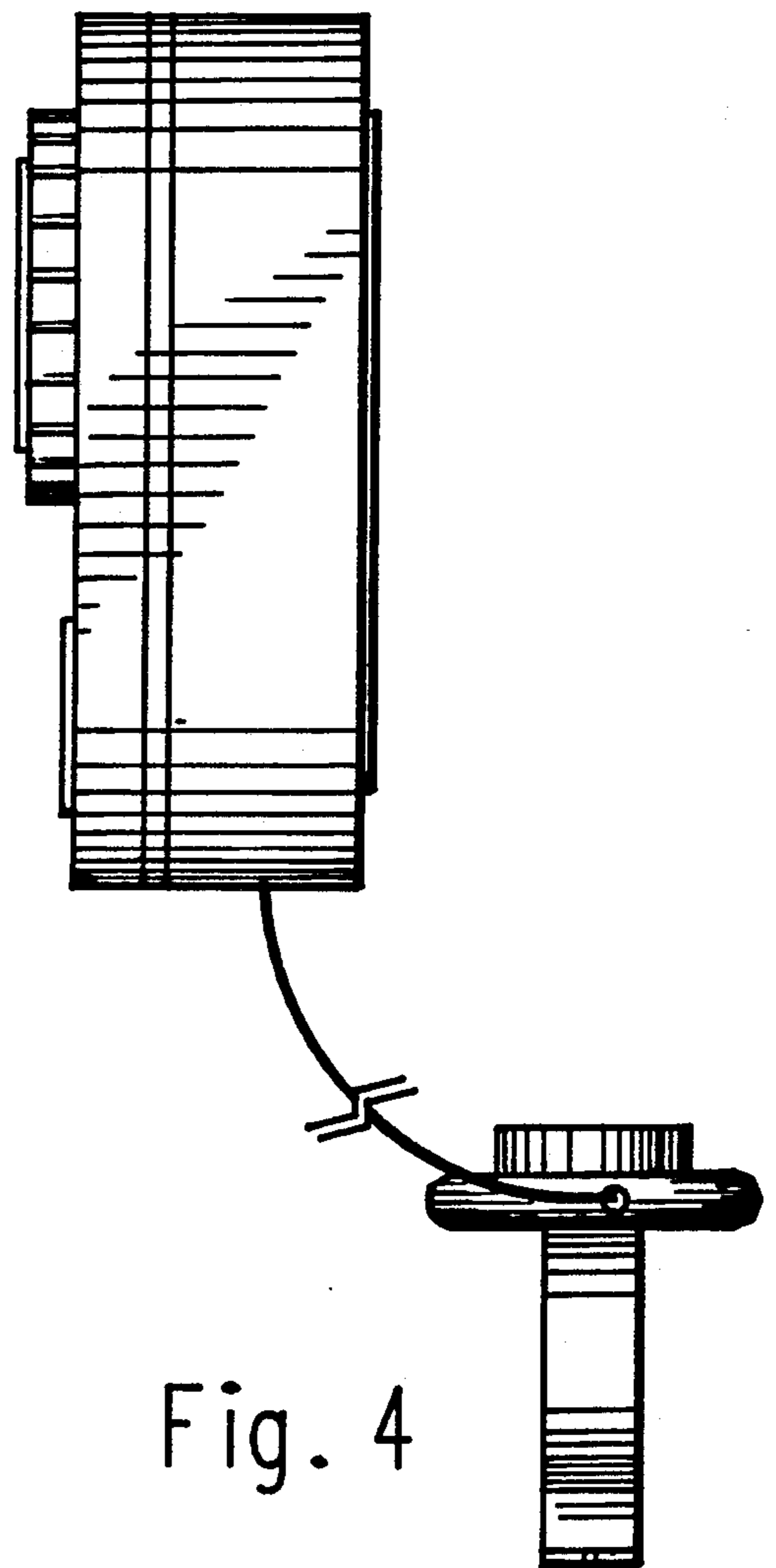


Fig. 4

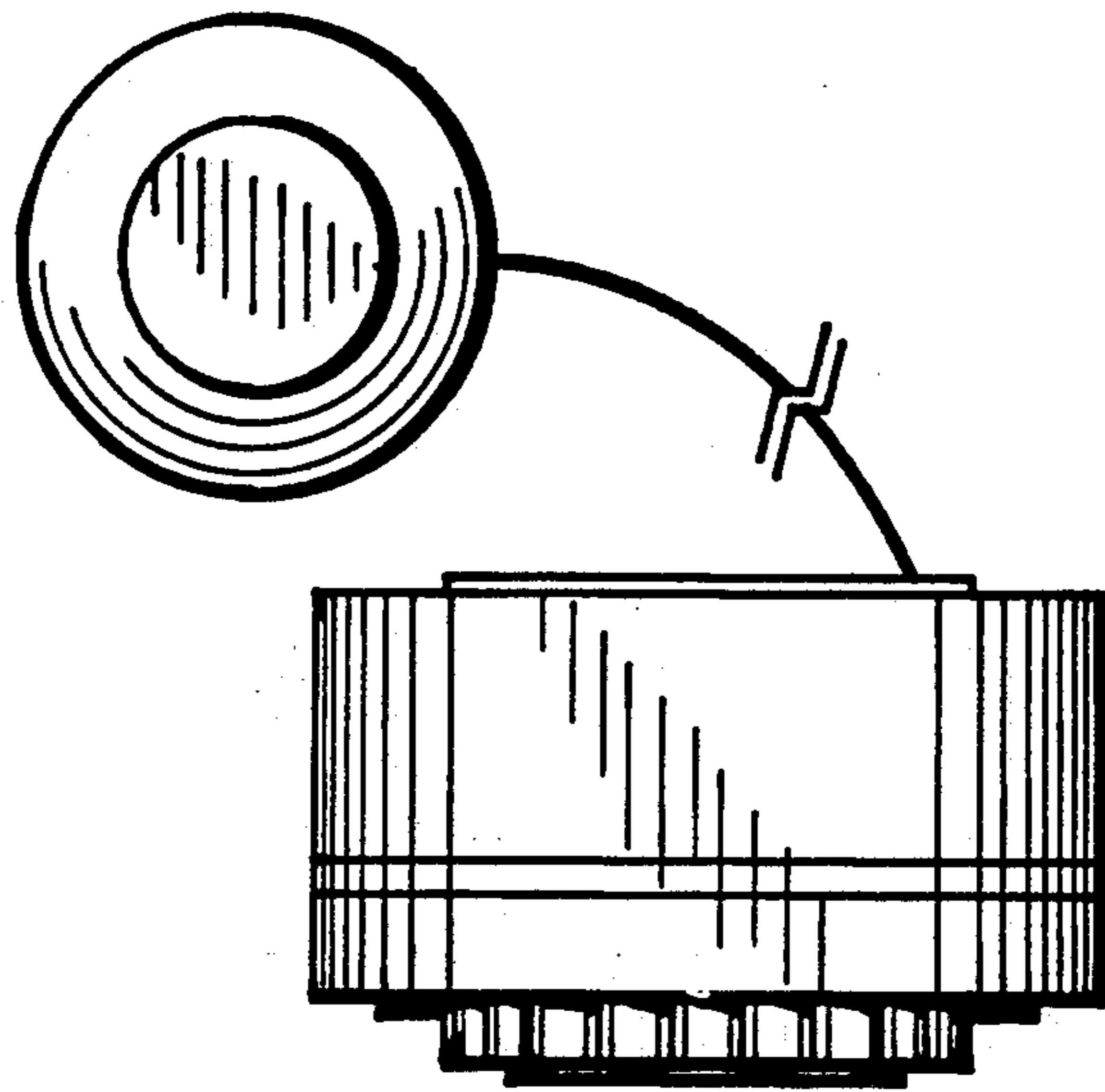


Fig. 5

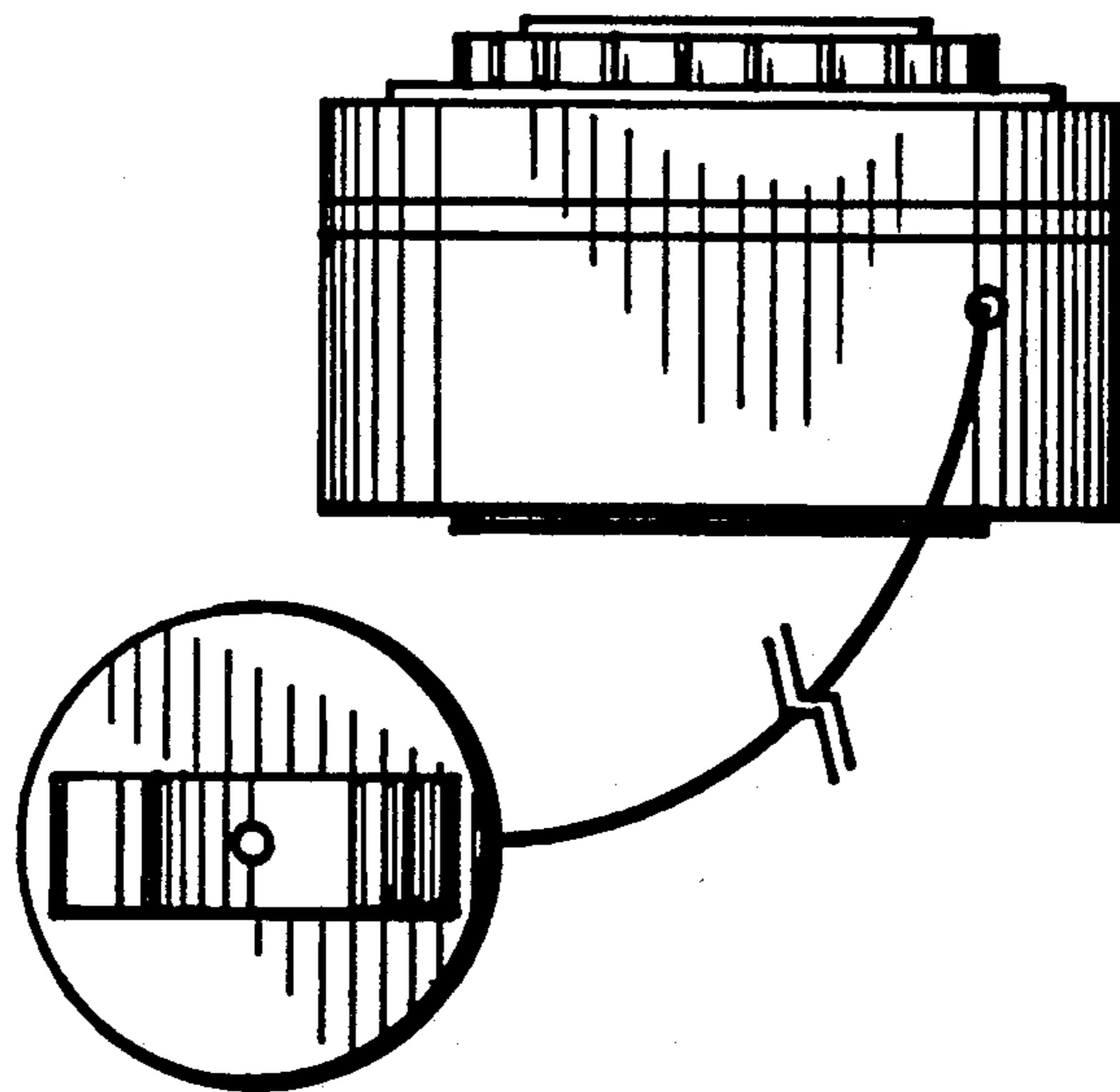


Fig. 6