

[54] WATTMETER

[76] Inventor: Dan B. Merlin, 4012 Tybo Ave., Las Vegas, Nev. 89110

[**] Term: 14 Years

[21] Appl. No.: 270,281

[22] Filed: Nov. 14, 1988

[52] U.S. Cl. D10/78

[58] Field of Search D10/75, 78; 324/141, 324/142, 156, 158 F; 340/540, 635, 637, 700

[56] References Cited

U.S. PATENT DOCUMENTS

- D. 246,291 11/1977 Krolopp et al. D10/75
- D. 246,767 12/1977 Needham D10/78
- D. 248,929 8/1978 Connolly D10/75

- D. 264,825 6/1982 Izaki D10/75
- 4,782,287 11/1988 Marx 340/637 X

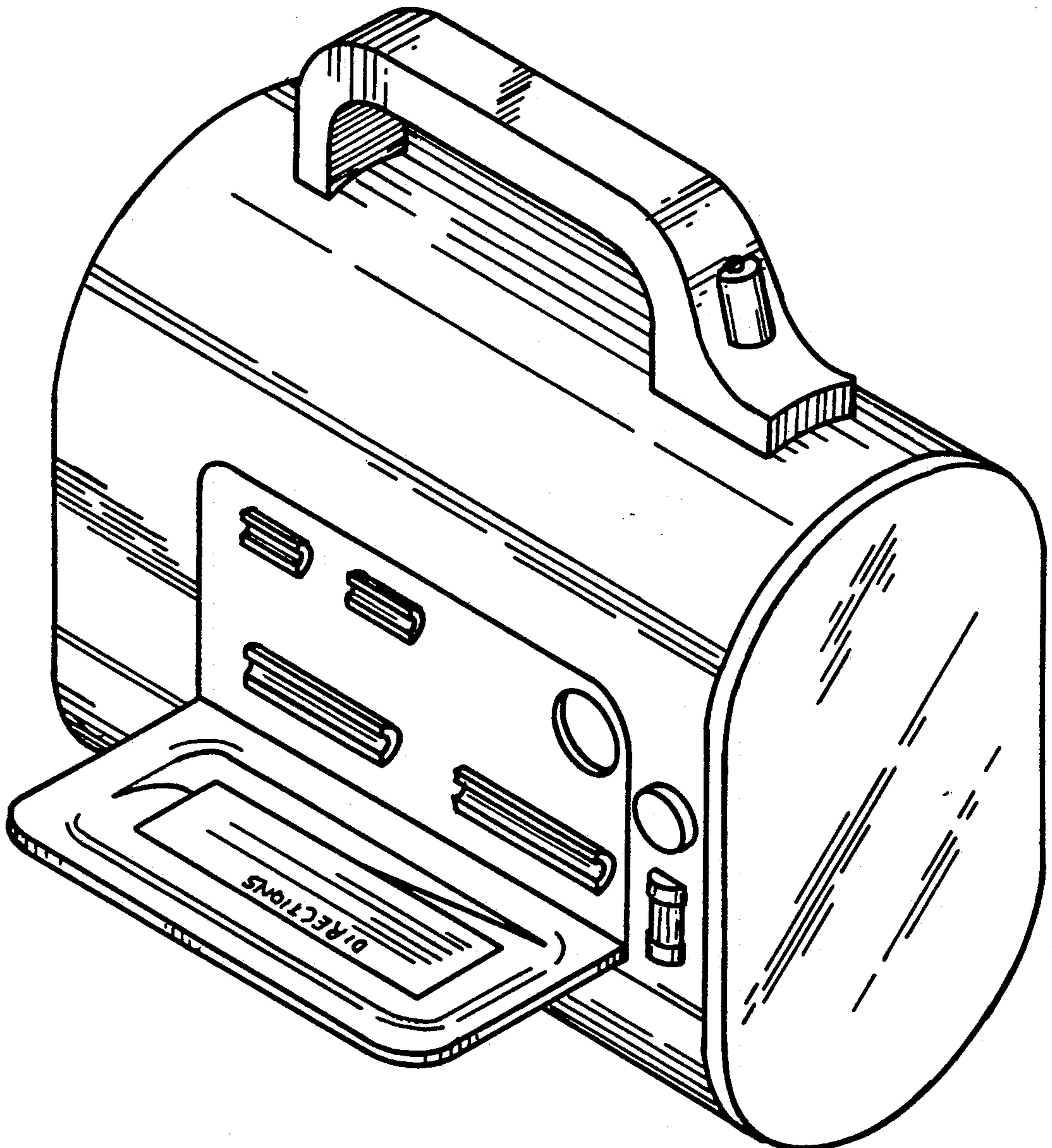
Primary Examiner—Nelson C. Holtje
Assistant Examiner—Antoine D. Davis
Attorney, Agent, or Firm—Terry M. Gernstein

[57] CLAIM

The ornamental design for a wattmeter, as shown.

DESCRIPTION

FIG. 1 is a top, front, and right side elevational view of a wattmeter showing my new design; FIG. 2 is a top plan view; FIG. 3 is a rear elevational view; FIG. 4 is a left side elevational view; FIG. 5 is a right side elevational view; FIG. 6 is a front elevational view; and FIG. 7 is a bottom plan view thereof.



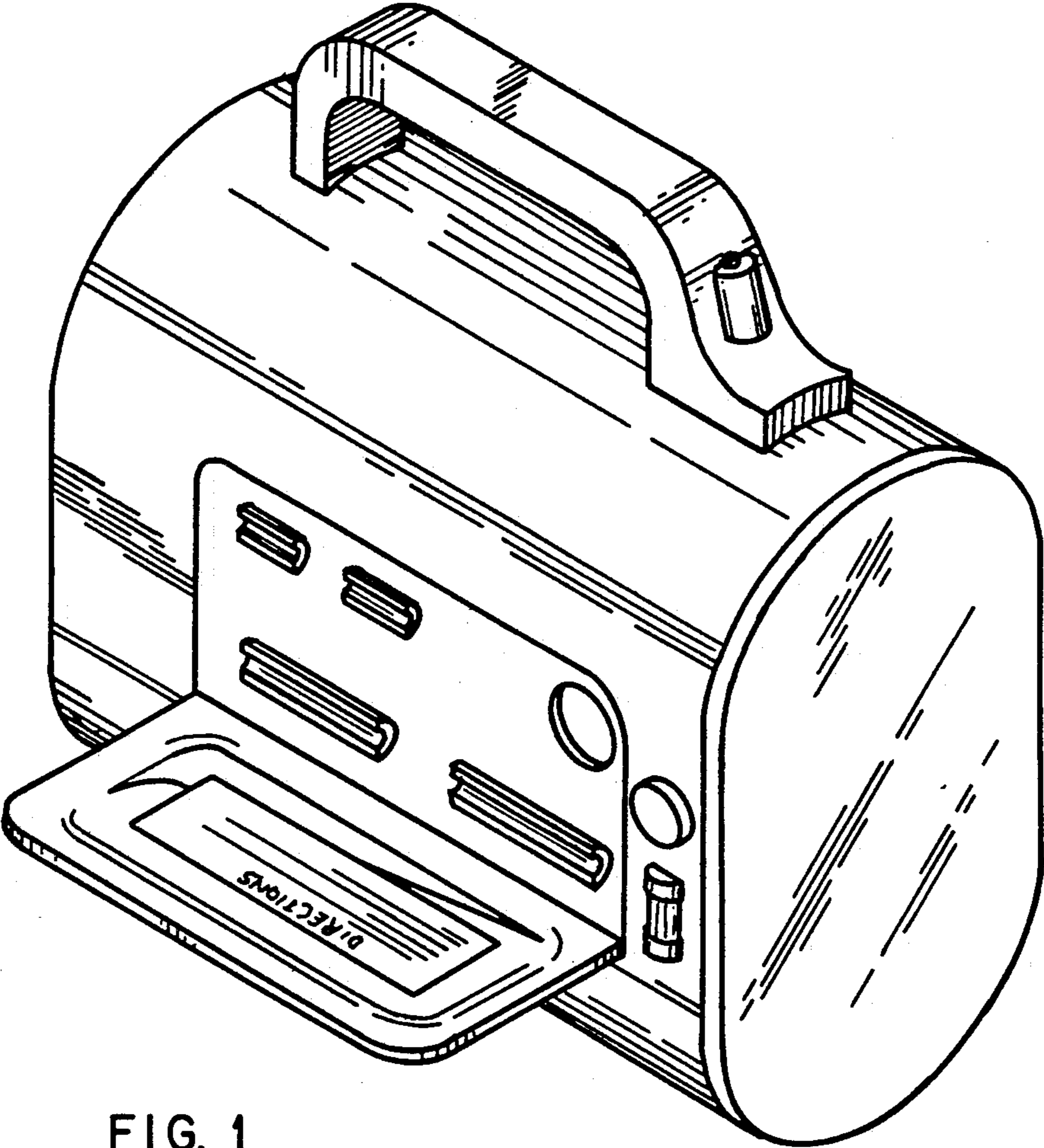


FIG. 1

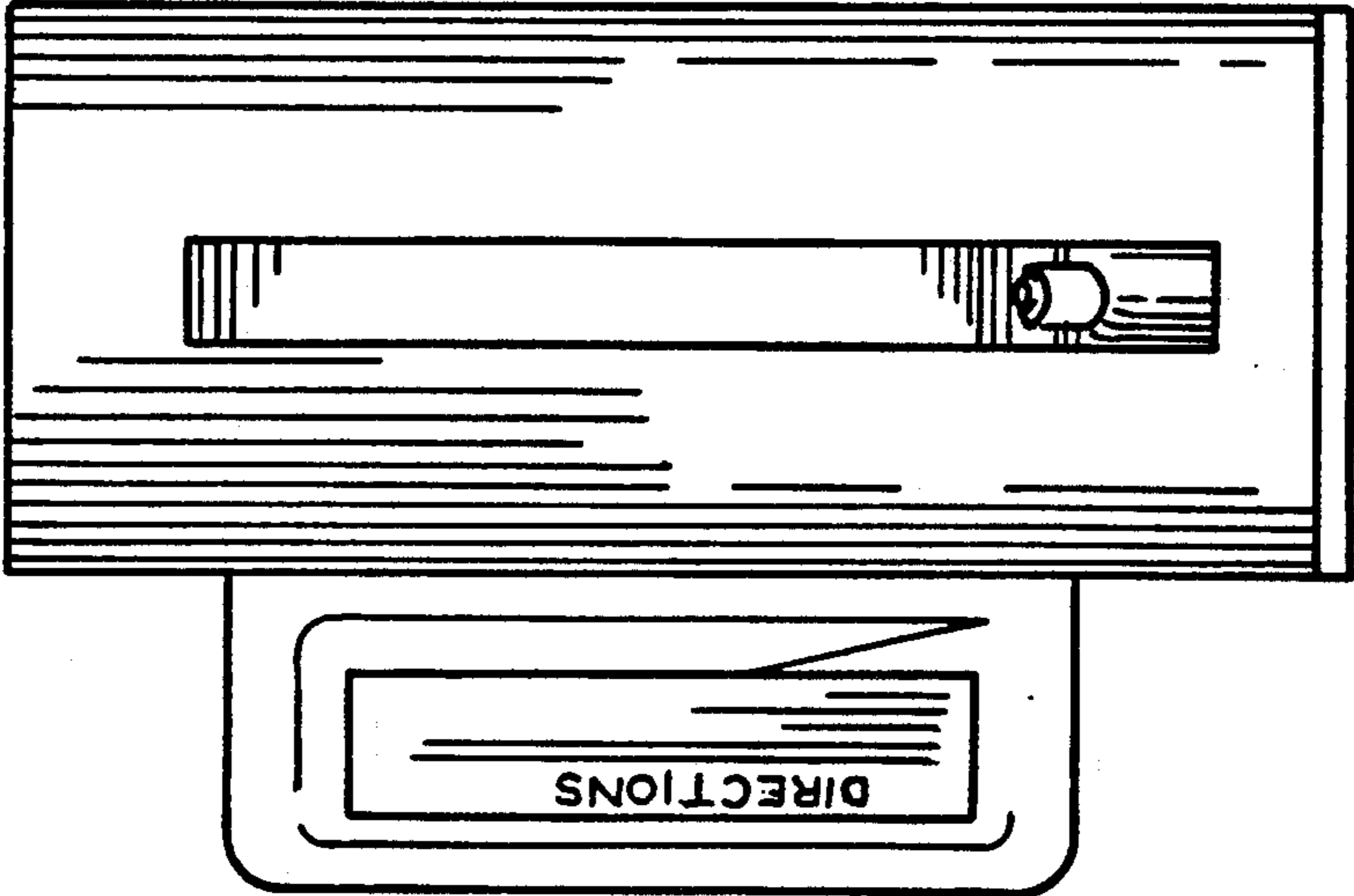


FIG. 2

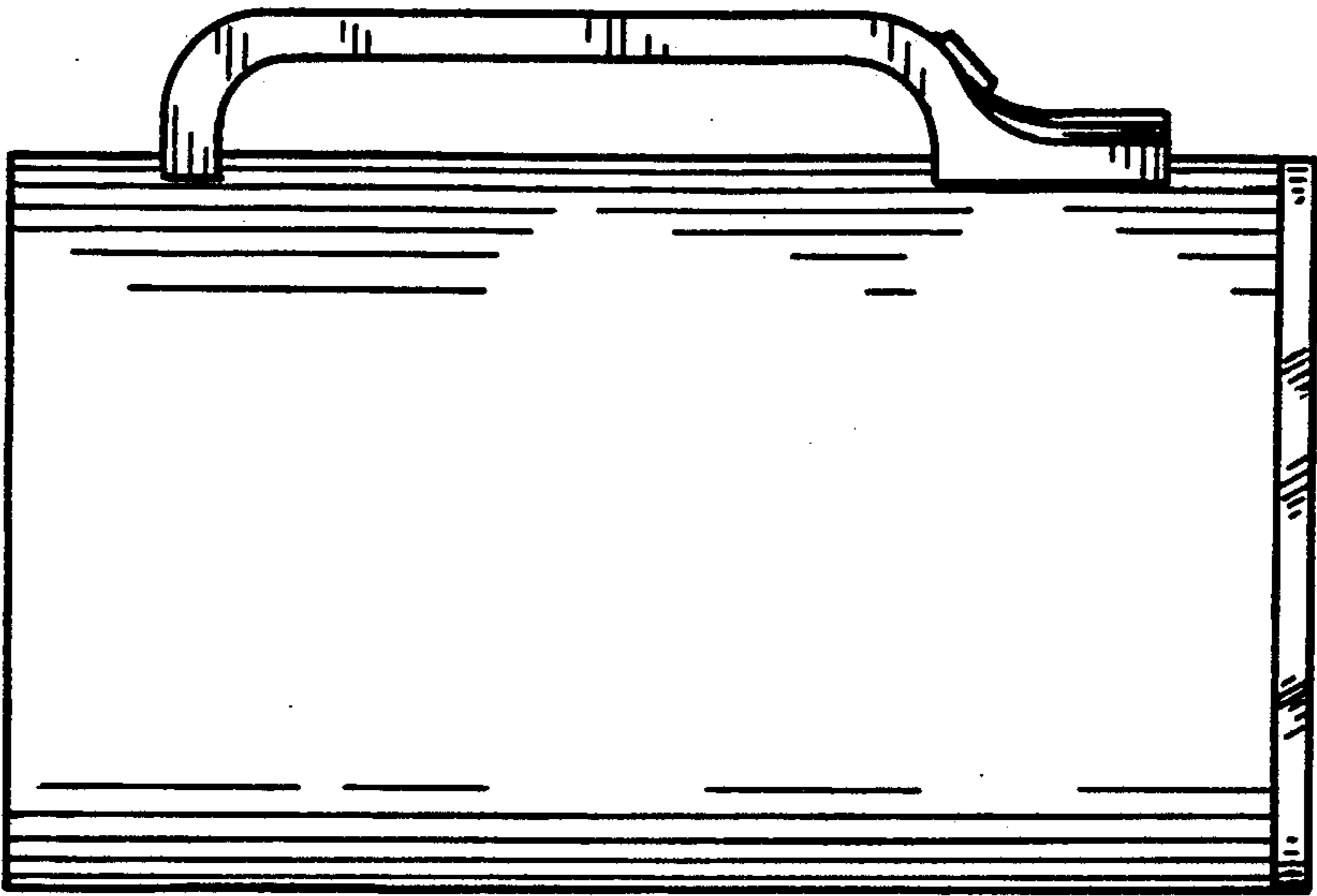


FIG. 3

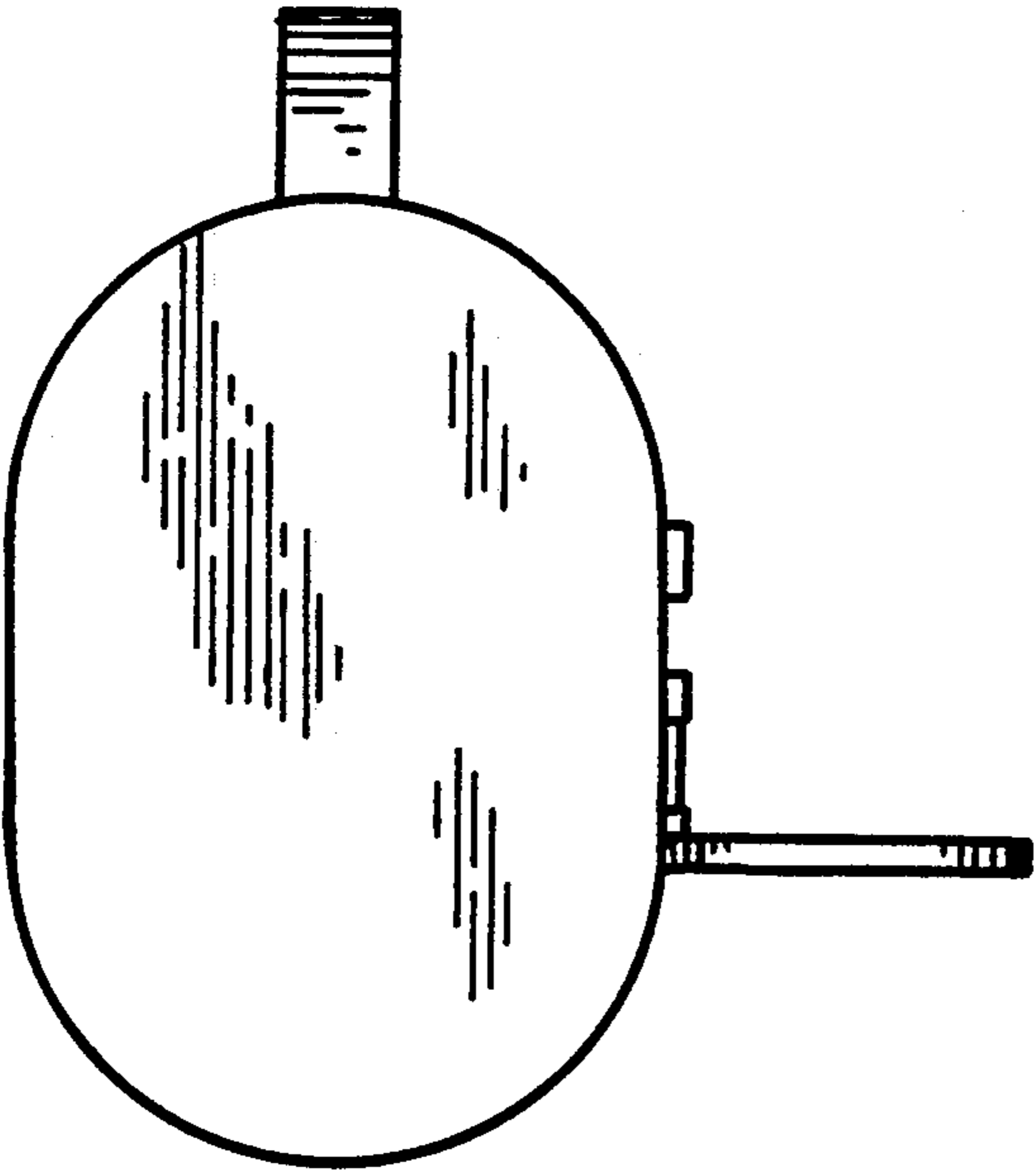


FIG. 4

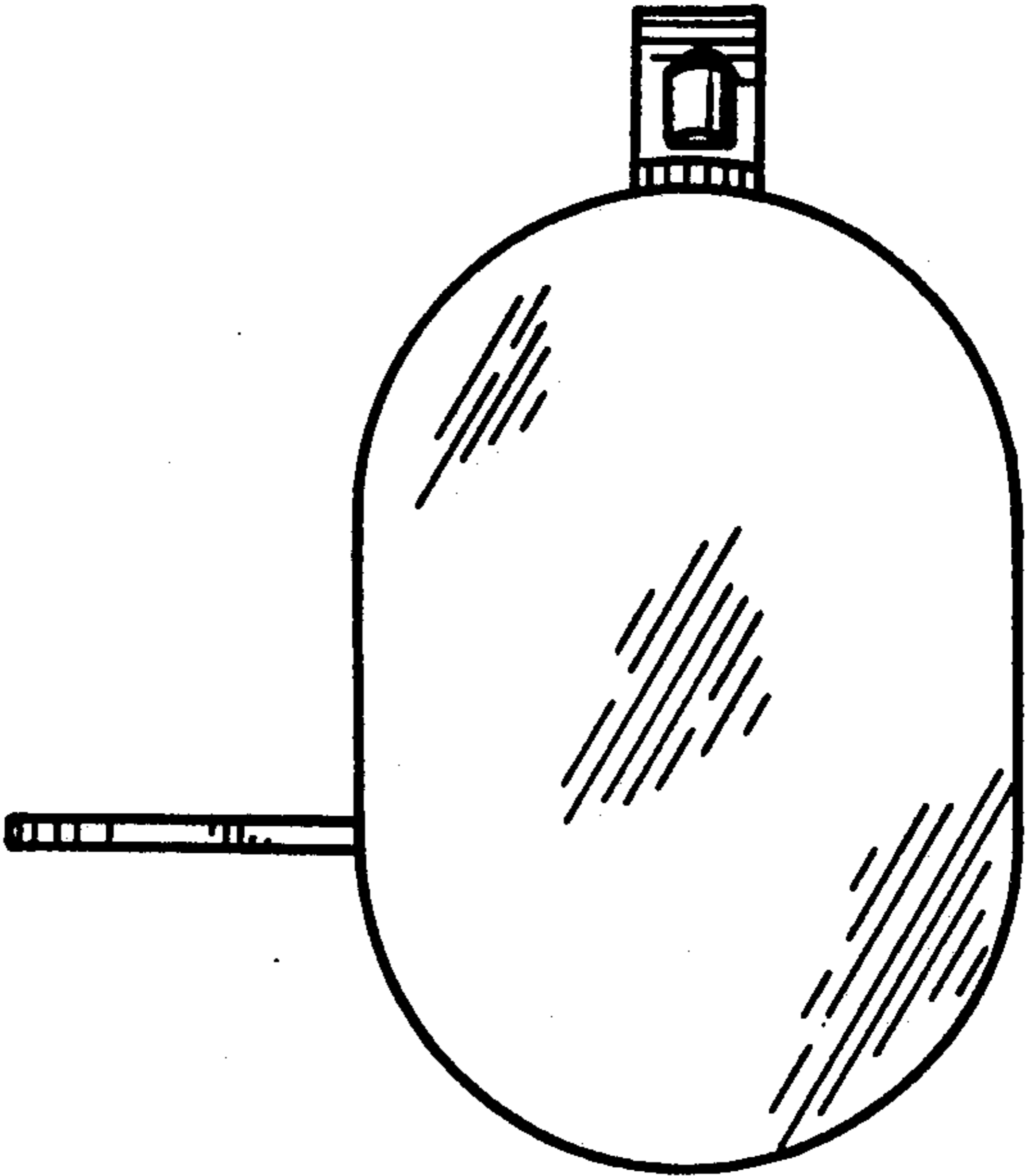


FIG. 5

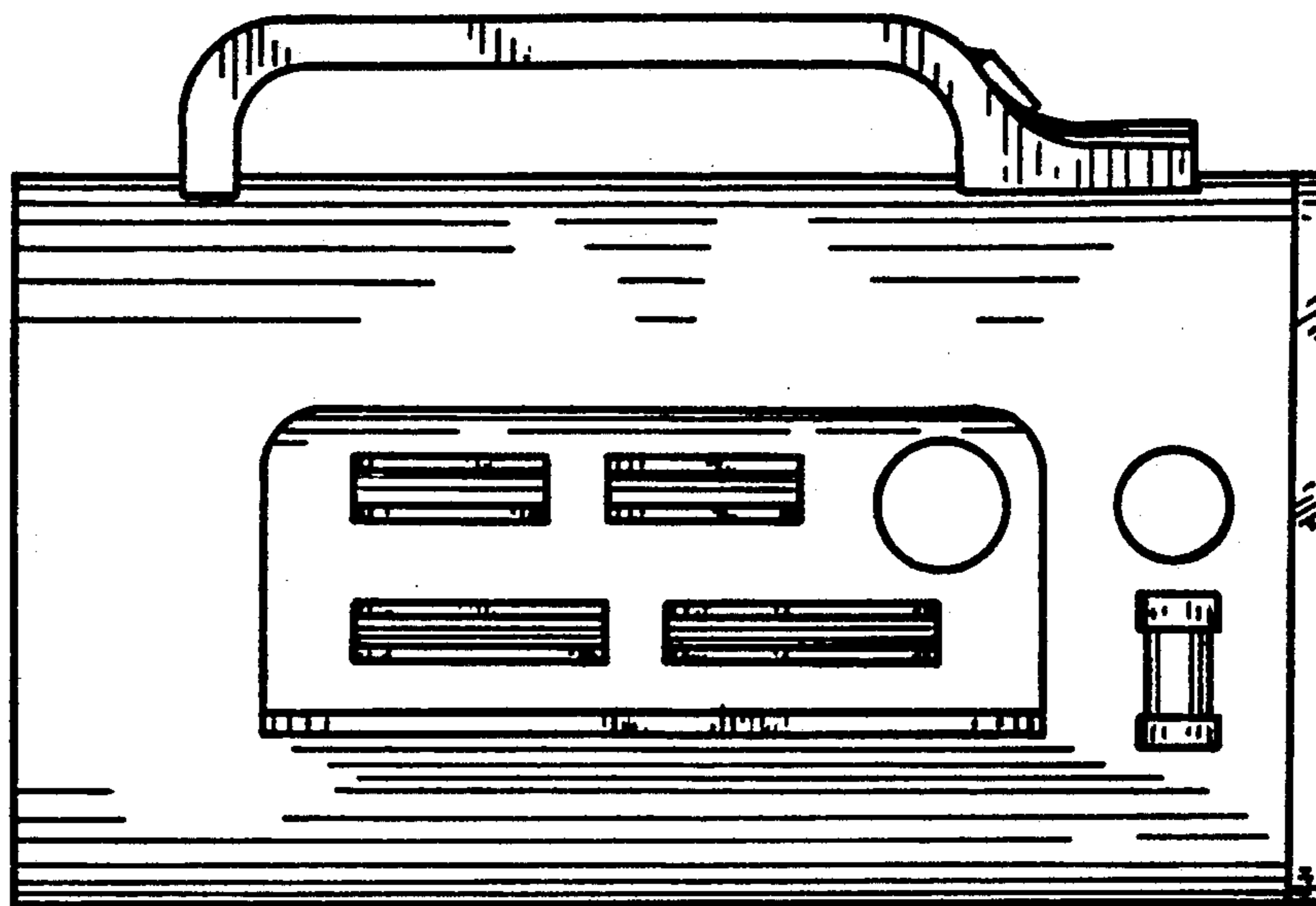


FIG. 6

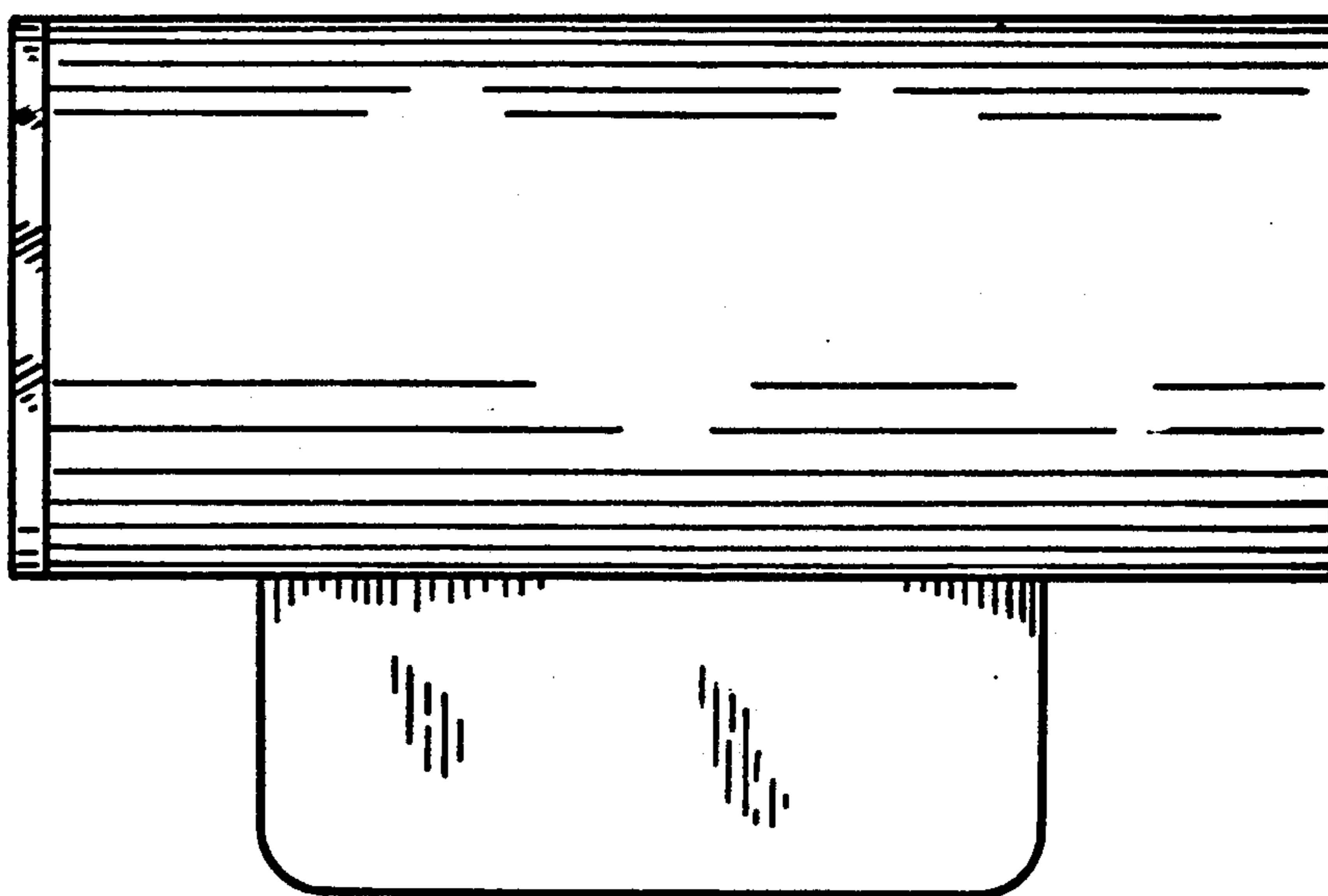


FIG. 7