

[54] THERMOSTAT

[75] Inventor: Robert J. Tiedemann, Stamford, Conn.

[73] Assignee: ITT Corporation, New York, N.Y.

[**] Term: 14 Years

[21] Appl. No.: 372,783

[22] Filed: Jun. 27, 1989

[52] U.S. Cl. D10/50

[58] Field of Search D10/18, 24, 25, 26, D10/49, 50, 51, 52; D13/158, 169, 171; D3/55; D28/76, 78; 236/46 R, 47, 87, 94; 335/145, 153, 205, 206, 207; 337/54, 90, 112, 134, 186, 335, 340, 344, 360, 366, 380, 419

[56] References Cited

U.S. PATENT DOCUMENTS

- D. 188,218 6/1960 Rosen D10/50 X
- D. 190,390 5/1961 Gibson D10/51
- D. 208,814 10/1967 Smith D10/50

- D. 209,326 11/1967 Maire D10/51
- D. 220,919 6/1971 Hill D10/50
- D. 301,124 5/1989 Bakic D28/76 X
- D. 302,128 7/1989 Sugano D10/26
- 3,171,003 2/1965 Larsen 337/360
- 3,190,988 6/1965 Graham et al. 337/360 X
- 3,271,545 9/1966 Ballentine 337/380 X

Primary Examiner—Nelson C. Holtje
Assistant Examiner—Antoine D. Davis
Attorney, Agent, or Firm—M. J. Lombardi

[57] CLAIM

The ornamental design for a thermostat, as shown and described.

DESCRIPTION

FIG. 1 is a top, front and right side perspective view of a thermostat showing my new design;
FIG. 2 is a front elevational view;
FIG. 3 is a top plan view;
FIG. 4 is a right side elevational view, the left side elevational view being a mirror image; and
FIG. 5 is a bottom plan view thereof.

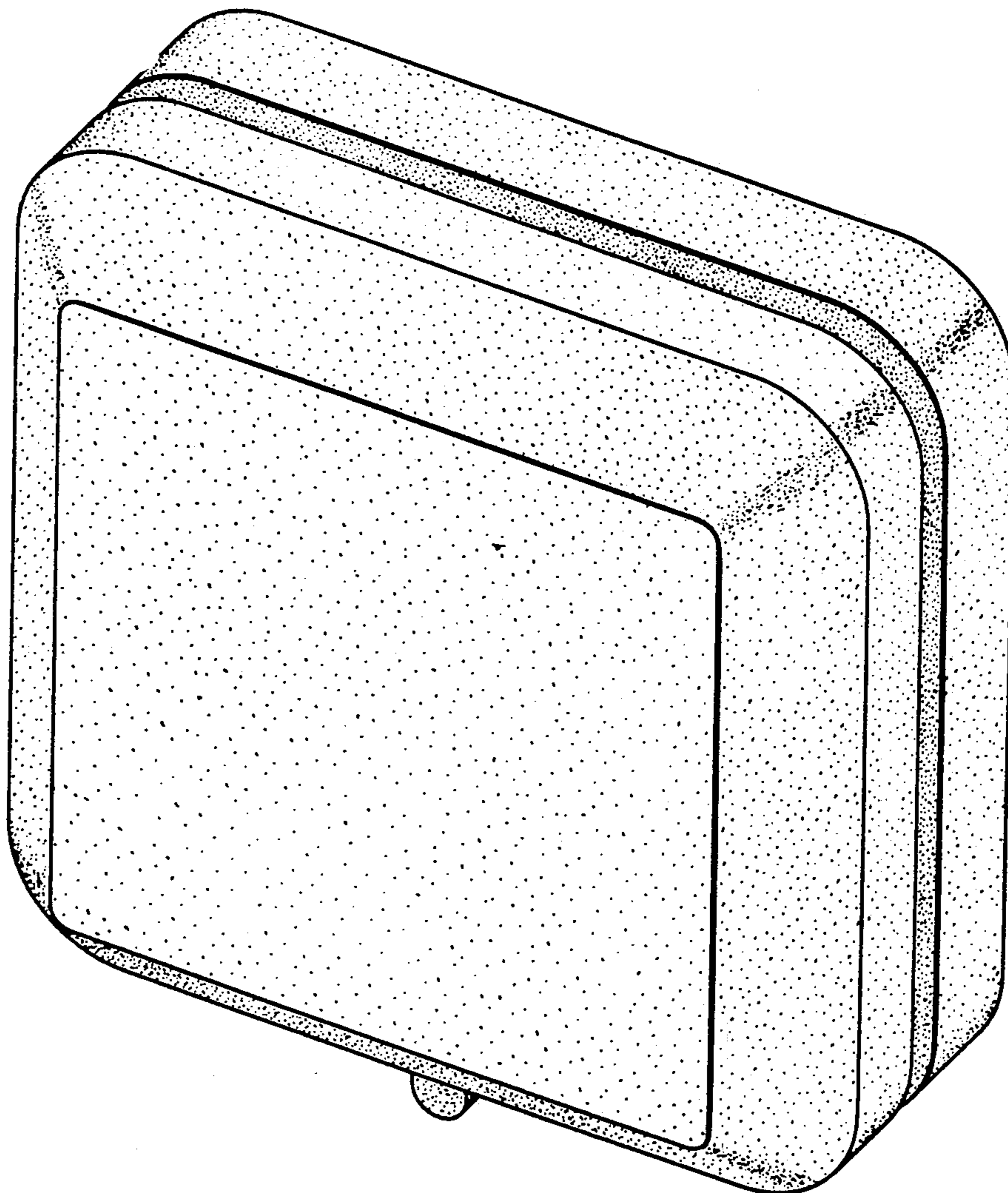


FIG. 1

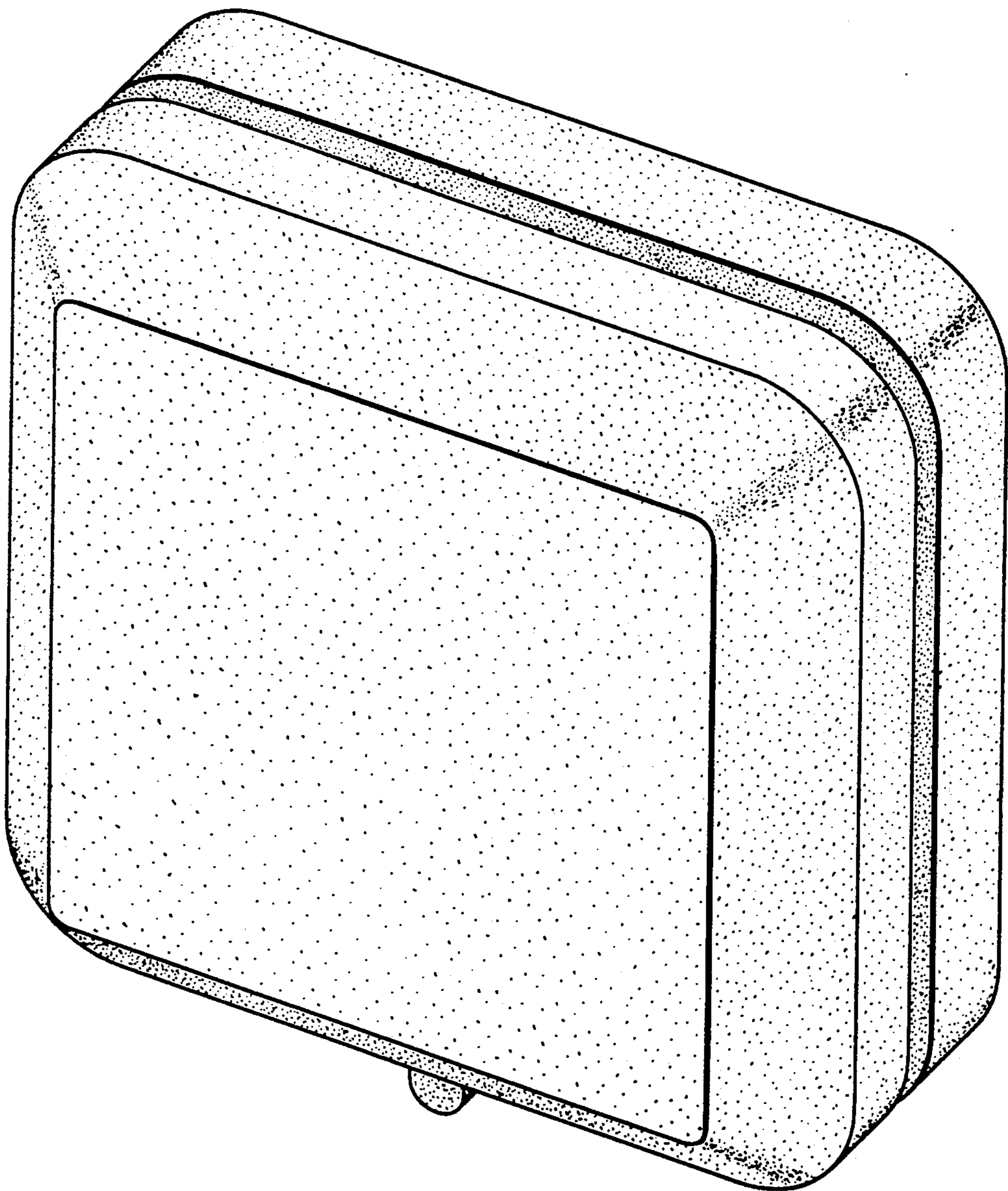


FIG. 2

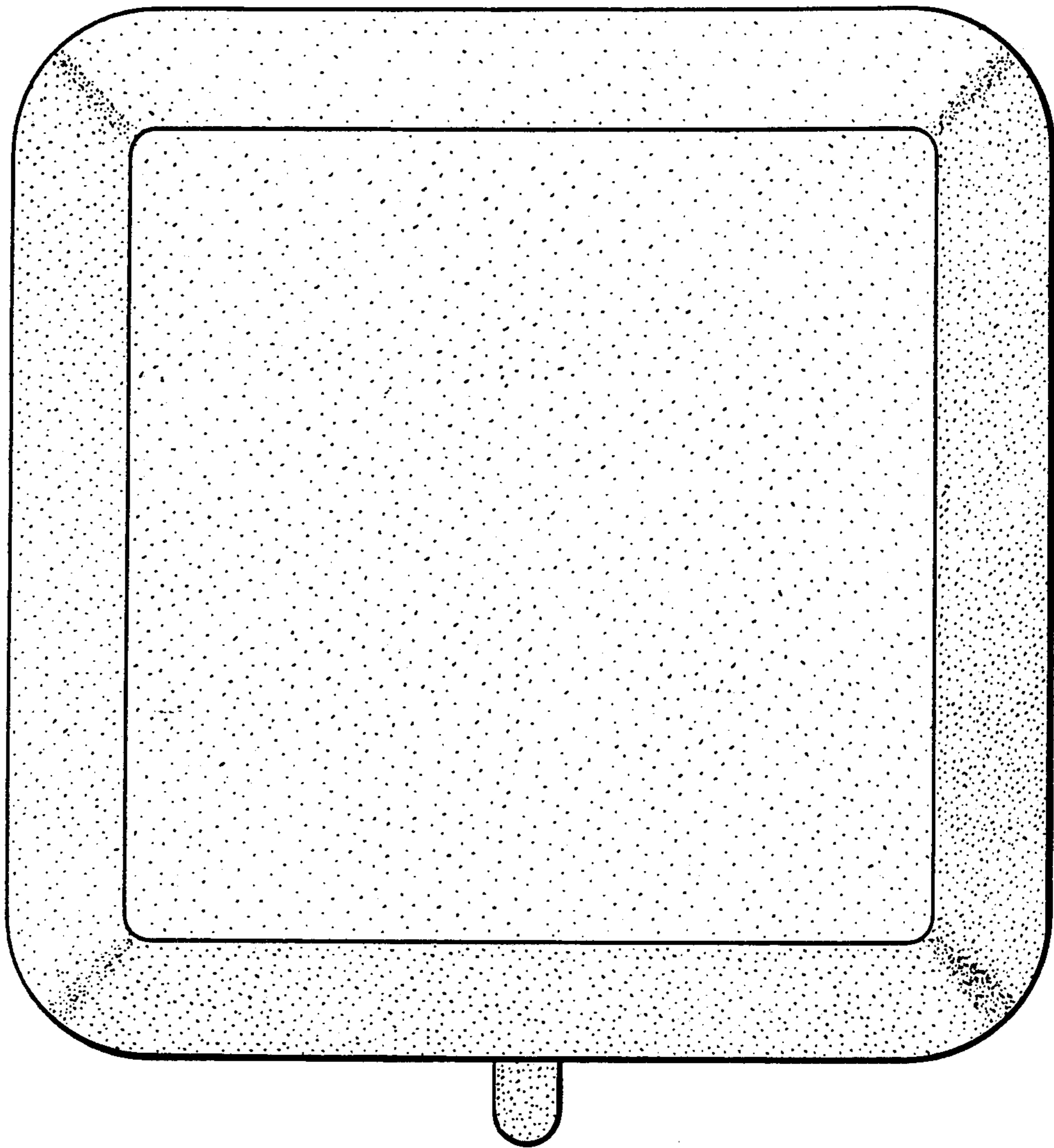


FIG. 3

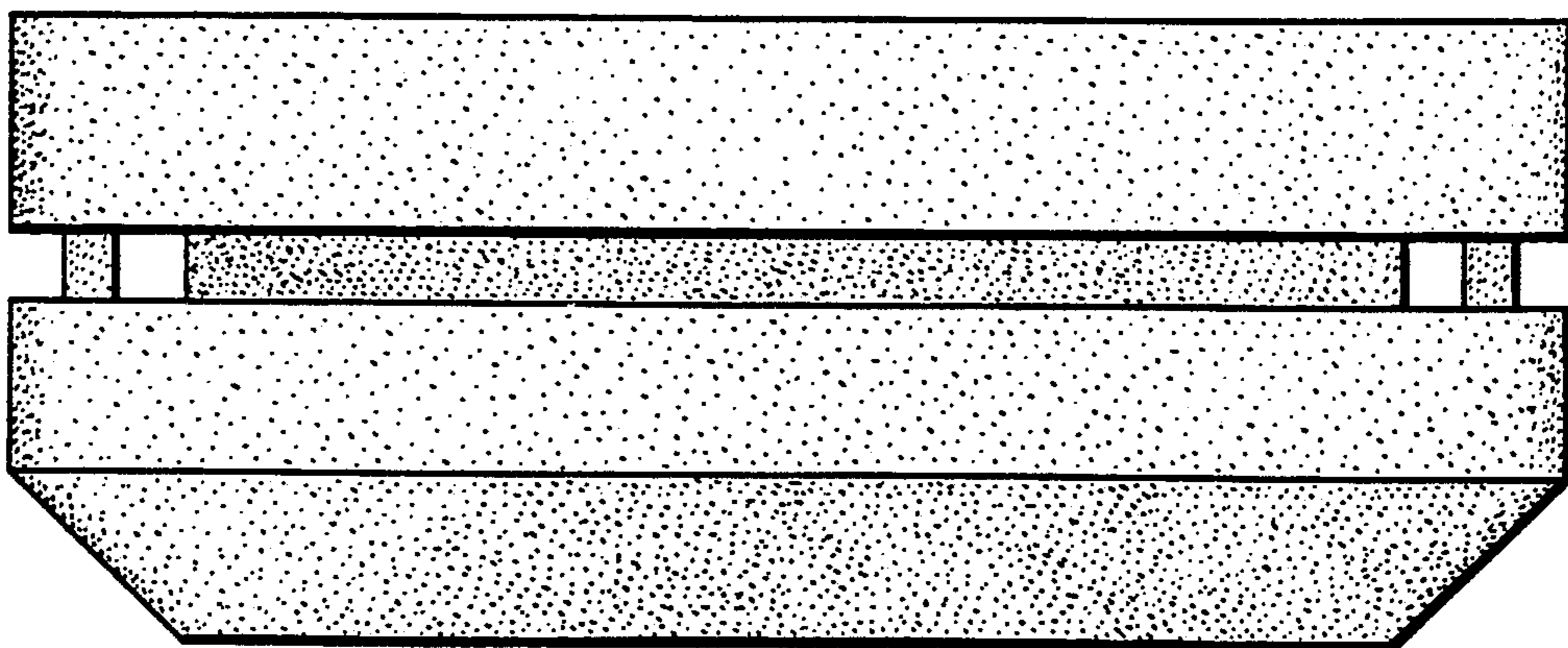


FIG. 4

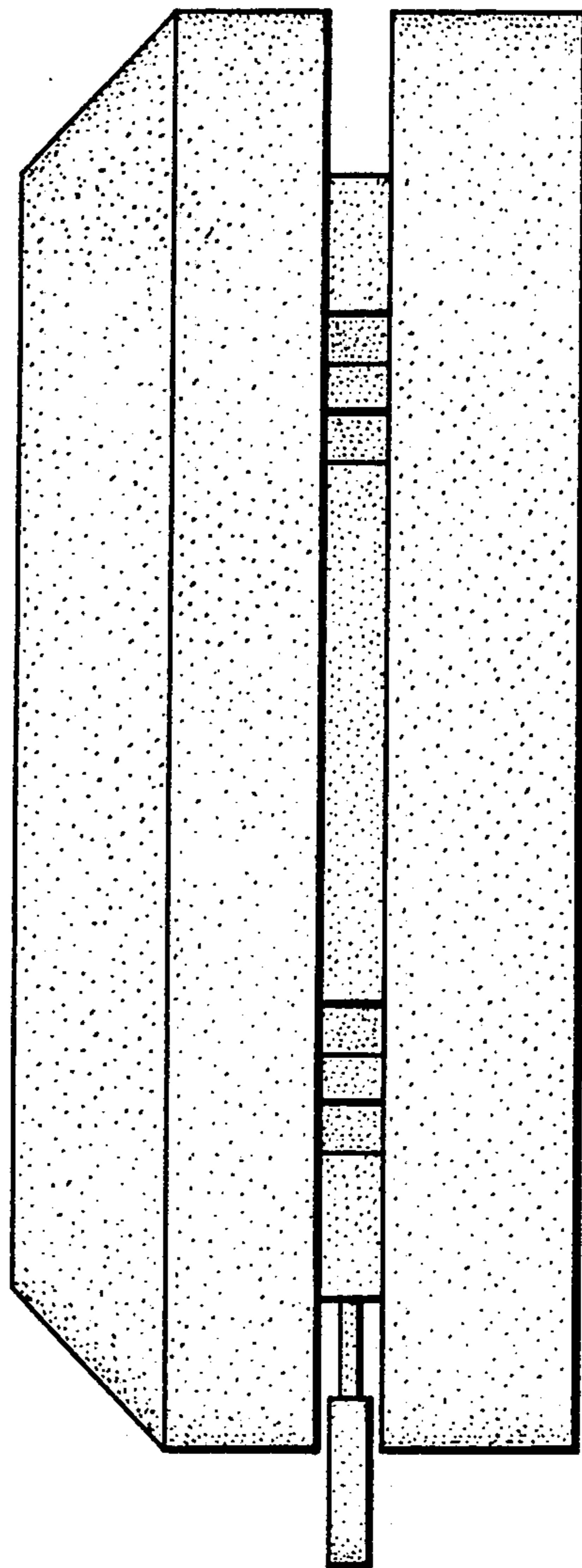


FIG. 5

