

United States Patent [19]

Lisenbee

[11] Patent Number: **Des. 316,363**

[45] Date of Patent: **** Apr. 23, 1991**

[54] **SOCKET ADAPTER FOR A DRILL**

[76] Inventor: **Rayford Lisenbee, P.O. Box 222,
Winona, Miss. 38967**

[**] Term: **14 Years**

[21] Appl. No.: **116,677**

[22] Filed: **Nov. 4, 1987**

[52] U.S. Cl. **D8/70; D8/27**

[58] Field of Search **D8/70, 29; 279/1 A**

[56] **References Cited**

U.S. PATENT DOCUMENTS

D. 45,165	1/1914	Warren	D8/29
D. 245,395	8/1977	Gognevich	D8/70
D. 260,355	8/1981	Buzzell	D8/70
D. 273,077	3/1984	Bell	D8/70

D. 276,879	12/1984	Bell	D8/70
2,836,091	5/1958	Mann	81/177.85
2,954,994	10/1960	Beers	81/177.85
3,172,675	3/1965	Gonzalez	81/177.85
3,734,515	5/1973	Dudek	279/1 A

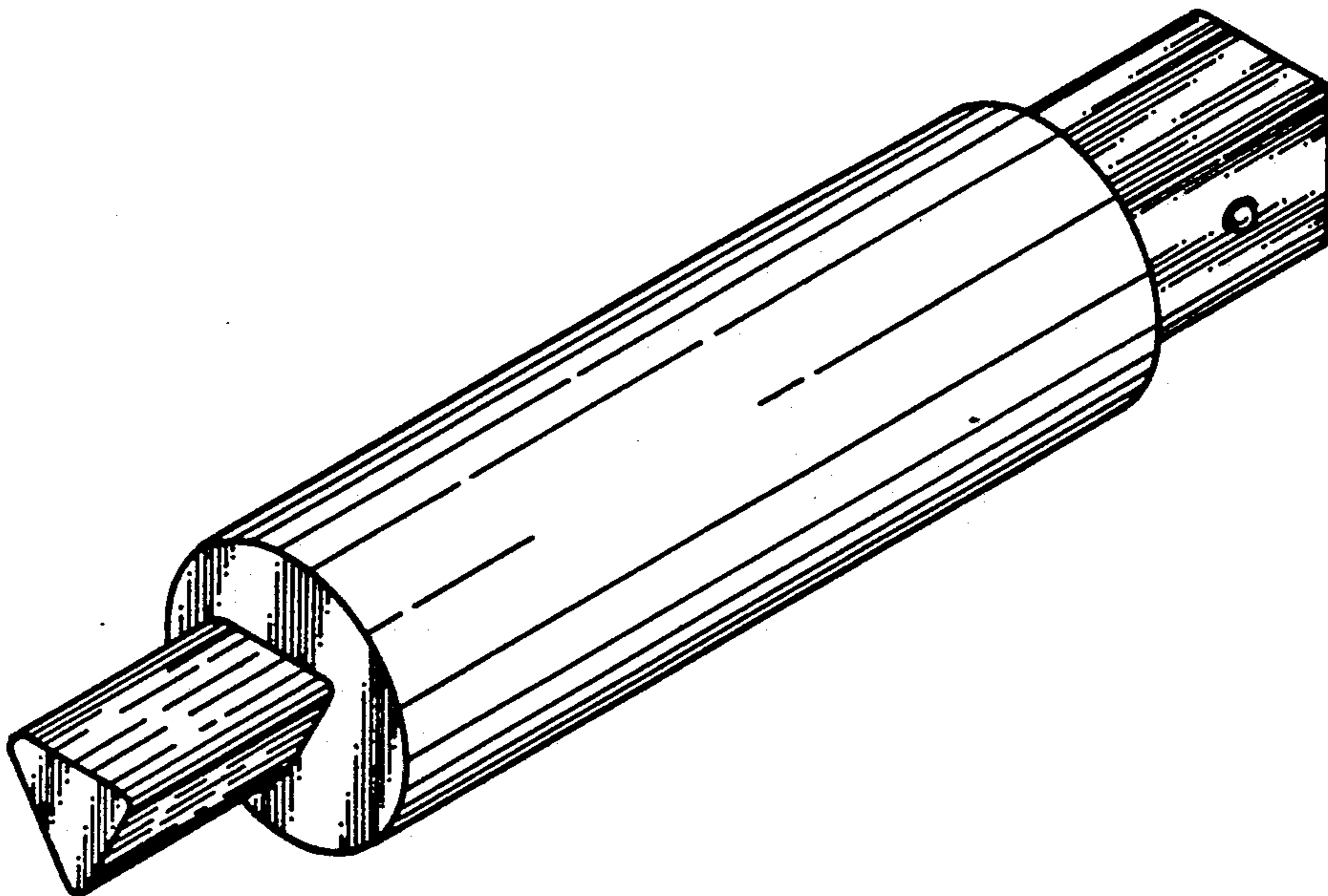
Primary Examiner—Nelson C. Holtje
Attorney, Agent, or Firm—L. Arnold Thaxton

[57] **CLAIM**

The ornamental design for a socket adapter for a drill, as shown and described.

DESCRIPTION

FIG. 1 is a top, front, and left end perspective view of a socket adapter for a drill showing my new design; FIG. 2 is a front elevational view; FIG. 3 is a right end elevational view; and FIG. 4 is a left end elevational view thereof.



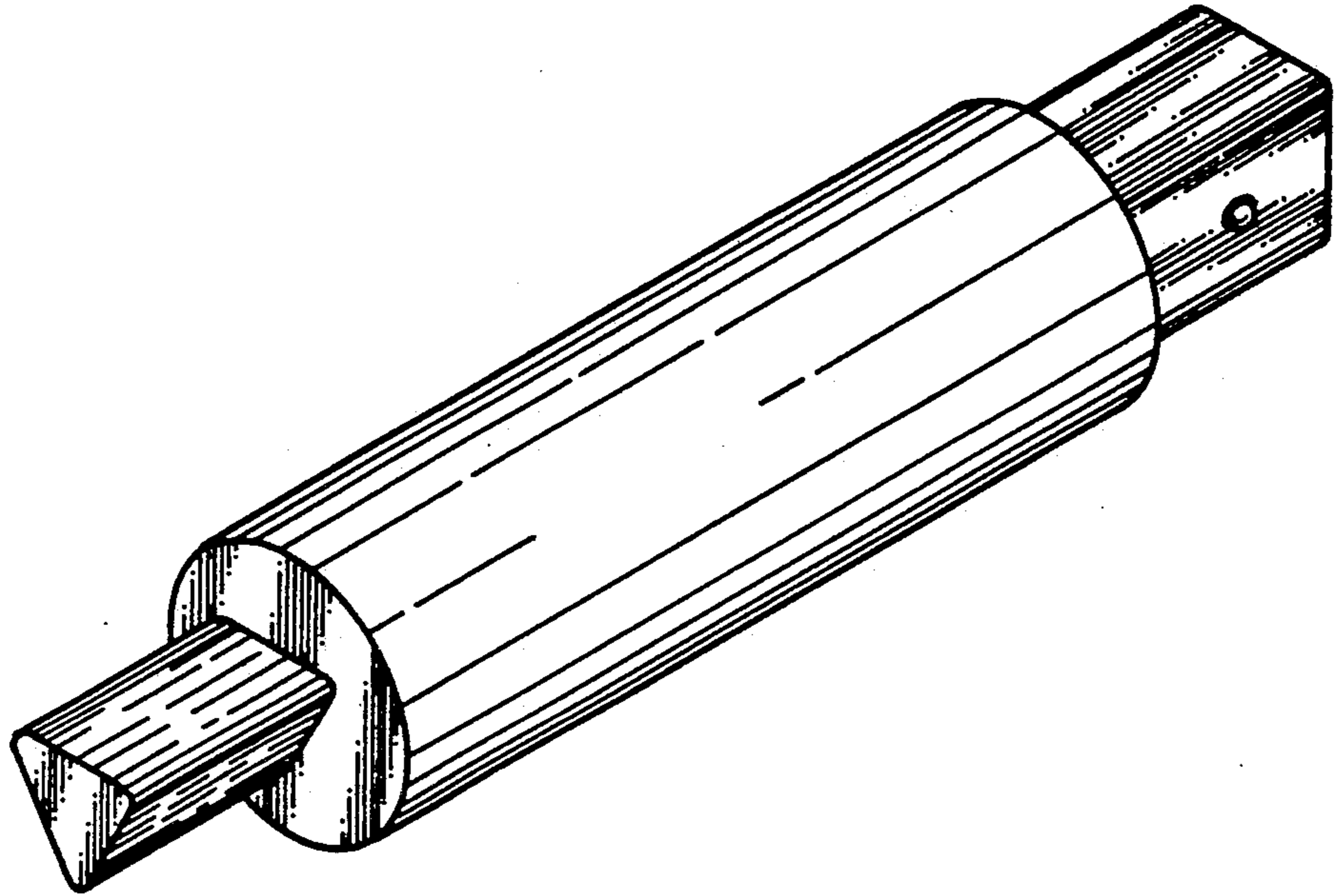


FIG. 1

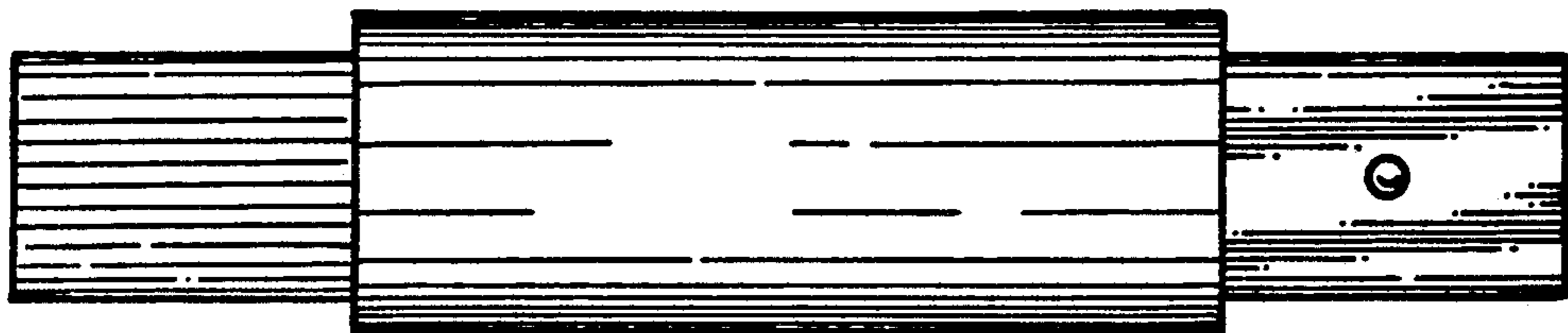


FIG. 2

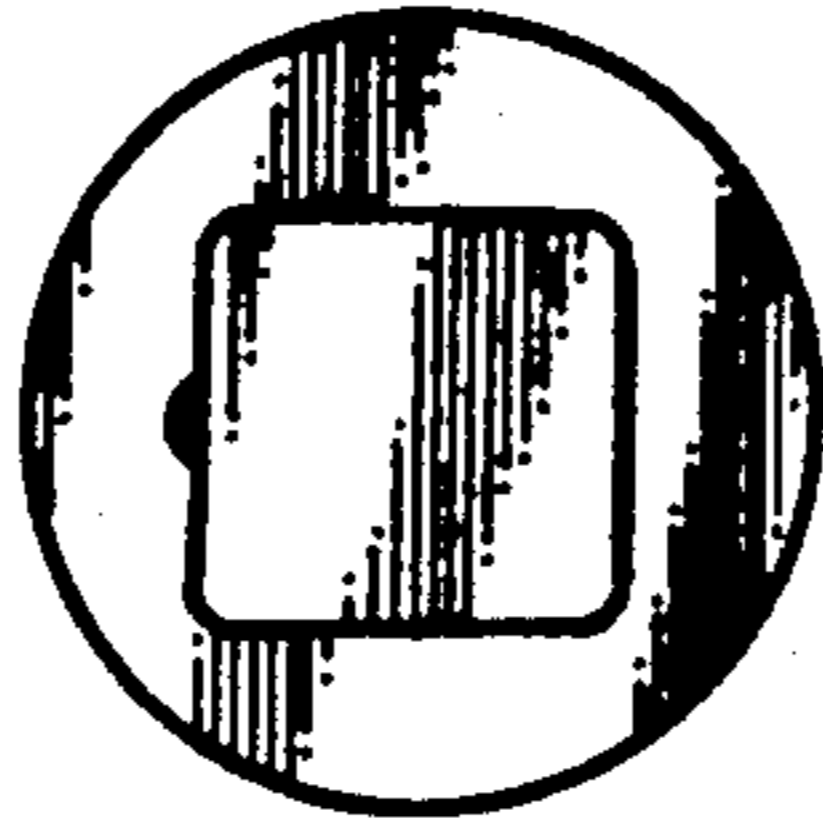


FIG. 3

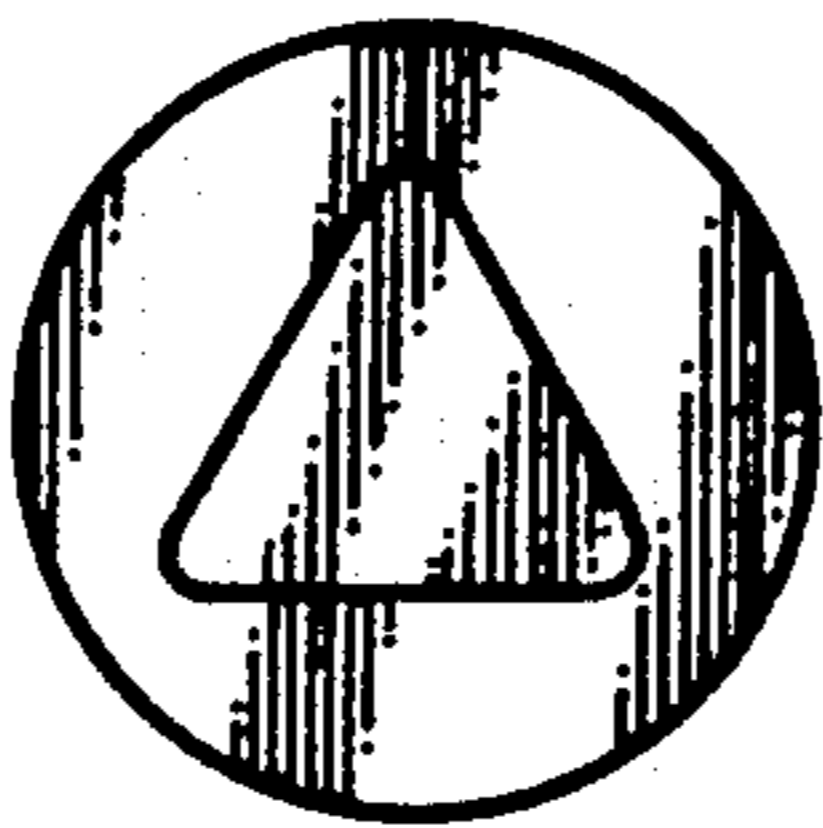


FIG. 4