

United States Patent [19]

Hughes et al.

[11] Patent Number: Des. 316,362

[45] Date of Patent: ** Apr. 23, 1991

- [54] **COMBINED BOTTLE CAP AND CAN TAB OPENER**
- [75] Inventors: **Michael E. Hughes; Robert W. Hughes**, both of 7112 Jefferson, NE., Albuquerque, N. Mex. 87109
- [73] Assignee: **Michael E. Hughes**, Albuquerque, N. Mex.
- [**] Term: **14 Years**
- [21] Appl. No.: **33,481**
- [22] Filed: **Mar. 30, 1987**

Related U.S. Application Data

- [63] Continuation-in-part of Ser. No. 798,577, Nov. 15, 1985.
- [52] U.S. Cl. **D8/40**
- [58] Field of Search **D8/33, 34, 40, 41;**
81/3.09, 3.4, 3.27

References Cited

U.S. PATENT DOCUMENTS

- D. 206,294 11/1966 Poris D9/436
- D. 238,411 1/1976 Levenson D8/40

- D. 276,691 12/1984 Nielsen D8/40
- D. 277,725 2/1985 Silkebakken et al. D8/40
- D. 278,024 3/1985 Hoffman et al. D8/40
- D. 287,093 12/1986 Ryan D8/34
- D. 296,978 8/1988 Smith D8/40
- 4,414,865 11/1983 Brooks et al. D8/40
- 4,474,087 10/1984 Widman 81/3.09
- 4,507,988 4/1985 Lofaso et al. D8/40

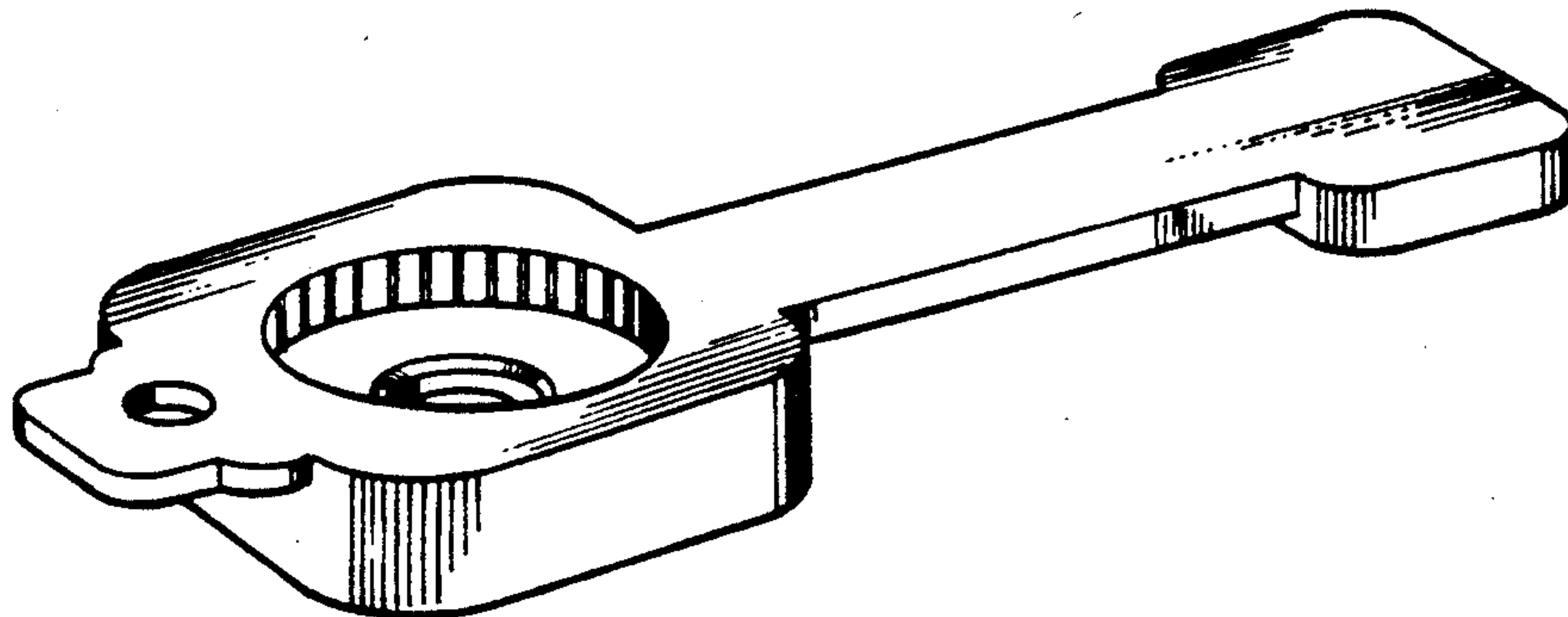
Primary Examiner—Melvin B. Feifer
Assistant Examiner—Philip Hyder
Attorney, Agent, or Firm—Deborah A. Peacock

[57] CLAIM

The ornamental design for a combined bottle cap and can tab opener, as shown and described.

DESCRIPTION

FIG. 1 is a perspective view of a combined bottle cap and can tab opener showing my new design;
 FIG. 2 is a top plan view thereof;
 FIG. 3 is a left side elevational view thereof, the right side view being a mirror image;
 FIG. 4 is a bottom plan view thereof;
 FIG. 5 is a front elevational view thereof; and
 FIG. 6 is a rear elevational view thereof.



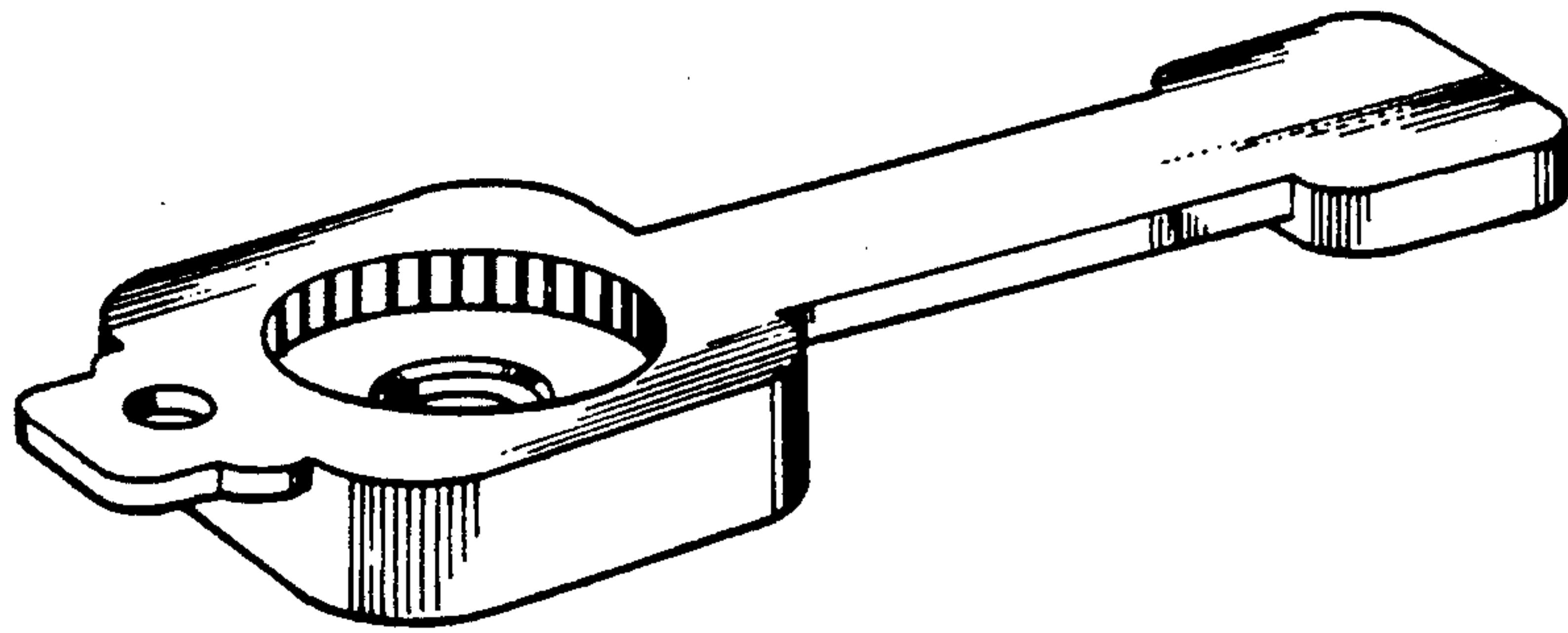


FIG-1

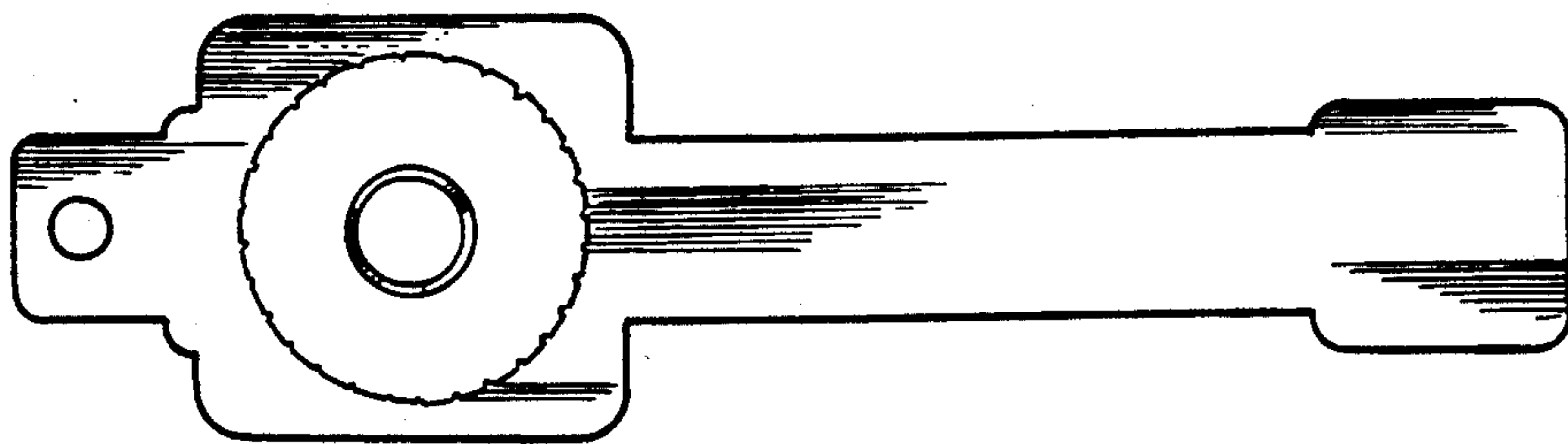


FIG-2

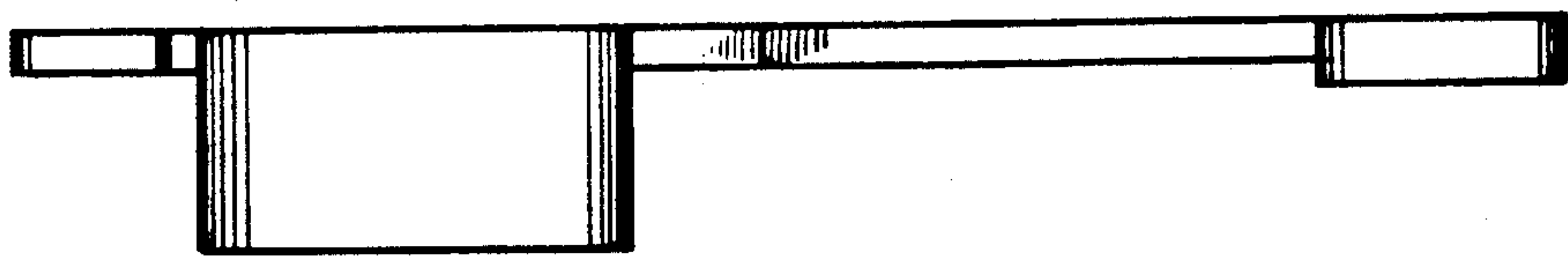


FIG-3

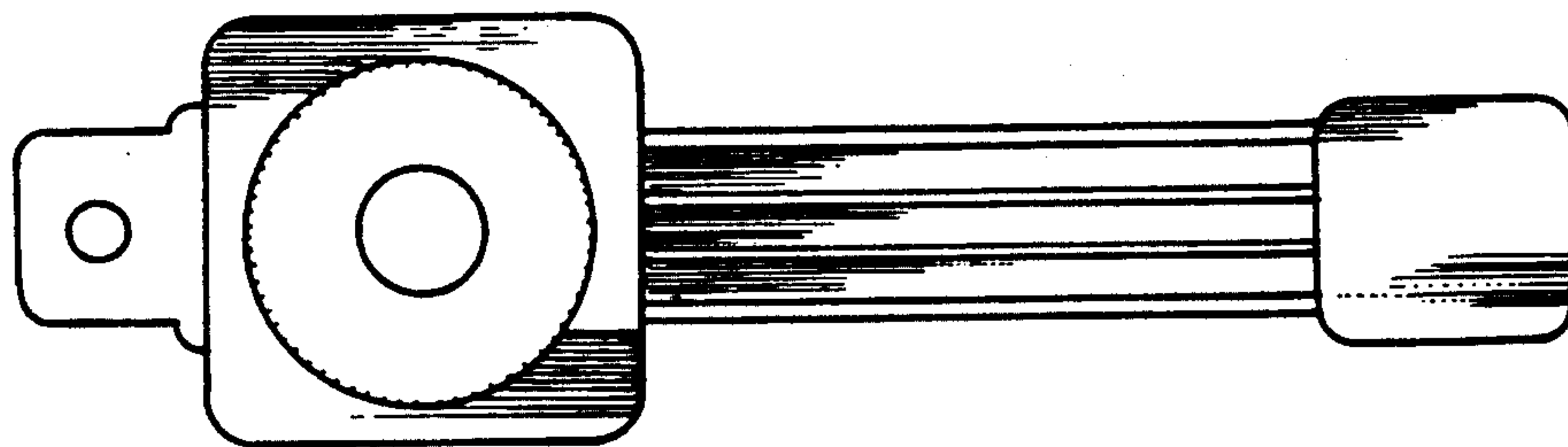


FIG-4

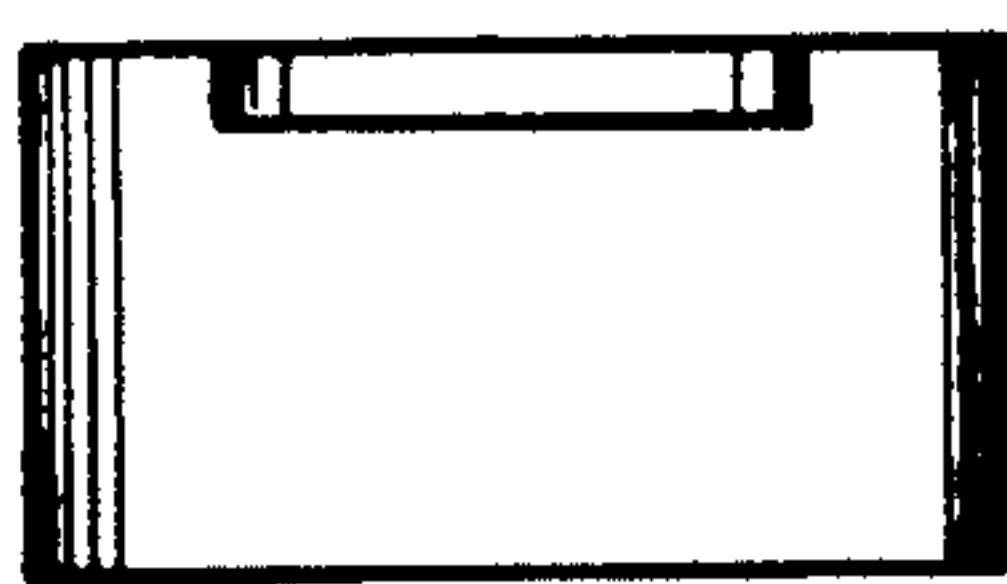


FIG-5

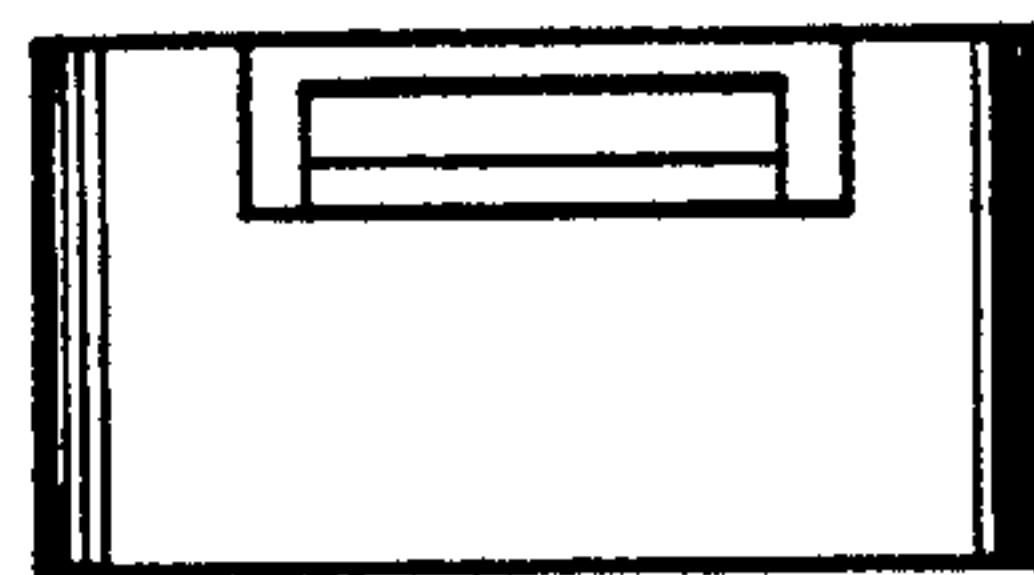


FIG-6