

[54] COOKING RANGE DRAWER PANEL

[75] Inventor: William D. Chanda, Louisville, Ky.

[73] Assignee: General Electric Company, Louisville, Ky.

[**] Term: 14 Years

[21] Appl. No.: 208,018

[22] Filed: Jun. 17, 1988

[52] U.S. Cl. D7/405; D6/494

[58] Field of Search D7/340, 346, 347, 348, D7/405; D6/432, 438, 492, 494; 312/330.1, 348.4, 321.5, 326; 126/273 R, 39 B, 39 C, 190

[56] References Cited

U.S. PATENT DOCUMENTS

D. 132,687	6/1942	Kupperman .	
D. 160,798	11/1950	Little	D7/340
D. 168,893	2/1953	Gustafson	D7/340
D. 200,962	4/1965	McCarthy	D6/494
1,976,118	10/1934	Cruikshank	16/124

2,335,391	11/1943	Cushing	40/8
3,120,984	2/1964	Stohlberg	312/320
4,586,762	5/1986	Kennedy et al.	312/330.1
4,732,430	3/1988	Byrns	312/330.1

Primary Examiner—A. Hugo Word
Assistant Examiner—Ruth McInroy
Attorney, Agent, or Firm—Radford M. Reams; H. Neil Houser

[57] CLAIM

The ornamental design for a cooking range drawer panel, as shown and described.

DESCRIPTION

FIG. 1 is a perspective view of a cooking range drawer panel showing my new design, the range shown in broken lines is for illustrative purposes only and forms no part of the claimed design;

FIG. 2 is a front perspective view thereof;

FIG. 3 is a top plan view thereof;

FIG. 4 is a front elevational view thereof; and

FIG. 5 is a side elevational view thereof.

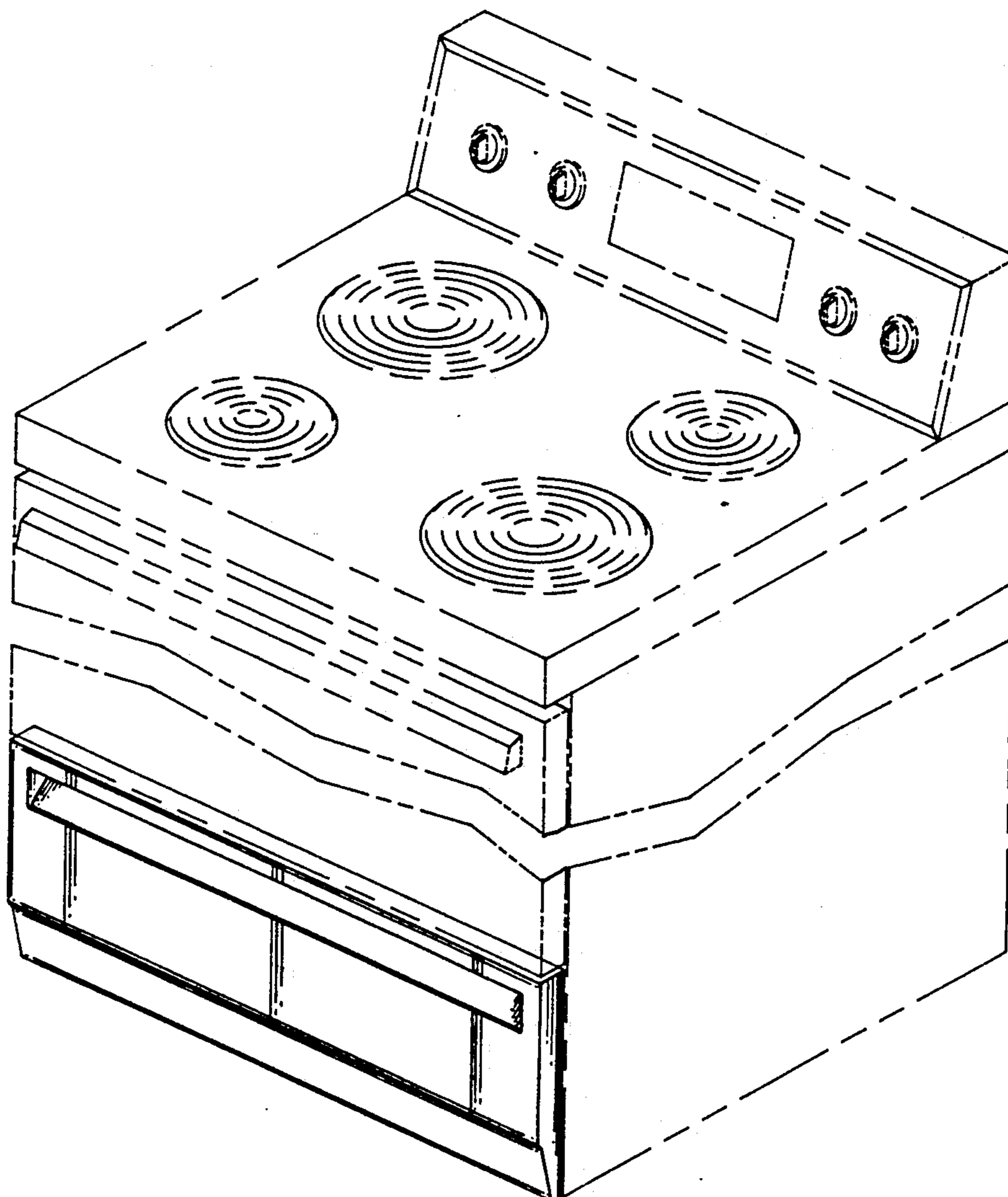


FIG. 1

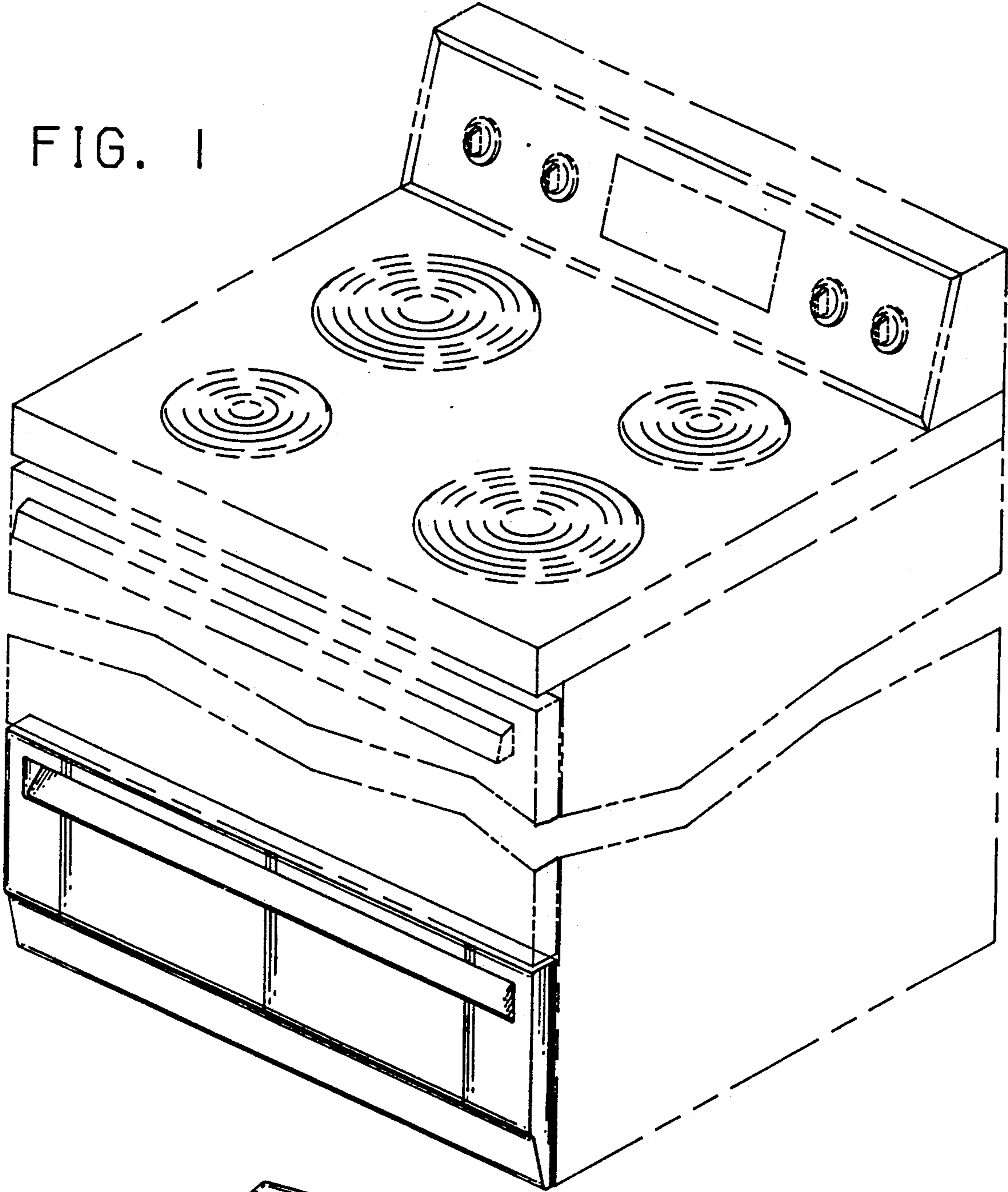


FIG. 2

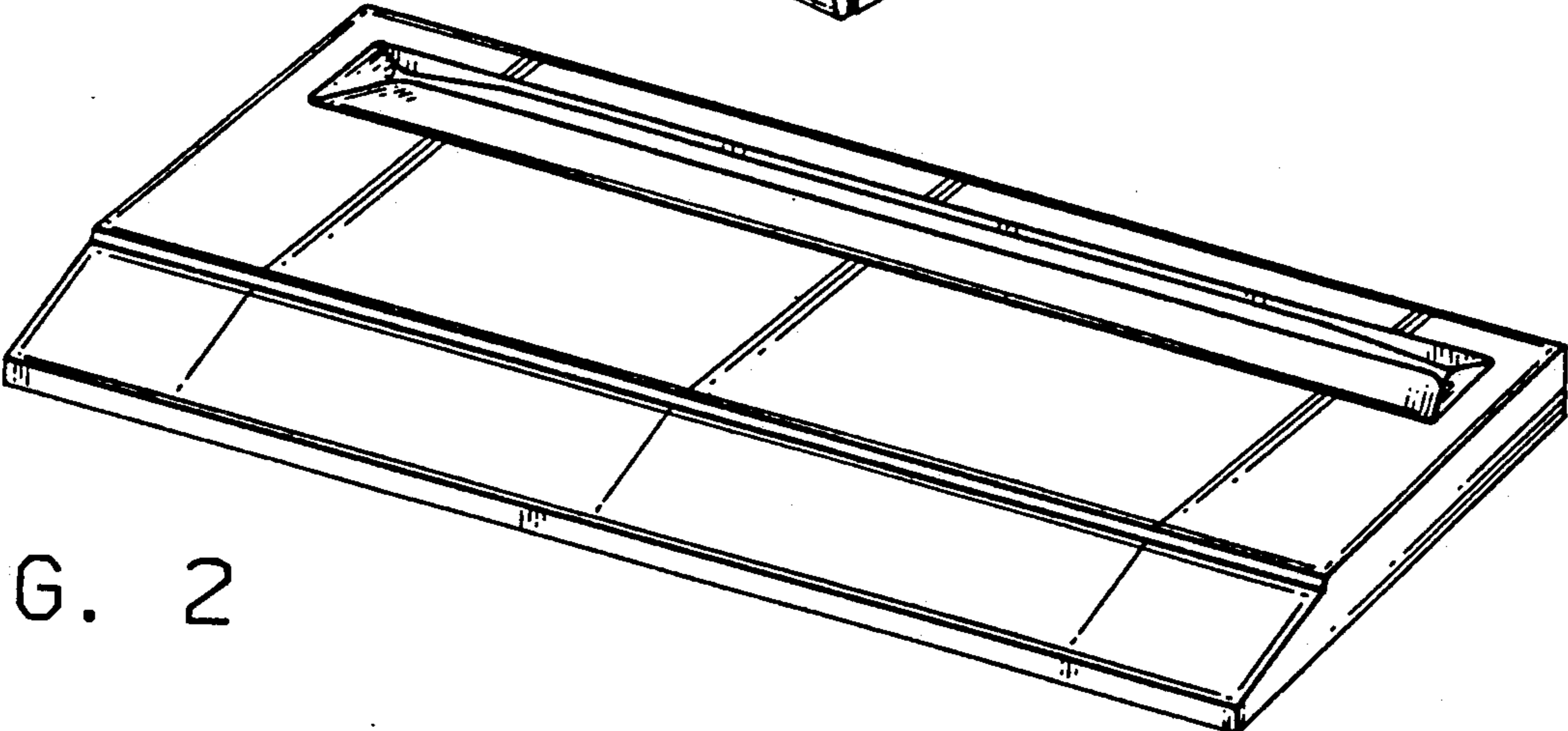




FIG. 3

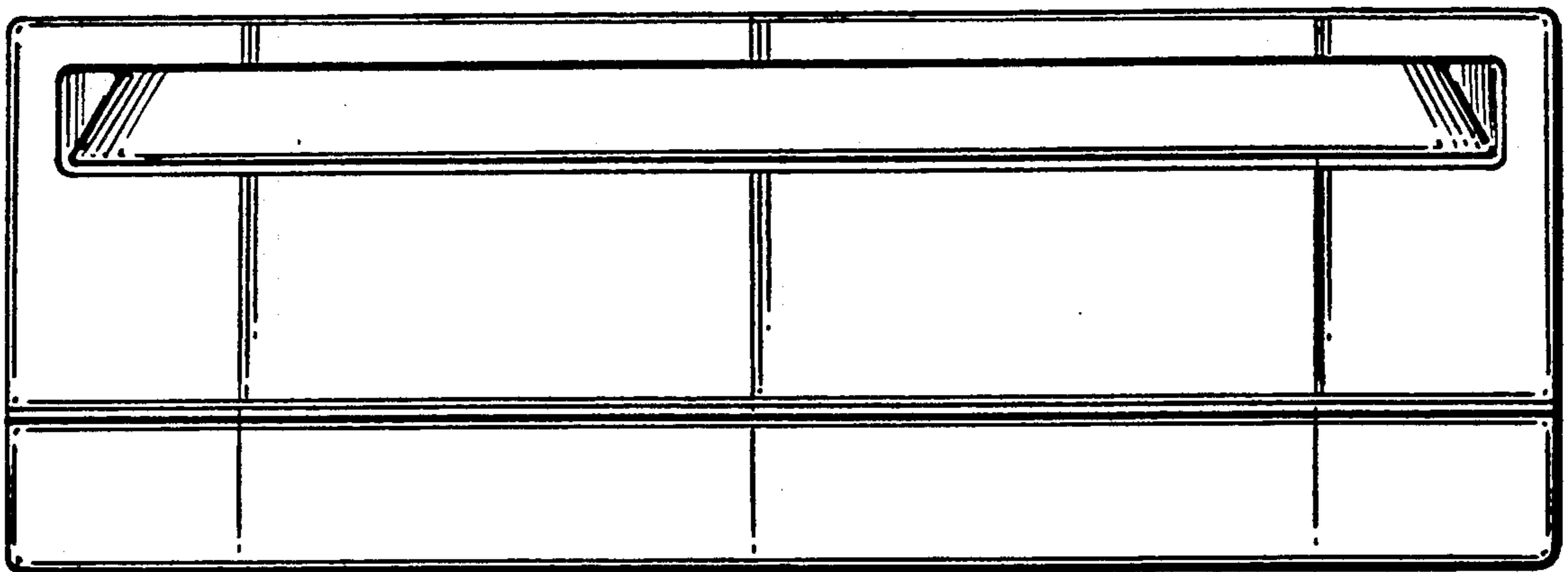


FIG. 4



FIG. 5