

[54] CAPPUCCINO MAKING ADAPTER FOR AN ESPRESSO MACHINE

[75] Inventor: Michael Borgmann, Solingen, Fed. Rep. of Germany

[73] Assignee: Robert Krups Stiftung & Co. KG., Solingen, Fed. Rep. of Germany

[**] Term: 14 Years

[21] Appl. No.: 205,114

[22] Filed: Jun. 9, 1988

[30] Foreign Application Priority Data

Dec. 11, 1987 [DE] Fed. Rep. of Germany 5MR9831
[52] U.S. Cl. D7/398; D7/387
[58] Field of Search 99/323.1, 323.3, 293, 99/294, 295, 454; 239/427.3, 427.5; 366/101; 261/DIG. 7; D7/300, 305, 309, 310, 312, 308, 397, 398, 387

[56] References Cited
U.S. PATENT DOCUMENTS

3,588,053 6/1971 Rothermel 366/101 X
4,800,805 1/1989 Mahlich 99/293
4,852,473 8/1989 Bolivar D7/398 X

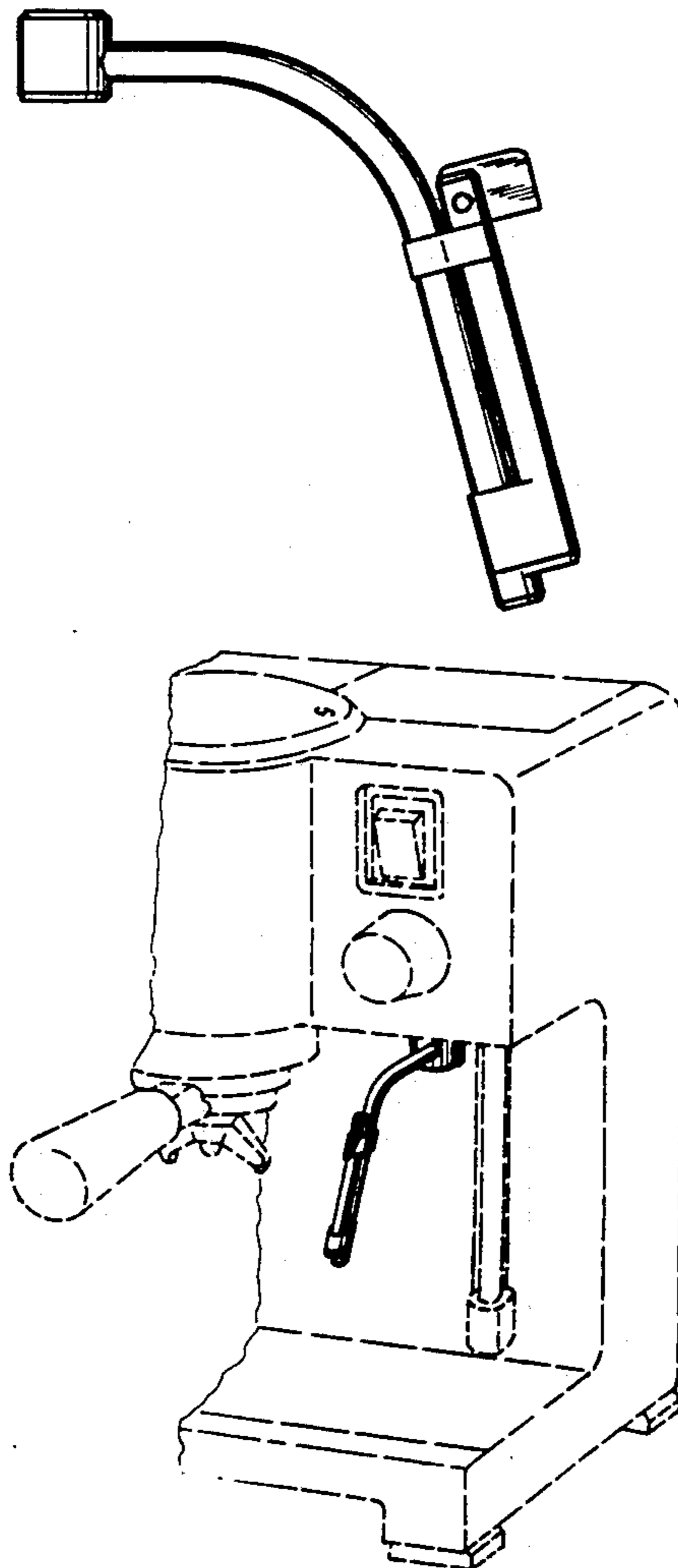
Primary Examiner—Winifred E. Herrmann
Attorney, Agent, or Firm—Peter K. Kontler

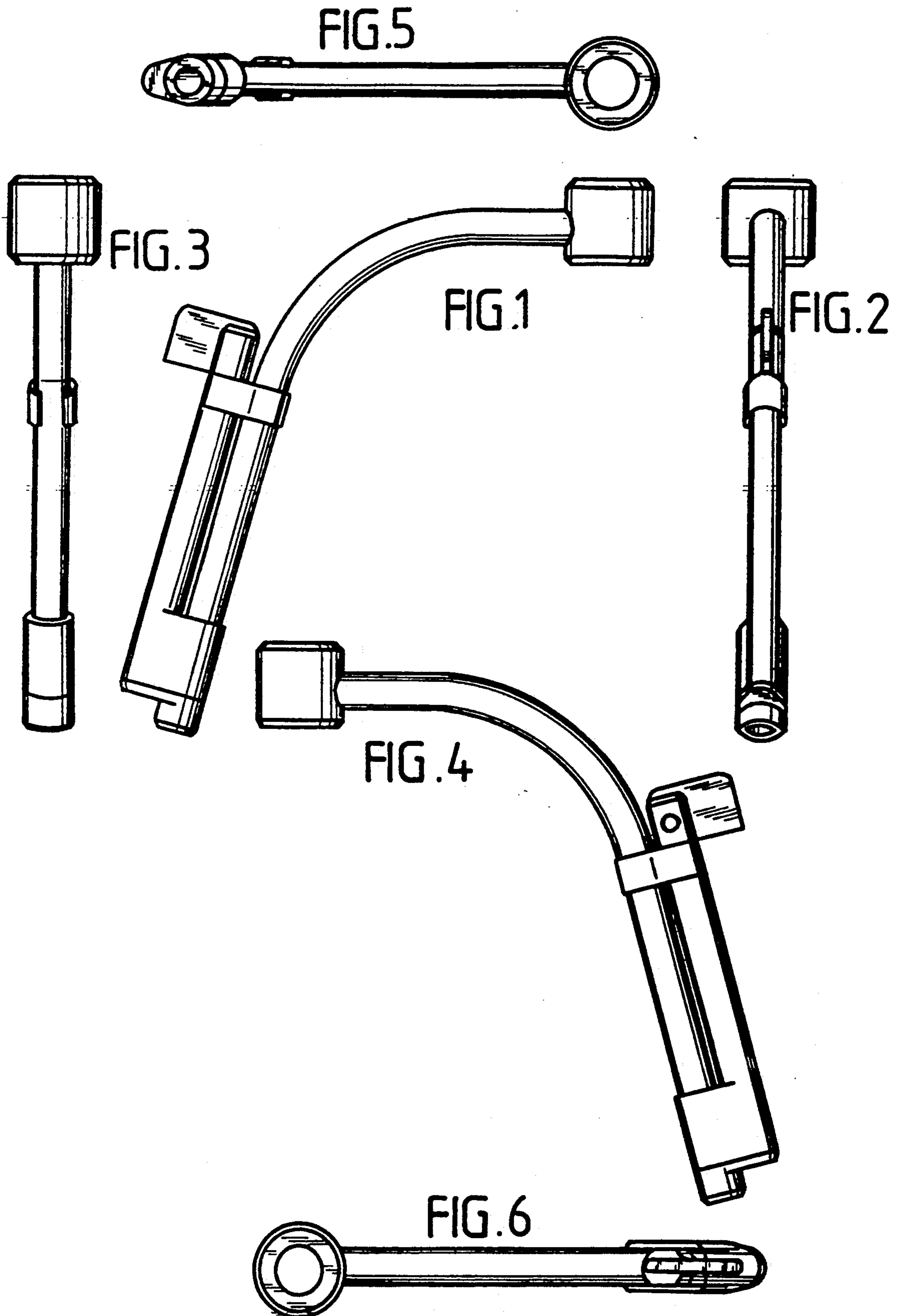
[57] CLAIM

The ornamental design for a cappuccino making adapter for an espresso machine, as shown and described.

DESCRIPTION

FIG. 1 is a right-side elevational view of a cappuccino making adapter for an espresso machine showing my new design;
FIG. 2 is a front elevational view;
FIG. 3 is a rear elevational view;
FIG. 4 is a left-side elevational view;
FIG. 5 is a bottom plan view;
FIG. 6 is a top plan view; and
FIG. 7 is a front perspective view thereof.
The broken line showing of a fragmentary portion of an espresso machine is illustrative of environmental structure only and forms no part of the claimed design.





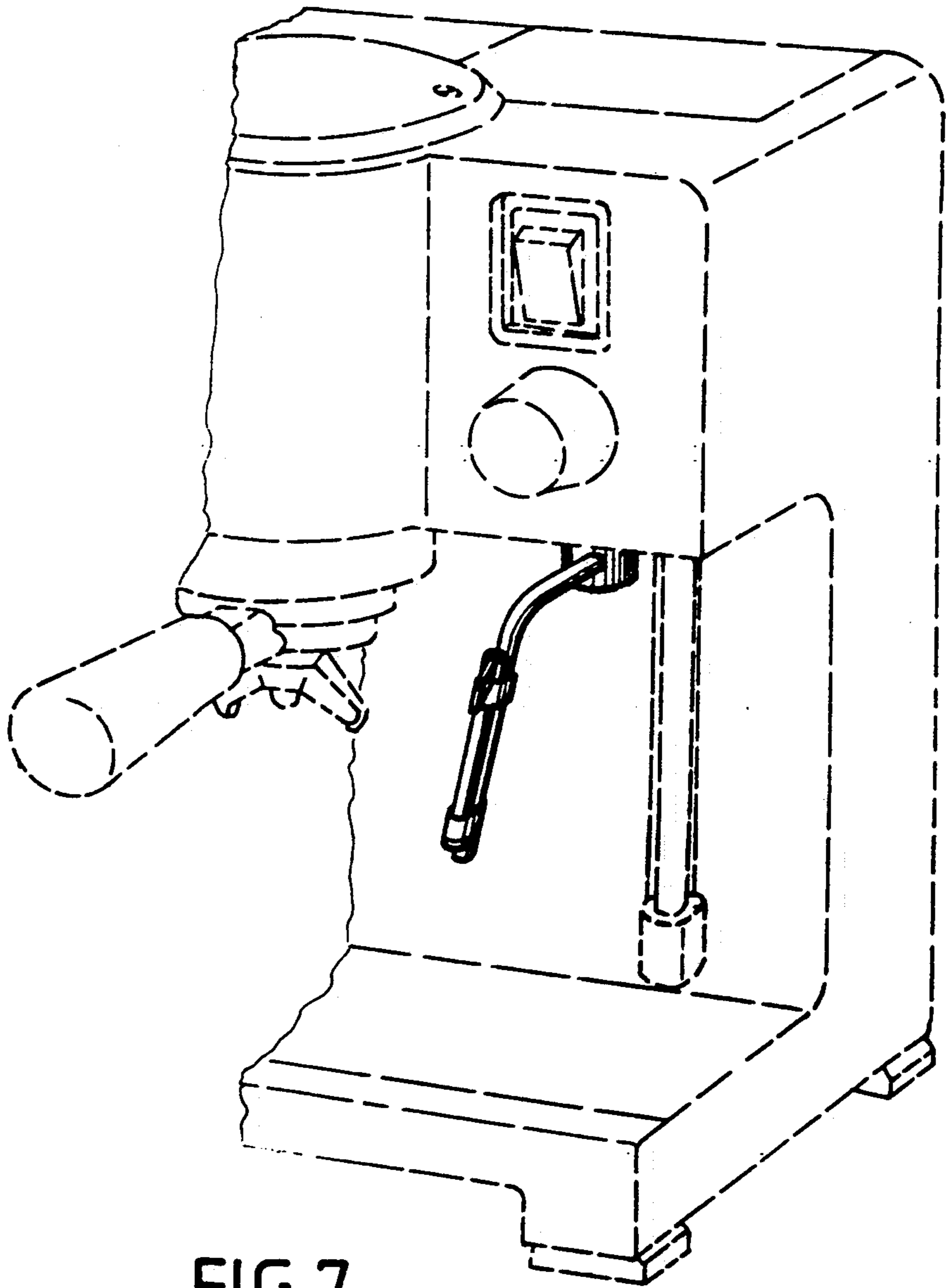


FIG. 7