

[54] PORTABLE GAS GRILL

[75] Inventors: James C. Stephen, Arlington Heights; Erich J. Schlosser, Barrington; Donald D. Pestka, Arlington Heights, all of Ill.

[73] Assignee: Weber-Stephen Products Co., Palatine, Ill.

[**] Term: 14 Years

[21] Appl. No.: 231,843

[22] Filed: Aug. 12, 1988

[52] U.S. Cl. D7/339

[58] Field of Search D7/331-332, D7/334-337; 126/25 R, 25 A, 25 B, 29-30, 26, 9 R, 38, 41 R

[56] References Cited

U.S. PATENT DOCUMENTS

D. 196,996	11/1963	Kates	D7/334
D. 206,738	1/1967	Wilkinson	D7/334
D. 208,179	7/1967	King et al.	D7/334
D. 219,629	12/1970	Koziol	D7/334
D. 293,067	12/1987	Stephen et al.	D7/334

OTHER PUBLICATIONS

Do it Yourself Retailing, 1/1987, p. 102, "Char-Broil", bottom left on page.

Primary Examiner—James R. Largen
Assistant Examiner—Doris V. Coles
Attorney, Agent, or Firm—Wallenstein Wagner & Hattis, Ltd.

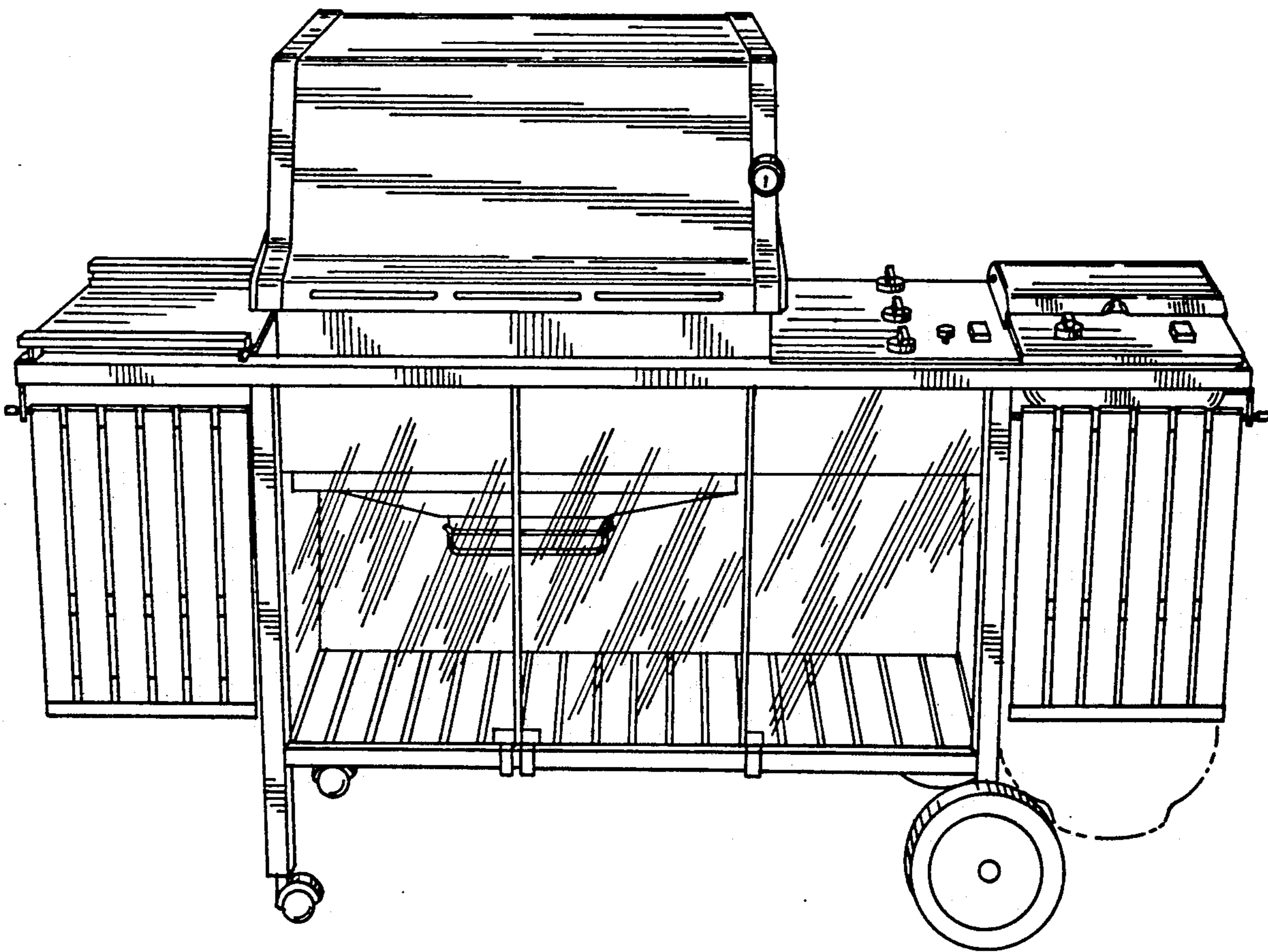
[57] CLAIM

The ornamental design for a portable gas grill, as shown and described.

DESCRIPTION

FIG. 1 is a front perspective view of a portable gas grill showing our new design;
FIG. 2 is a front elevational view thereof;
FIG. 3 is a top plan view thereof;
FIG. 4 is a right-side elevation view thereof;
FIG. 5 is a left-side elevational view thereof;
FIG. 6 is a rear elevational view thereof; and,
FIG. 7 is a front perspective view thereof, in an open condition.

The gas container shown in broken lines in FIGS. 1 and 7 is for illustrative purposes only and forms no part of the claimed design.



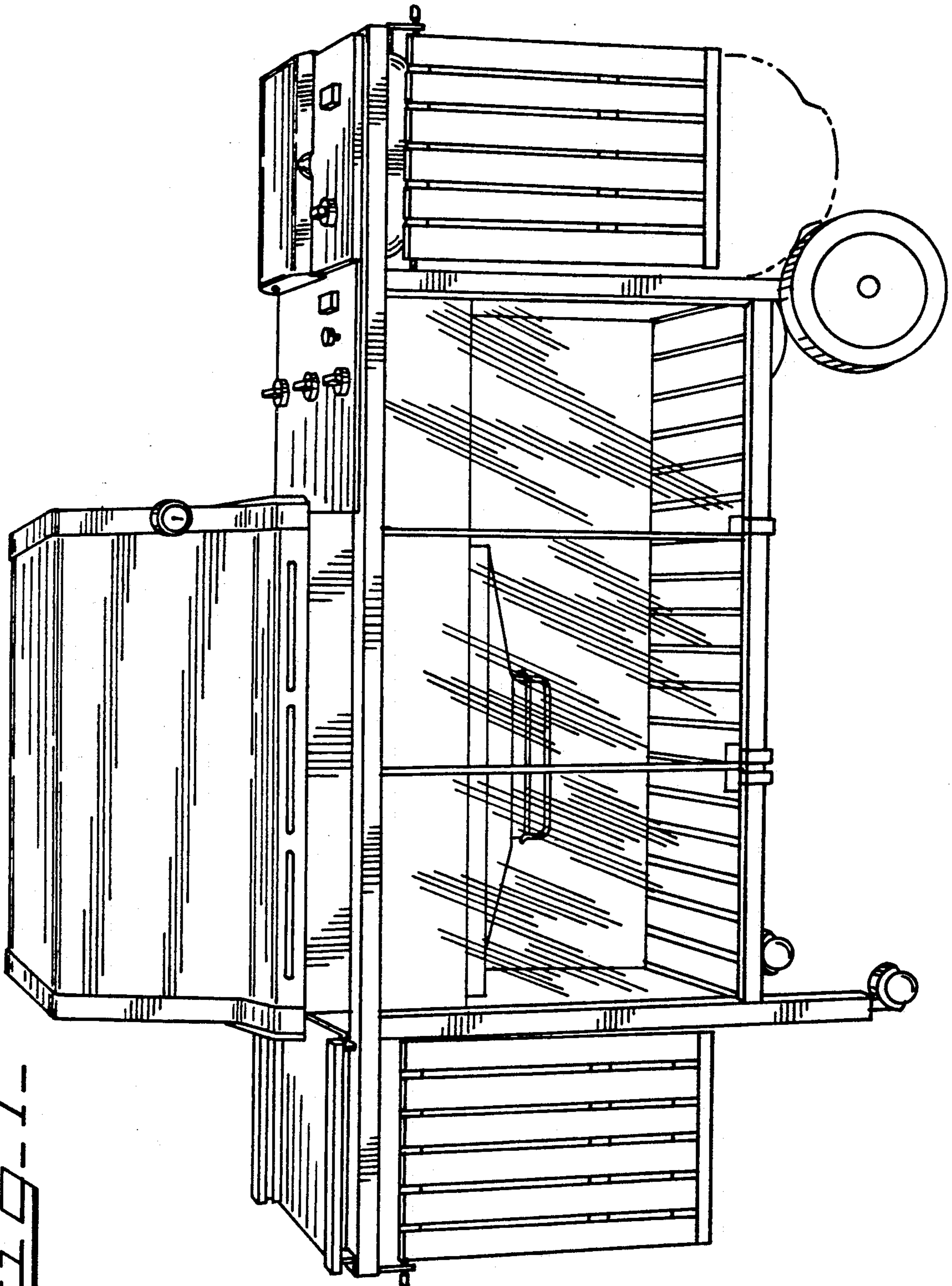


FIG. 1

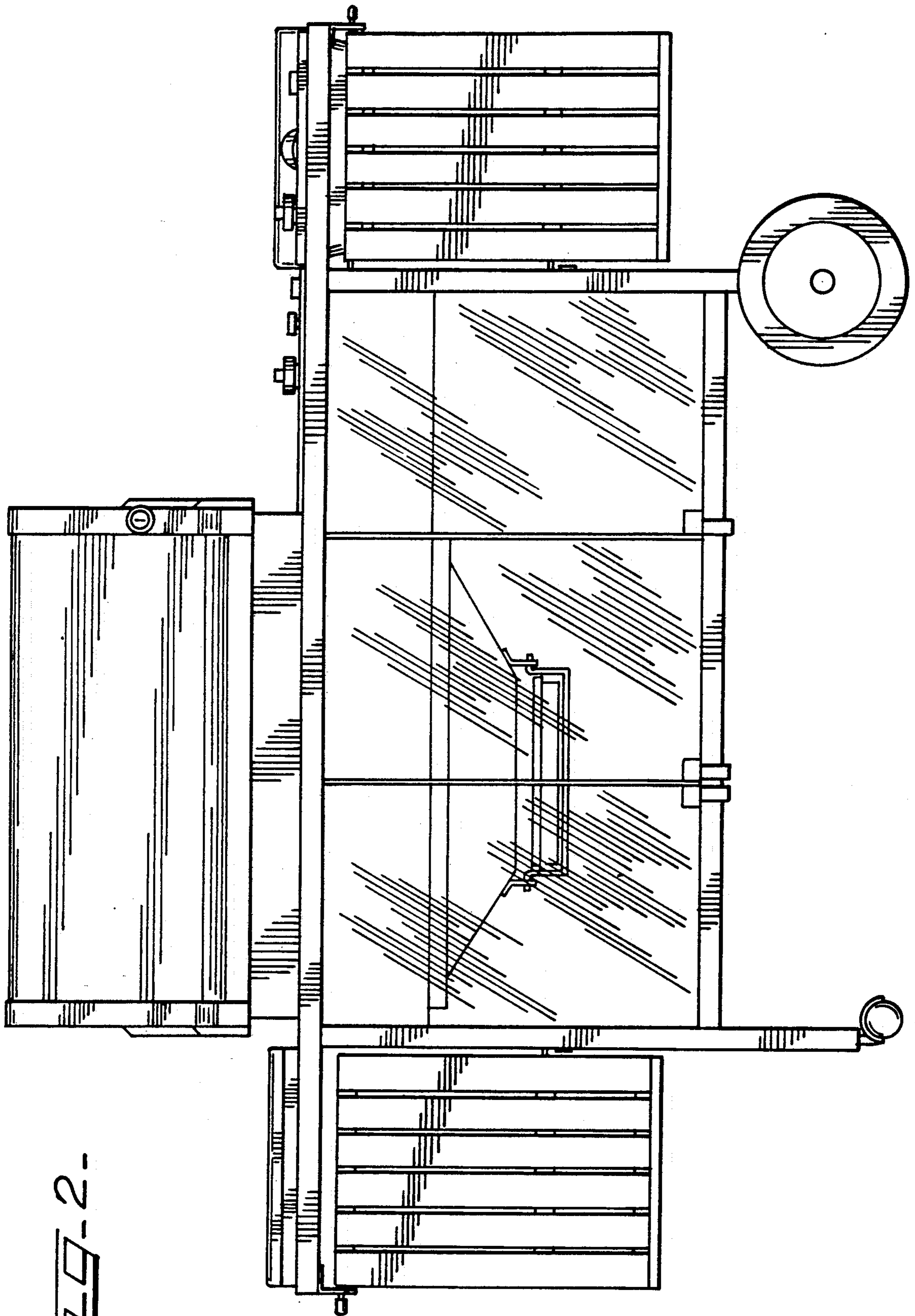


FIG. 2.

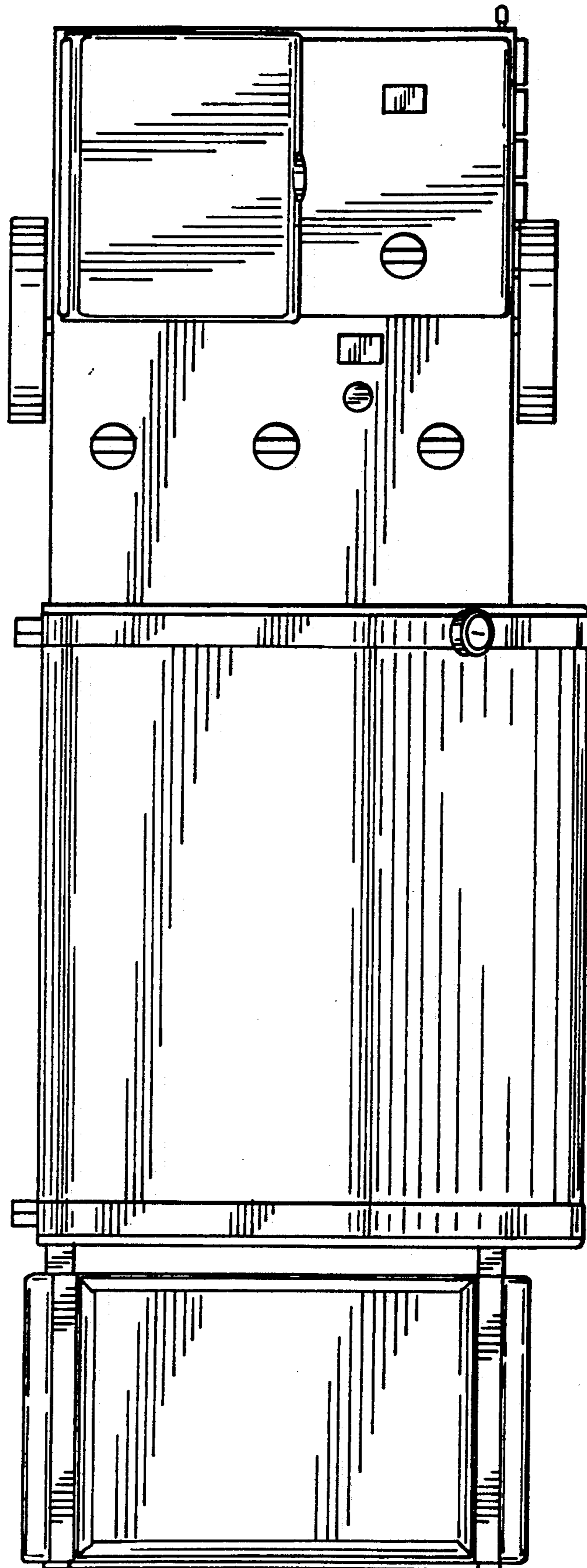


FIG-3-

FIG-5-

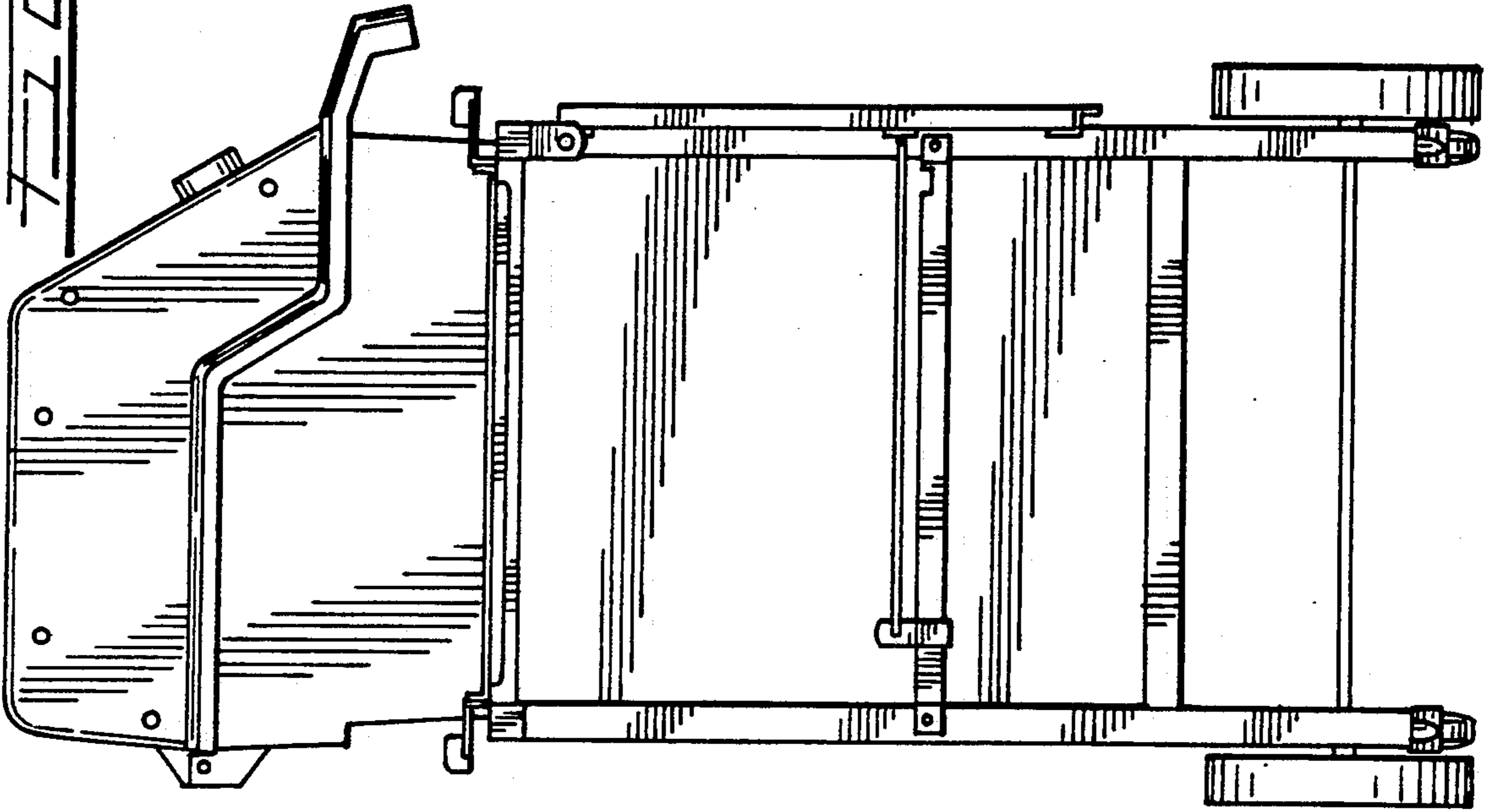
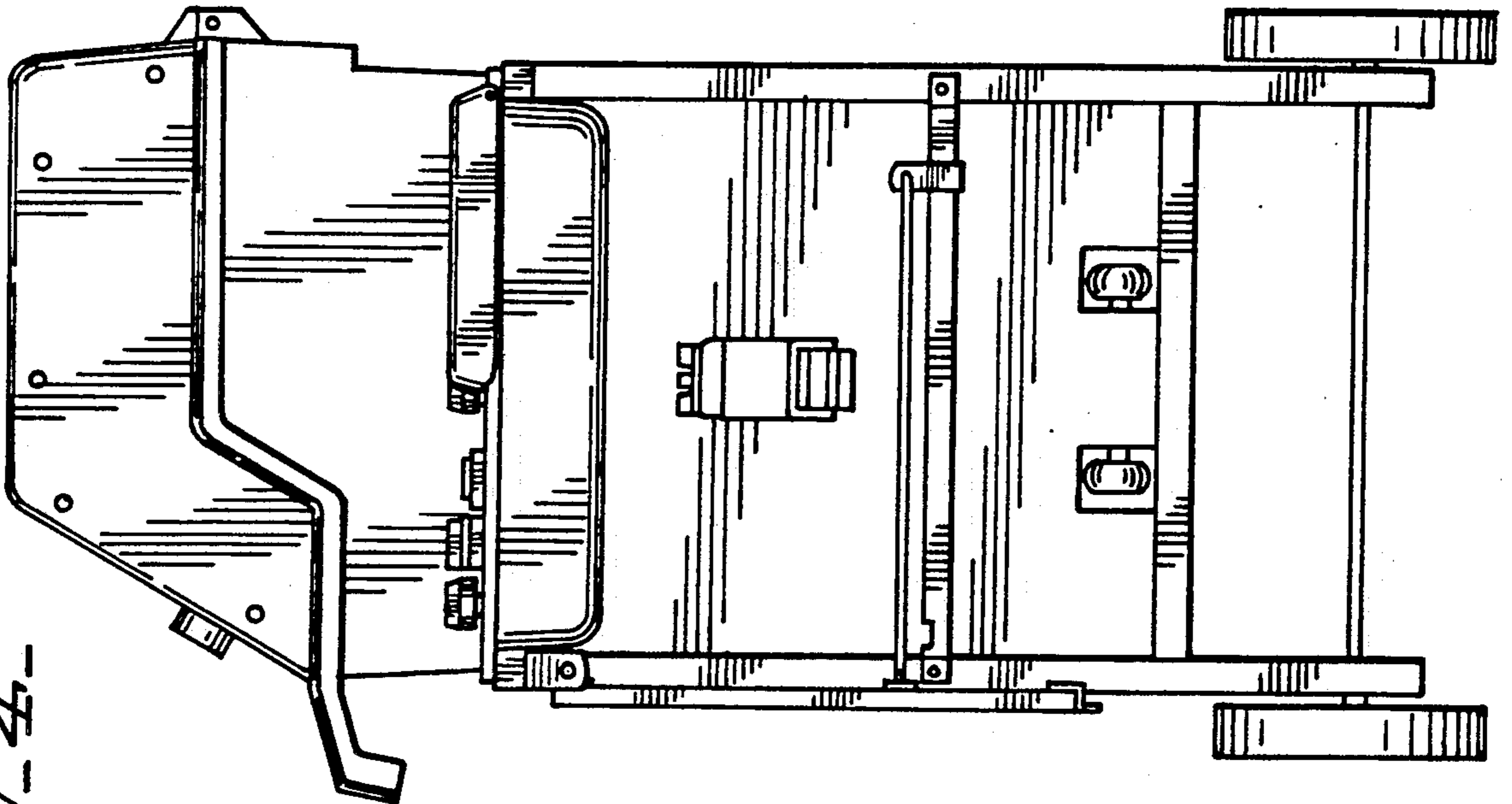


FIG-4-



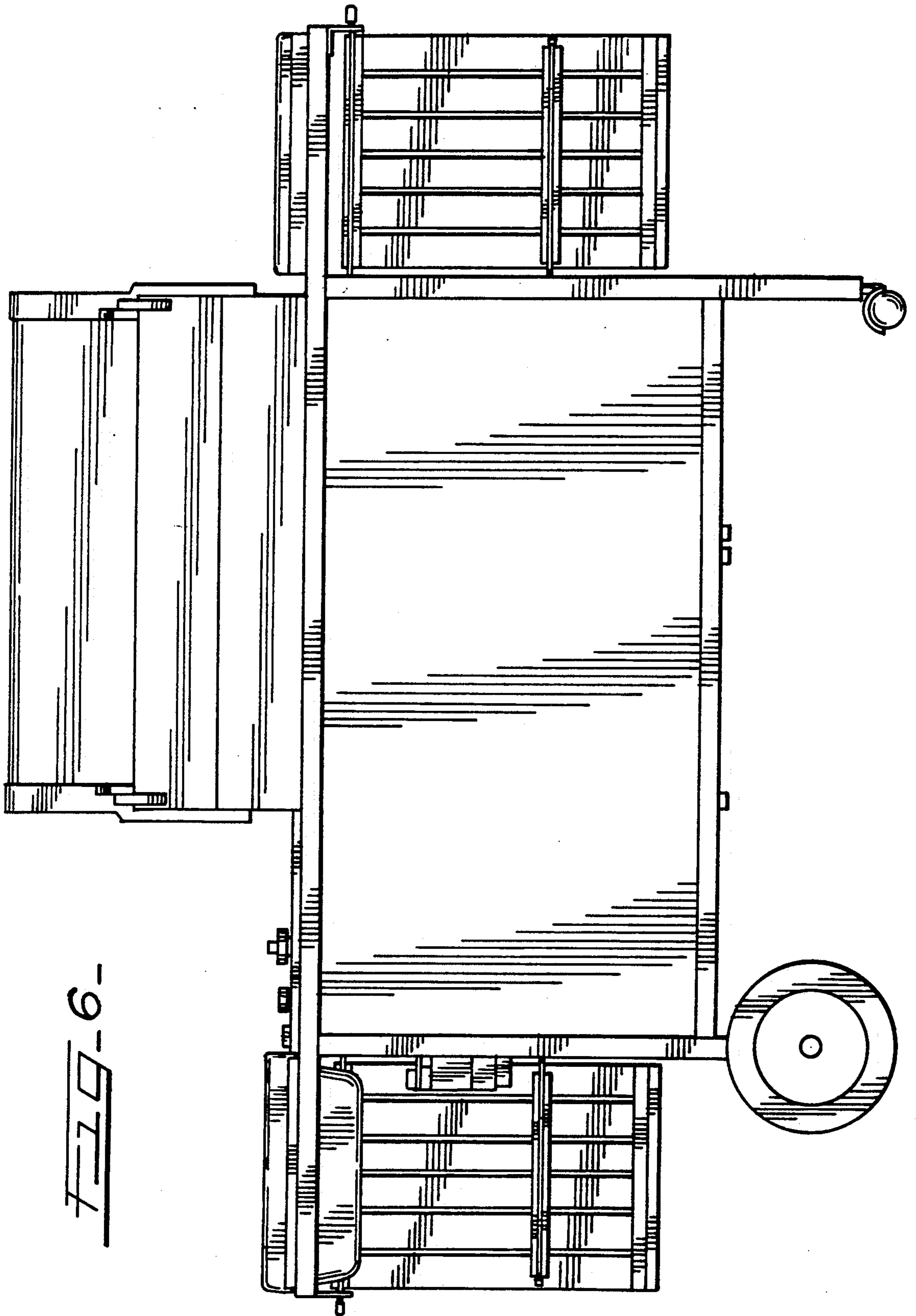


Fig. 6-

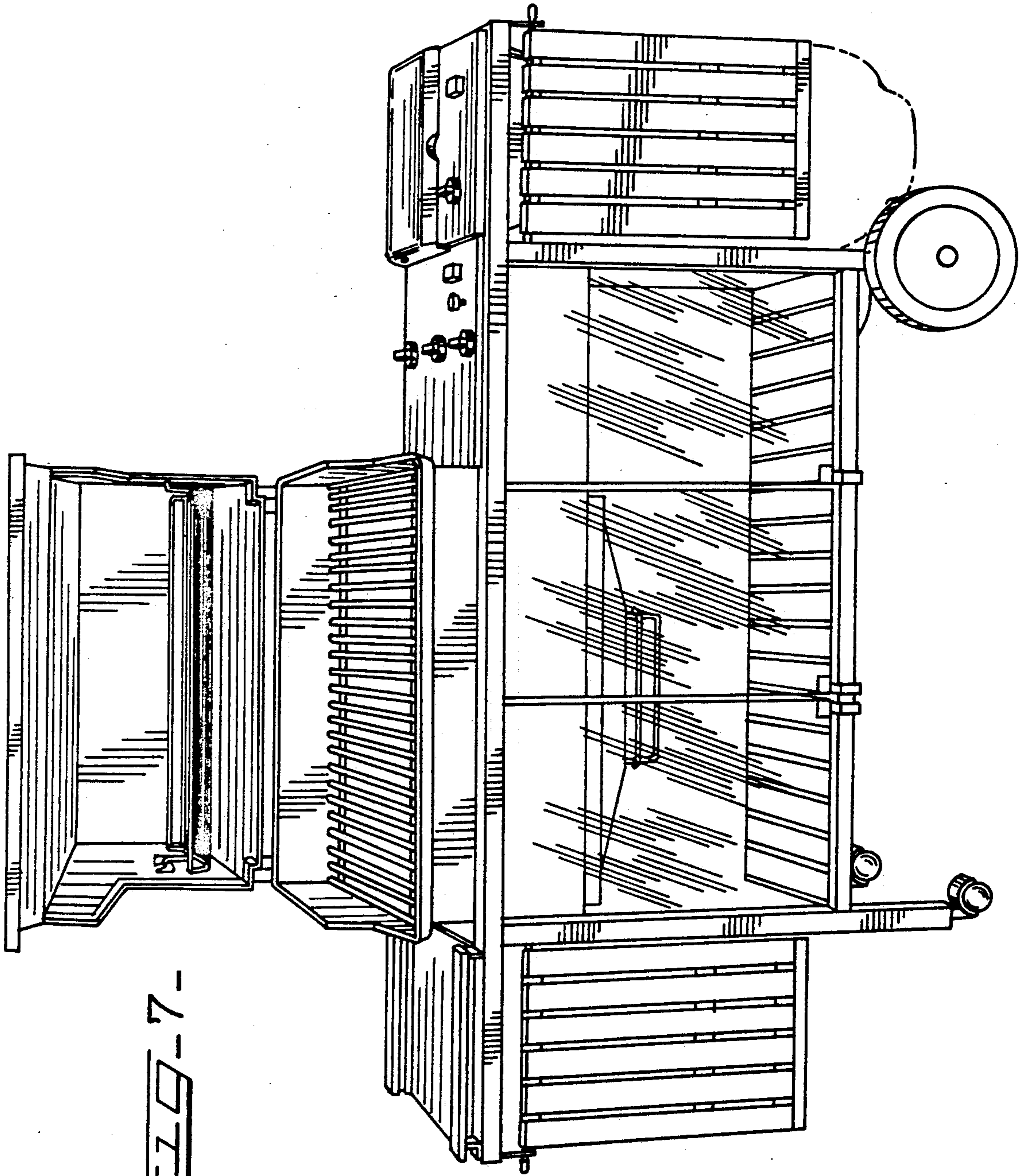


FIG. 7-