

[54] LOIN REST

[76] Inventor: Robert Boal, 62 Victoria Street, Balmoral Heights, Queensland 4171, Australia

[\*\*] Term: 14 Years

[21] Appl. No.: 313,257

[22] Filed: Feb. 21, 1989

[30] Foreign Application Priority Data

Aug. 19, 1988 [XB] Benelux ..... 63548-00

[52] U.S. Cl. .... D6/601

[58] Field of Search ..... D6/595-596, D6/601; 5/431, 434, 436, 440-441, 443, 448, 481; 297/458, DIG. 1

[56] References Cited

U.S. PATENT DOCUMENTS

D. 258,557 3/1981 Herr ..... D6/601

D. 267,299 12/1982 Lund, III ..... D6/601  
D. 285,512 9/1986 Boal ..... D6/601  
4,660,238 4/1987 Jay ..... 5/431  
4,709,431 12/1987 Shaktman ..... 5/431 X

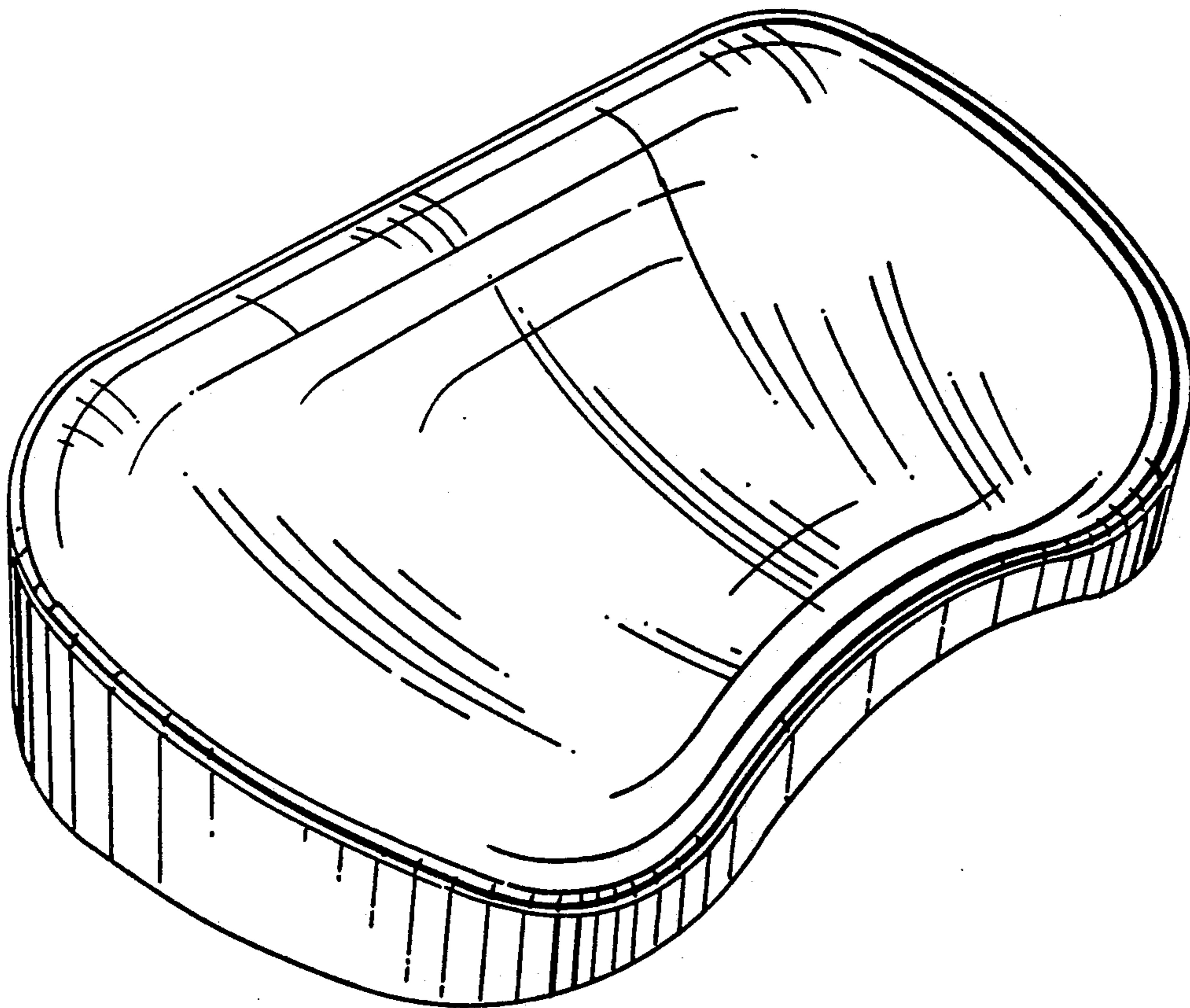
Primary Examiner—Wallace R. Burke  
Assistant Examiner—Brian N. Vinson  
Attorney, Agent, or Firm—Armstrong, Nikaido, Marmelstein, Kubovcik & Murray

[57] CLAIM

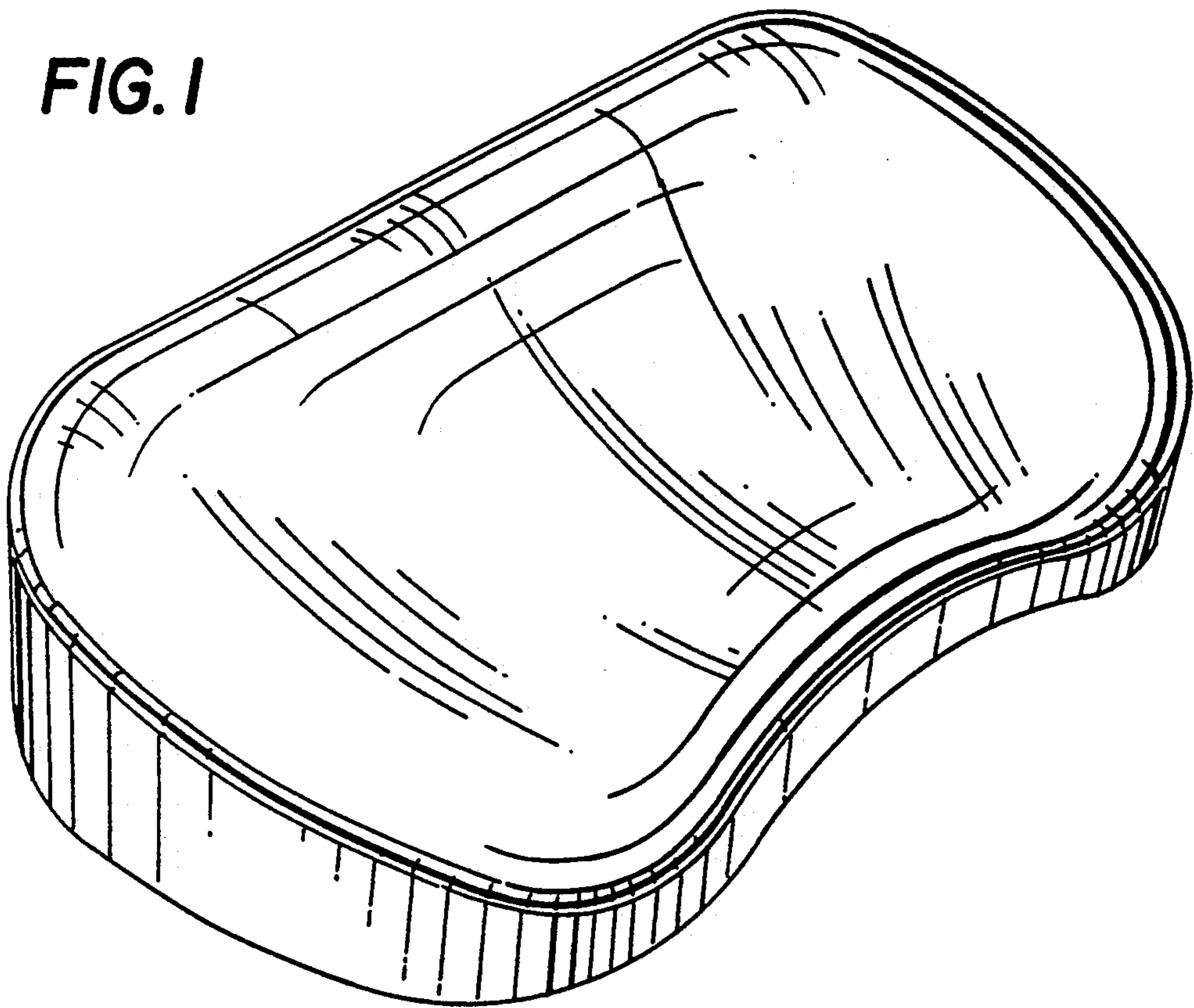
The ornamental design for a loin rest, as shown and described.

DESCRIPTION

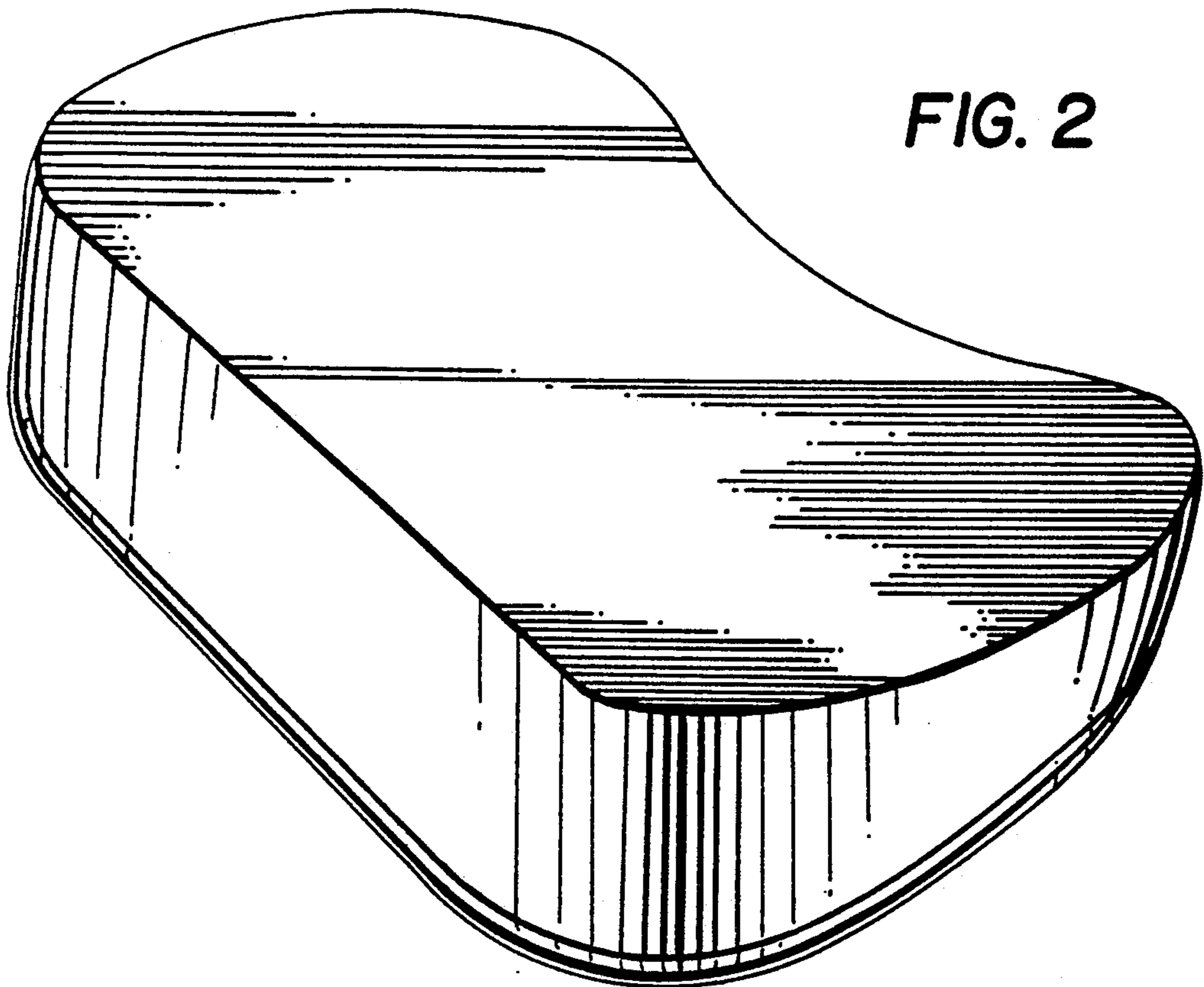
FIG. 1 is a top, front, and left side perspective view of a loin rest showing my new design;  
FIG. 2 is a bottom, rear, and right side perspective view thereof;  
FIG. 3 is a top plan view thereof;  
FIG. 4 is a left side elevational view thereof, the right side being a mirror image of that shown; and  
FIG. 5 is a front elevational view thereof.



**FIG. 1**



**FIG. 2**



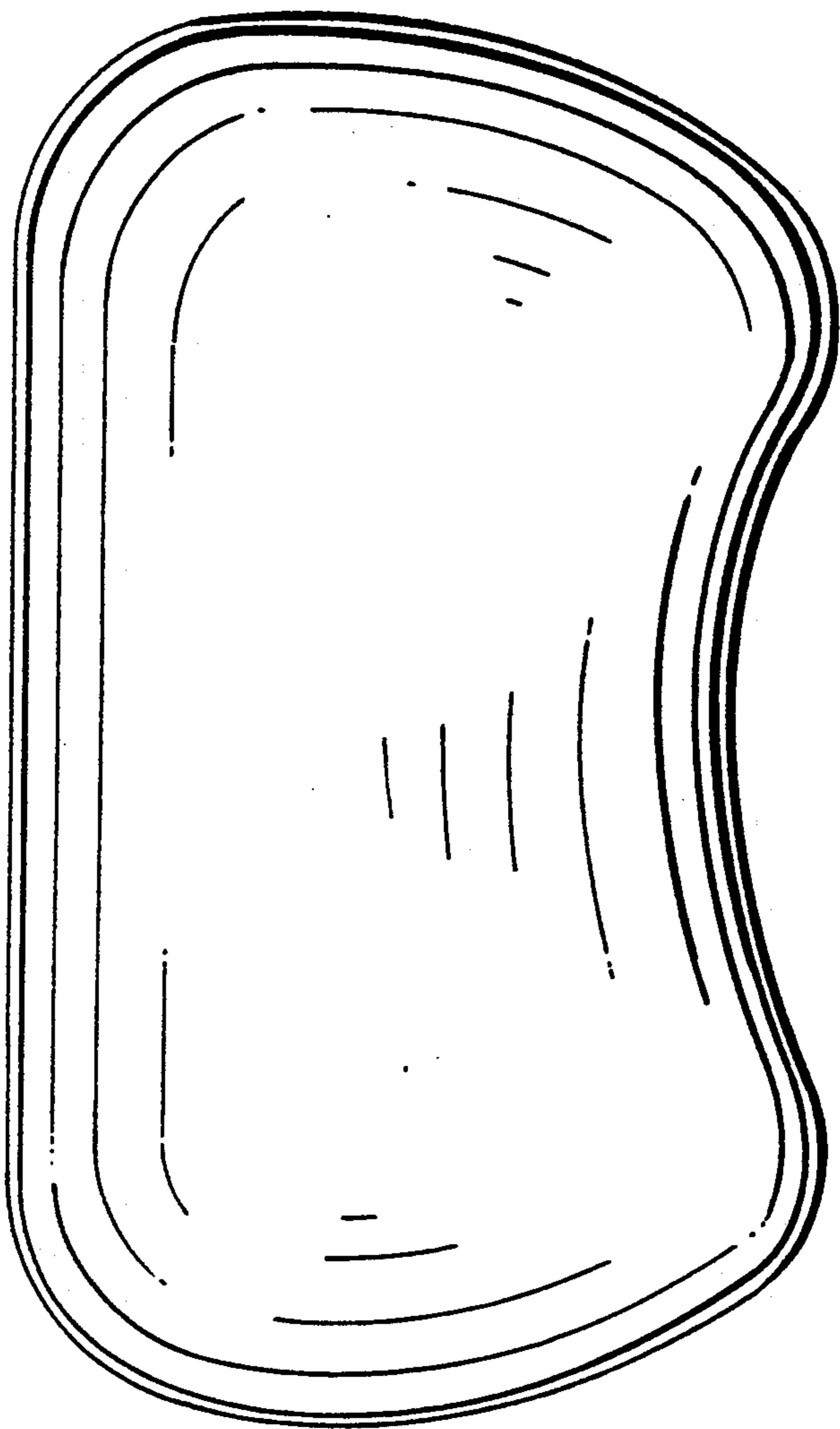


FIG. 3

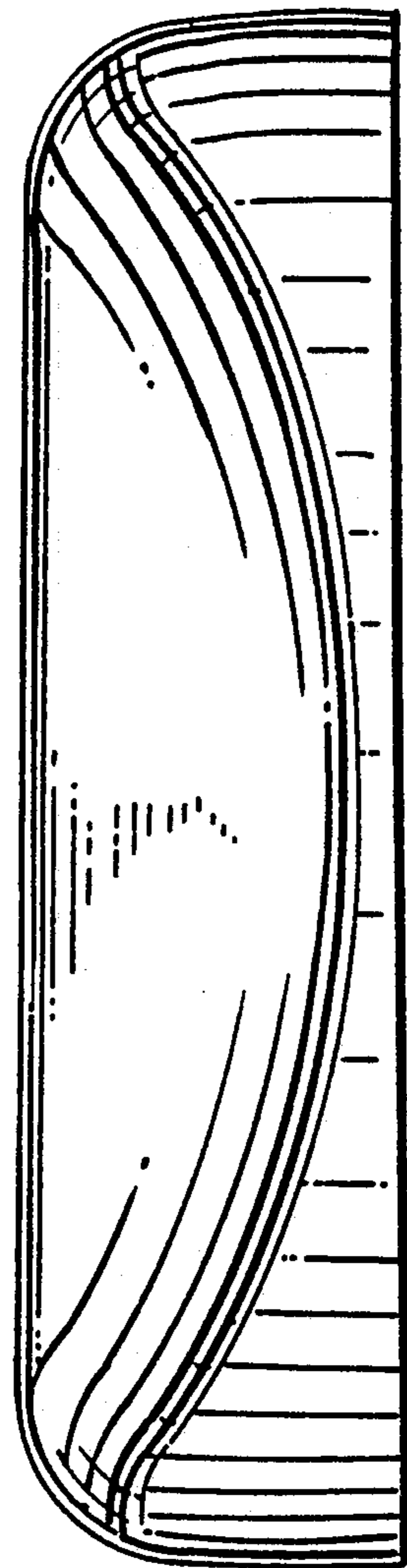


FIG. 5

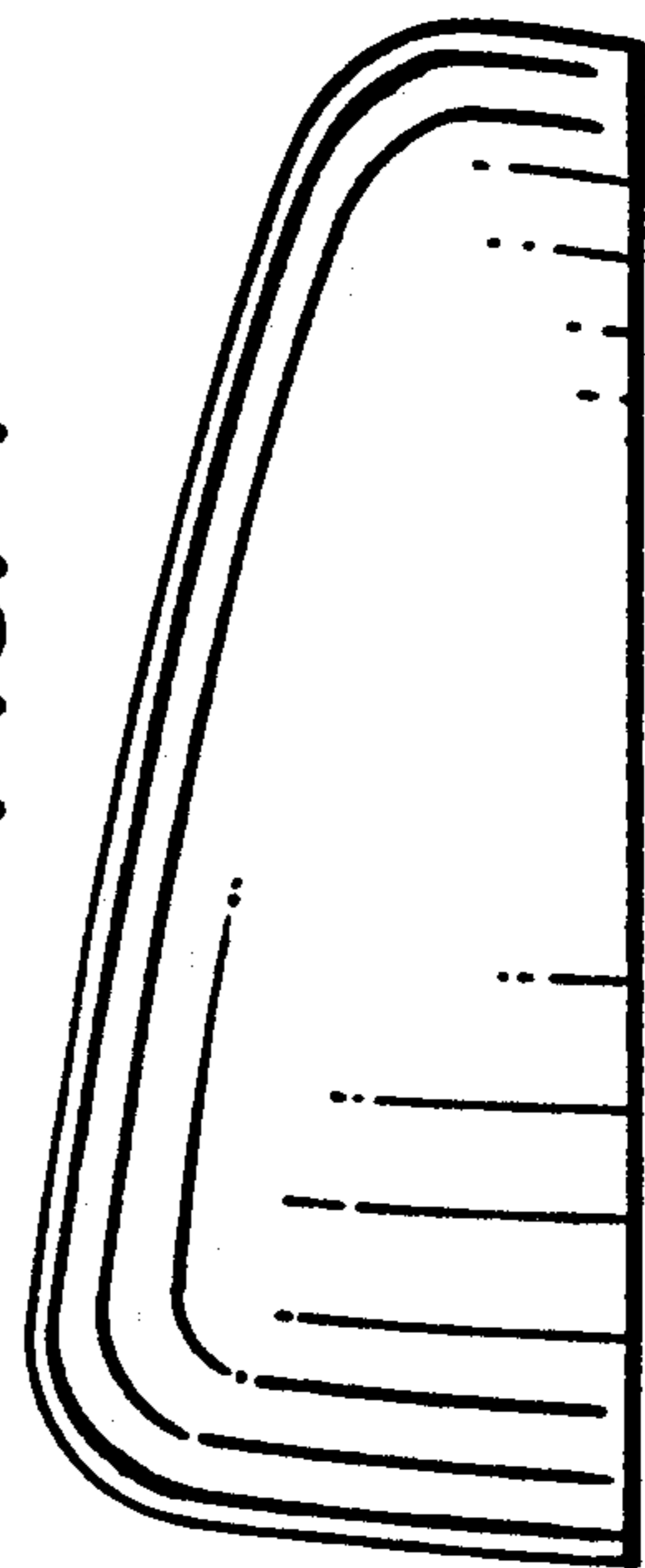


FIG. 4