

[54] SUPPORT STAND FOR HANDHELD REMOTE CONTROLLERS

3,200,957 8/1965 Morin 211/71
4,832,208 5/1989 Finnegan 211/74 X

[75] Inventor: Eugene Getto, New York, N.Y.

[73] Assignee: Itemakers Ltd., Forest Hills, N.Y.

[**] Term: 14 Years

[21] Appl. No.: 207,304

[22] Filed: Jun. 15, 1988

[52] U.S. Cl. D6/467; D6/407

[58] Field of Search D6/462, 463, 464, 465, D6/449, 458, 466, 467, 469, 407; 211/13, 71, 74

[56] References Cited

U.S. PATENT DOCUMENTS

D. 161,795	1/1951	Shapiro	D6/467
D. 238,930	12/1975	Liner	D6/467
D. 246,491	11/1977	D'Alo	D6/467
D. 275,820	10/1984	Young	D6/467 X
D. 289,586	5/1987	Staab	D6/449
D. 299,361	1/1989	Lothe	D6/407 X
D. 300,095	3/1989	Robinson	D6/467

OTHER PUBLICATIONS

J.D. Acrylics catalog, p. 6, Clutch Bag displays.

Primary Examiner—Bruce W. Dunkins

Assistant Examiner—Jeffrey Asch

Attorney, Agent, or Firm—Amster, Rothstein & Ebenstein

[57] CLAIM

The ornamental design for a support stand for handheld remote controllers, as shown.

DESCRIPTION

FIG. 1 is a top, front, and left side perspective view of a support stand for handheld remote controllers, showing my new design;

FIG. 2 is a front elevational view thereof;

FIG. 3 is a top plan view thereof;

FIG. 4 is a right side elevational view thereof;

FIG. 5 is a rear elevational view thereof; and

FIG. 6 is a bottom plan view thereof.

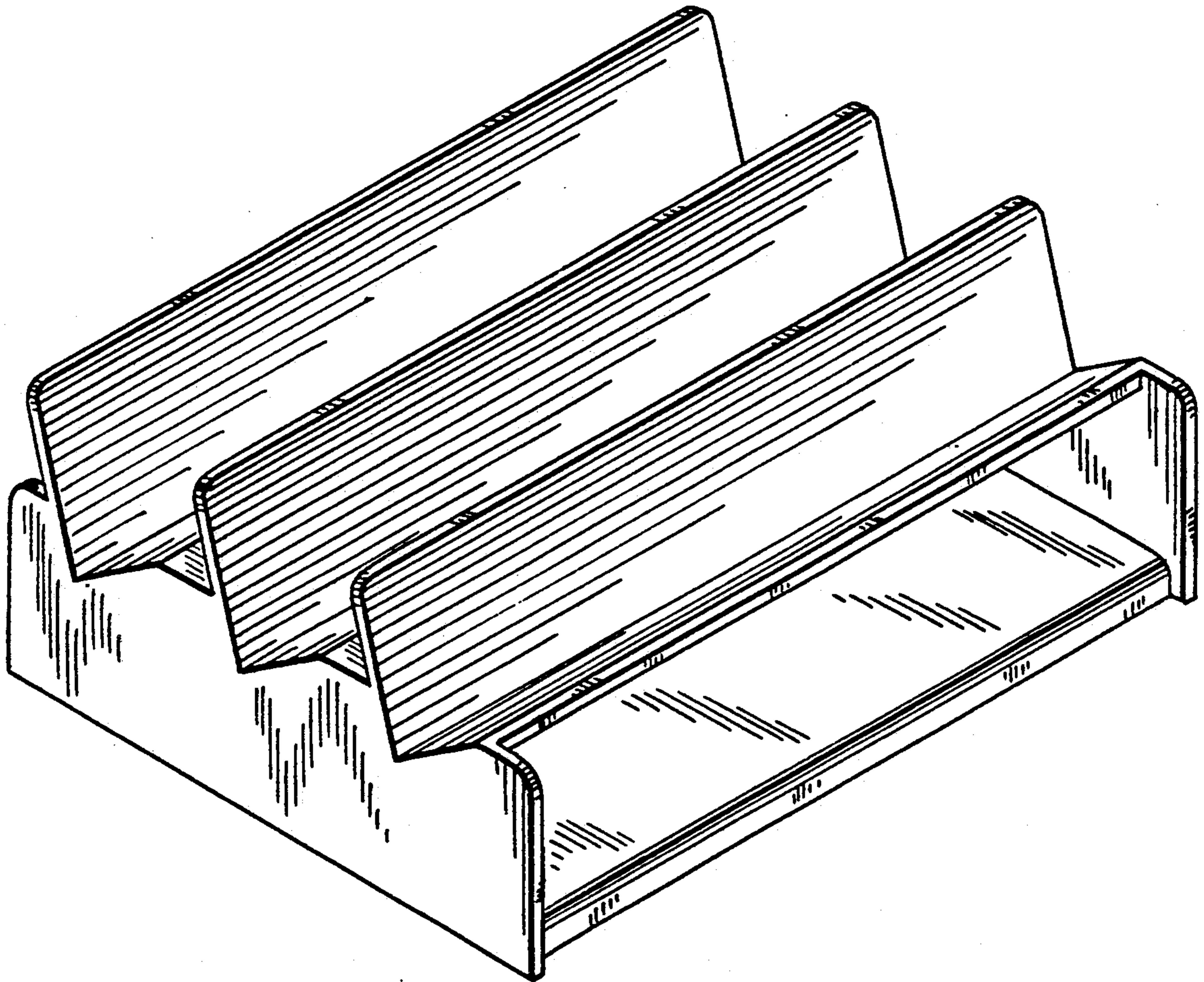


FIG. 1

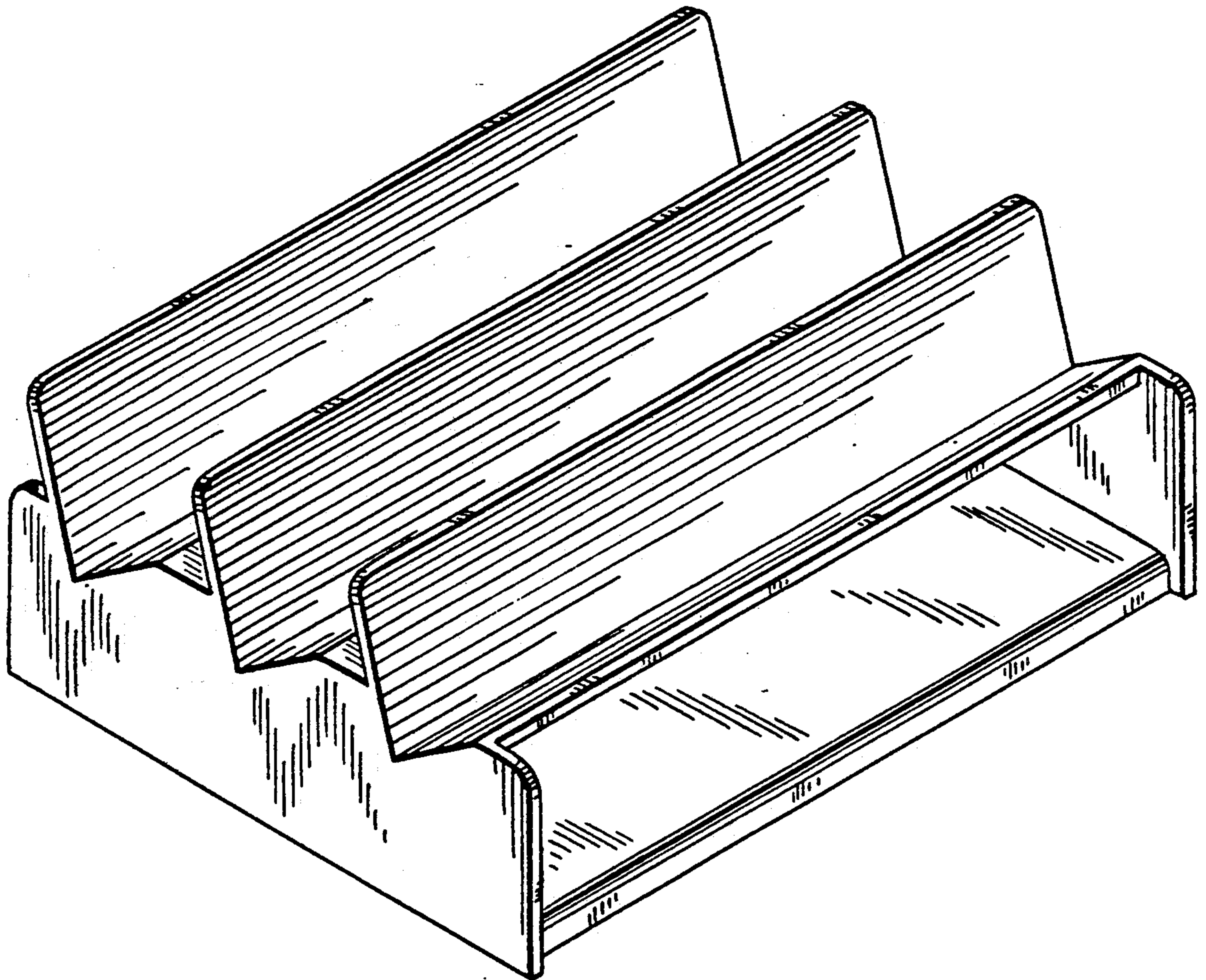


FIG. 2

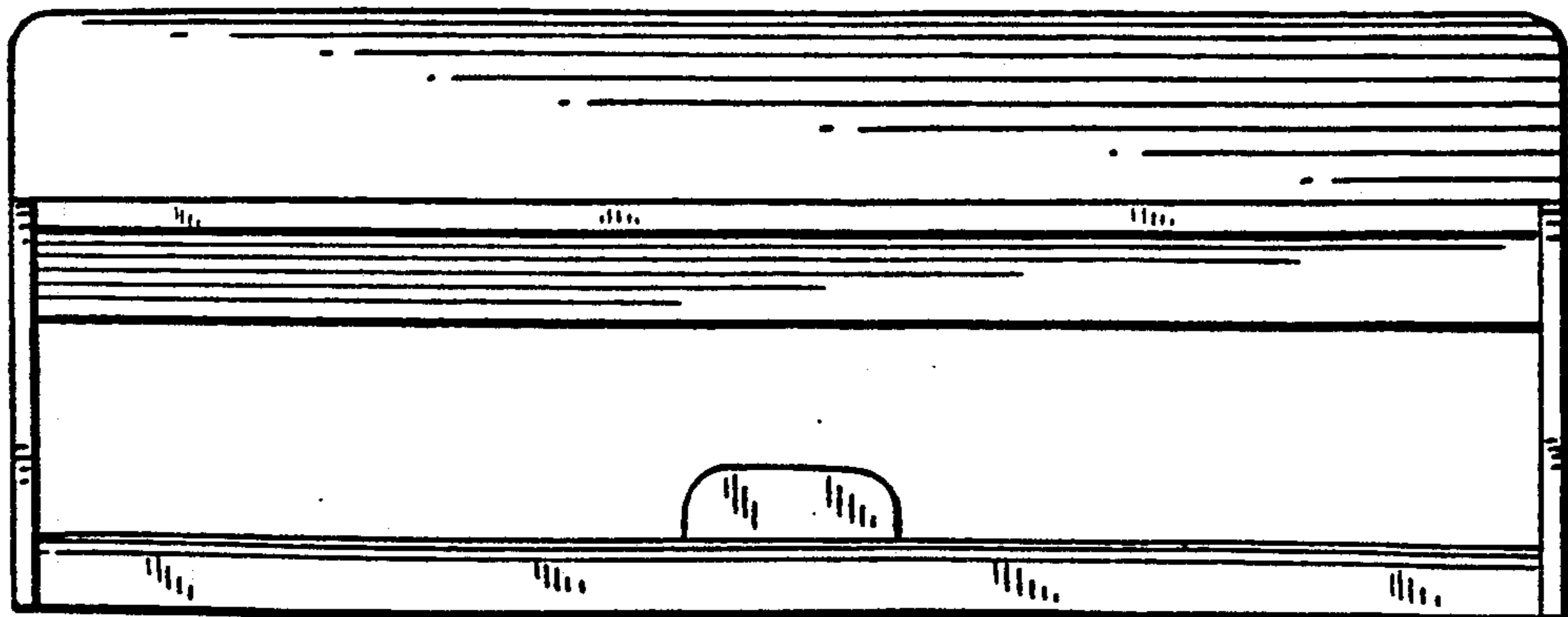


FIG. 3

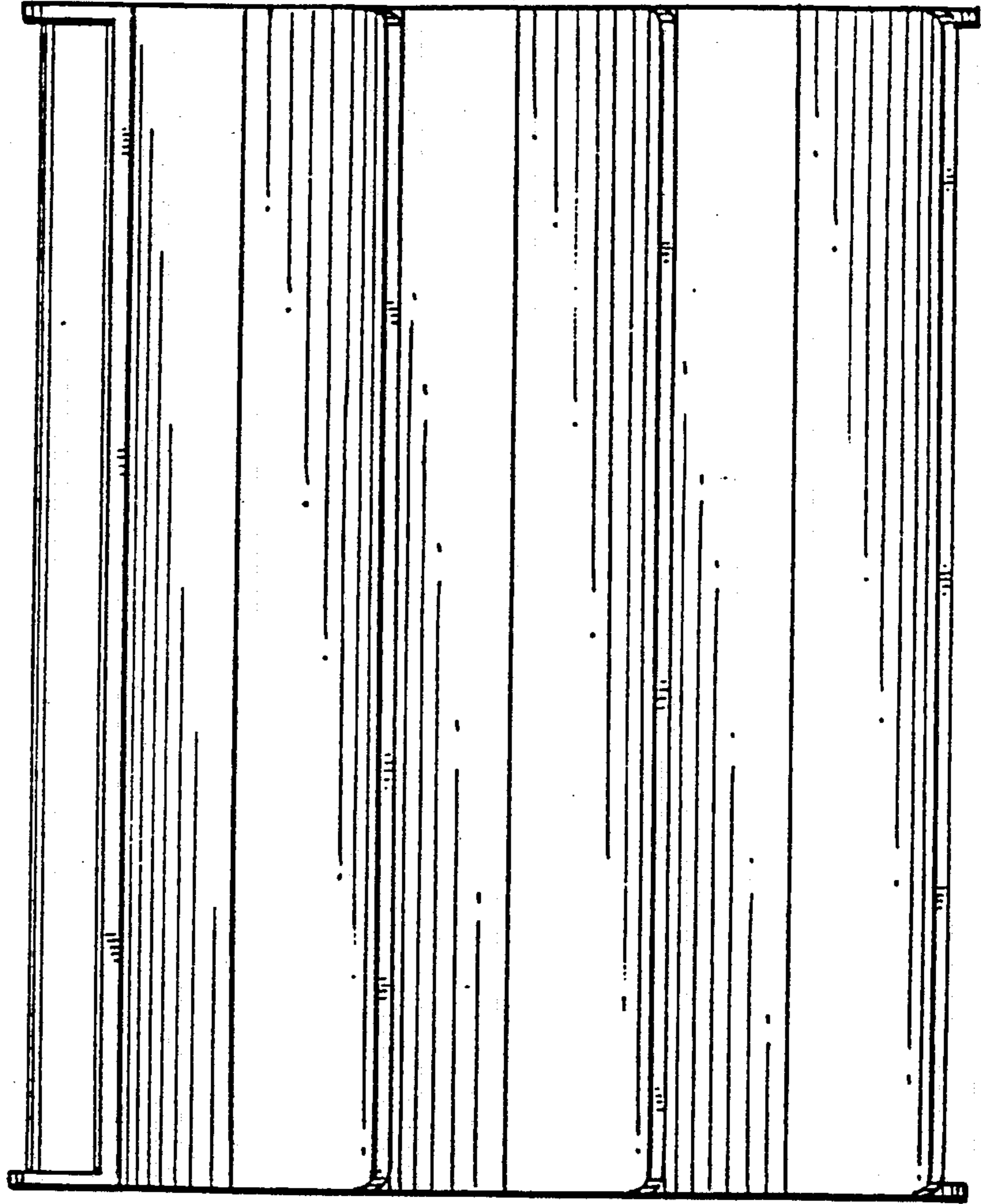


FIG. 4

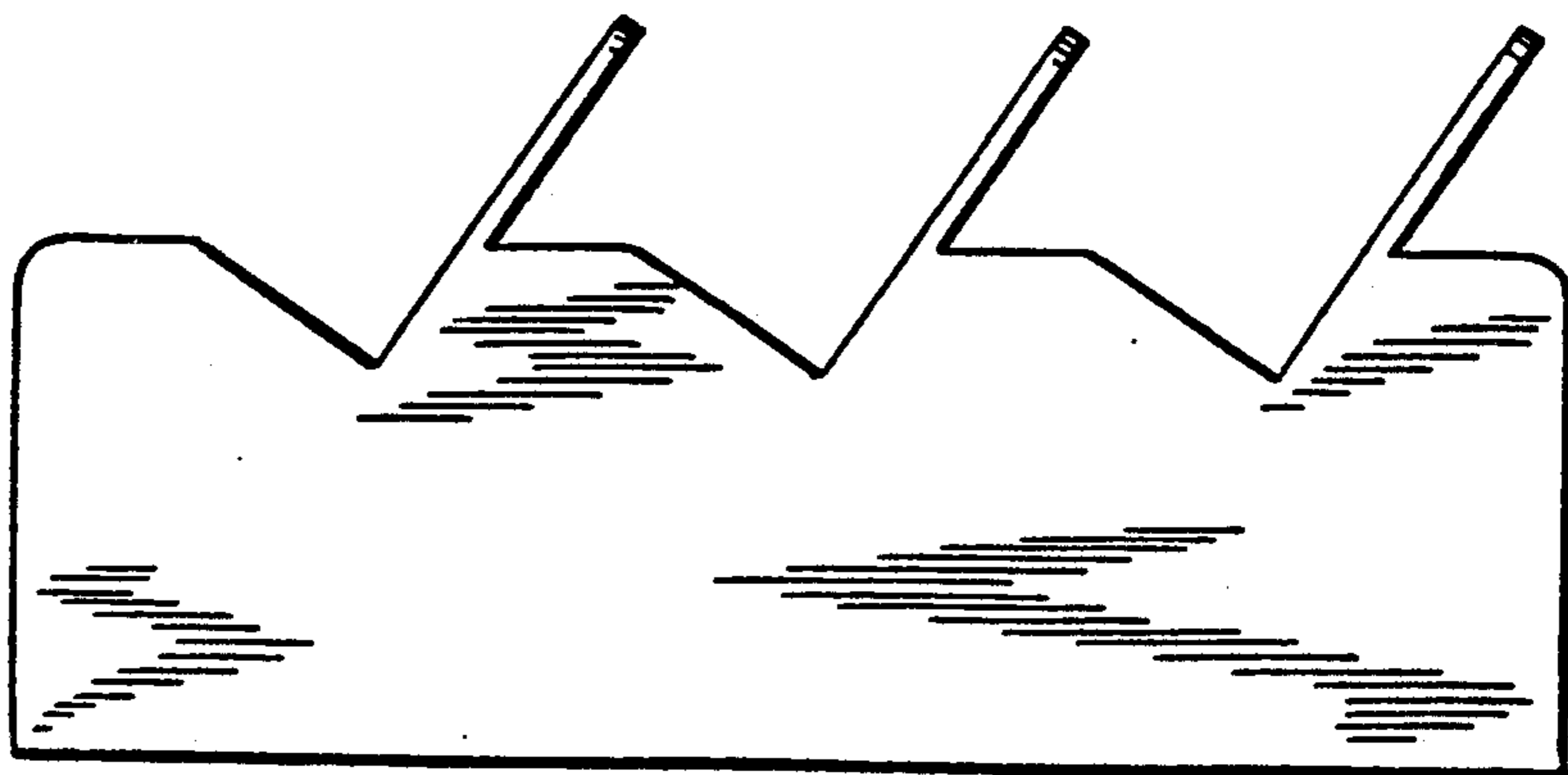


FIG. 5

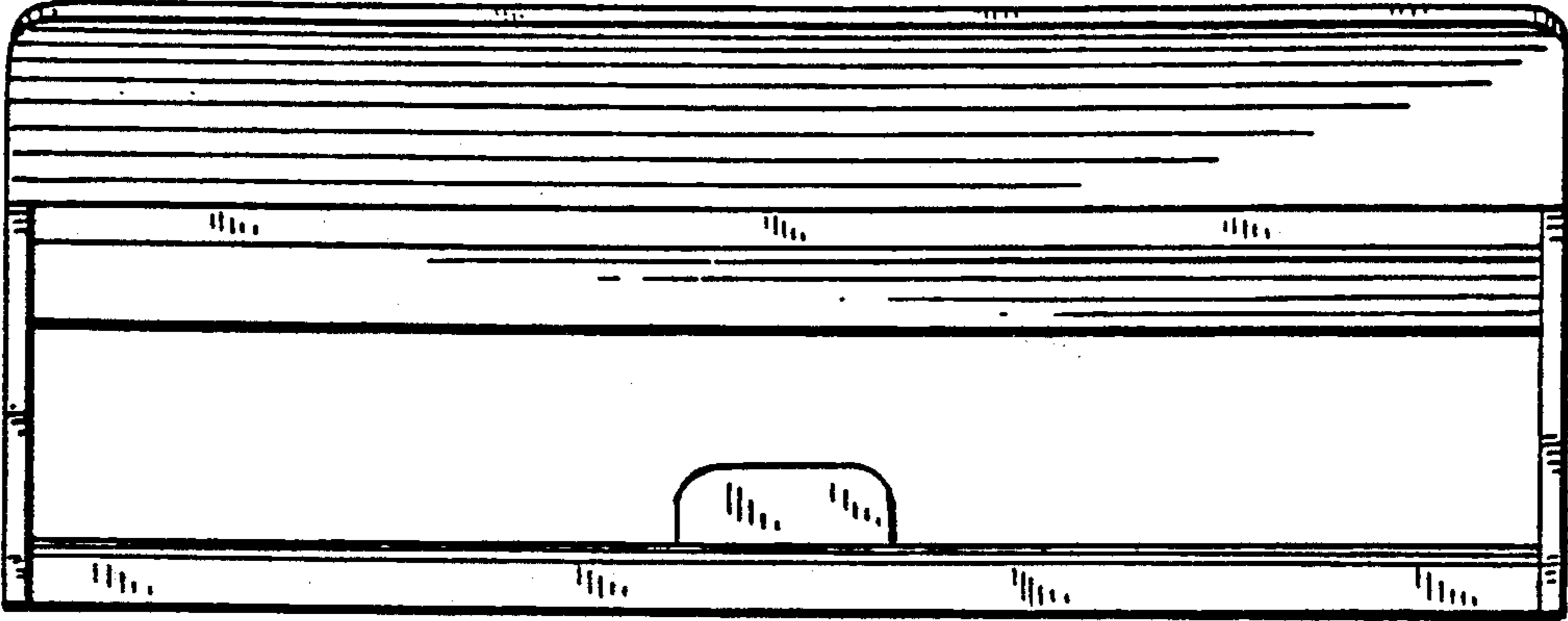


FIG. 6

