

# United States Patent [19]

Frinier

[11] Patent Number: Des. 316,336

[45] Date of Patent: \*\* Apr. 23, 1991

[54] CHAISE

[75] Inventor: Richard Frinier, Long Beach, Calif.

[73] Assignee: Brown Jordan Company, El Monte, Calif.

[\*\*] Term: 14 Years

[21] Appl. No.: 221,190

[22] Filed: Jul. 19, 1988

[52] U.S. Cl. .... D6/361; D6/374

[58] Field of Search ..... D6/361, 373, 379, 374

[56] References Cited

## U.S. PATENT DOCUMENTS

D. 279,335	6/1985	Frinier et al. ....	D6/361
D. 282,417	2/1986	Murry .....	D6/373
D. 285,628	9/1986	Zola .....	D6/361
D. 291,749	9/1987	Conn .....	D6/361
D. 295,581	5/1988	Mallin .....	D6/361

D. 295,582 5/1988 Conn ..... D6/361

D. 295,586 5/1988 Conn ..... D6/373

D. 297,288 8/1988 Raney ..... D6/361

D. 299,685 2/1989 Frinier ..... D6/361

Primary Examiner—Nelson C. Holtje

Assistant Examiner—Ann Hunt

Attorney, Agent, or Firm—Christie, Parker & Hale

[57] CLAIM

The ornamental design for a chaise, as shown and described.

## DESCRIPTION

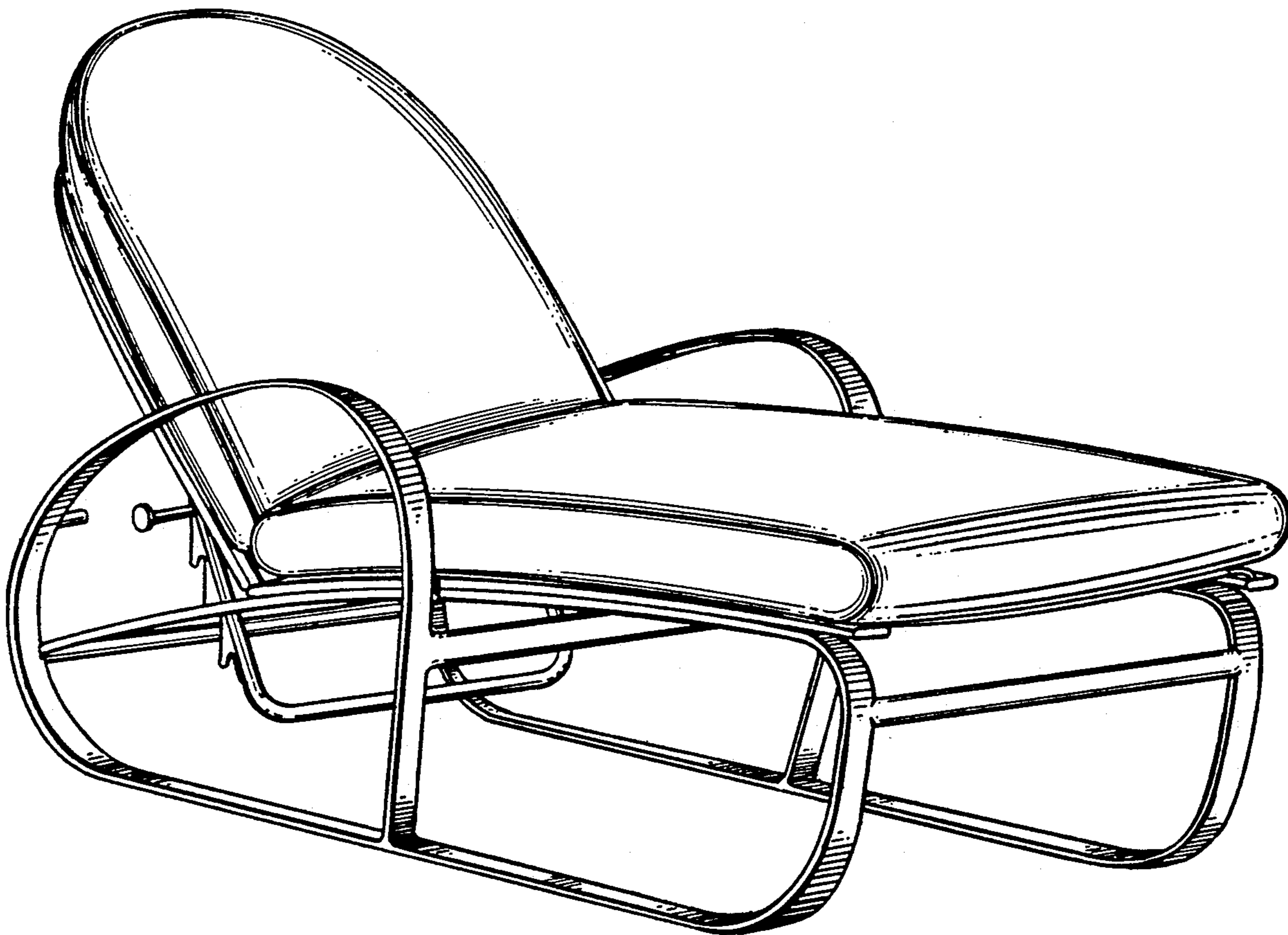
FIG. 1 is a perspective view of the chaise showing my new design,

FIG. 2 is a side elevational view, the opposite side view being a mirror image thereof,

FIG. 3 is a front elevational view,

FIG. 4 is a rear elevational view; and

FIG. 5 is a top plan view thereof.



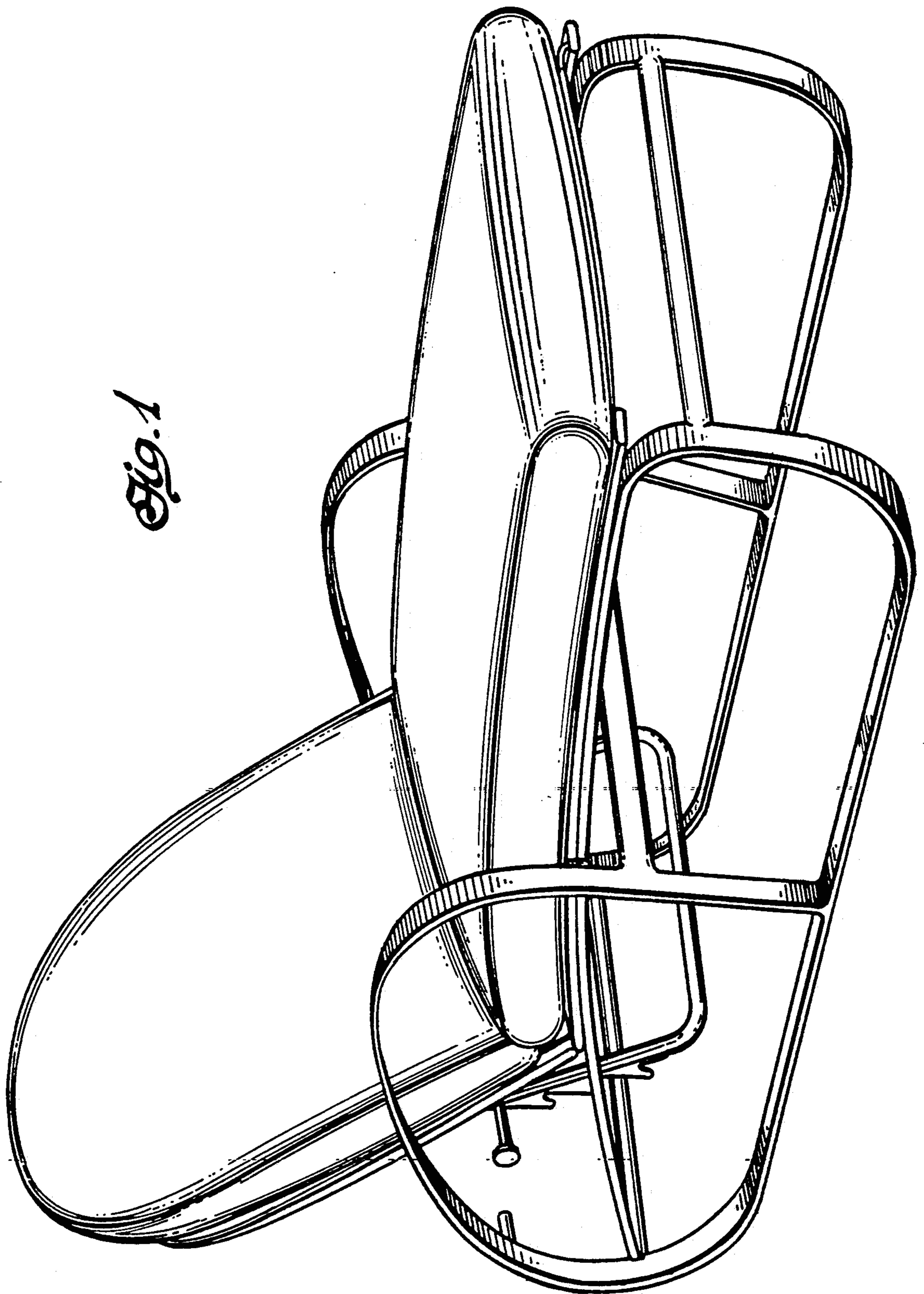
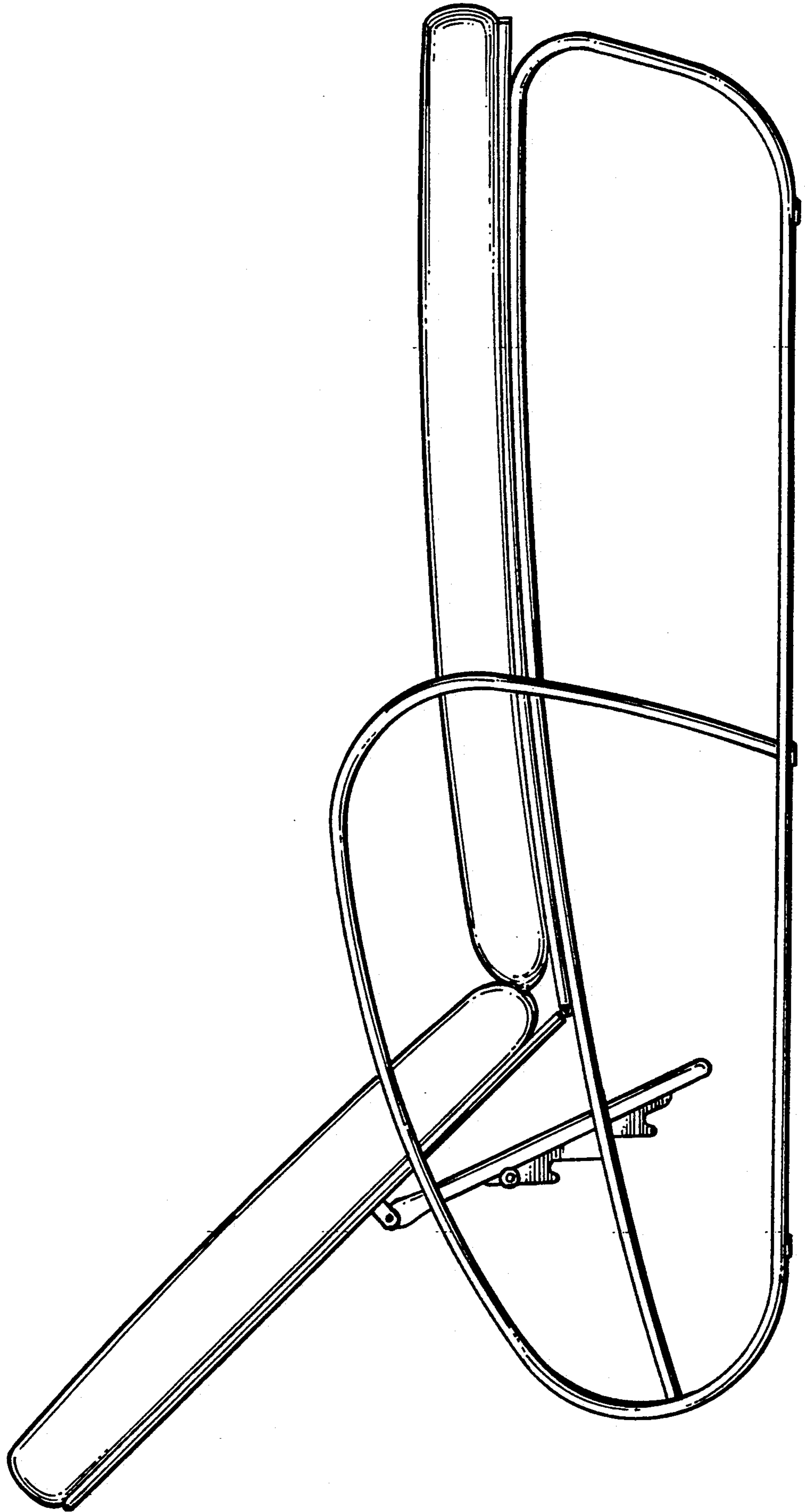


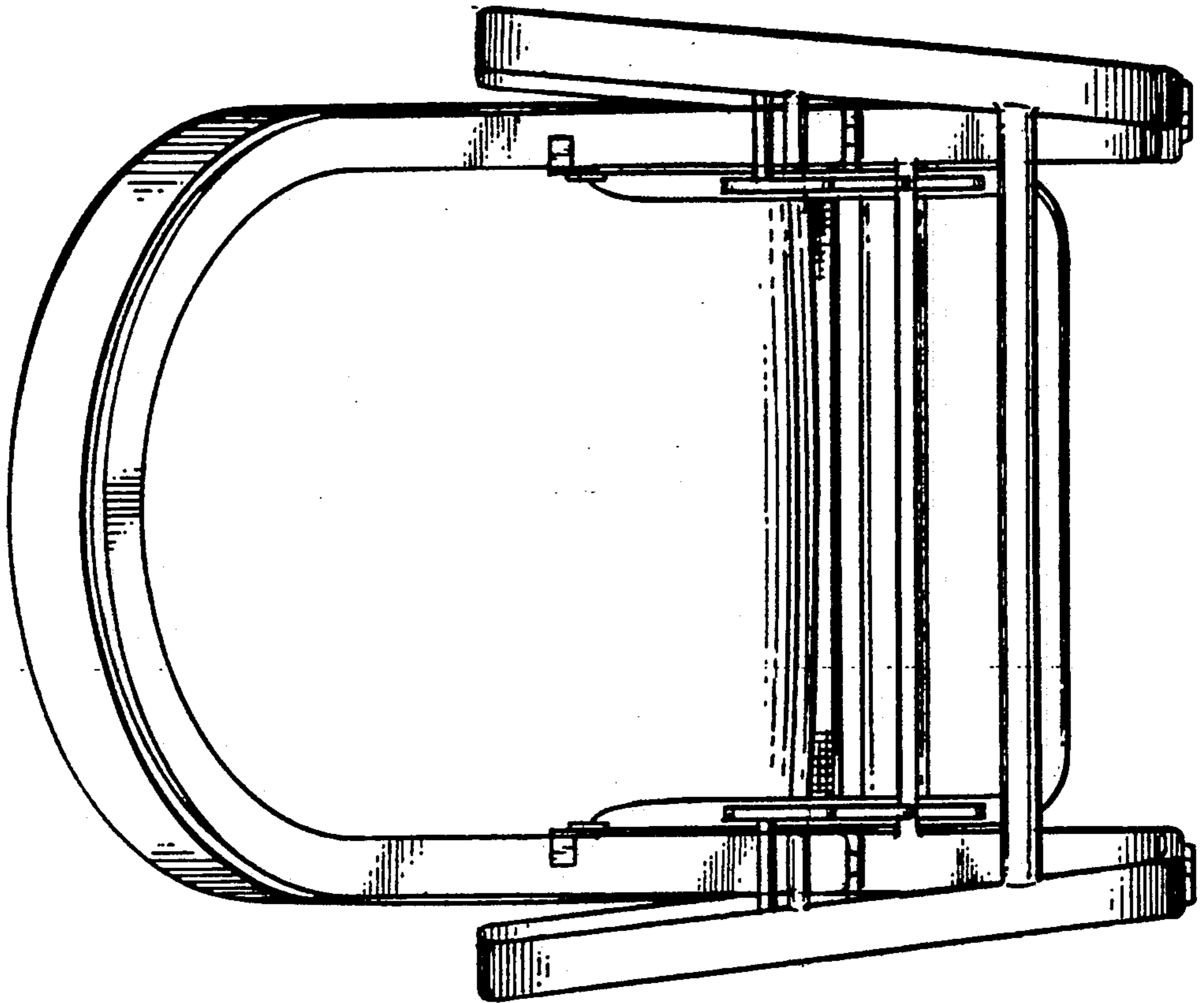
Fig. 1

FIG. 2

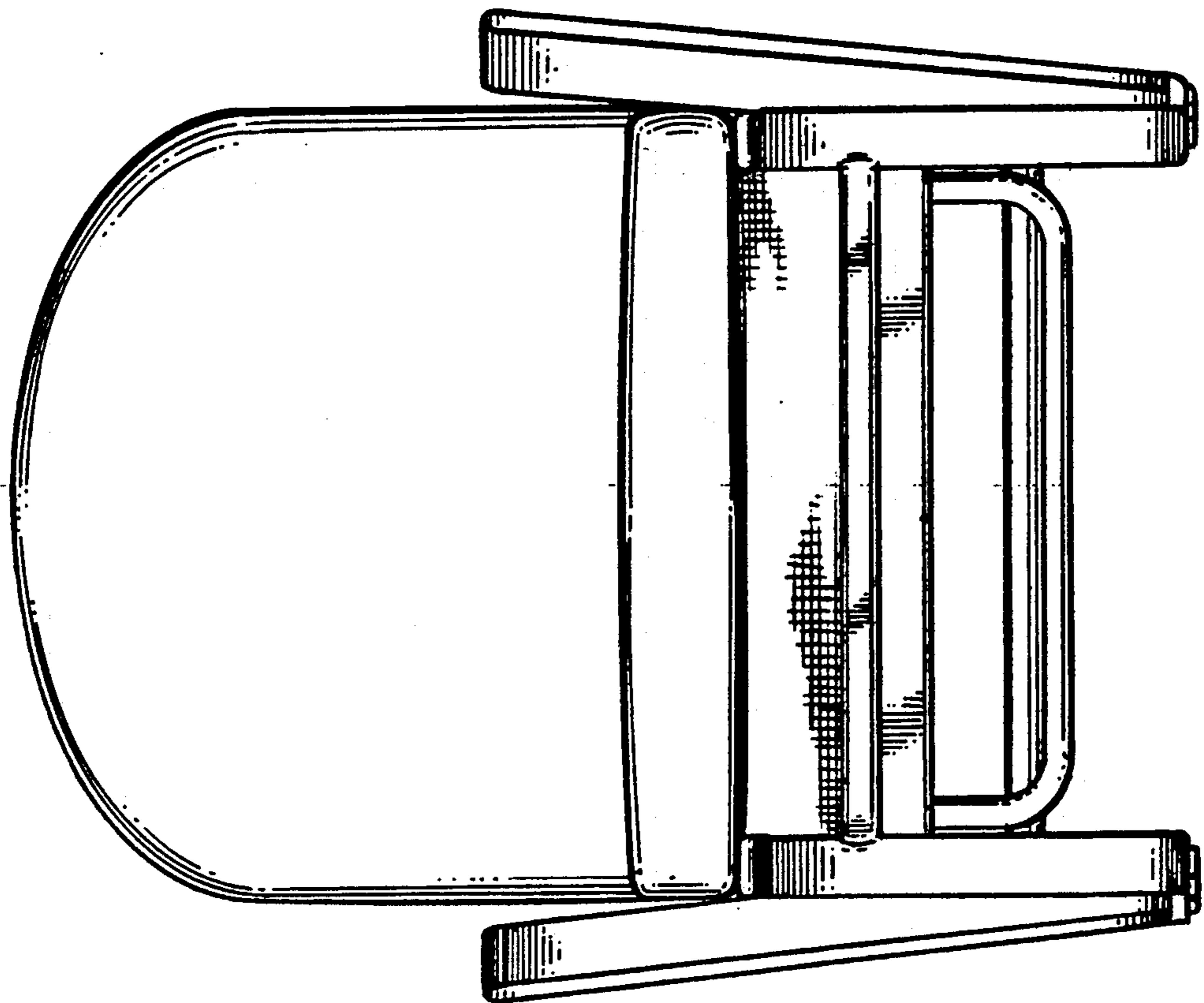




*Fig. 4*



*Fig. 3*



*Fig. 5*

