

[54] SOCKET ORGANIZER

[76] Inventor: Peter Vicente, 3445 Cleveland St. NE., Minneapolis, Minn. 55418

[**] Term: 14 Years

[21] Appl. No.: 194,737

[22] Filed: May 17, 1988

[52] U.S. Cl. D3/74; D3/30.1

[58] Field of Search D3/74, 30, 139, 73, D3/48; D9/420; D99/28; D28/38; 190/111; 43/54.1; 312/250; 206/375, 378, 376, 373; D8/71

[56] References Cited

U.S. PATENT DOCUMENTS

- D. 117,437 10/1939 Holt et al. D9/420
- D. 167,868 9/1952 Selikoff et al. D3/74
- D. 272,663 2/1984 Forsberg D28/38
- D. 281,630 12/1985 Spierto D3/39
- 890,017 6/1908 Buckle 43/54.1

- 2,230,667 2/1941 Nelson 206/373
- 2,819,938 1/1958 Zerver 312/250
- 3,352,391 11/1967 Vaughan 190/111
- 4,321,998 3/1982 Van de Walker et al. D3/30.1 X

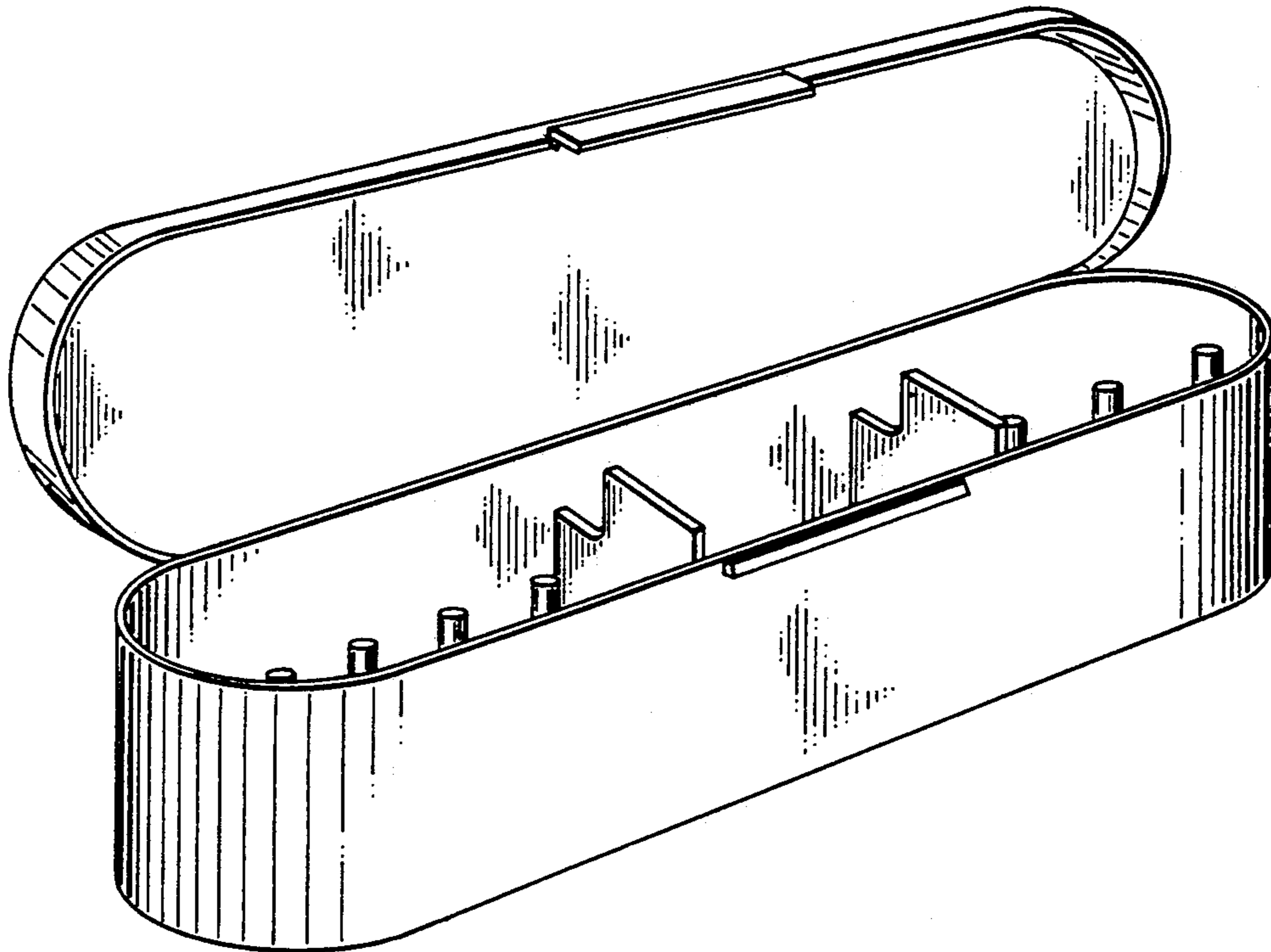
Primary Examiner—Louis S. Zarfaz
Assistant Examiner—M. N. Pandozi
Attorney, Agent, or Firm—Steven E. Kahm

[57] CLAIM

An ornamental design for a socket organizer, as shown and described.

DESCRIPTION

FIG. 1 is a perspective view of a socket organizer showing my new design;
FIG. 2 is a front elevational view thereof;
FIG. 3 is a left side elevational view, the right side being a mirror image thereof;
FIG. 4 is a top plan view thereof, with the lid open;
FIG. 5 is a top plan view thereof, with the lid closed;
FIG. 6 is a bottom plan view thereof.



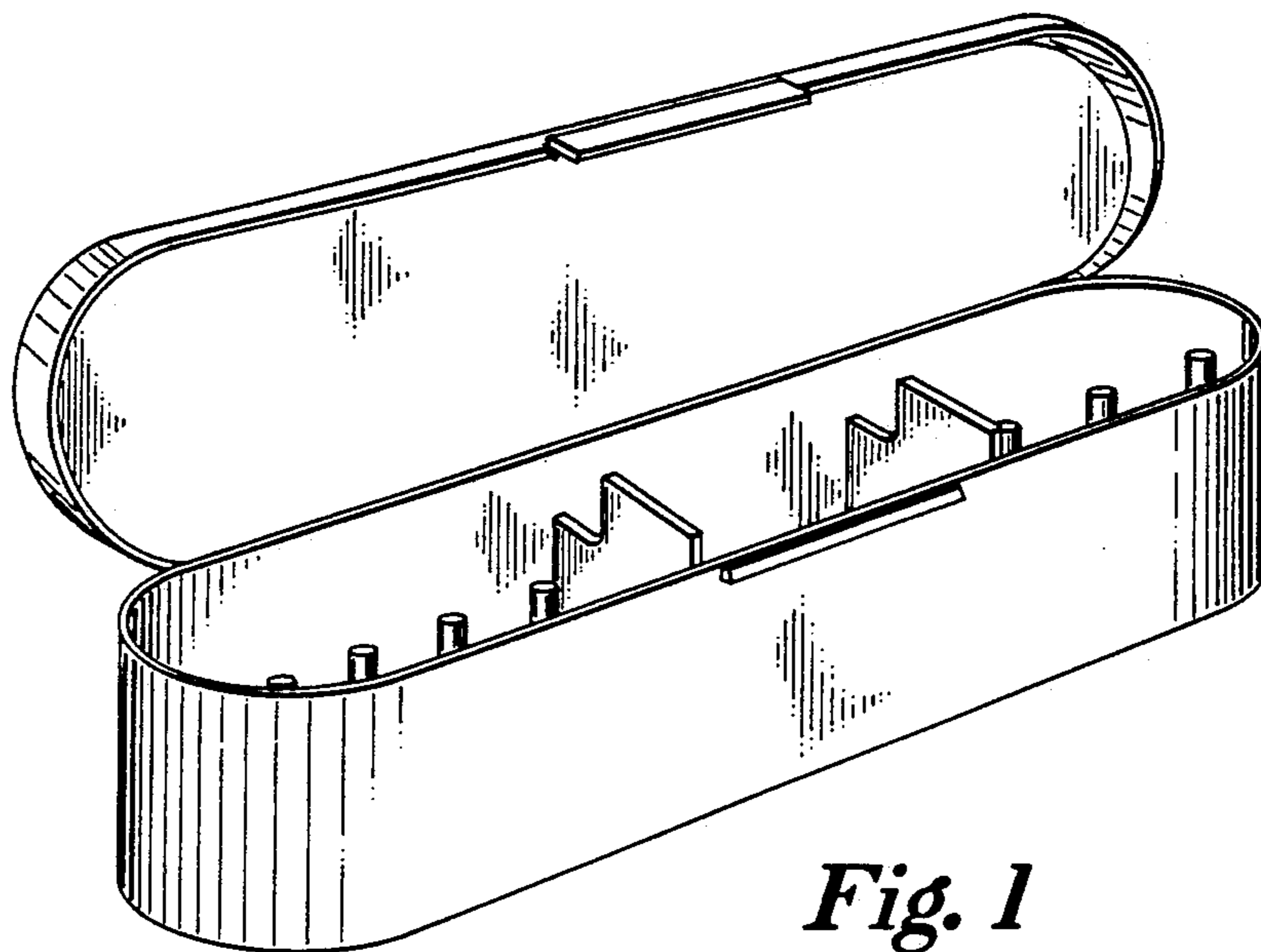


Fig. 1

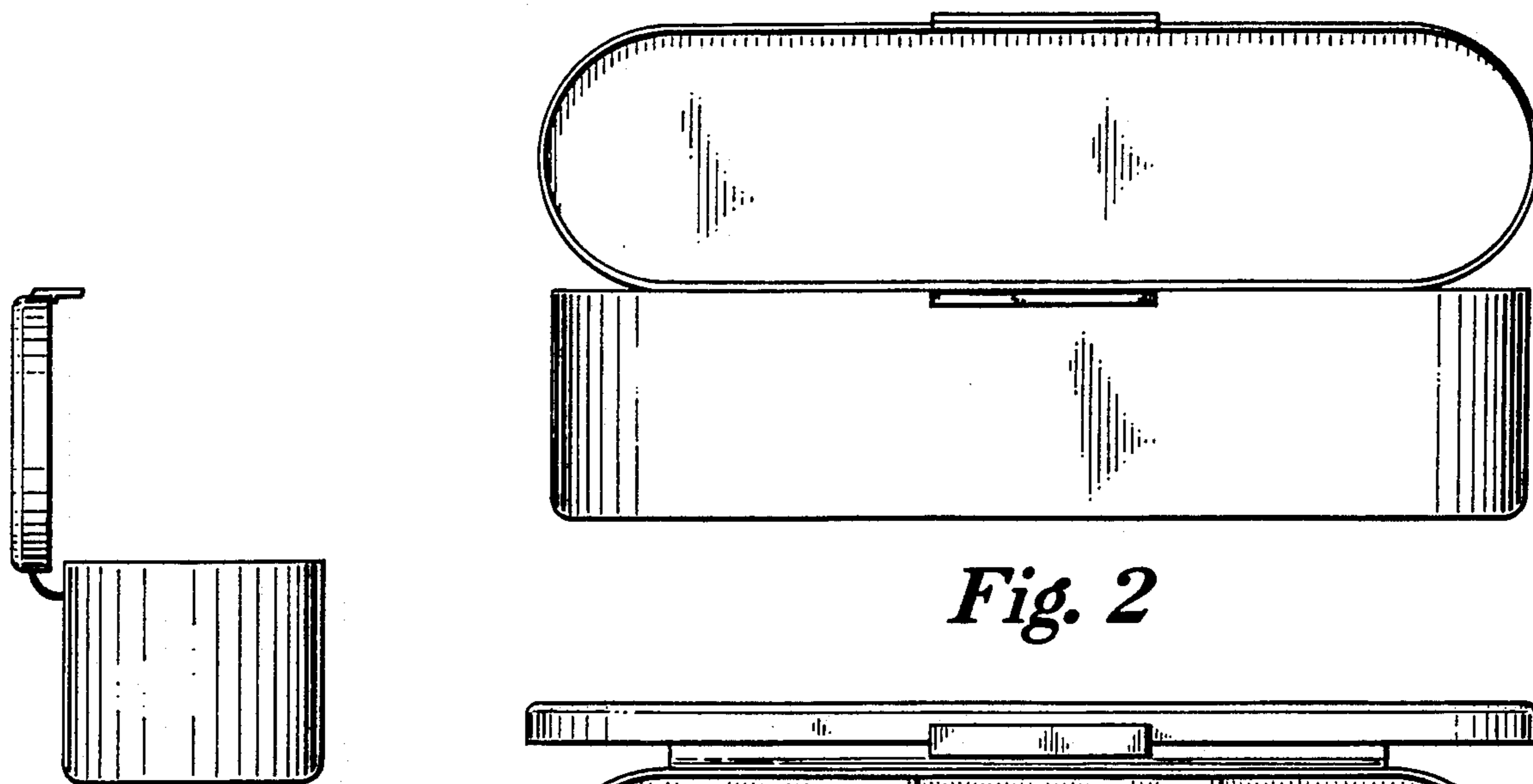


Fig. 2

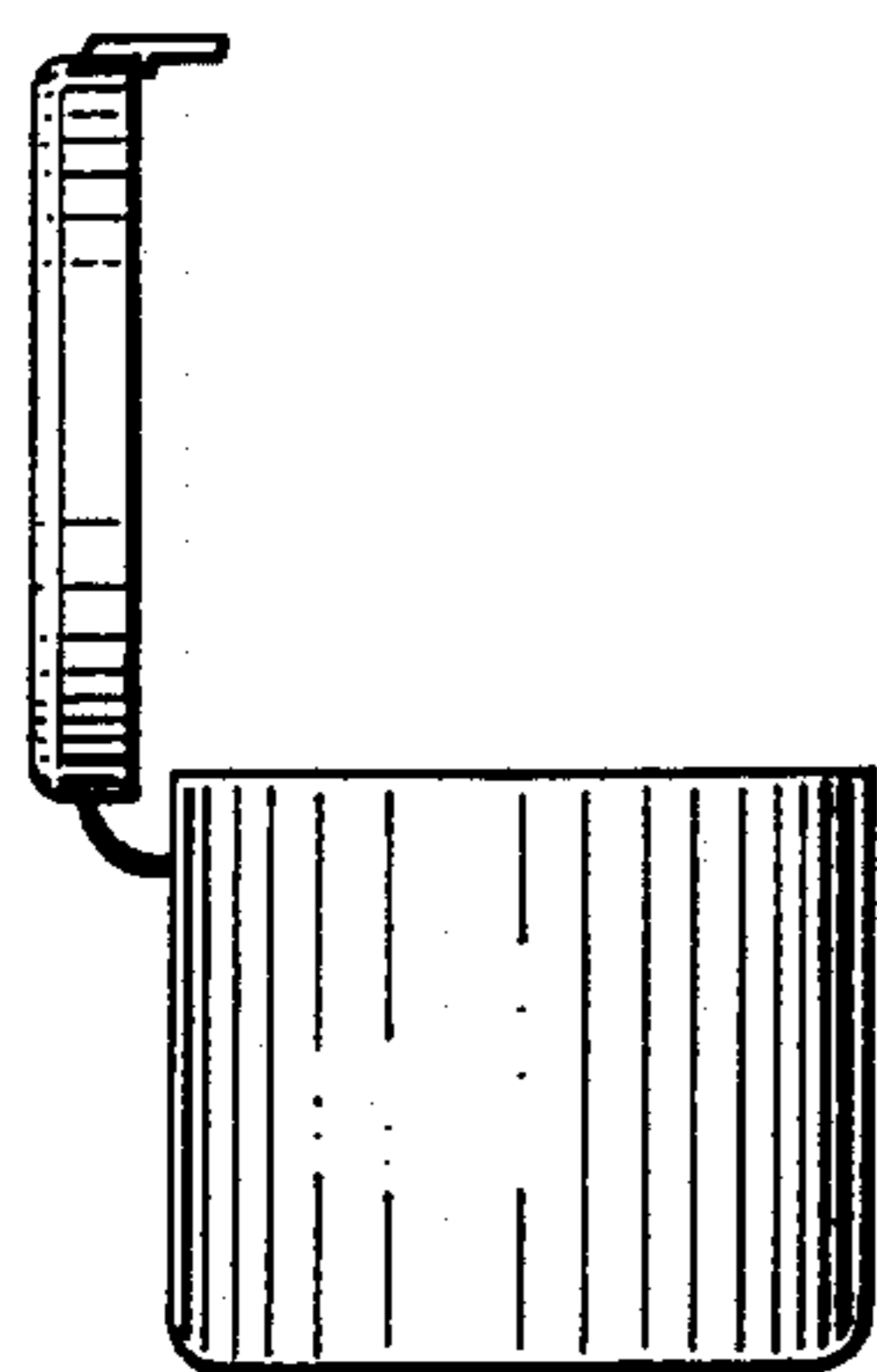


Fig. 3

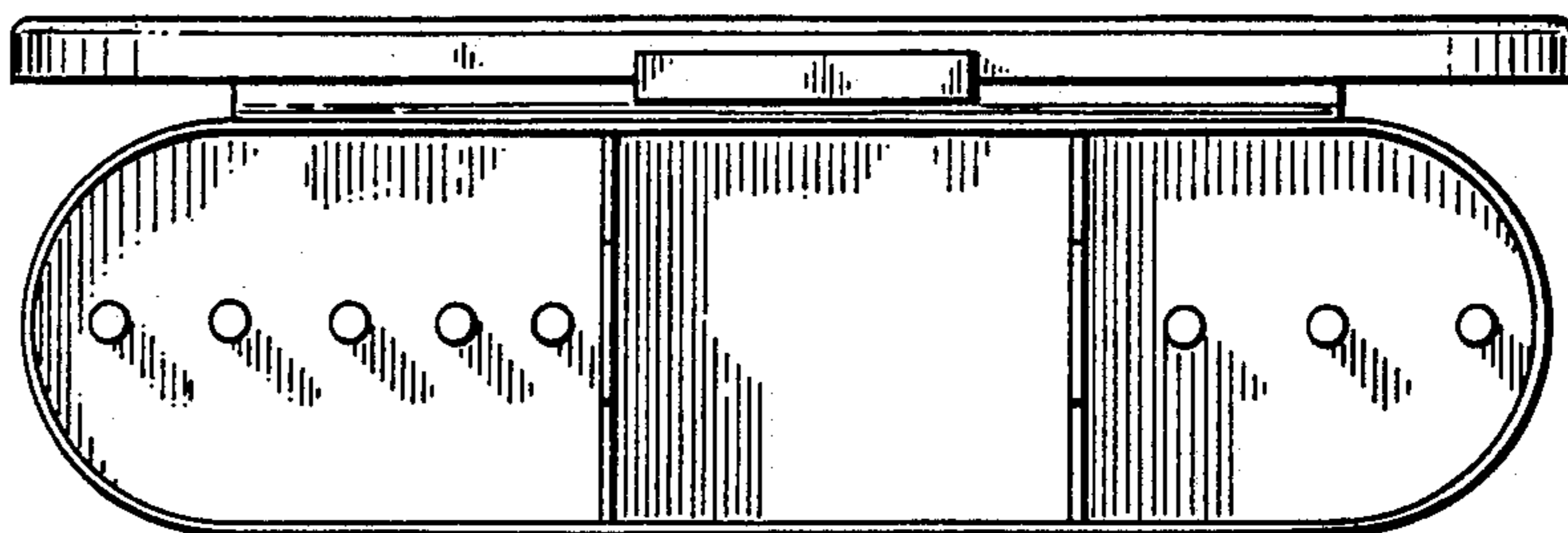


Fig. 4

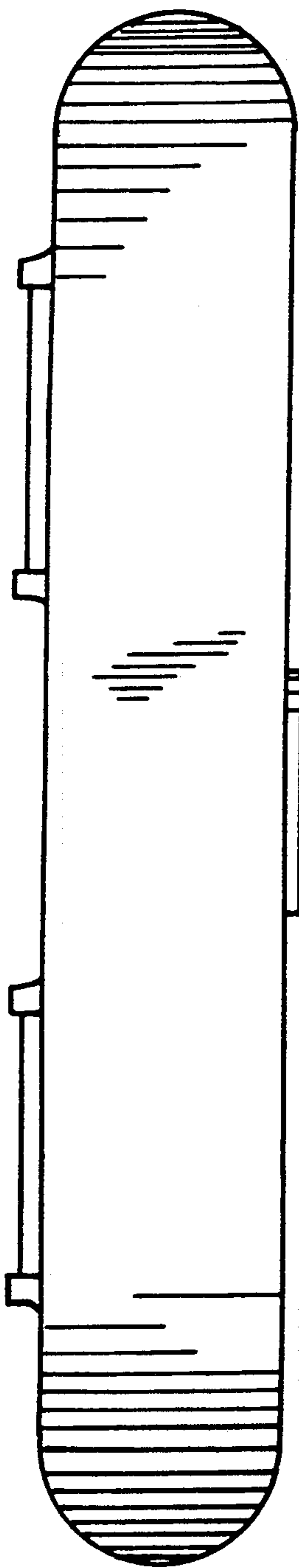


Fig. 5

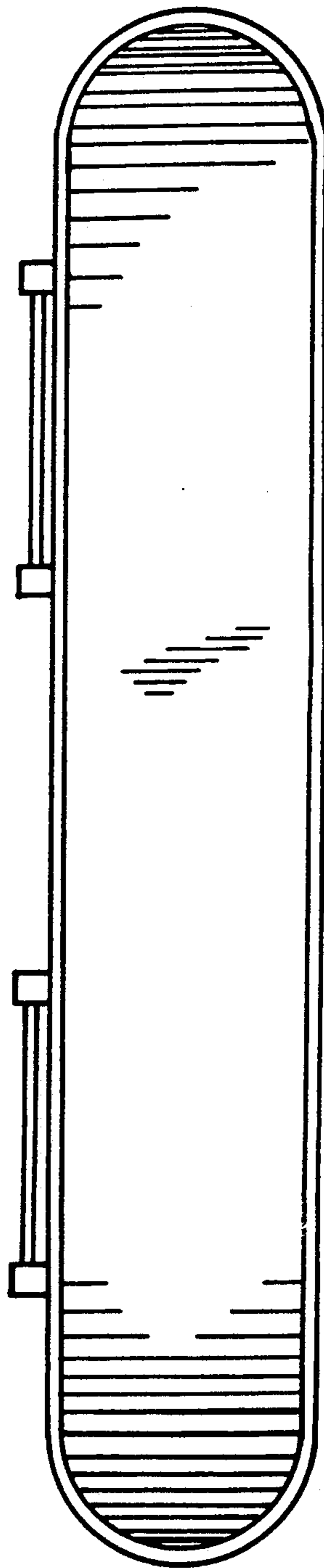


Fig. 6