

[54] **SOCKET ORGANIZER WITH A HANDLE**
 [76] Inventor: Peter Vicente, 3445 Cleveland St. NE., Minneapolis, Minn. 55418
 [**] Term: 14 Years
 [21] Appl. No.: 194,736
 [22] Filed: May 17, 1988
 [52] U.S. Cl. D3/74; D3/30.1
 [58] Field of Search D3/74, 30.1, 73, 39; D9/420; D99/28; D28/38; 190/111; 43/54.1; 206/373, 375, 378, 376; 312/250; D8/71

2,032,331 2/1936 Rueb 206/16
 2,230,667 2/1941 Nelson 206/373
 2,819,938 1/1958 Zerver 312/250
 3,352,391 11/1967 Vaughan 190/111
 4,321,998 3/1982 Van De Walker et al. ... D3/30.1 X

Primary Examiner—Louis S. Zarfaz
 Assistant Examiner—M. N. Pandozzi
 Attorney, Agent, or Firm—Steven E. Kahm

[57] CLAIM

The ornamental design for a socket organizer with a handle, as shown and described.

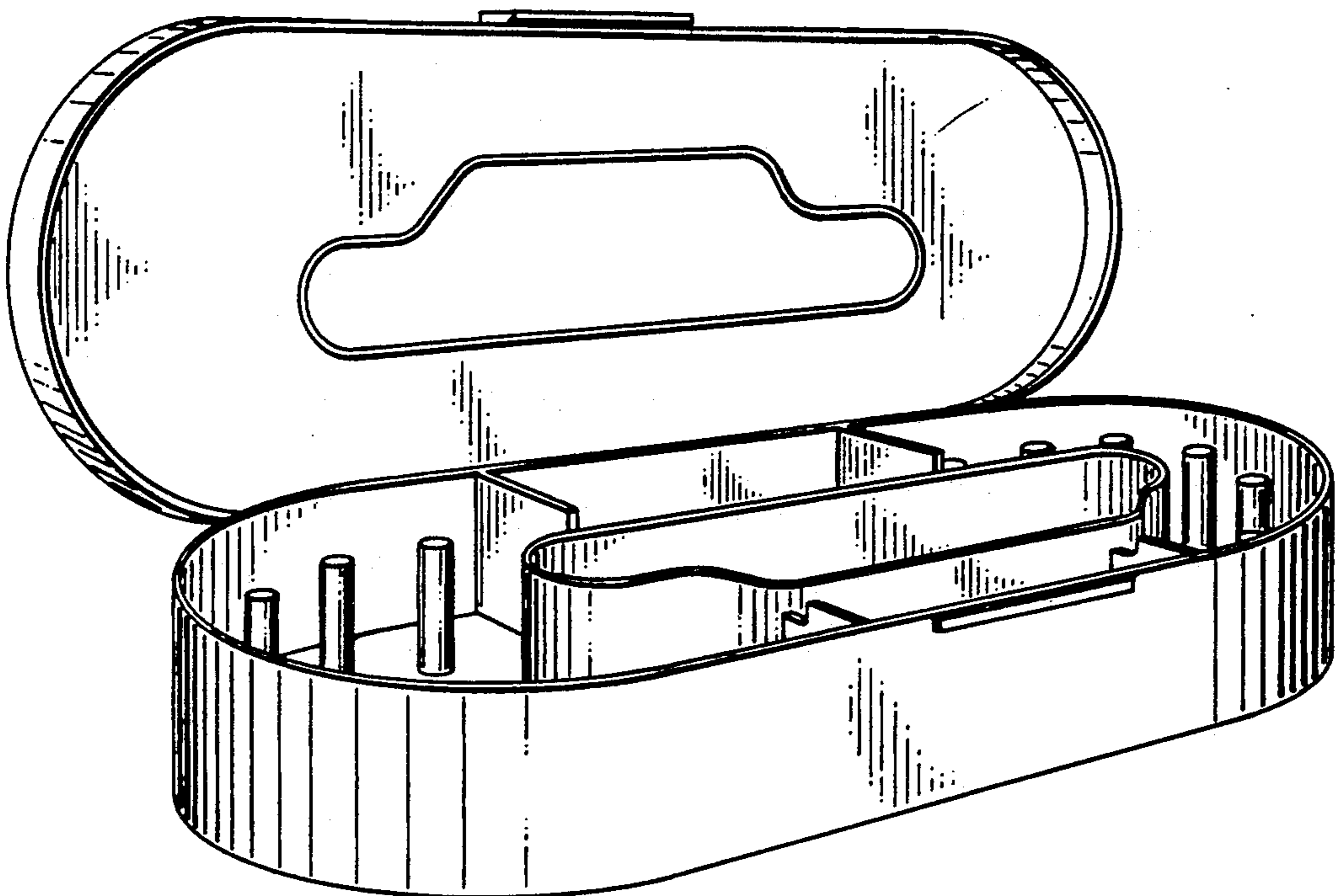
DESCRIPTION

FIG. 1 is a perspective view of a socket organizer with a handle showing my new design;
 FIG. 2 is a front elevational view thereof;
 FIG. 3 is a left side elevational view, the right side being a mirror image thereof;
 FIG. 4 is a top plan view thereof, with the lid open;
 FIG. 5 is a top plan view thereof, with the lid closed;
 FIG. 6 is a bottom plan view thereof.

[56] References Cited

U.S. PATENT DOCUMENTS

D. 117,437 10/1939 Holt et al. D9/420
 D. 167,868 9/1952 Selikoff et al. D3/74
 D. 256,425 8/1980 Hayes D8/71
 D. 272,663 2/1984 Forsberg D28/38
 D. 281,630 12/1985 Spierto D3/39
 890,017 6/1908 Buckle 43/54.1
 1,726,718 9/1929 Rice 206/16



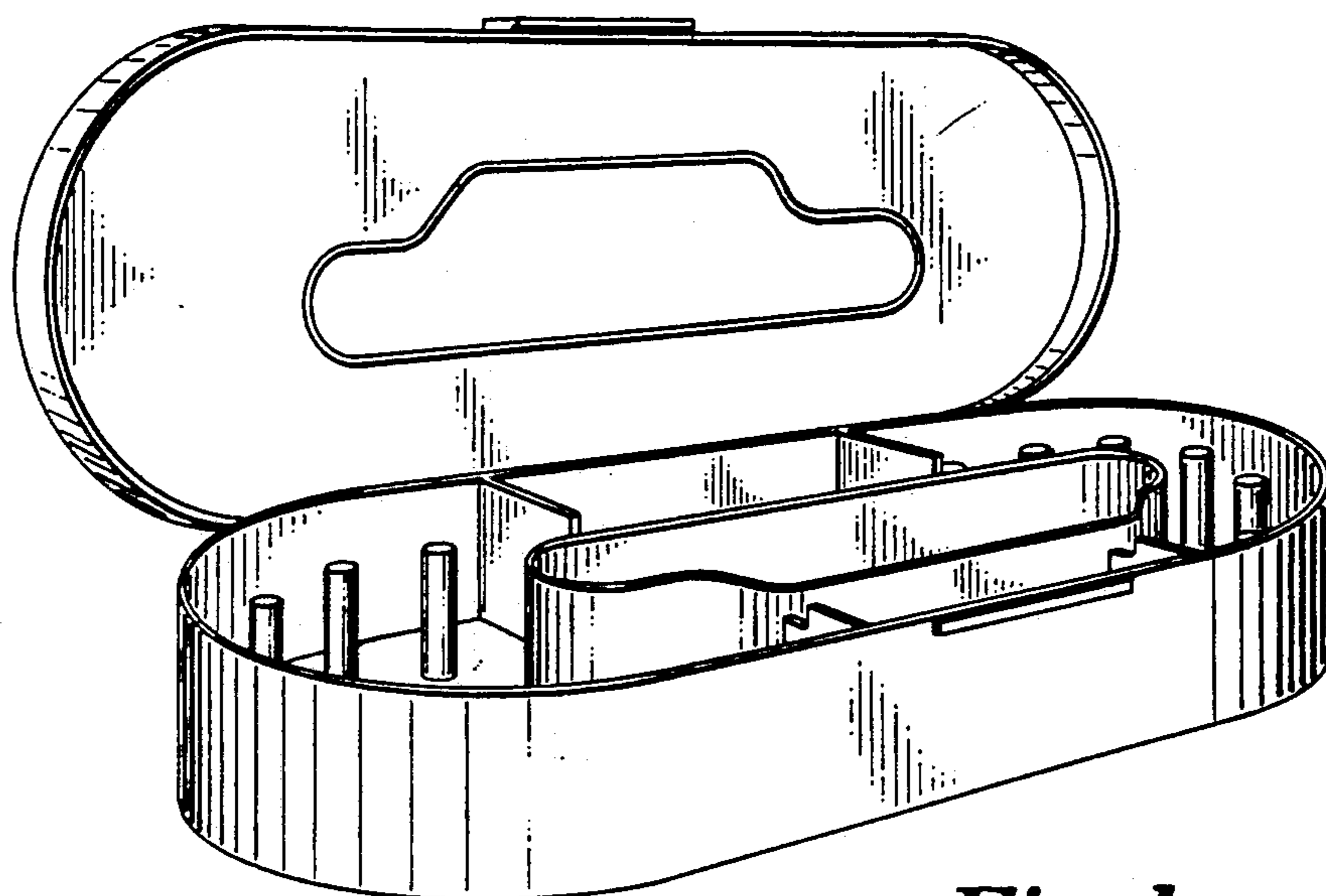


Fig. 1

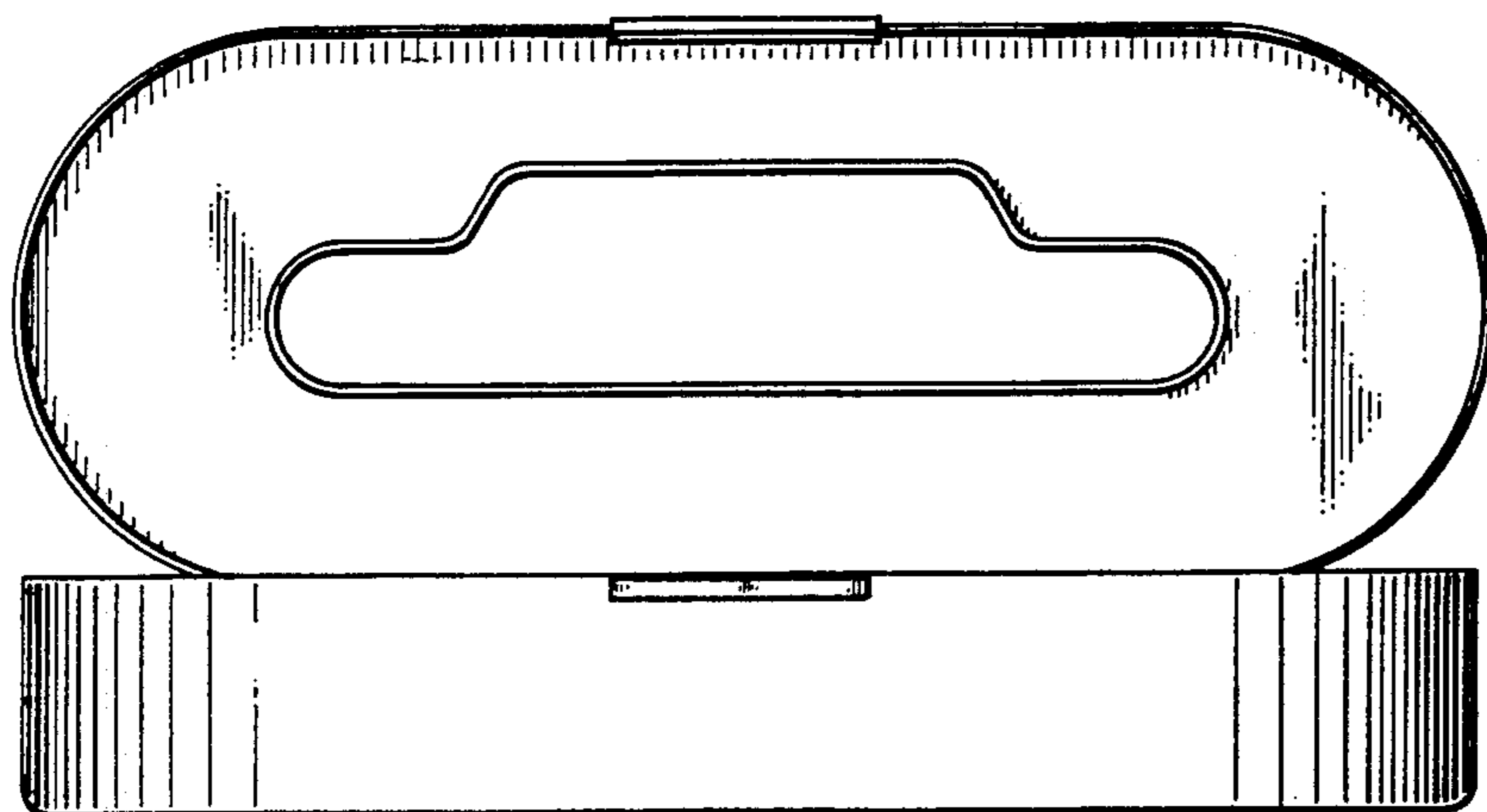


Fig. 2

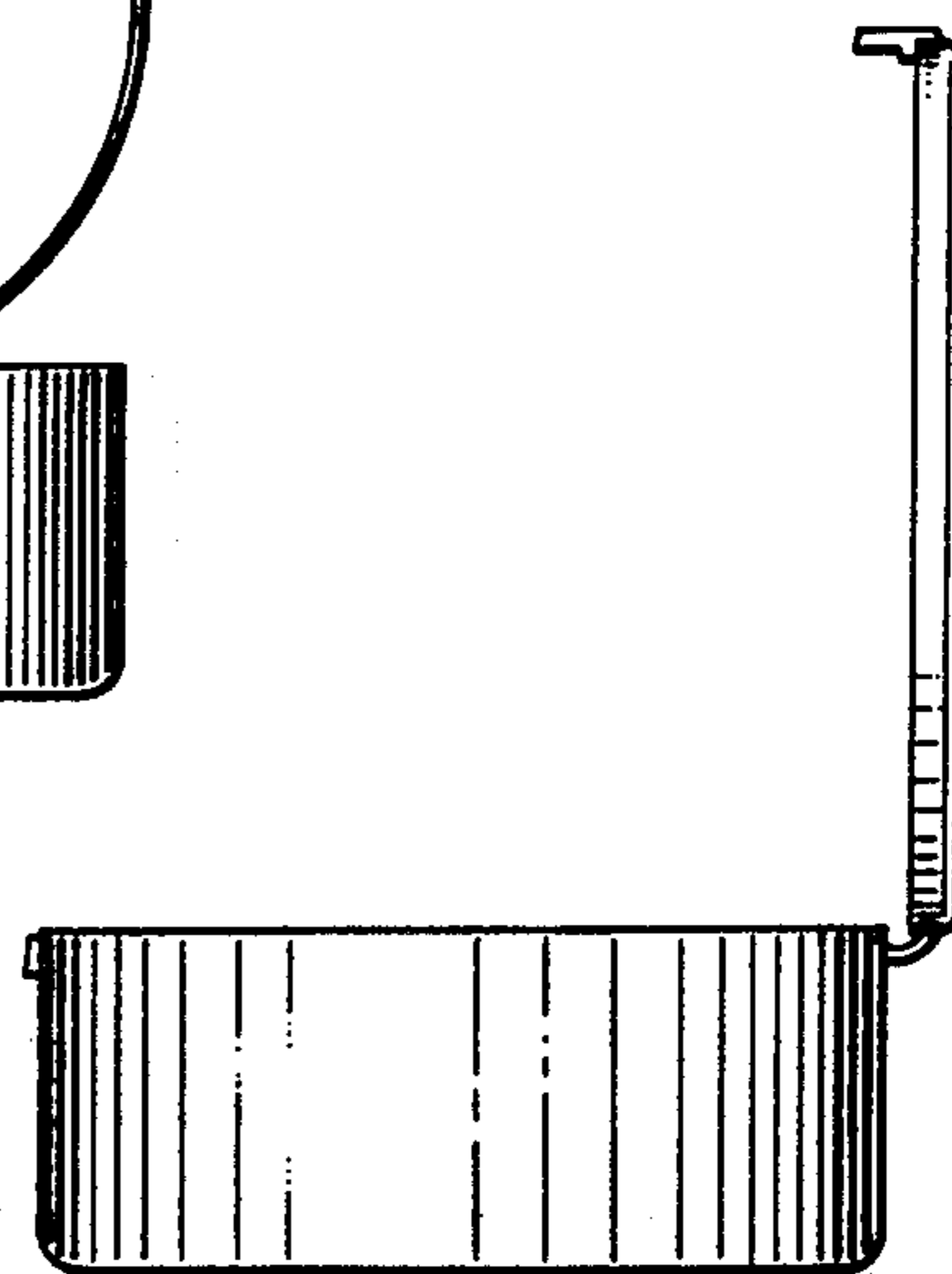


Fig. 3

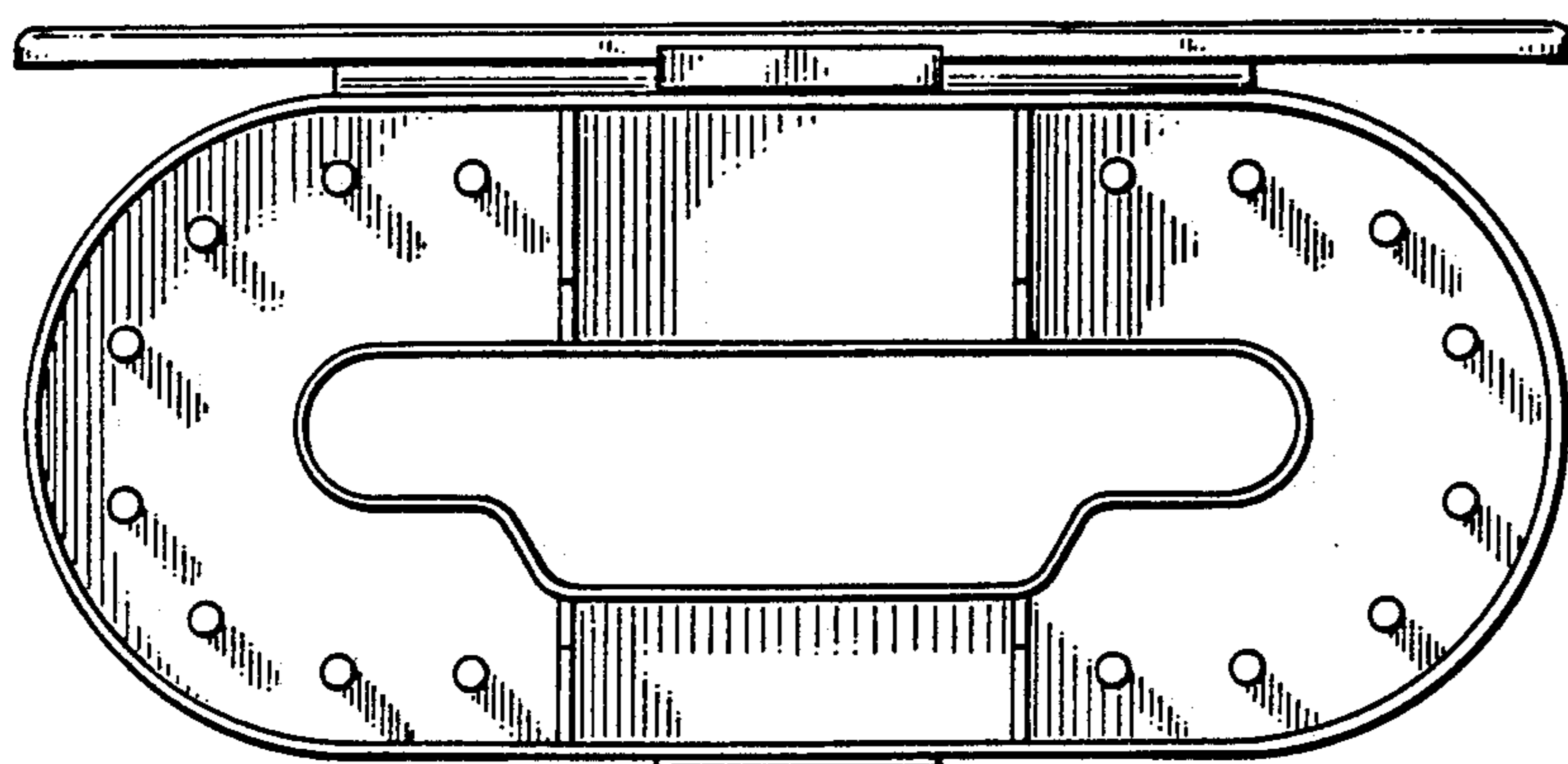


Fig. 4

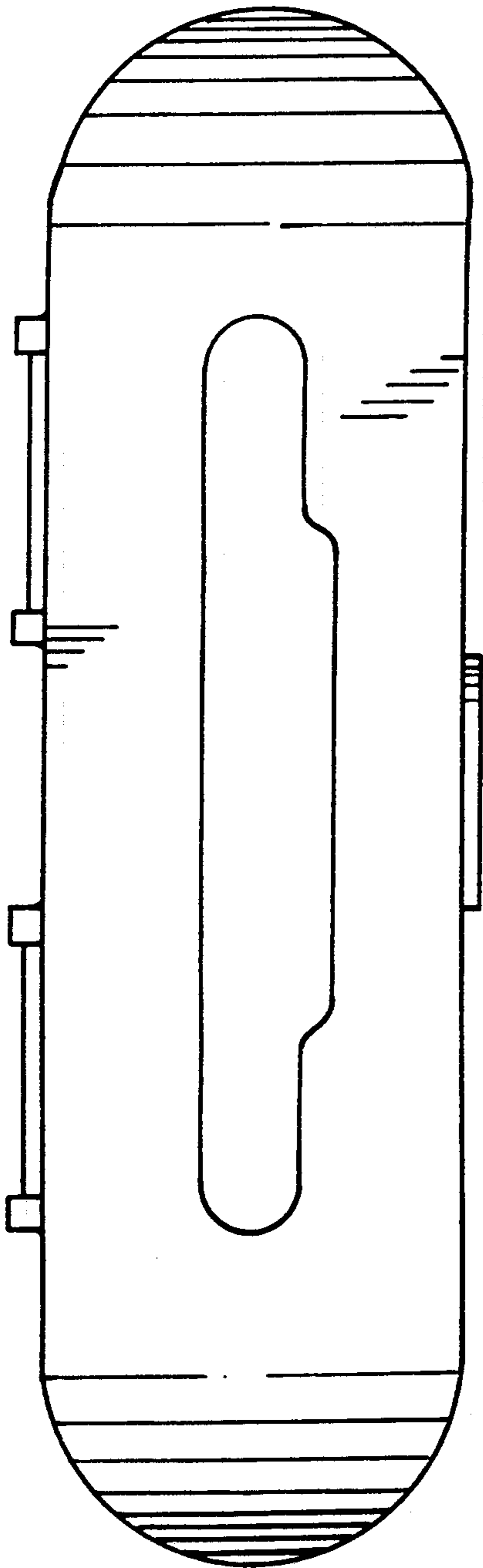


Fig. 5

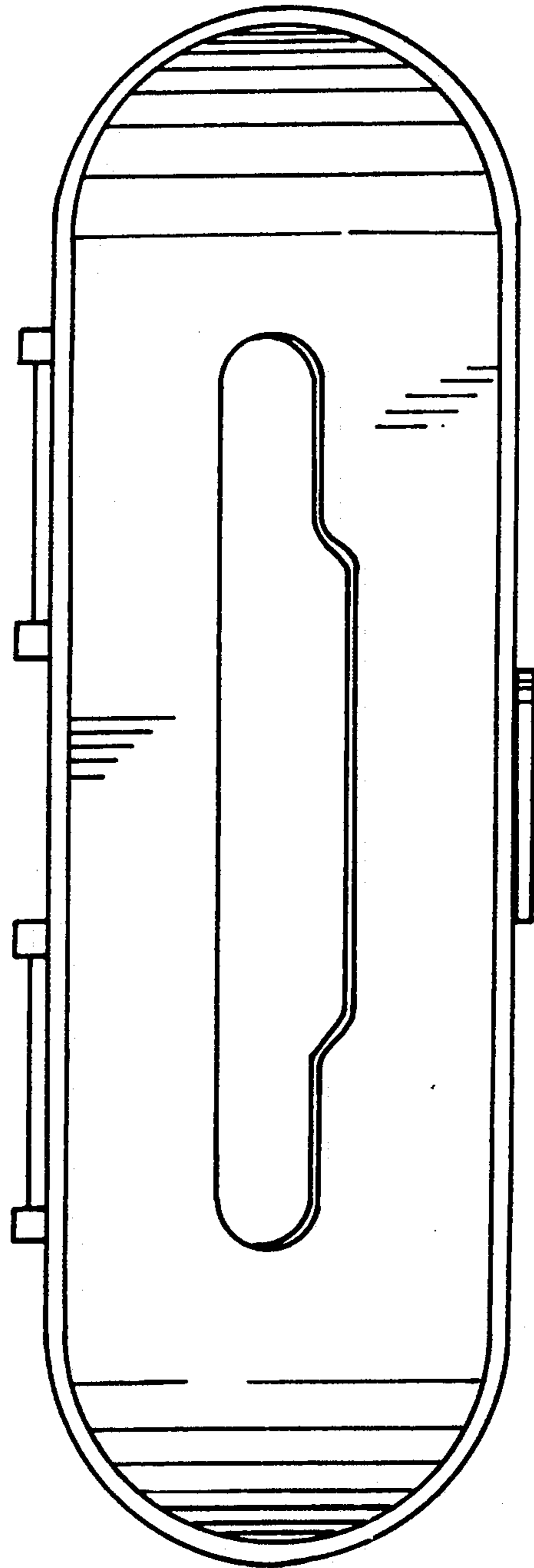


Fig. 6