

United States Patent [19]

Cheang

[11] Patent Number: Des. 316,318

[45] Date of Patent: ** Apr. 16, 1991

[54] COMBINED WINDOW WASHER AND FLUID DISPENSING CONTAINER THEREFOR

[75] Inventor: Chee Keat Cheang, Kowloon, Hong Kong

[73] Assignee: ACE Accessories Limited, Kwun Tong, Hong Kong

[**] Term: 14 Years

[21] Appl. No.: 166,163

[22] Filed: Mar. 10, 1988

[30] Foreign Application Priority Data

Sep. 11, 1987 [GB] United Kingdom 1044762

[52] U.S. Cl. D32/42; D9/338; D32/45

[58] Field of Search D9/300, 337-338, D9/400, 436; D32/35, 40-42; 15/105, 118, 121, 232, 244.1-244.4, 245, 208, 209 R, 209 B

[56] References Cited

U.S. PATENT DOCUMENTS

D. 182,950 6/1958 Du Pree D9/400

D. 291,378 8/1987 Viner D32/41
2,741,789 4/1956 Ray 401/139
2,745,126 5/1956 Mora 15/245 X
4,776,716 10/1988 Huang 401/139

FOREIGN PATENT DOCUMENTS

1332103 10/1973 United Kingdom 15/209 B

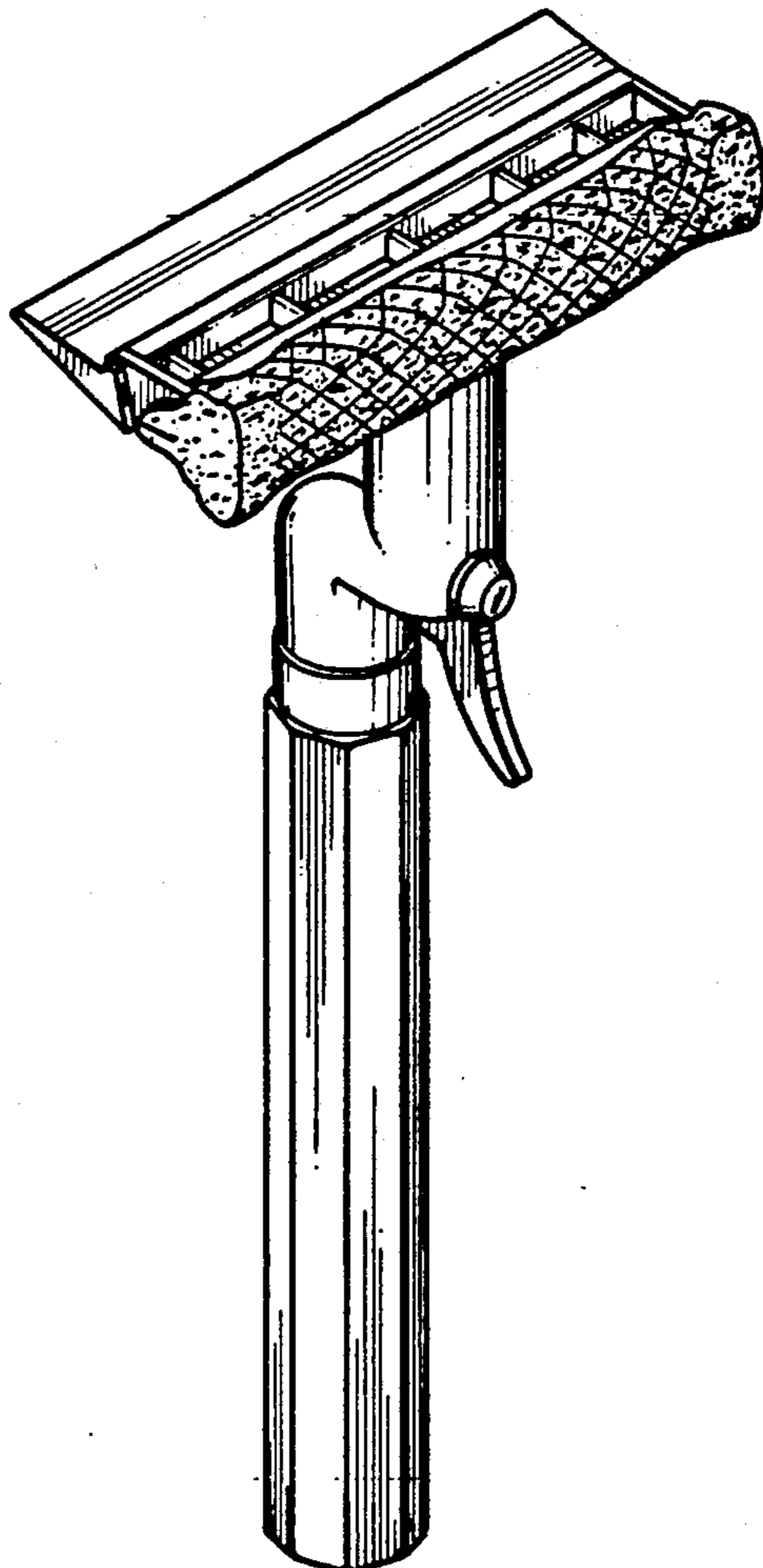
Primary Examiner—Wallace R. Burke
Assistant Examiner—Lavone D. Tabor
Attorney, Agent, or Firm—Danton K. Mak

[57] CLAIM

The ornamental design for a combined window washer and fluid dispensing container therefor, as shown and described.

DESCRIPTION

FIG. 1 is a perspective view of a combined window washer and fluid dispensing container showing my new design;
FIG. 2 is an exploded left side elevational view thereof;
FIG. 3 is a right elevational view thereof;
FIG. 4 is a front elevational view thereof;
FIG. 5 is a rear elevational view thereof;
FIG. 6 is a top plan view thereof; and
FIG. 7 is a bottom plan view thereof.



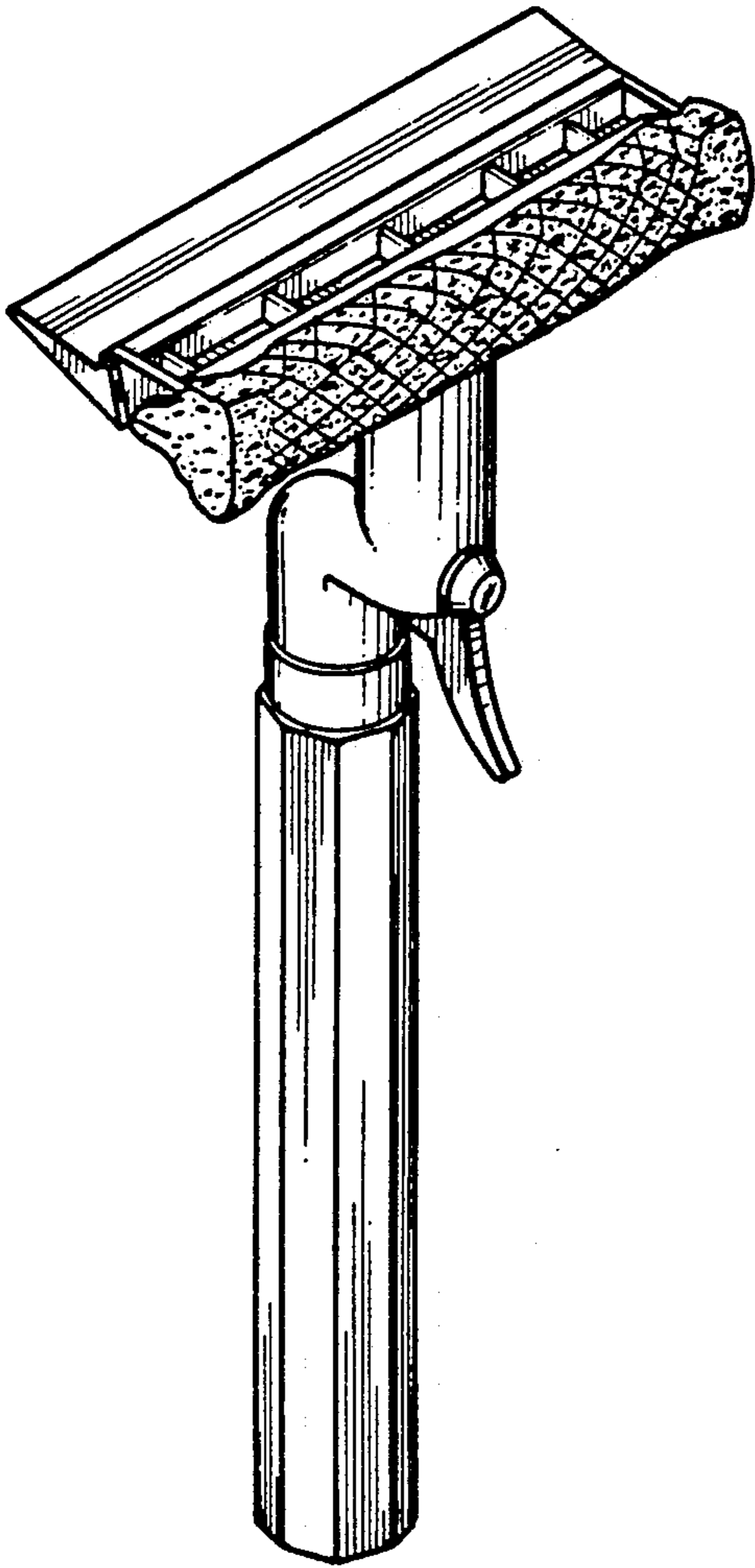


FIG. 1.

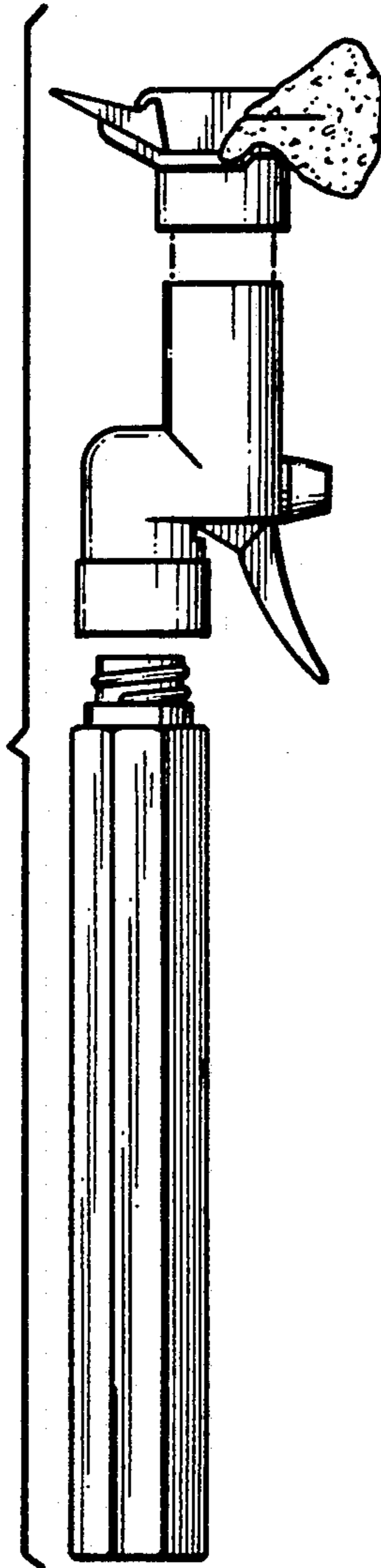


FIG. 2.

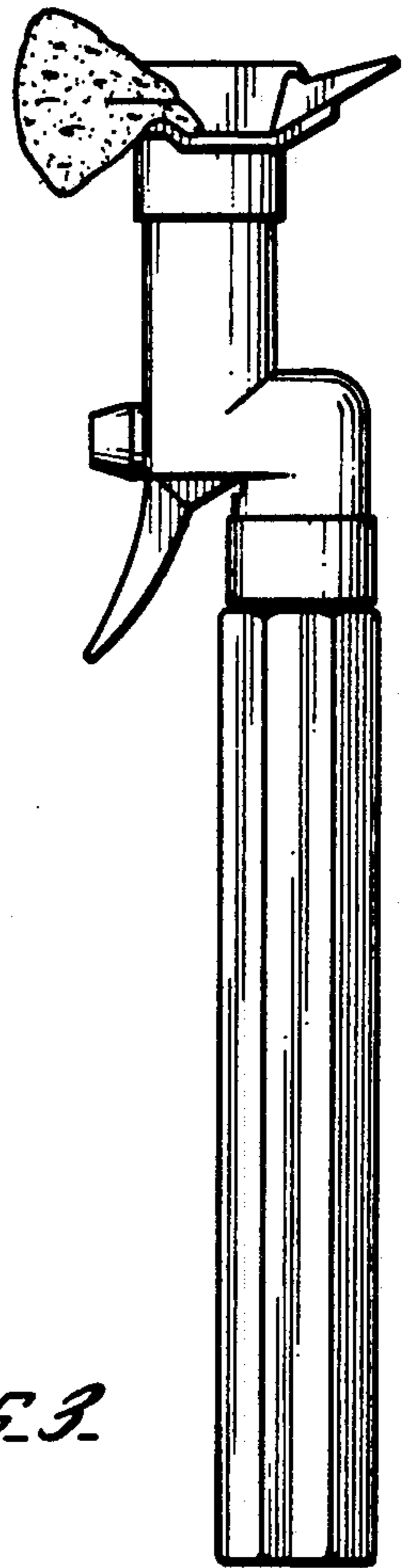


FIG. 3.

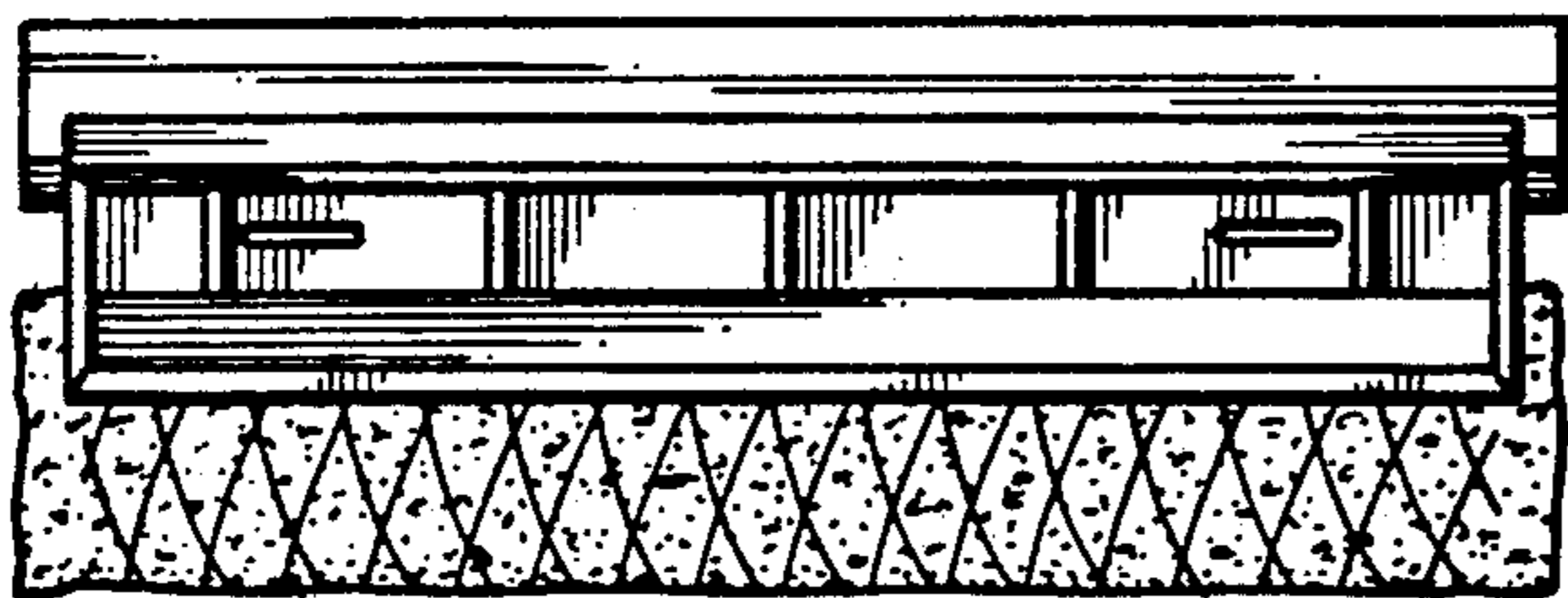


FIG. 6.

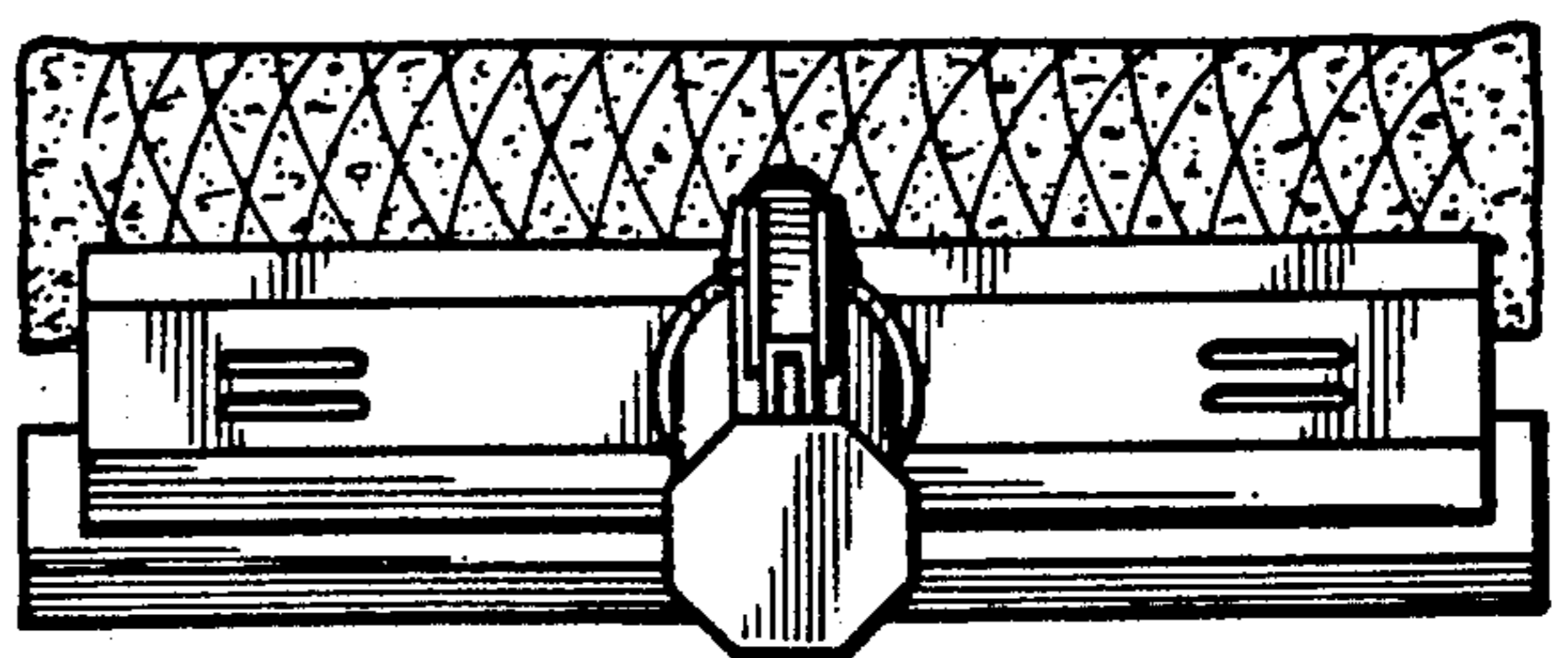


FIG. 7.

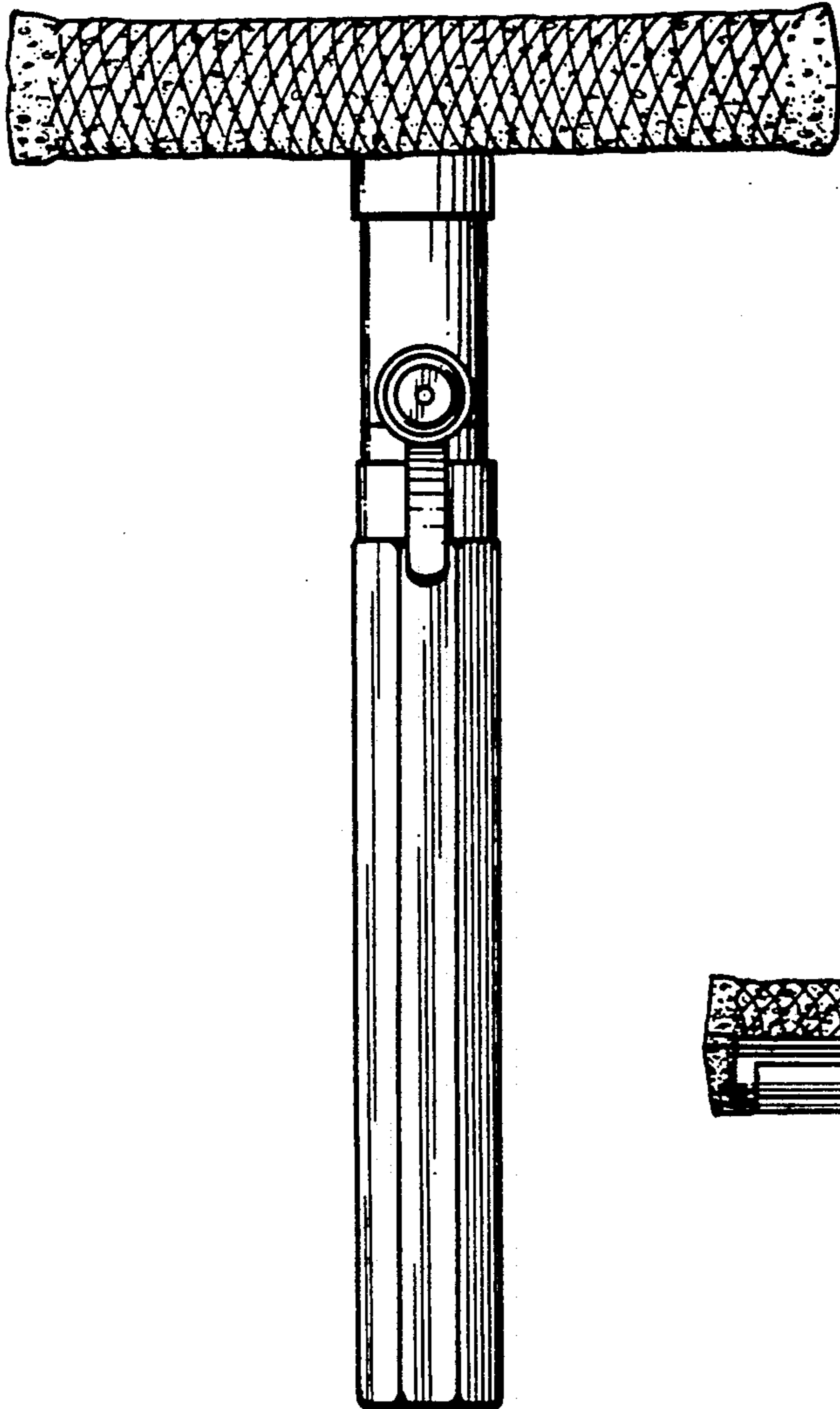


FIG. 4.

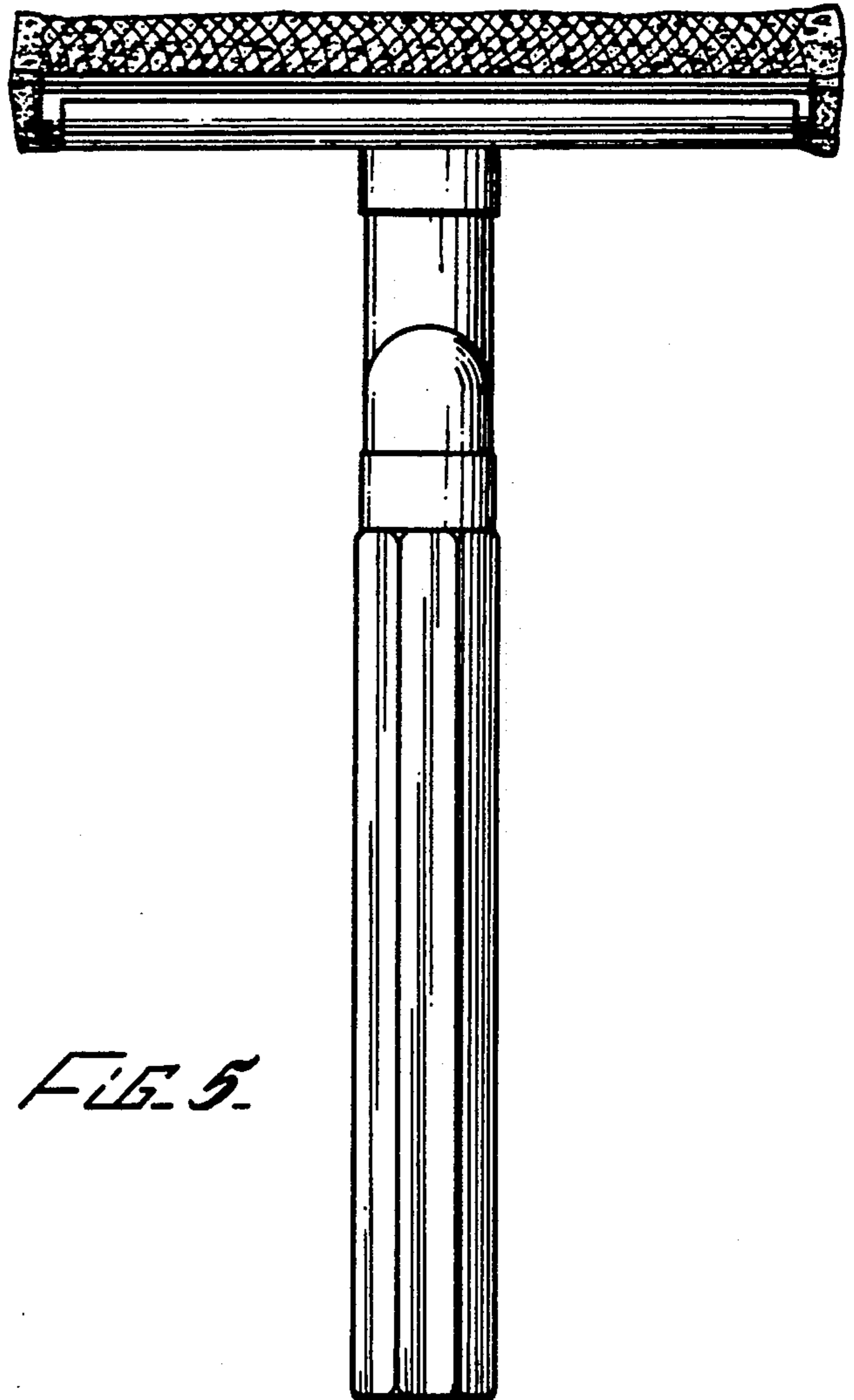


FIG. 5.