

[54] **SUPPORT TRACK FOR A LIGHT STRIP**

[75] **Inventor:** Herbert D. Freed, Miami Beach, Fla.

[73] **Assignee:** Emmanel Corporation, San Antonio, Tex.

[**] **Term:** 14 Years

[21] **Appl. No.:** 340,575

[22] **Filed:** Apr. 18, 1989

[52] **U.S. Cl.** D26/140; D25/119;
D26/24

[58] **Field of Search** D25/119, 121, 123, 125;
D26/24, 25; 140/74; 142/118, 138; 362/227,
235; 147/241; 151/246, 249; 153.1/250

[56] **References Cited**

U.S. PATENT DOCUMENTS

D. 307,639	5/1990	Lettenmayer	D26/24
4,158,221	6/1979	Agabekov	362/249 X
4,521,838	6/1985	Agabekov	362/249 X
4,874,320	10/1989	Freed et al.	439/115

OTHER PUBLICATIONS

Dahlstrom's Metal Moldings & Shapes catalog #11, 1967, p. 52, Molding #2417.

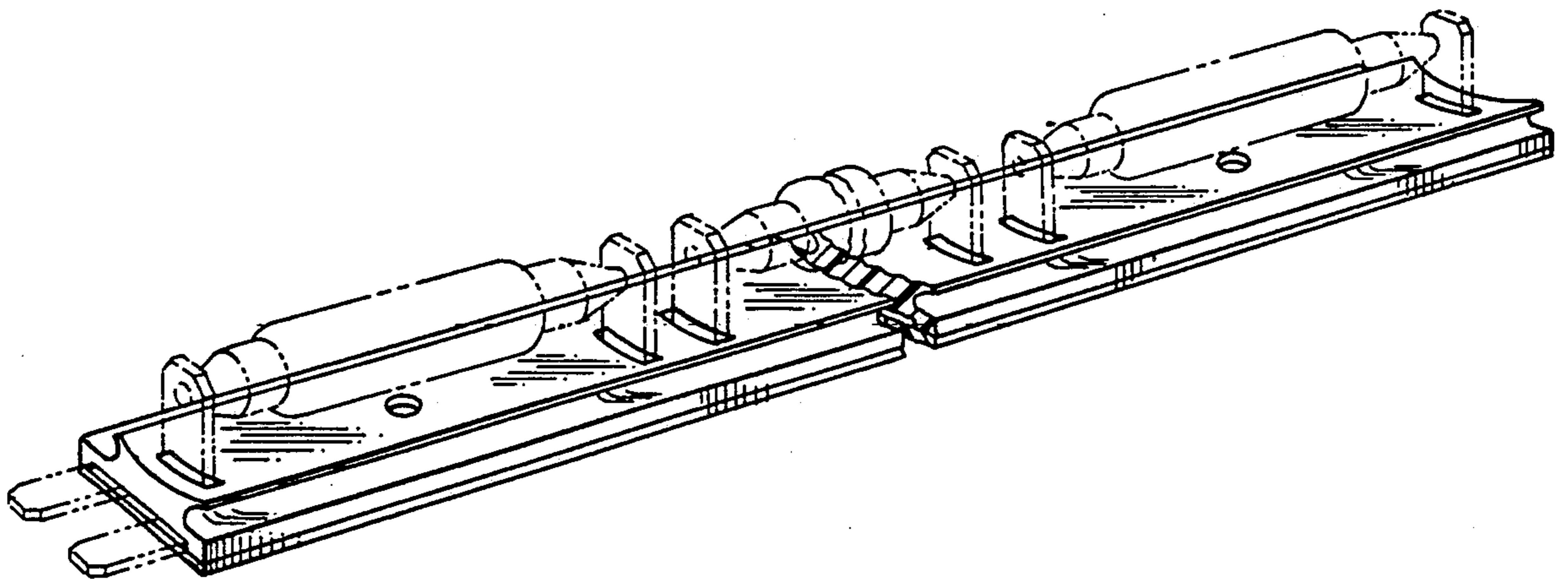
Primary Examiner—Susan J. Lucas
Attorney, Agent, or Firm—Gunn, Lee & Miller

[57] **CLAIM**

The ornamental design for the support track for a light strip, as shown and described.

DESCRIPTION

FIG. 1 is a top plan view of a support track for a light strip showing my new design;
FIG. 2 is a side elevational view thereof, the opposite side being identical;
FIG. 3 is a bottom plan view thereof;
FIG. 4 is an end elevational view thereof, the opposite end being identical;
FIG. 5 is a top perspective view thereof;
FIG. 6 is a top perspective view with lamps and sockets which form no part of the claimed design being shown in broken lines for illustrative purposes only.
The track is broken away to indicate indeterminate length.



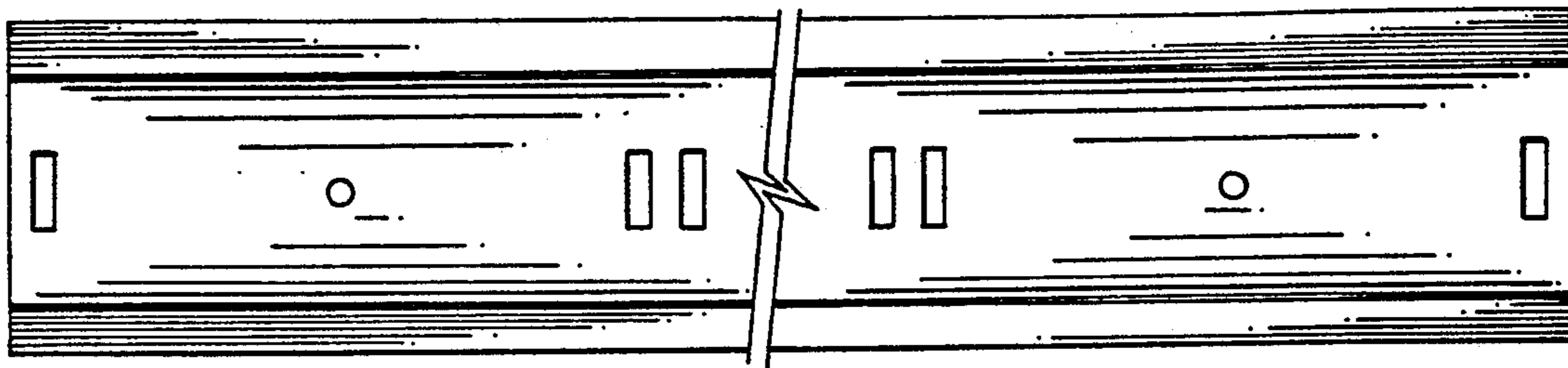


FIG. 1



FIG. 2

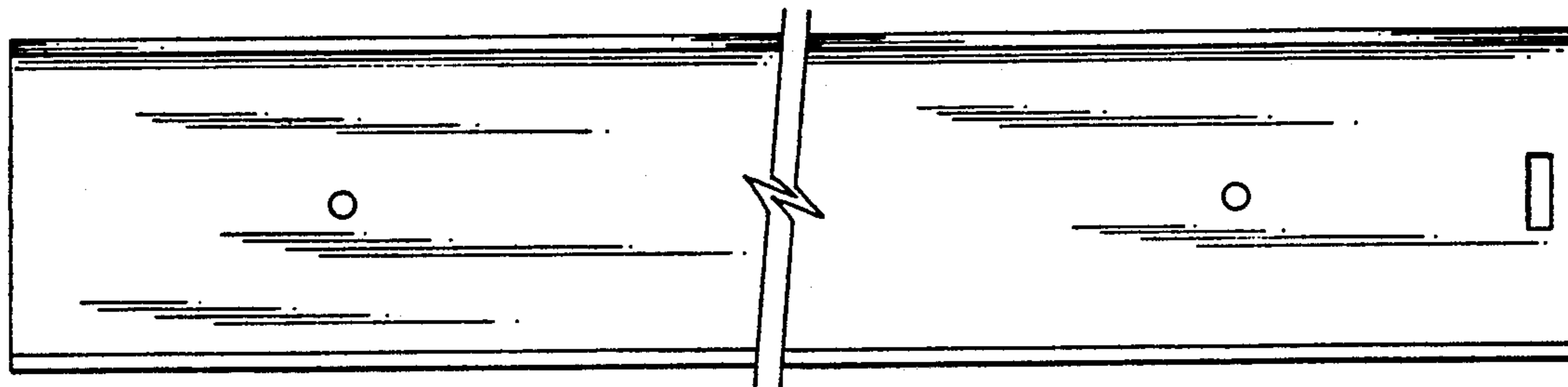


FIG. 3



FIG. 4

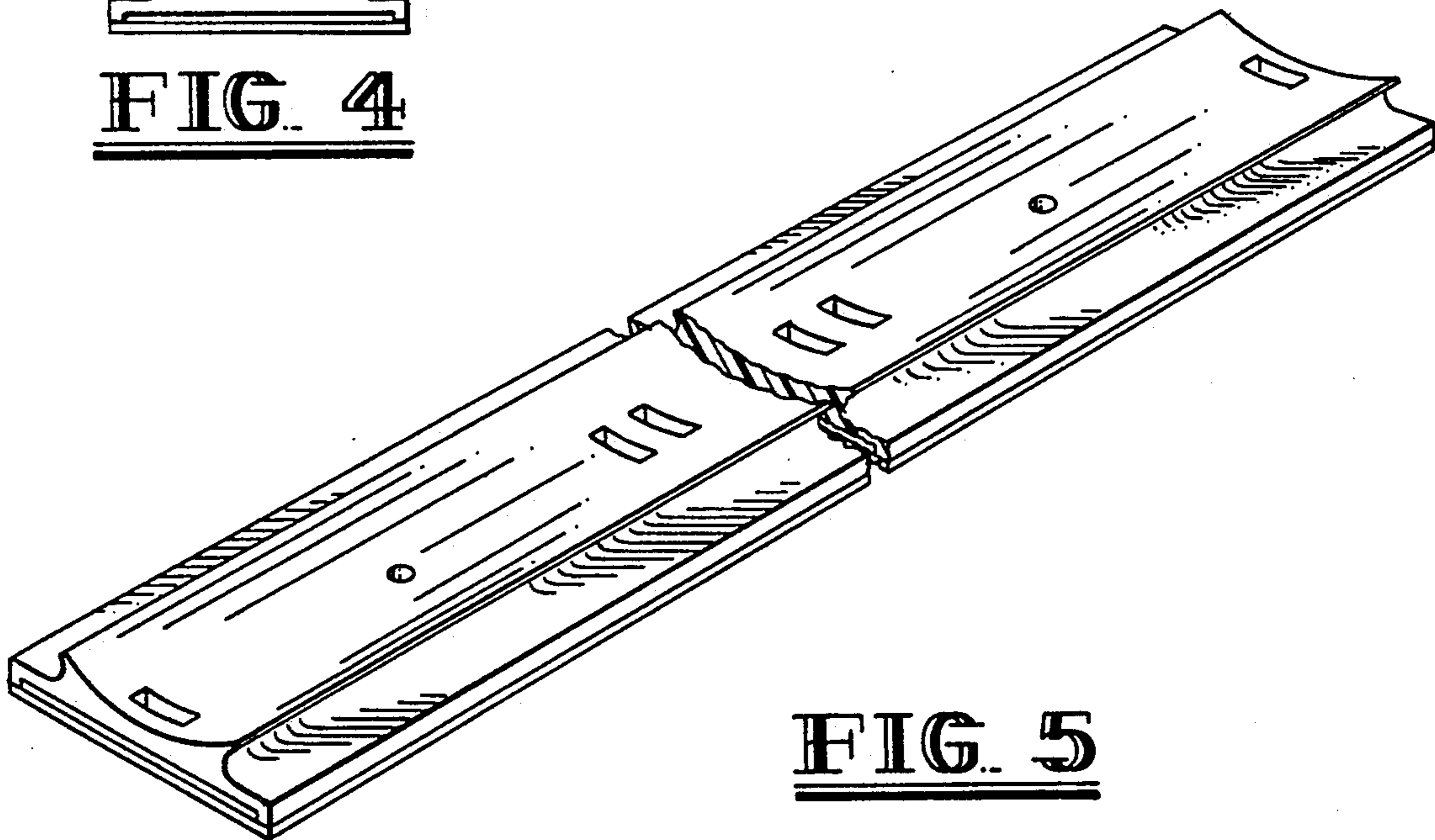


FIG. 5

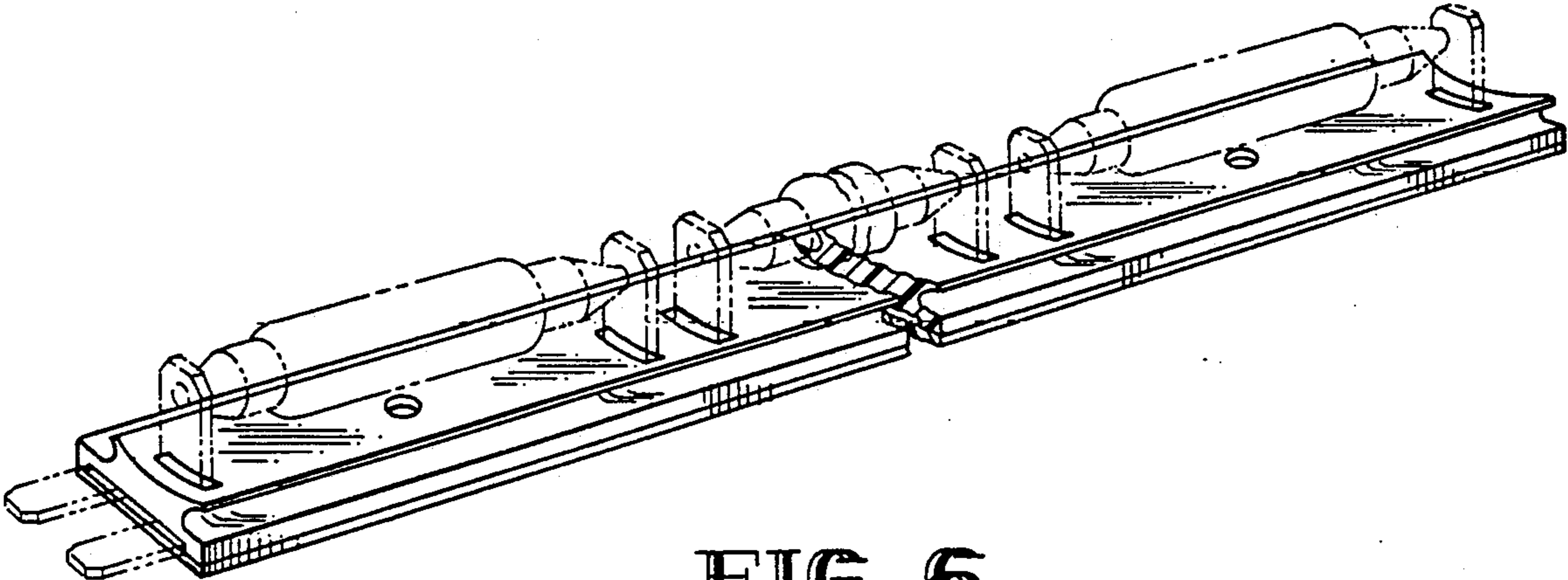


FIG. 6