

[54] LAMP REFLECTOR

[75] Inventor: John Stromberg, Wilton, Conn.

[73] Assignee: Ledu Corporation, Trumbull, Conn.

[\*\*] Term: 14 Years

[21] Appl. No.: 316,105

[22] Filed: Feb. 24, 1989

[52] U.S. Cl. .... D26/131; D26/63

[58] Field of Search ..... D26/60-65,  
D26/24, 128-137; 362/147, 269, 275, 287, 418,  
419, 427, 410-414, 432

[56] References Cited

U.S. PATENT DOCUMENTS

|            |        |        |       |           |
|------------|--------|--------|-------|-----------|
| D. 167,268 | 7/1952 | Lordo  | ..... | D26/24    |
| 1,963,278  | 6/1934 | Pieper | ..... | D26/63 X  |
| 2,878,371  | 3/1959 | Hanlin | ..... | 362/351 X |

OTHER PUBLICATIONS

Nessen/Agusti Lamp catalog, ©1982, p. 10, Reflector (Wall Lamp, top left).

B. A. Pargh Summer/Spring catalog 1985, p. 114, Ledu Hospital Uni-Lamp Reflector.

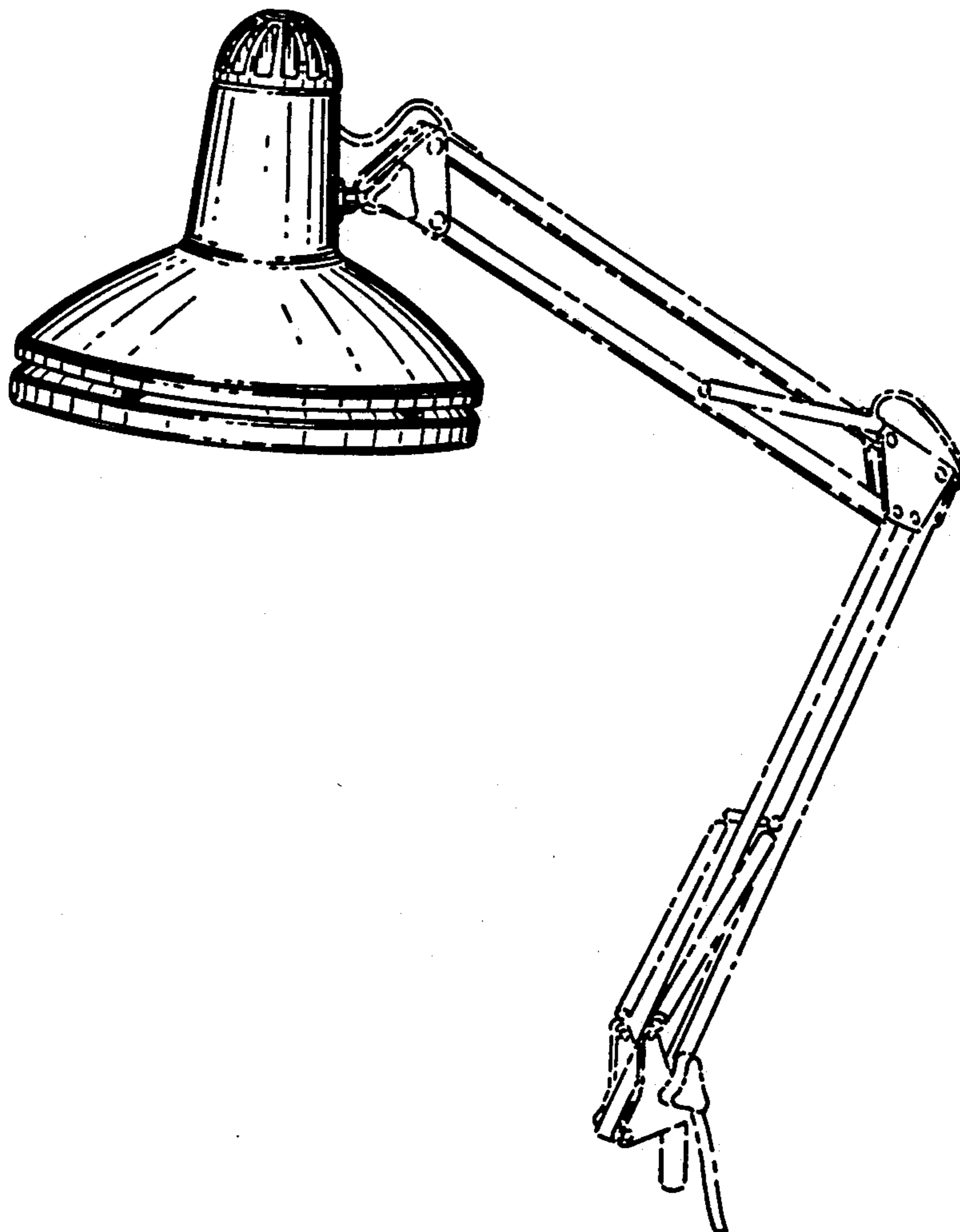
Primary Examiner—Susan J. Lucas  
Attorney, Agent, or Firm—Gottlieb, Rackman & Reisman

[57] CLAIM

The ornamental design for a lamp reflector, as shown and described.

DESCRIPTION

FIG. 1 is a side perspective view of a lamp reflector showing my new design;  
FIG. 2 is a front elevational view thereof on an enlarged scale;  
FIG. 3 is a side elevational view thereof on an enlarged scale, the opposite side being a mirror image;  
FIG. 4 is a rear elevational view thereof on an enlarged scale;  
FIG. 5 is a top plan view thereof on an enlarged scale;  
FIG. 6 is a bottom plan view thereof on an enlarged scale; and  
FIG. 7 is a bottom perspective view thereof.  
The support arm is shown in broken lines for illustrative purposes only and forms no part of the claimed design.



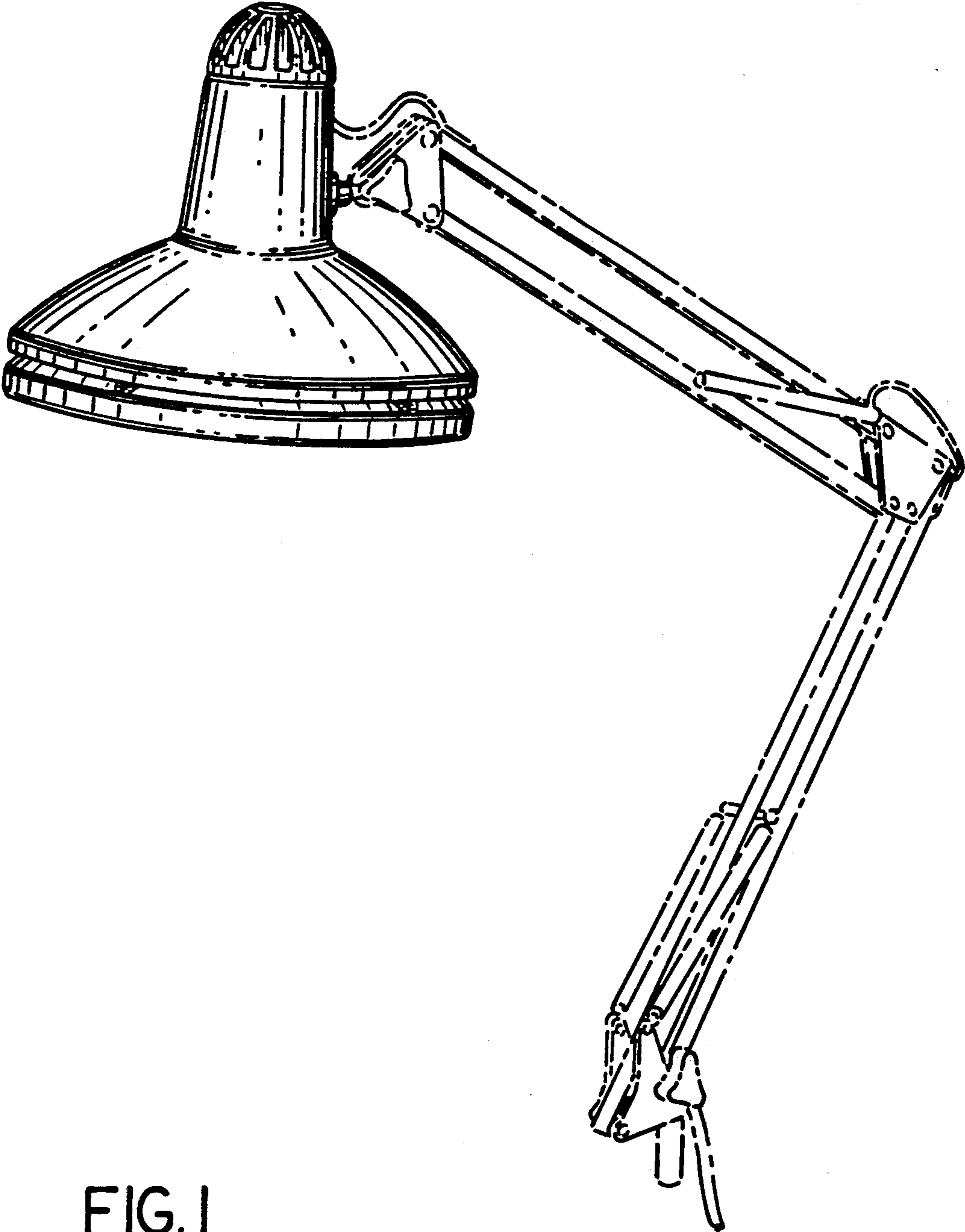


FIG. 1

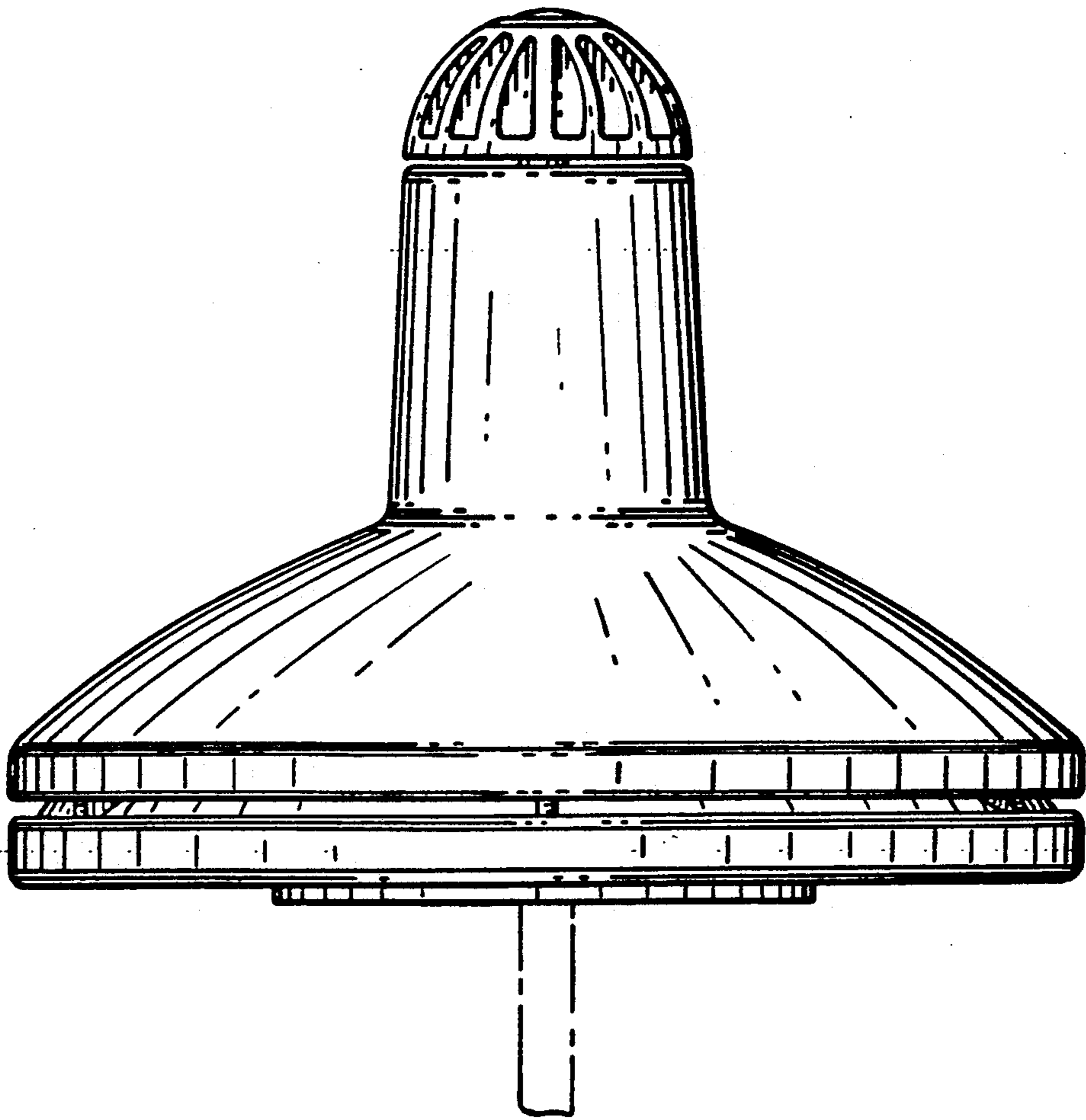


FIG. 2

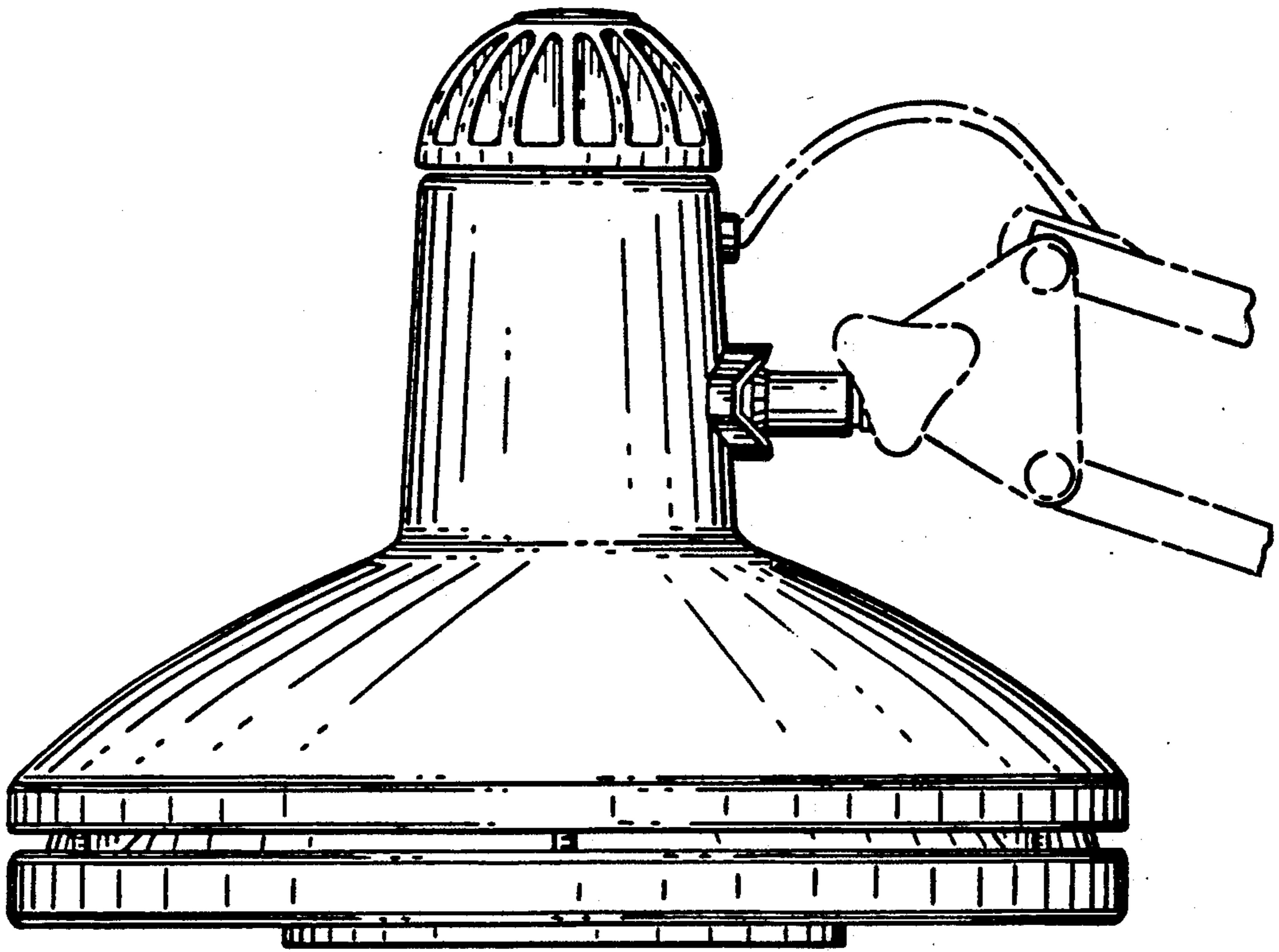


FIG. 3

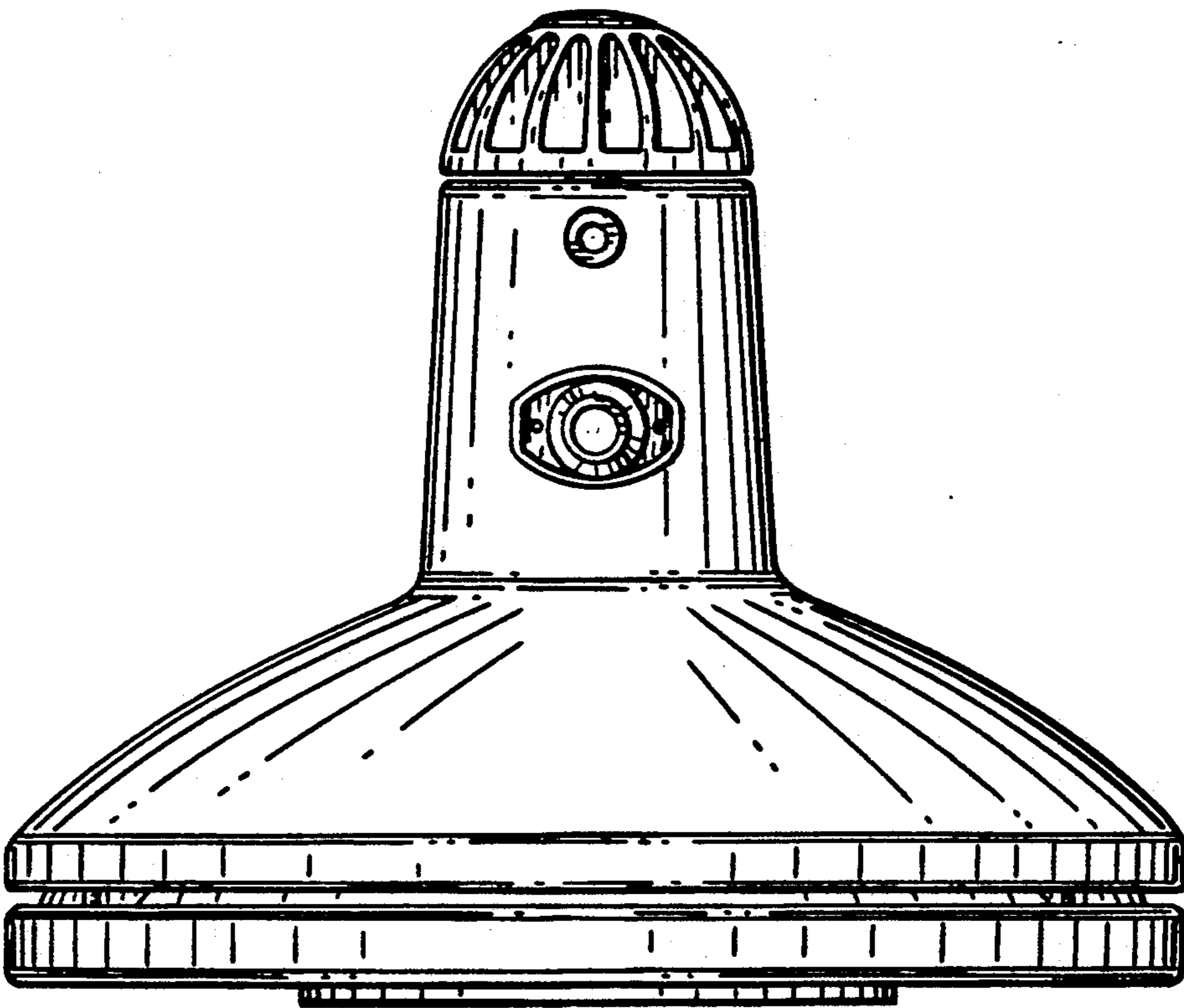


FIG. 4

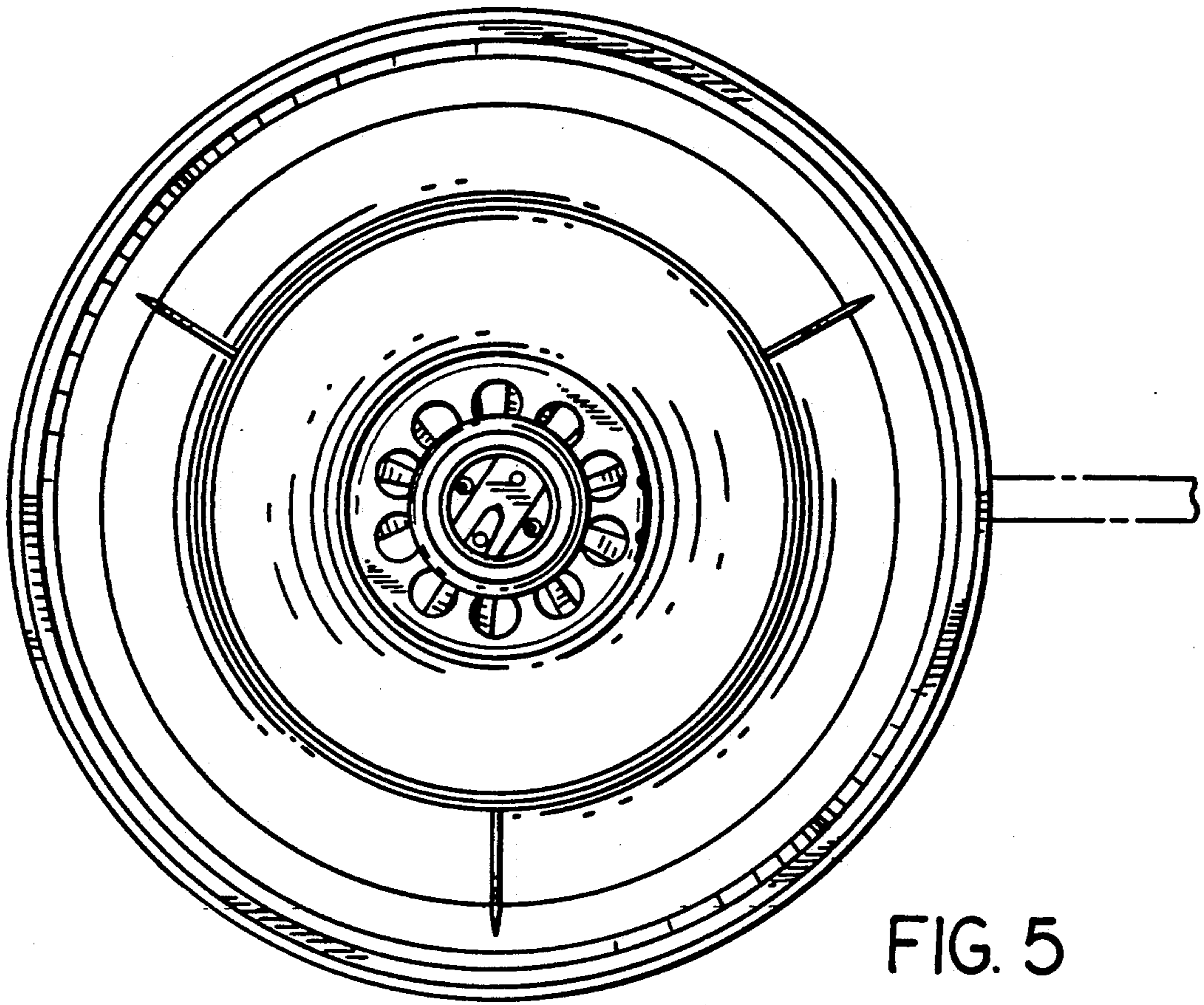


FIG. 5

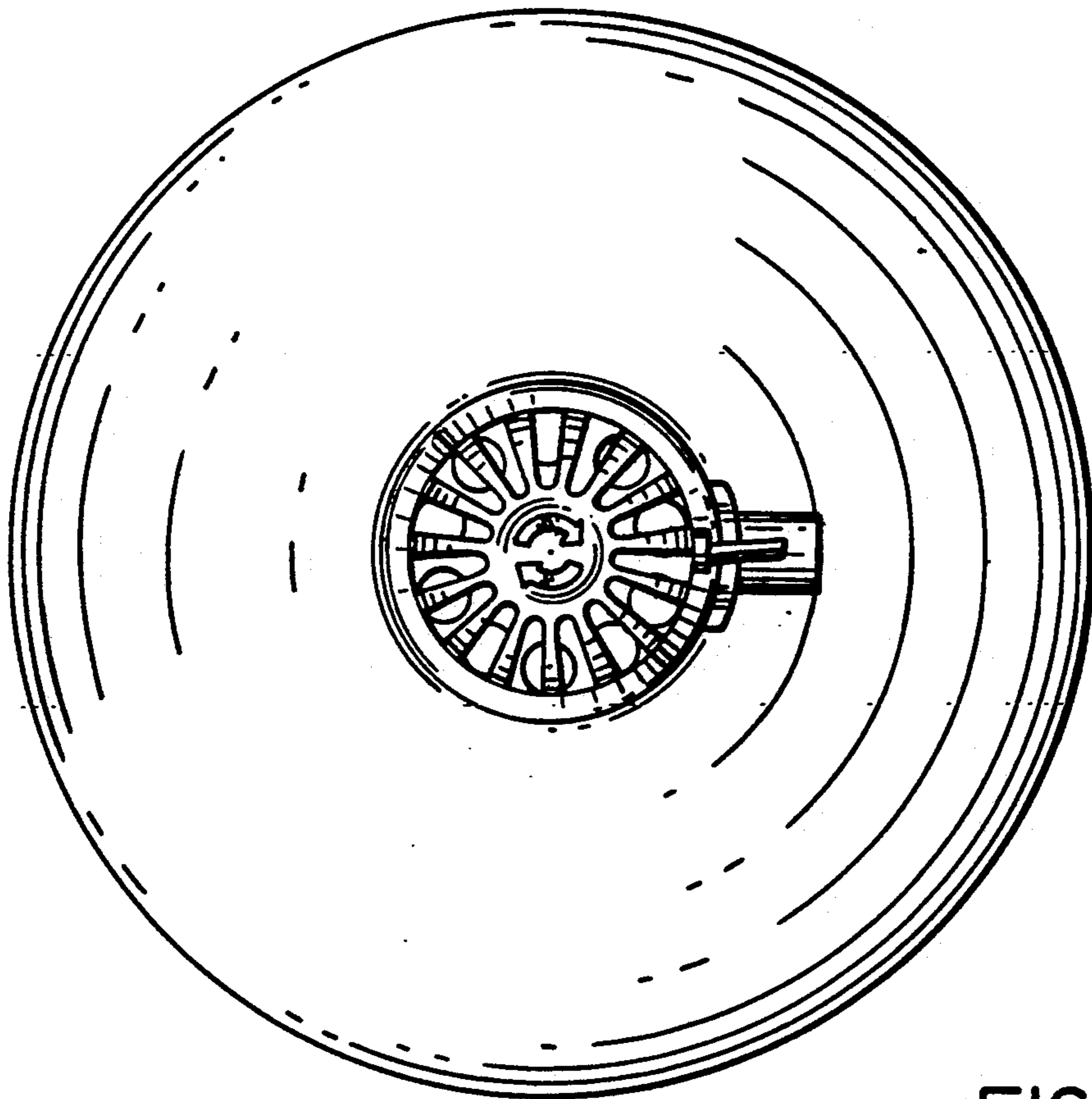


FIG. 6

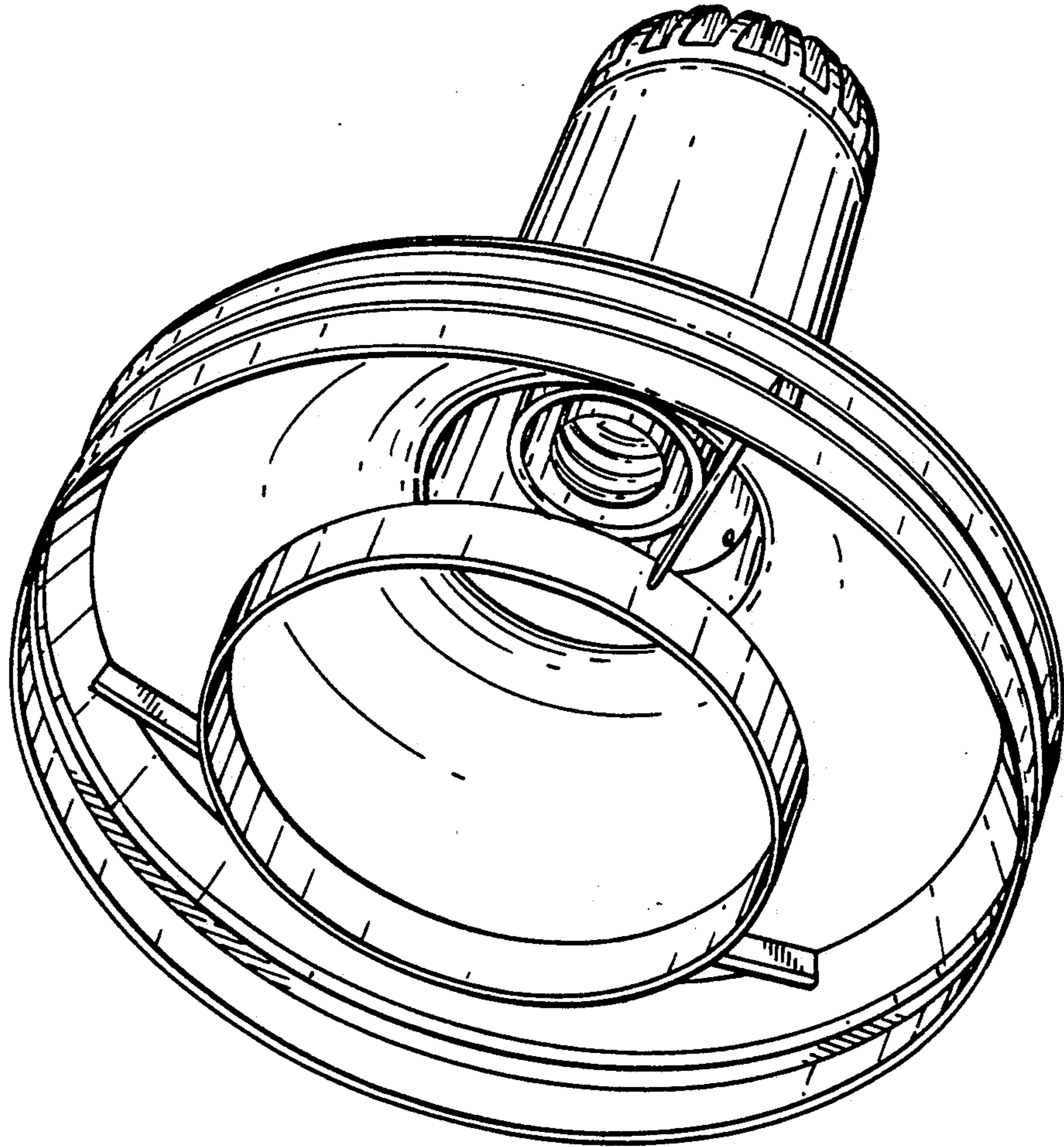


FIG. 7