

[54] **SPOTLIGHT**

[75] **Inventor: Tim Court, London, Great Britain**

[73] **Assignee: Siemens Aktiengesellschaft, Berlin and Munich, Fed. Rep. of Germany**

[**] **Term: 14 Years**

[21] **Appl. No.: 192,823**

[22] **Filed: May 11, 1988**

[30] **Foreign Application Priority Data**

Nov. 11, 1987 [DE] Fed. Rep. of Germany BD.10NR.17535

[52] **U.S. Cl. D26/63**

[58] **Field of Search D26/60-65; 362/147, 269, 275, 418, 419, 427, 428**

[56] **References Cited**

U.S. PATENT DOCUMENTS

D. 286,578 11/1986 Krokaugger D26/63

D. 297,672 9/1988 Skegin D26/63
3,040,993 6/1962 Schultz 362/269
3,116,022 12/1963 Davis 362/275 X
4,061,912 12/1977 Levasseur 362/287

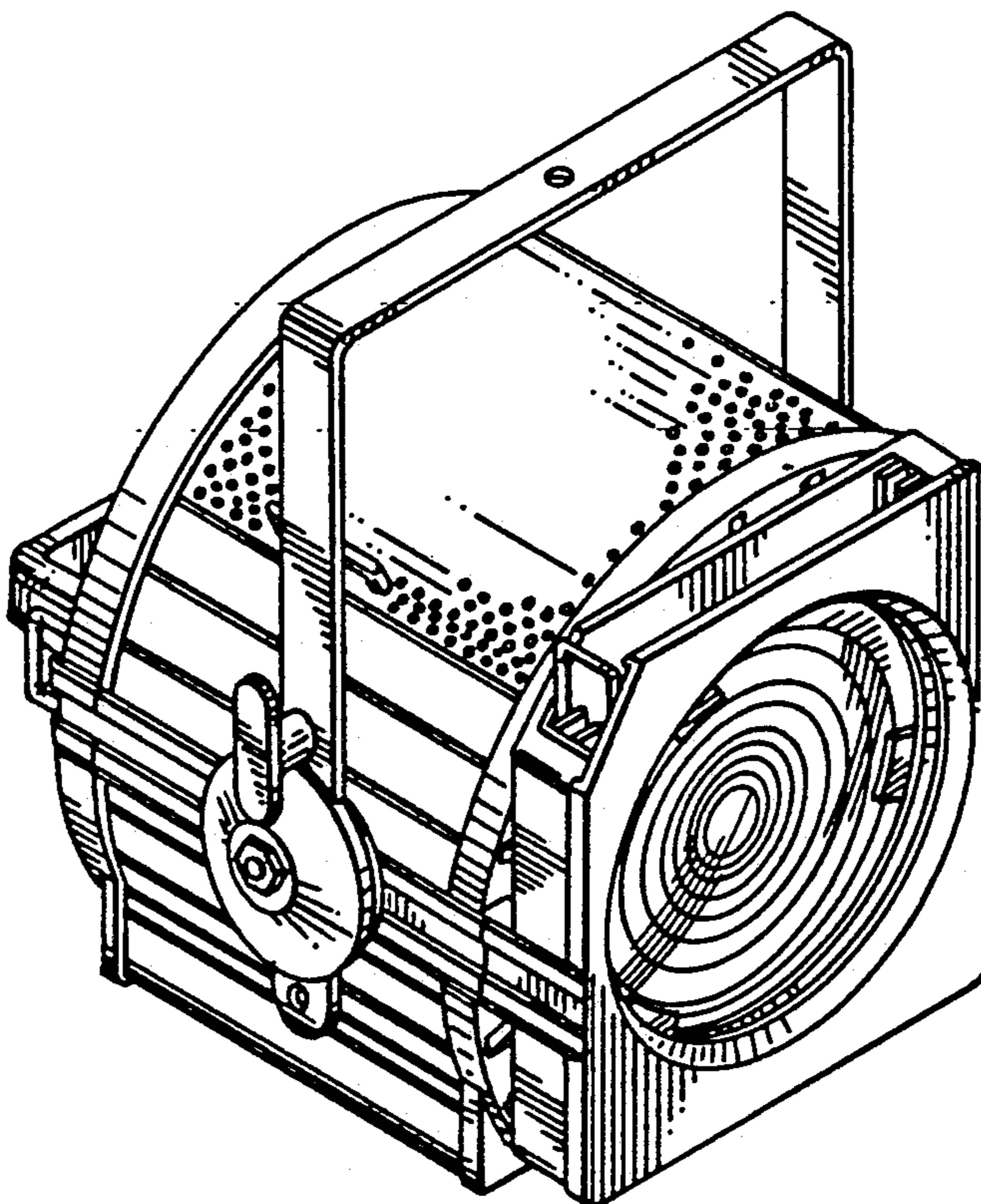
Primary Examiner—Susan J. Lucas
Attorney, Agent, or Firm—Herbert L. Lerner; Laurence A. Greenberg

[57] **CLAIM**

The ornamental design for a spotlight, as shown and described.

DESCRIPTION

FIG. 1 is a bottom-plan view of a spotlight showing my new design;
FIG. 2 is a top-plan view thereof;
FIG. 3 is a right-side elevational view thereof;
FIG. 4 is a left-side elevational view thereof;
FIG. 5 is a rear-elevational view thereof;
FIG. 6 is a front-elevational view thereof; and
FIG. 7 is a top, front and left side perspective view thereof.



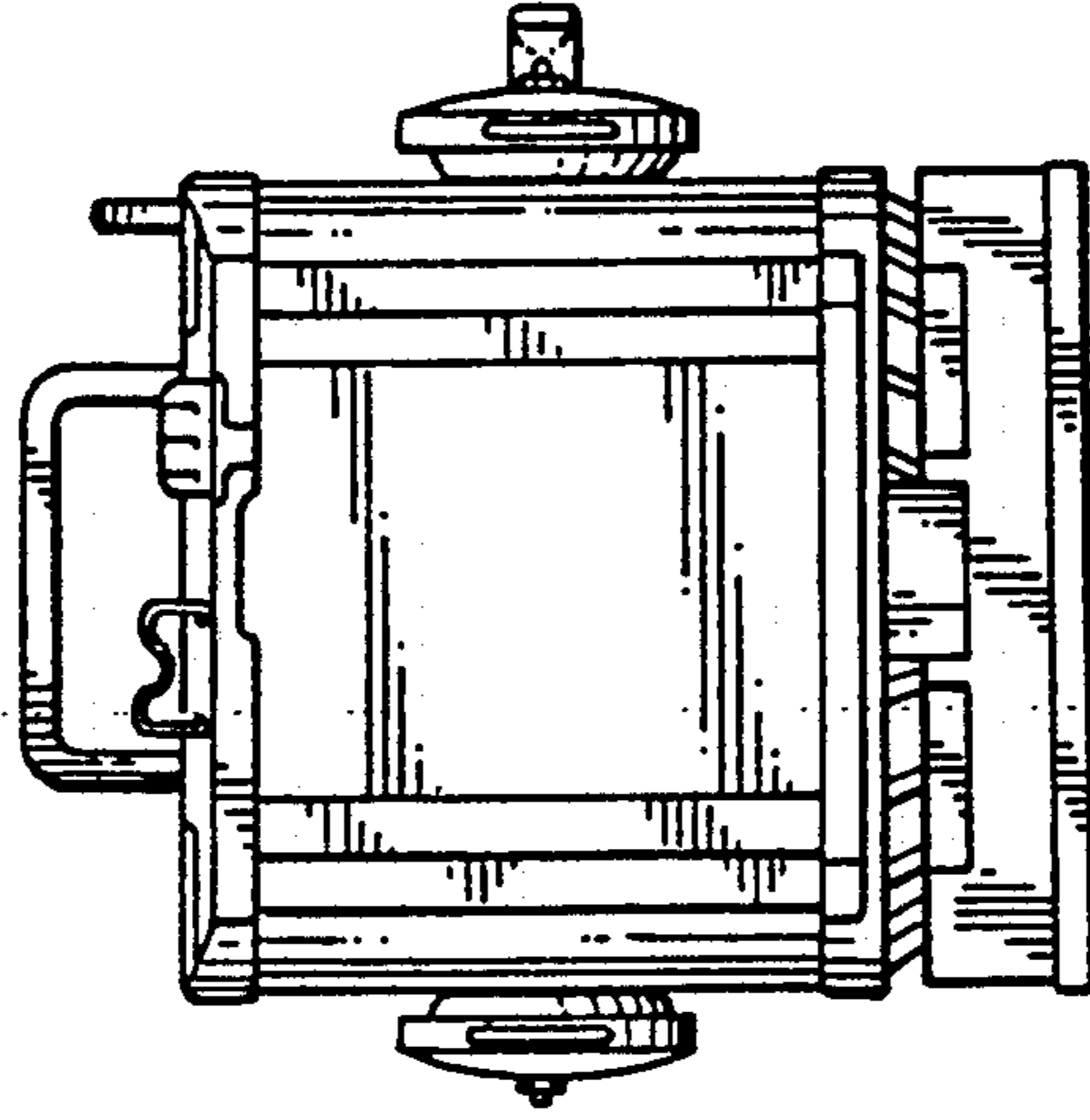


FIG. 1

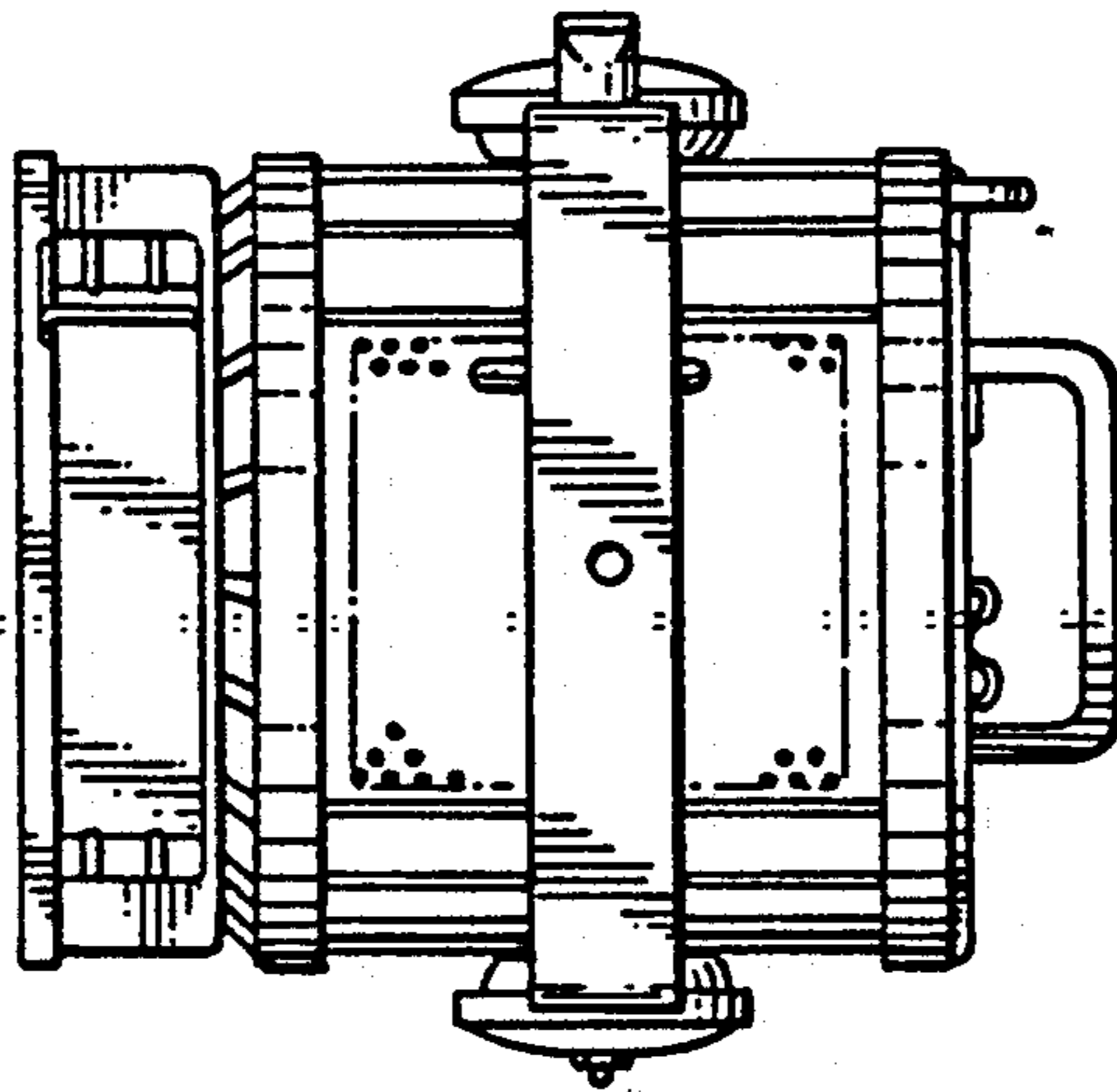


FIG. 2

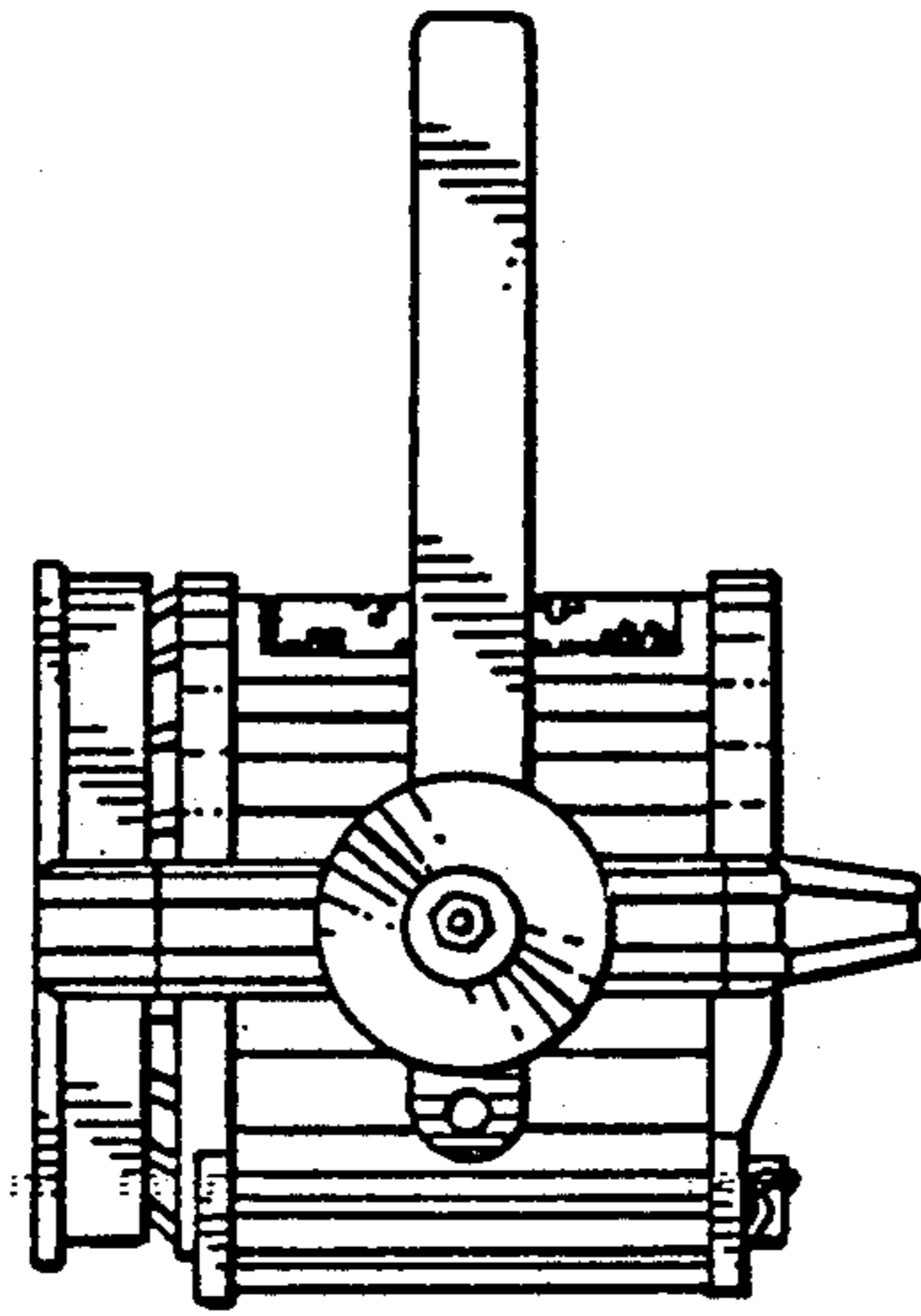


FIG. 3

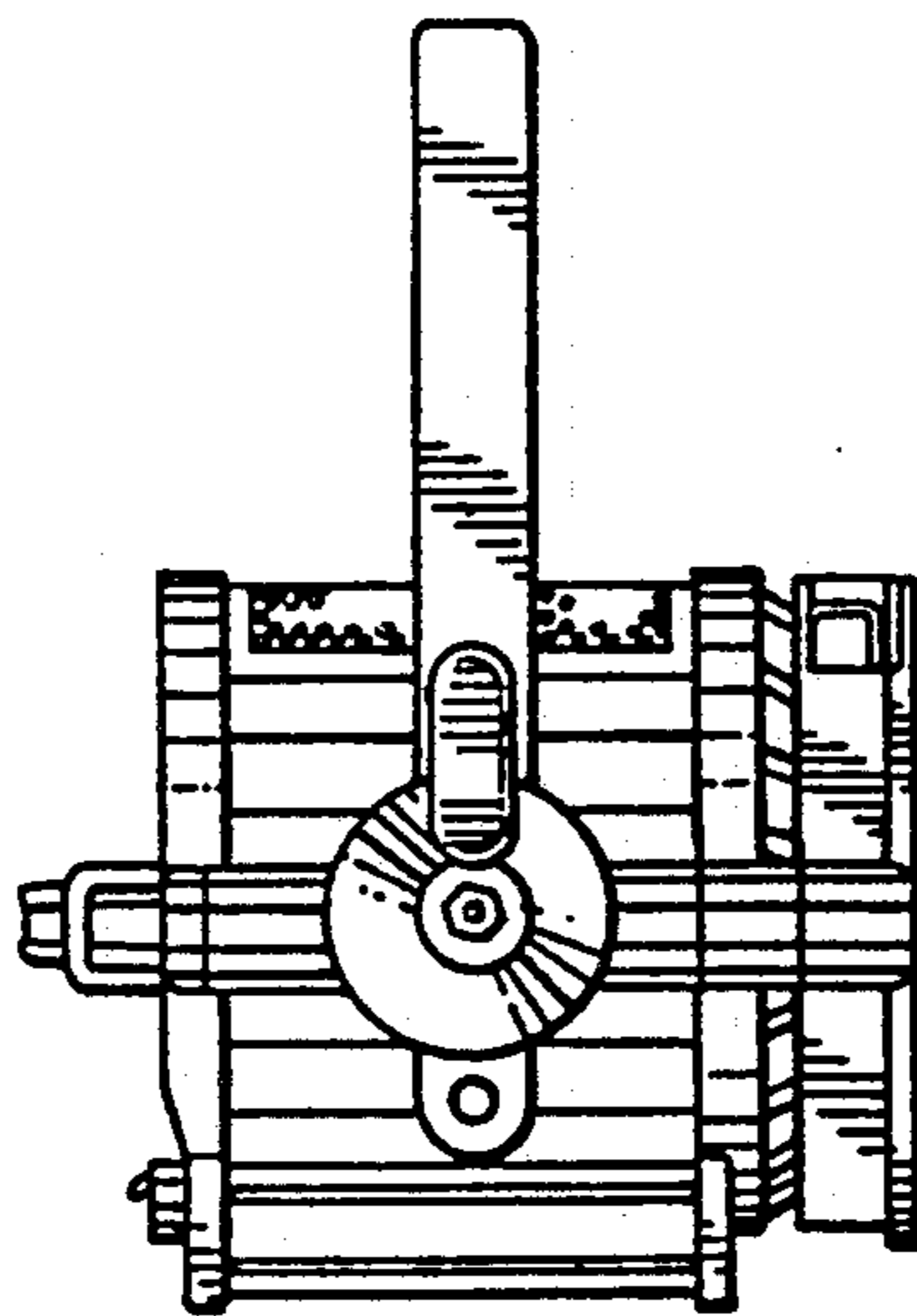


FIG. 4

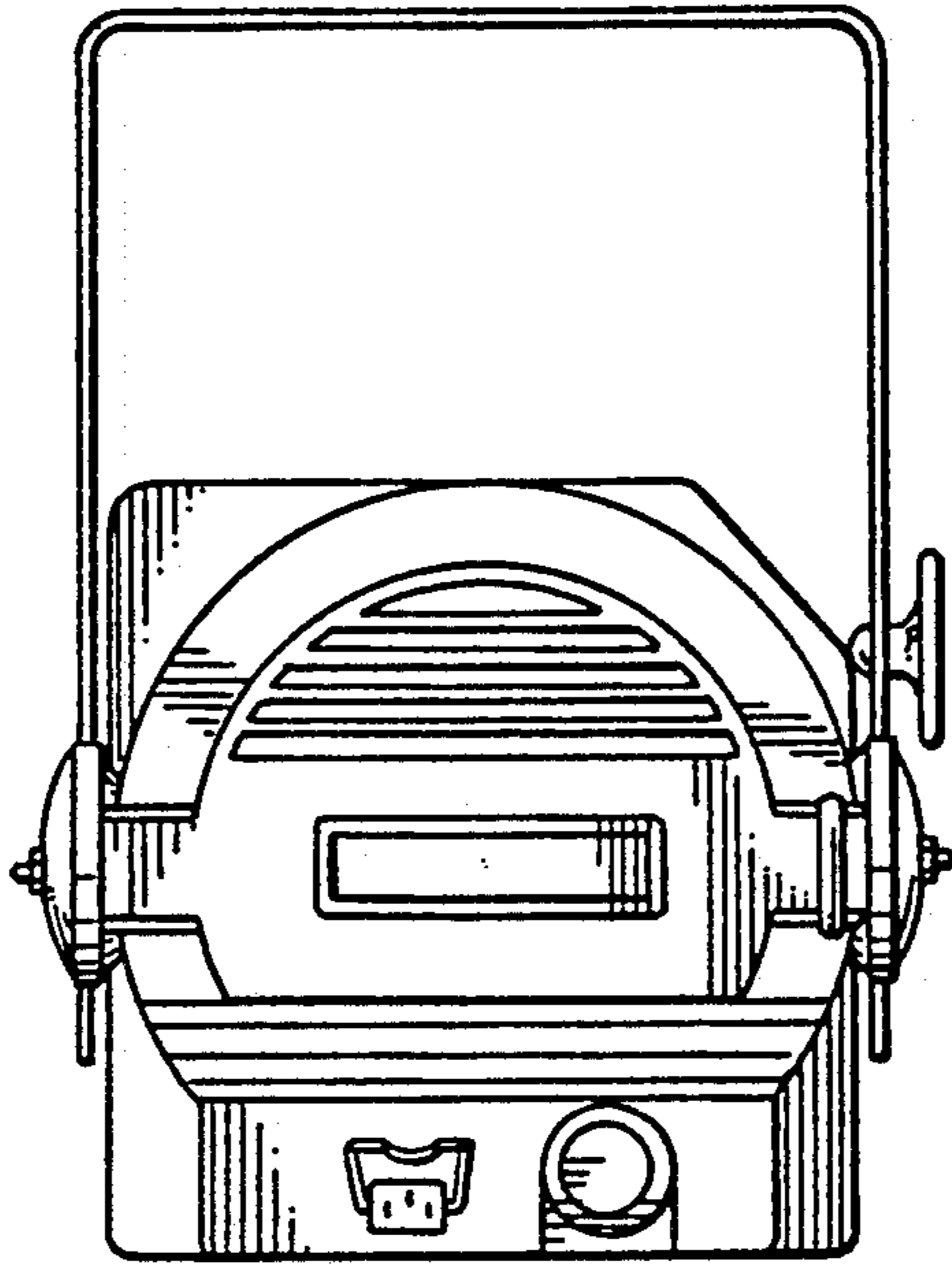


FIG. 5

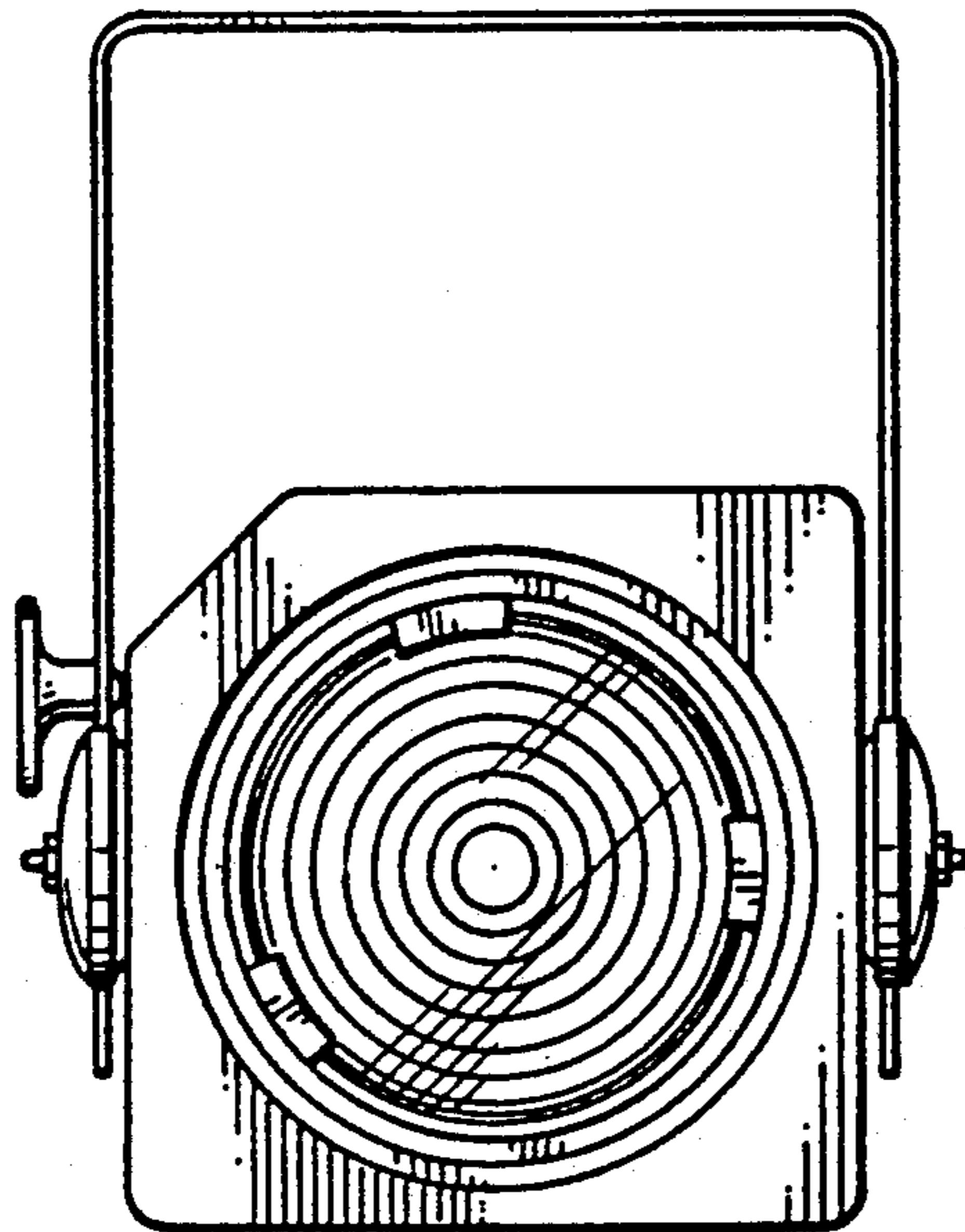


FIG. 6

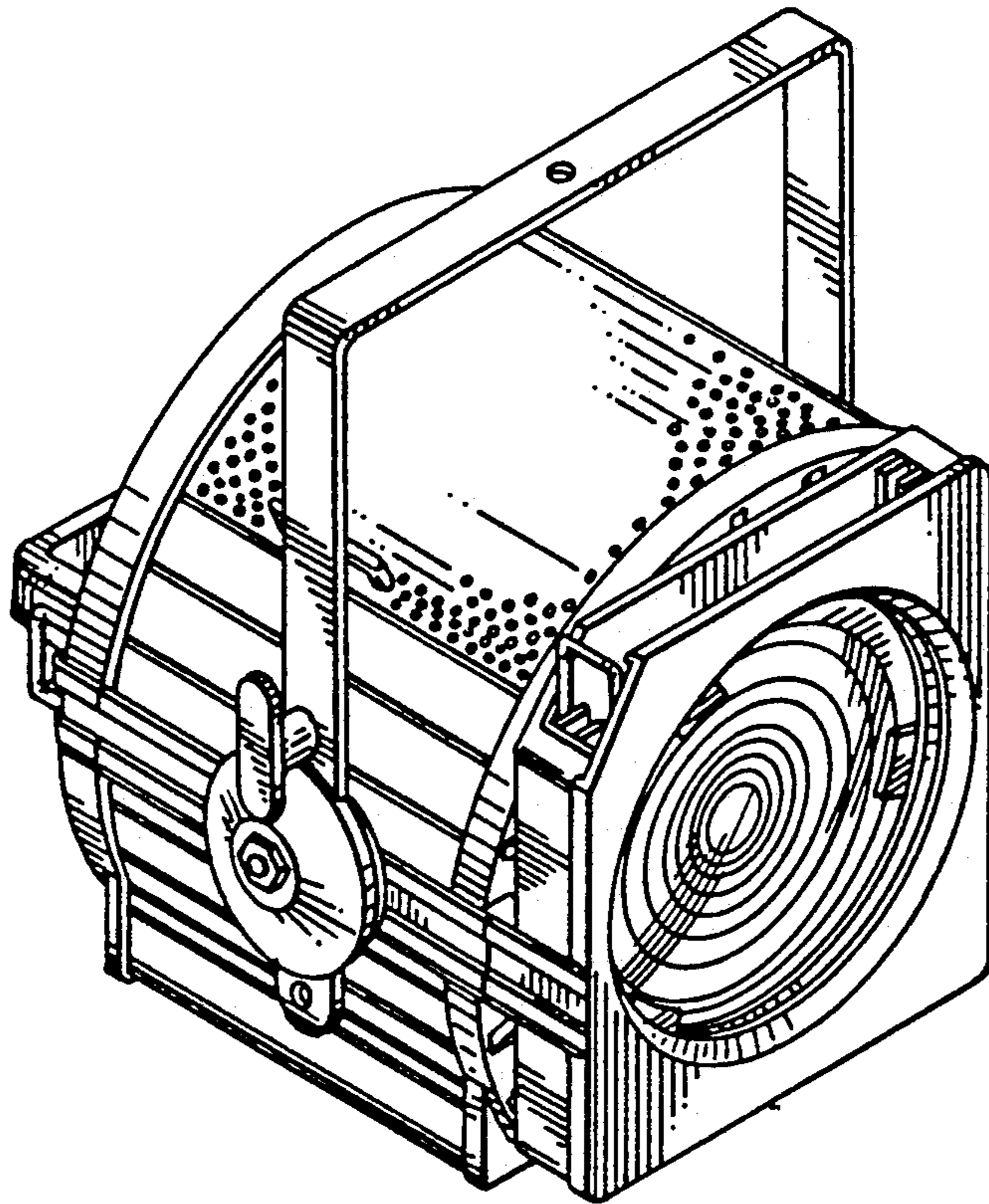


FIG. 7