

[54] FLOODLAMP

[75] Inventor: Clifford J. Layne, Toronto, Canada

[73] Assignee: Noma Inc., Scarborough, Canada

[**] Term: 14 Years

[21] Appl. No.: 235,242

[22] Filed: Aug. 23, 1988

[52] U.S. Cl. D26/63

[58] Field of Search D26/60-65;
362/33, 147, 269, 275, 287, 413, 418, 419, 427,
428

[56] References Cited

U.S. PATENT DOCUMENTS

- D. 235,227 5/1975 Cleary et al. D26/63
- D. 269,913 7/1983 Johnson et al. D26/63

- D. 276,558 11/1984 Chan D26/63
- 4,281,370 7/1981 Masenheimer et al. 362/287

Primary Examiner—Susan J. Lucas
Attorney, Agent, or Firm—Kenneth M. Garrett

[57] CLAIM

The ornamental design for a floodlamp, a shown and described.

DESCRIPTION

- FIG. 1 is a front, left side perspective view of a floodlamp showing my new design;
- FIG. 2 is a left side elevational view thereof;
- FIG. 3 is a front elevational view thereof;
- FIG. 4 is a rear elevational view thereof;
- FIG. 5 is a top plan view thereof;
- FIG. 6 is a bottom plan view thereof;
- FIG. 7 is a right side elevational view thereof.

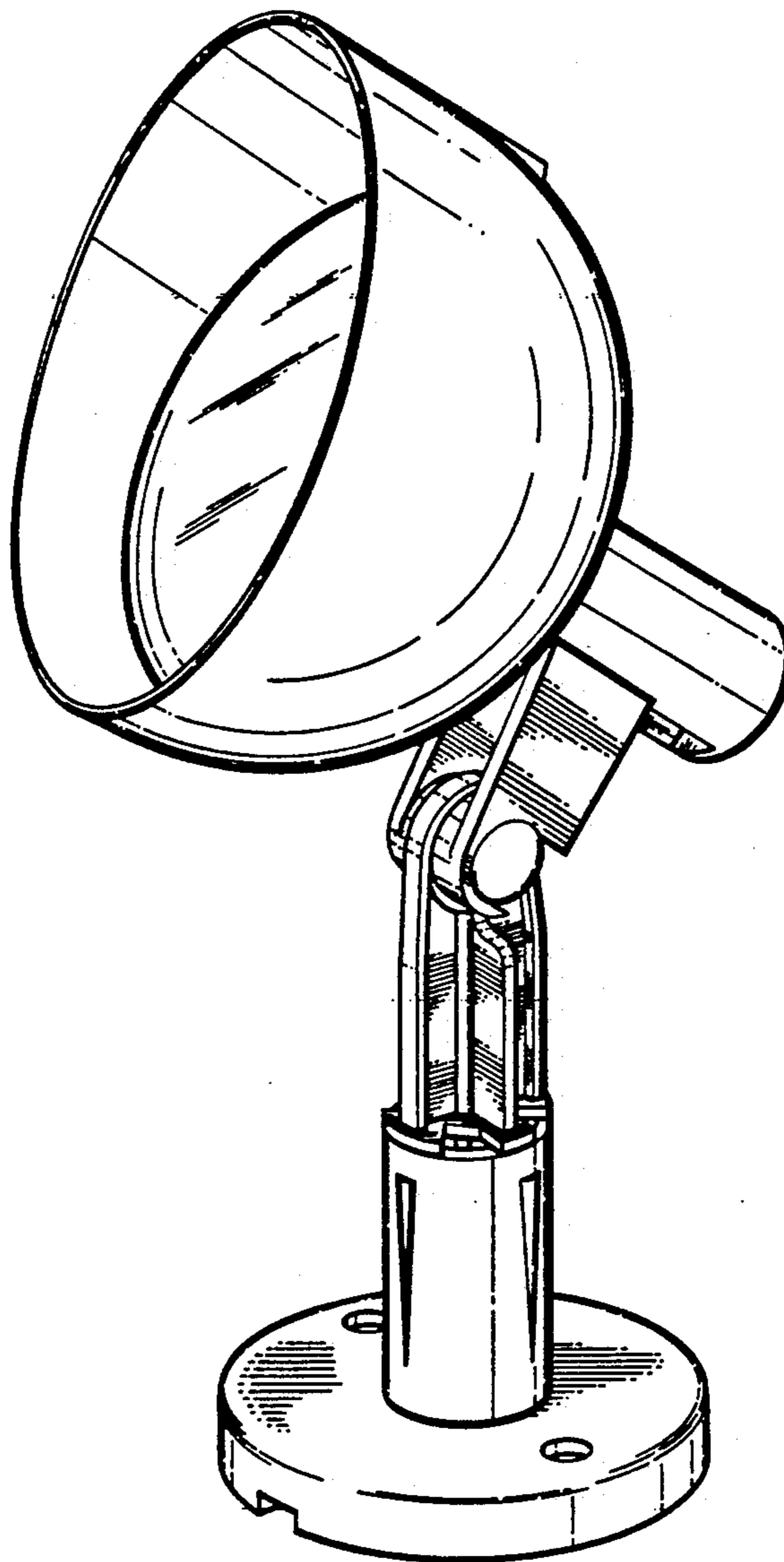


FIG.1.

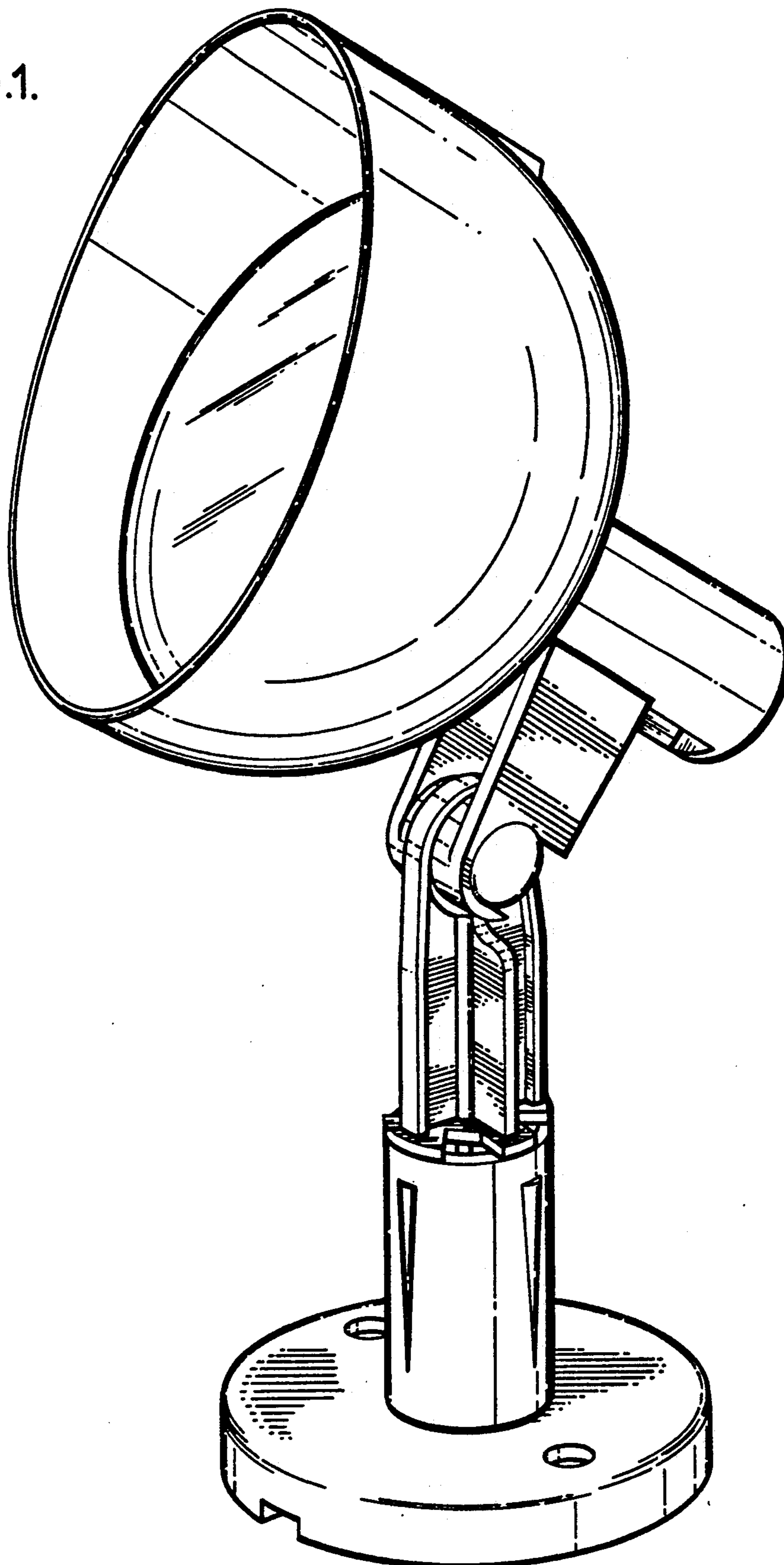


FIG.2.

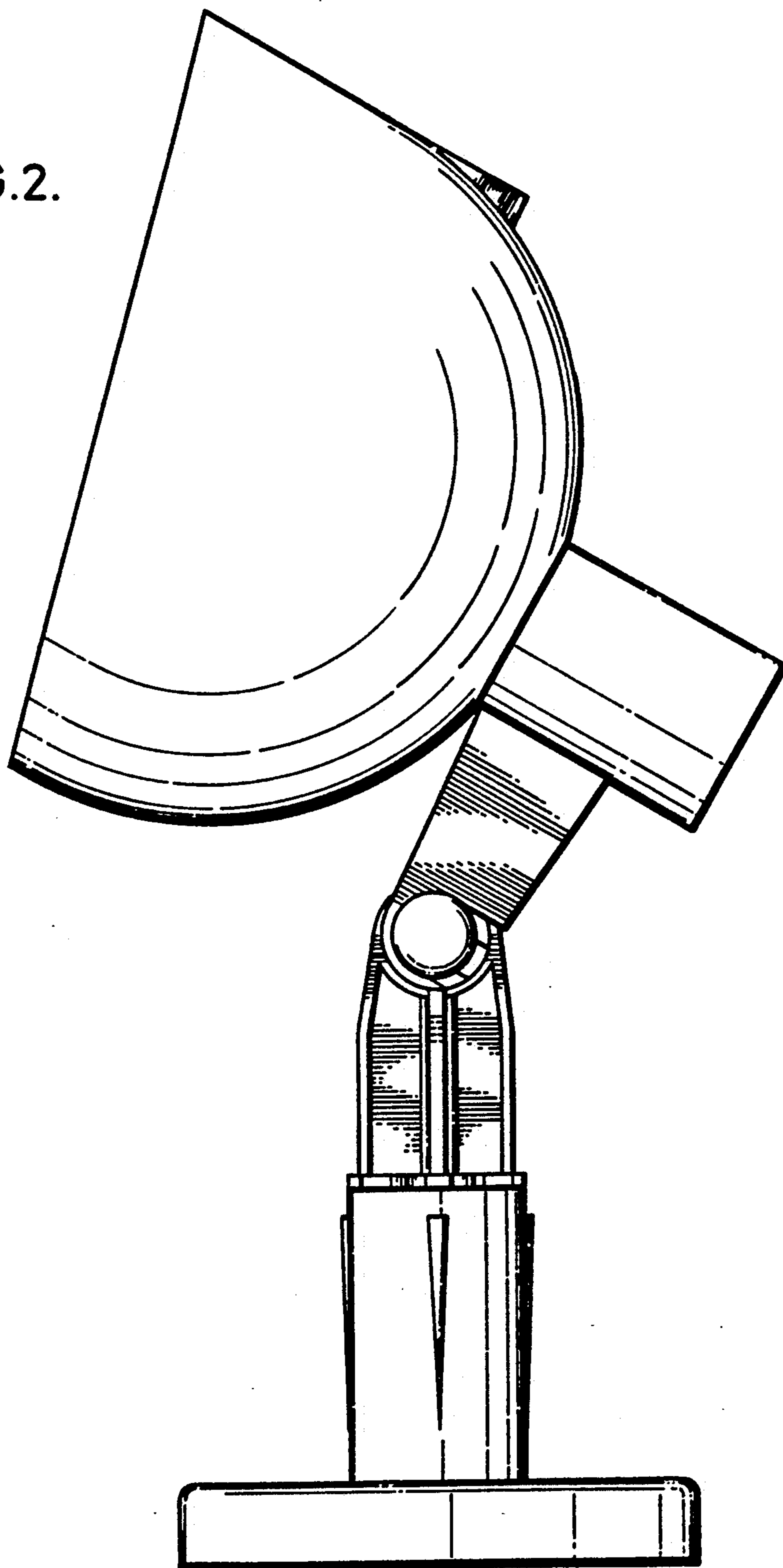


FIG. 3.

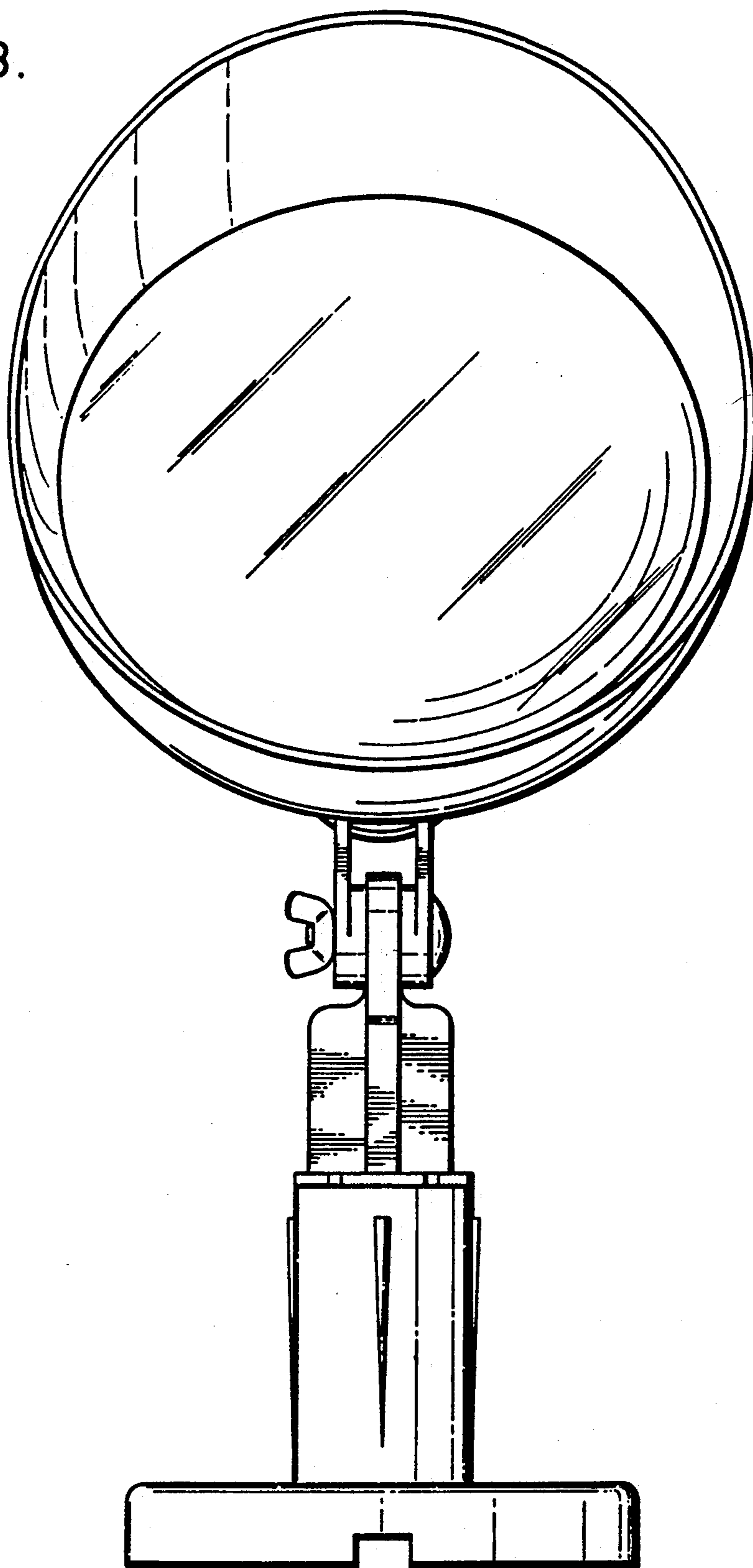


FIG. 4.

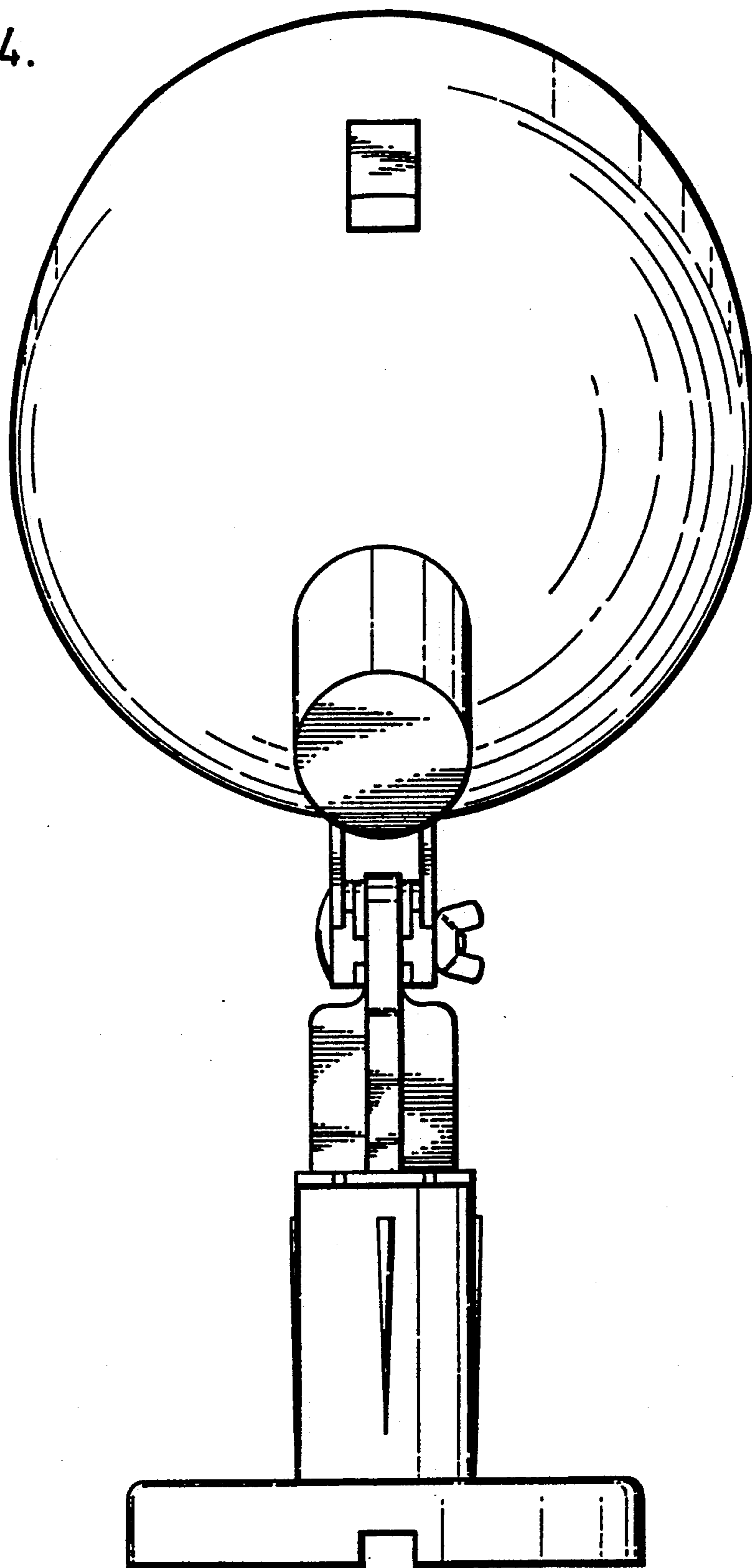


FIG. 5.

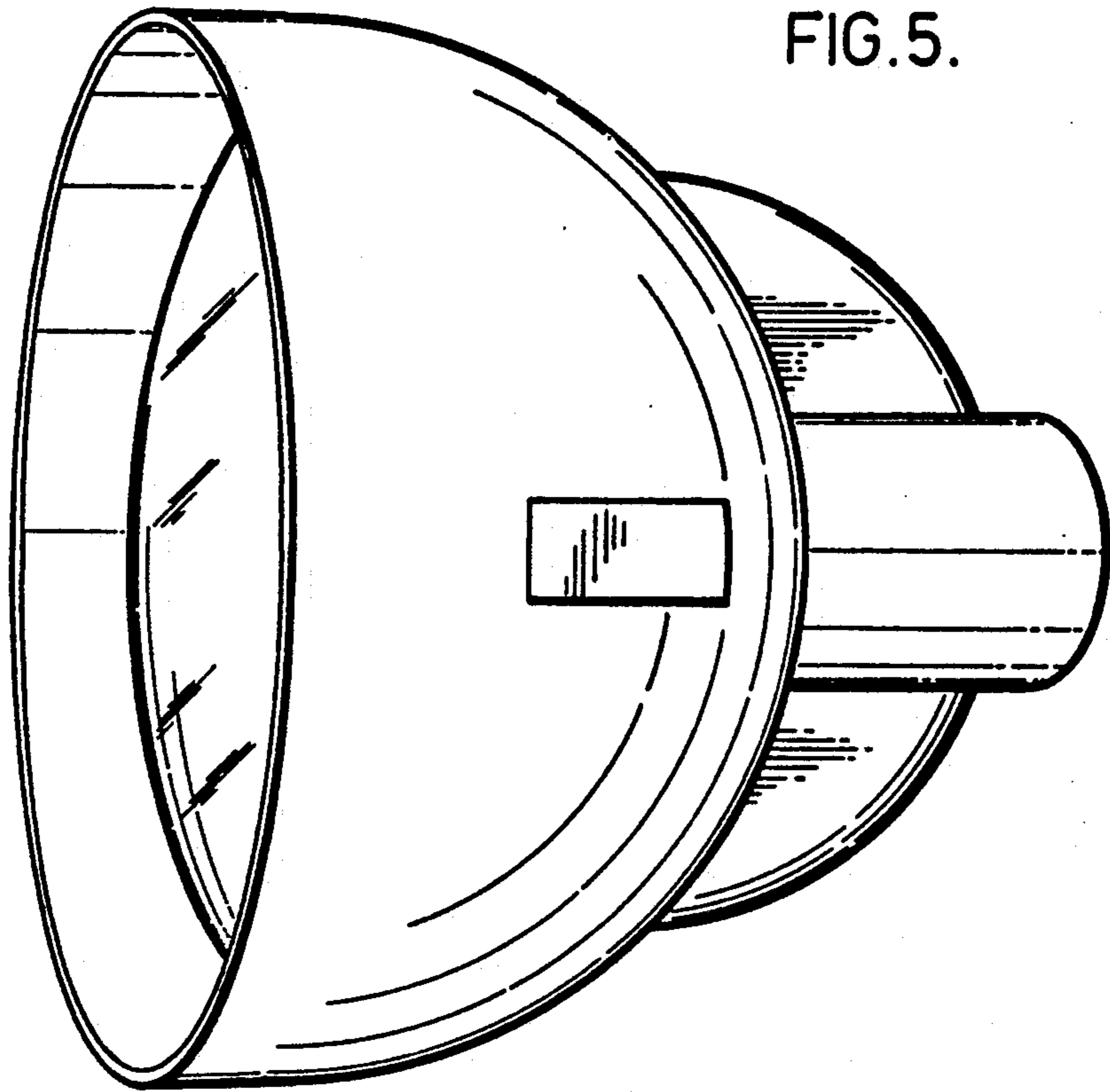


FIG. 6.

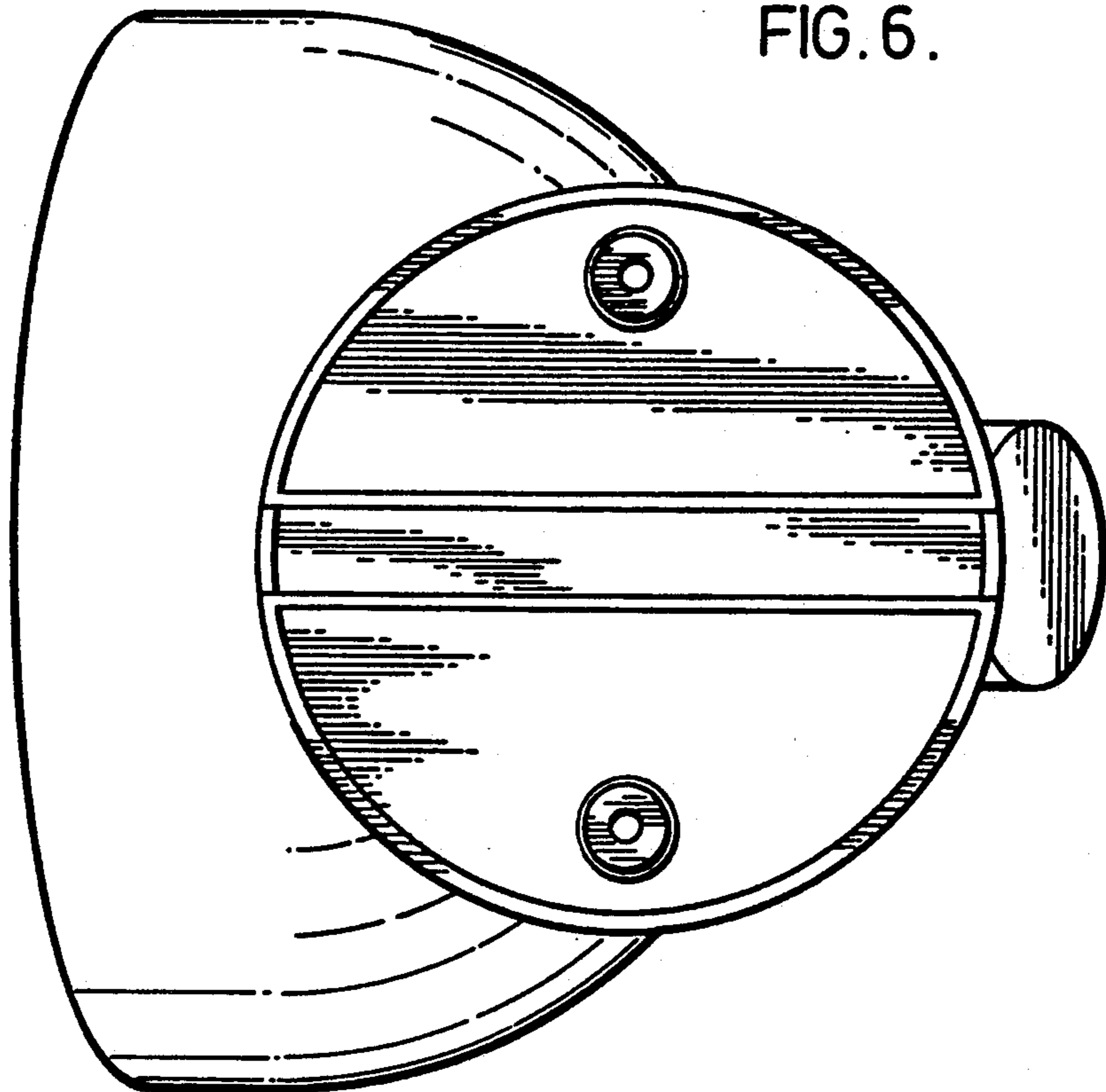


FIG. 7.

