

[54] ELECTROLUMINESCENT LAMP OR SIMILAR ARTICLE

[76] Inventor: Anthony J. Michael, 8123 Virginia Park, Centerline, Mich. 48015

[**] Term: 14 Years

[21] Appl. No.: 276,339

[22] Filed: Nov. 25, 1988

[52] U.S. Cl. D26/24; D26/128

[58] Field of Search D26/118, 128-137, D26/72, 80-92, 96; 362/326-361, 84, 806, 226, 147, 432, 404; 313/483, 491; 315/56, 57, 58

[56] References Cited

U.S. PATENT DOCUMENTS

- D. 205,004 6/1966 Puszka D26/122
- D. 748,753 1/1904 Korff 362/332
- 3,012,164 12/1961 Franzone et al. 313/483

- 3,048,694 8/1962 Faulk D26/118 X
- 3,056,898 10/1962 Knochel et al. 313/483
- 3,247,369 4/1966 Nanny 362/328
- 3,307,030 2/1967 De Francisco 362/226
- 3,317,722 5/1967 Whitney 362/84 X
- 3,701,898 10/1972 McNamara, Jr. 362/346 X

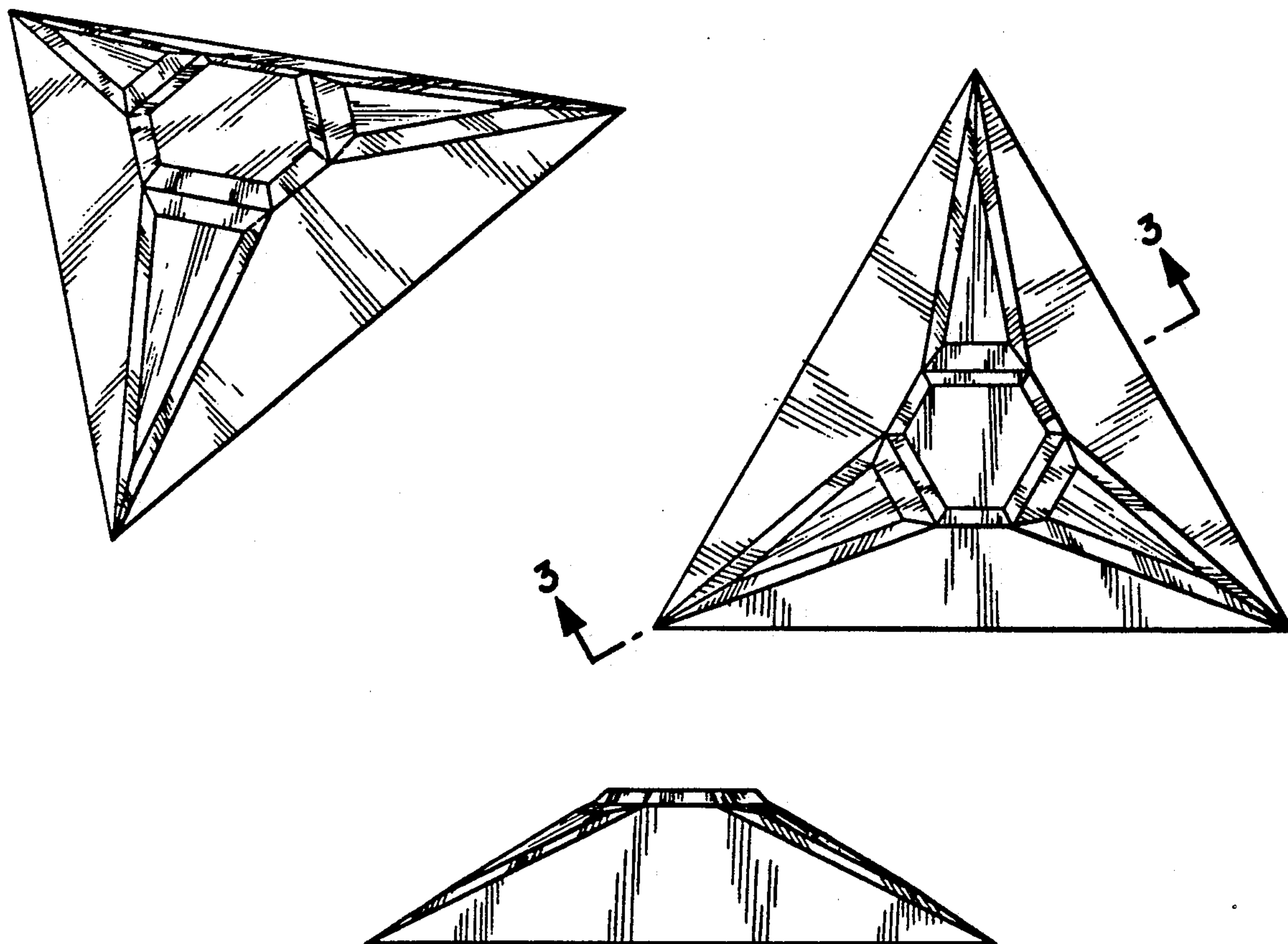
Primary Examiner—Susan J. Lucas

[57] CLAIM

The ornamental design for a electroluminescent lamp or similar article, as shown and described.

DESCRIPTION

FIG. 1 is a perspective view of a electroluminescent lamp or similar article showing my new design; and FIG. 2 is a top plan view thereof; and FIG. 3 is a cross-sectional view thereof taken along the line 3—3 of FIG. 2; and FIG. 4 is a side elevational view thereof; and FIG. 5 is a bottom plan view thereof.



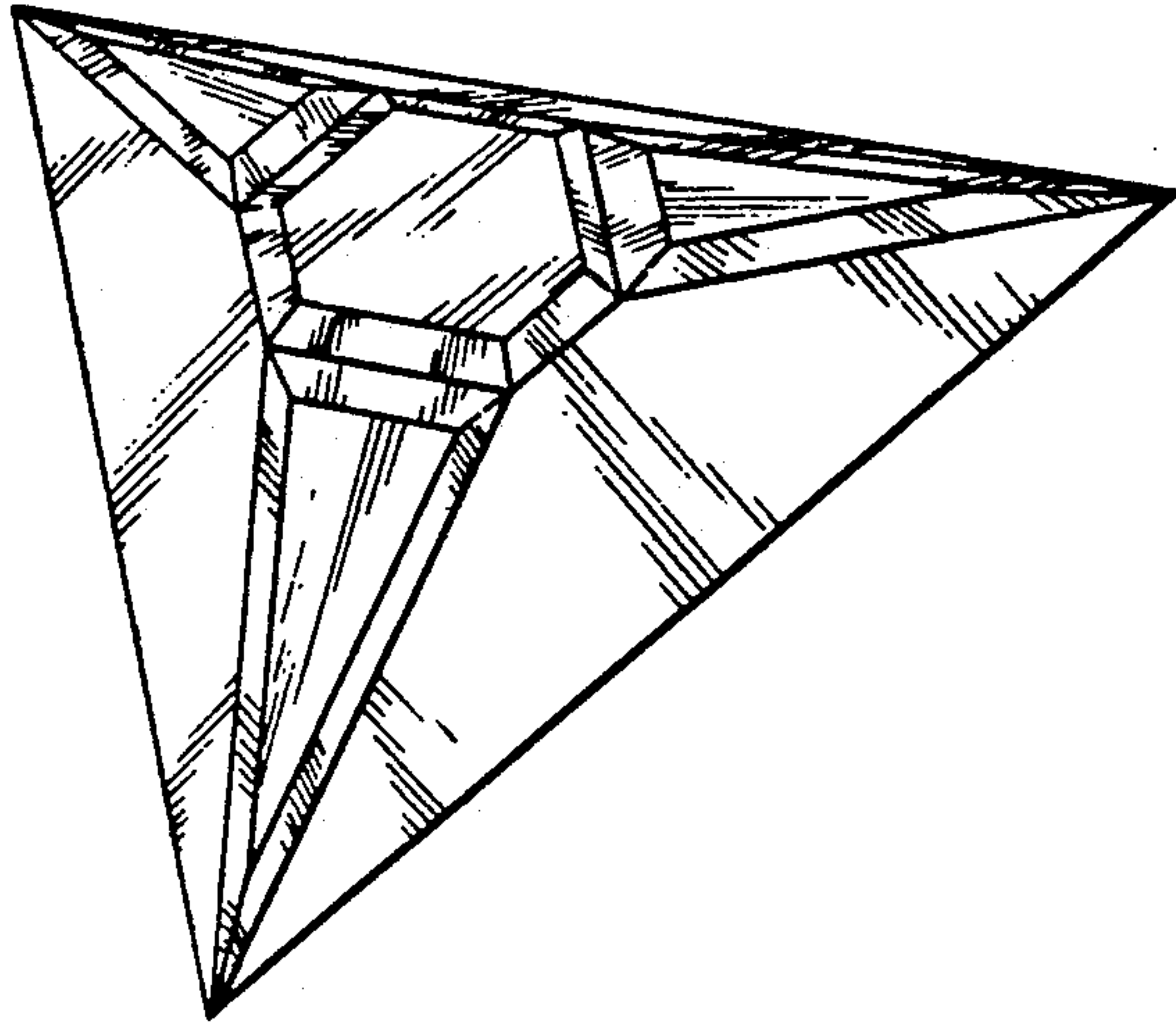


FIG-1

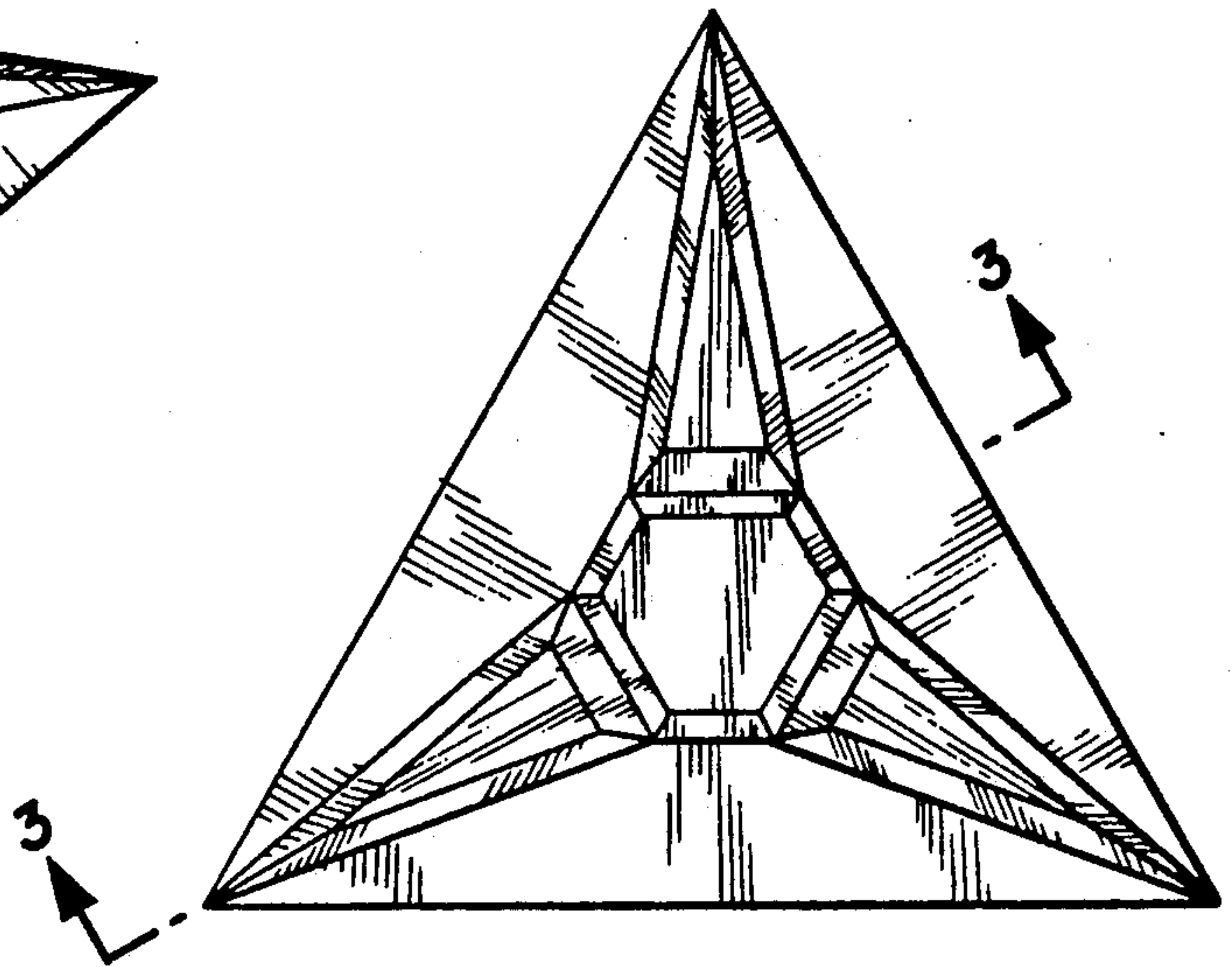


FIG-2

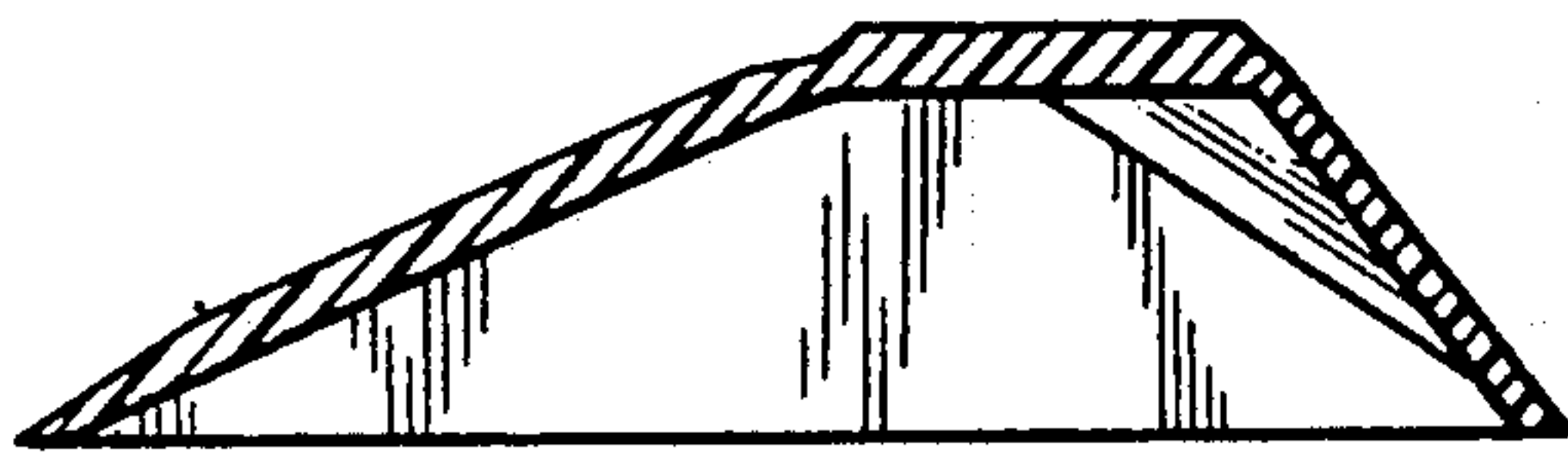


FIG-3

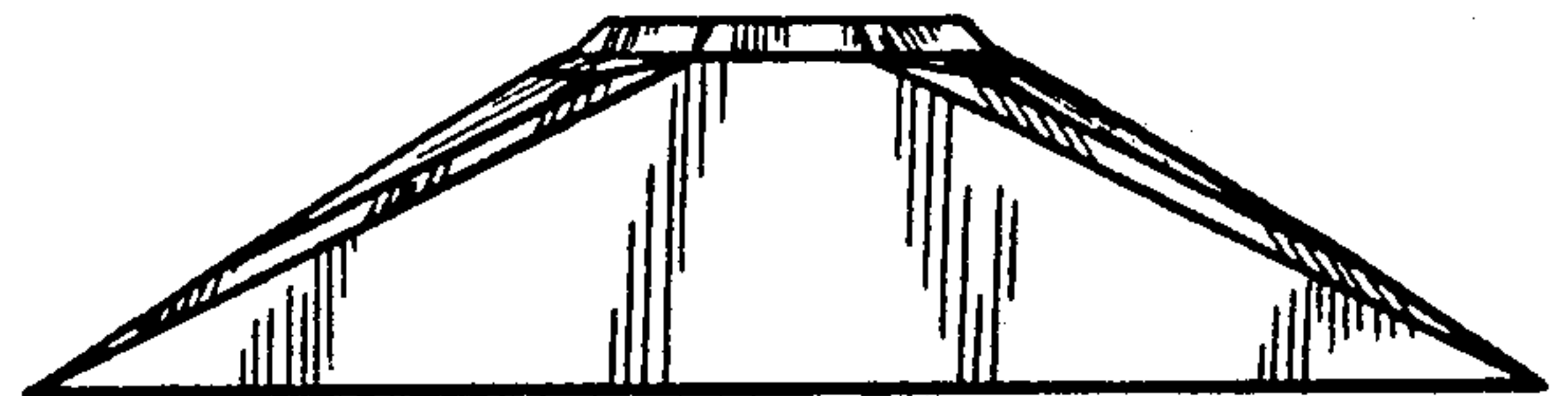


FIG-4

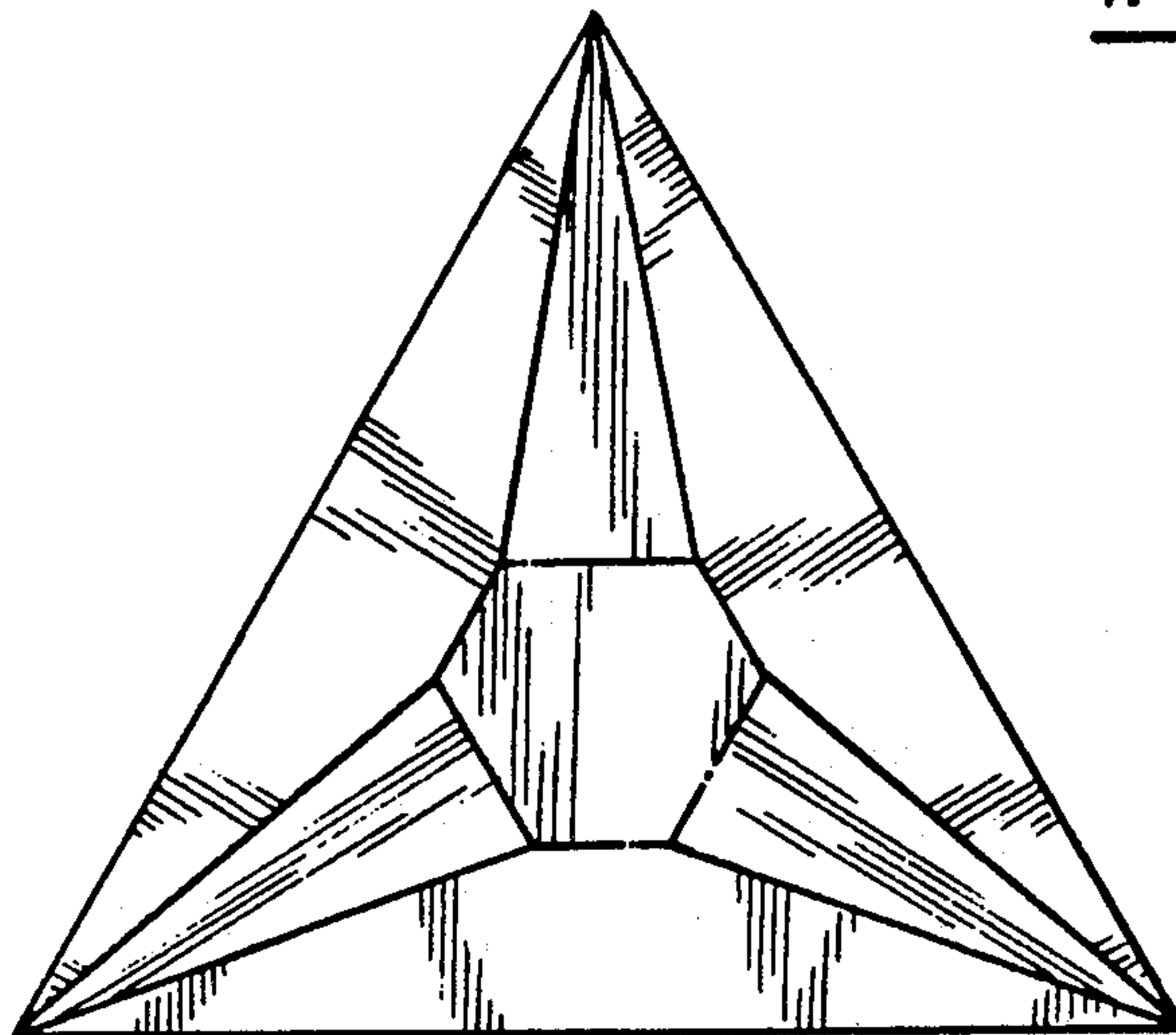


FIG-5