

[54] REPLACEMENT DIAPHRAGM FOR AN IRRIGATION SYSTEM VALVE

[76] Inventor: John M. Baker, 2918 Cape Dr., Corona, Calif. 91720

[**] Term: 14 Years

[21] Appl. No.: 273,498

[22] Filed: Nov. 21, 1988

[52] U.S. Cl. D23/249

[58] Field of Search D23/233-237, D23/244-249, 269; 251/61.1, 331

[56] References Cited

U.S. PATENT DOCUMENTS

D. 200,031	1/1965	Parfonry	D23/249
D. 268,048	2/1983	Veda	D23/248
D. 268,049	2/1983	Veda	D23/248
D. 290,640	6/1987	Andersson	D23/249
D. 300,554	4/1989	Kiyota et al.	D23/249
1,783,281	12/1930	Cox	251/331 X
1,939,911	12/1933	McCune	251/331 X
2,716,017	8/1955	Linker	251/331
3,508,576	4/1970	Gross	251/331 X
3,918,495	11/1975	Abrahams	251/331 X
4,244,554	1/1981	DiMauro et al.	251/61.1

Primary Examiner—James R. Largen
Attorney, Agent, or Firm—G. Donald Weber, Jr.

[57] CLAIM

The design for replacement diaphragm for an irrigation system valve, as shown and described.

DESCRIPTION

FIG. 1 is a top perspective view of a replacement dia-

phragm for an irrigation system valve showing my new design;

FIG. 2 is a side elevational view thereof;

FIG. 3 is a top plan view thereof;

FIG. 4 is another side elevational view taken 90 degrees to the left of the side shown in FIG. 2;

FIG. 5 is a third side elevational view showing the side opposite that shown in FIG. 4;

FIG. 6 is a fourth side elevational view showing the side opposite that shown in FIG. 2;

FIG. 7 is a bottom plan view thereof;

FIG. 8 is a cross-sectional view taken on line 8—8 of FIG. 7;

FIG. 9 is a top plan view of a second embodiment thereof;

FIG. 10 is a top plan view of a third embodiment thereof;

FIG. 11 is a top plan view of a fourth embodiment thereof;

FIG. 12 is a top plan view of a fifth embodiment thereof;

FIG. 13 is a top plan view of a sixth embodiment thereof;

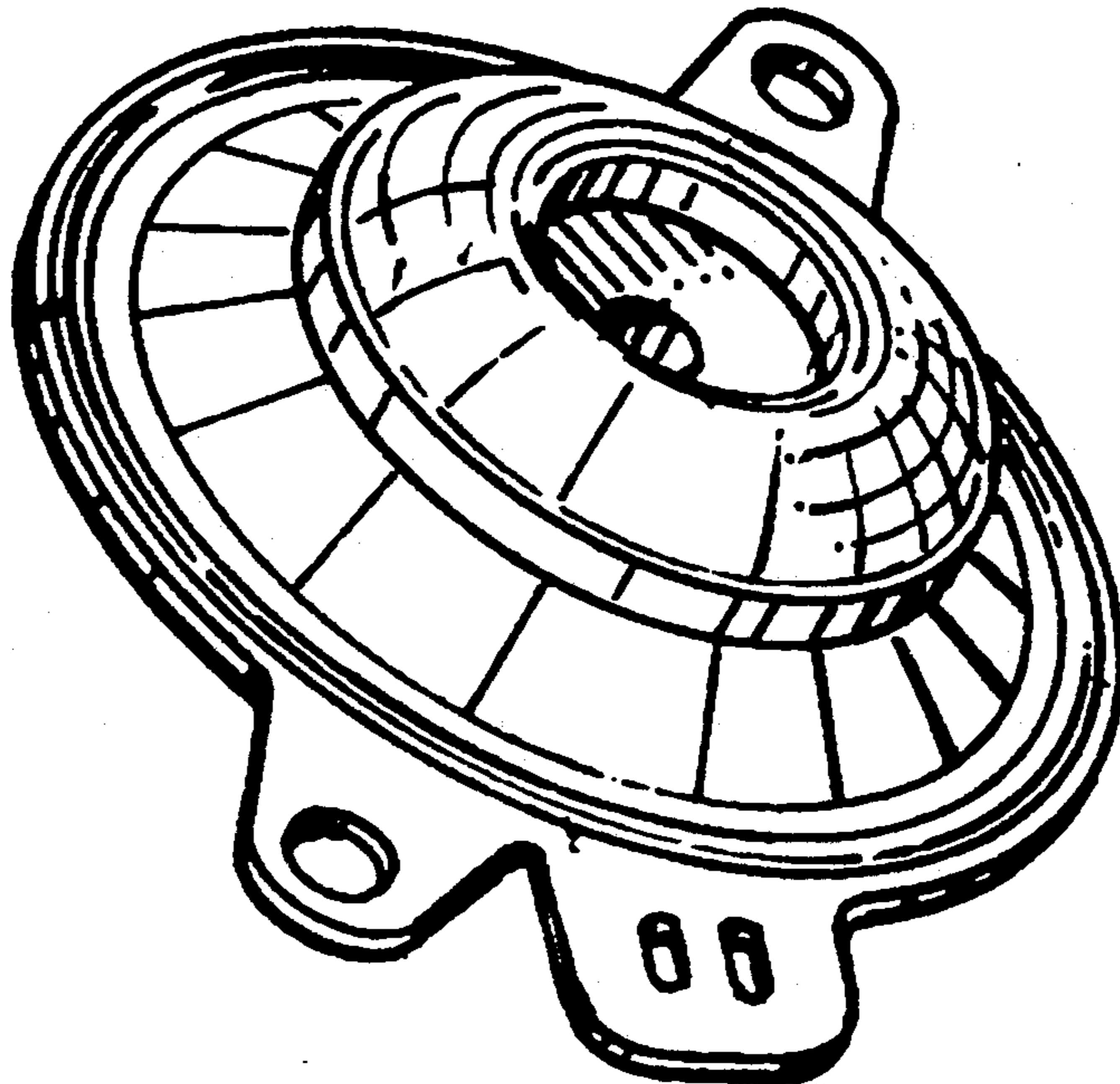
FIG. 14 is a top plan view of a seventh embodiment thereof;

FIG. 15 is a top plan view of a eighth embodiment thereof;

FIG. 16 is a top plan view of a ninth embodiment thereof;

FIG. 17 is a top plan view of a tenth embodiment thereof; and

FIG. 18 is a top plan view of an eleventh embodiment thereof.



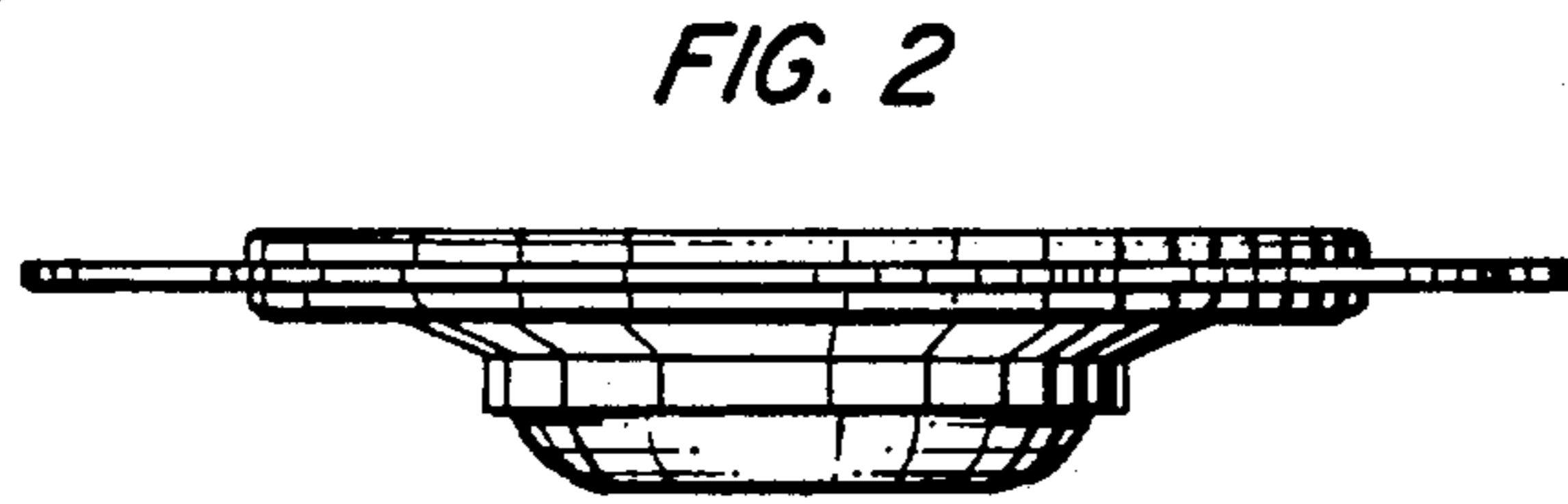
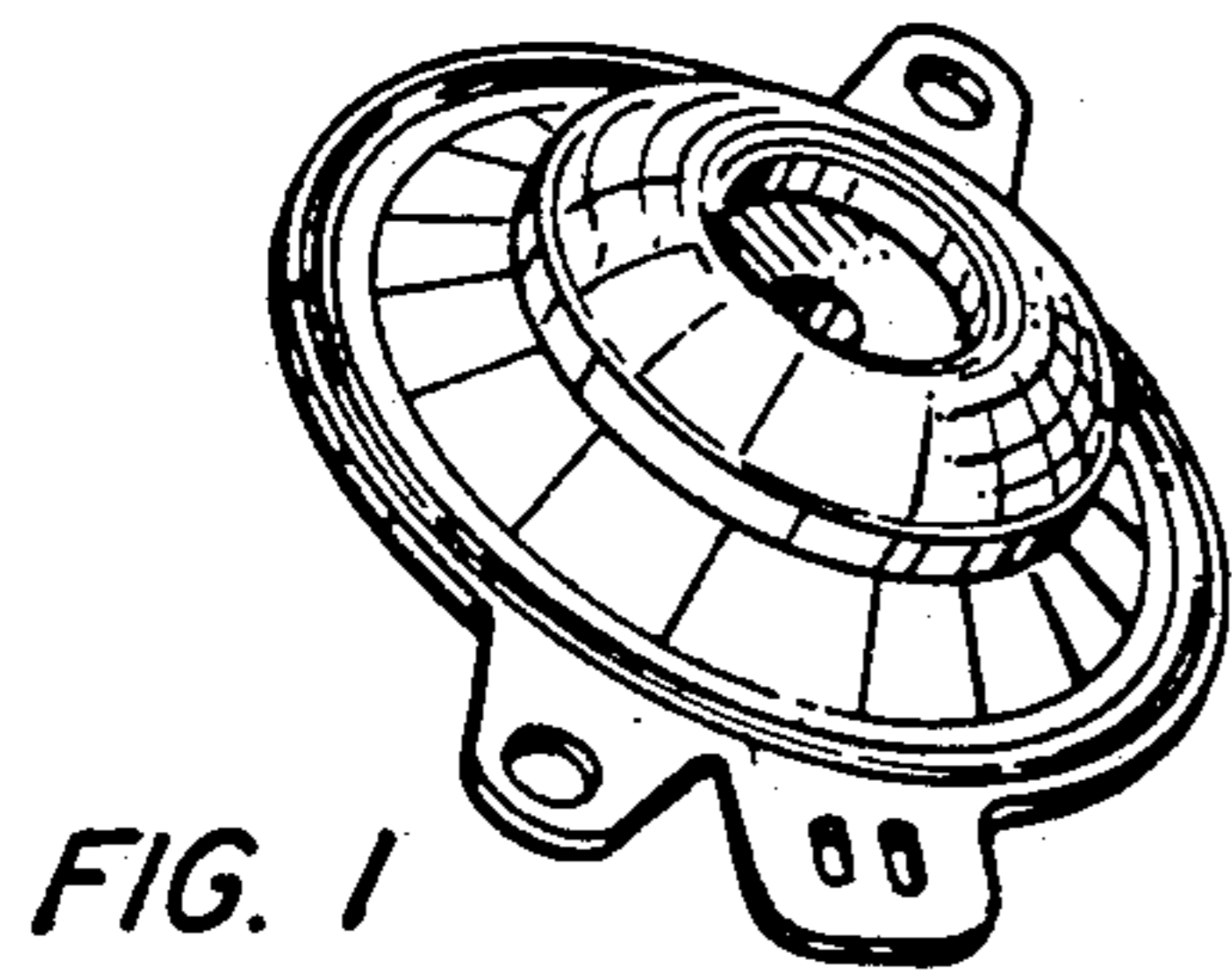


FIG. 4



FIG. 3

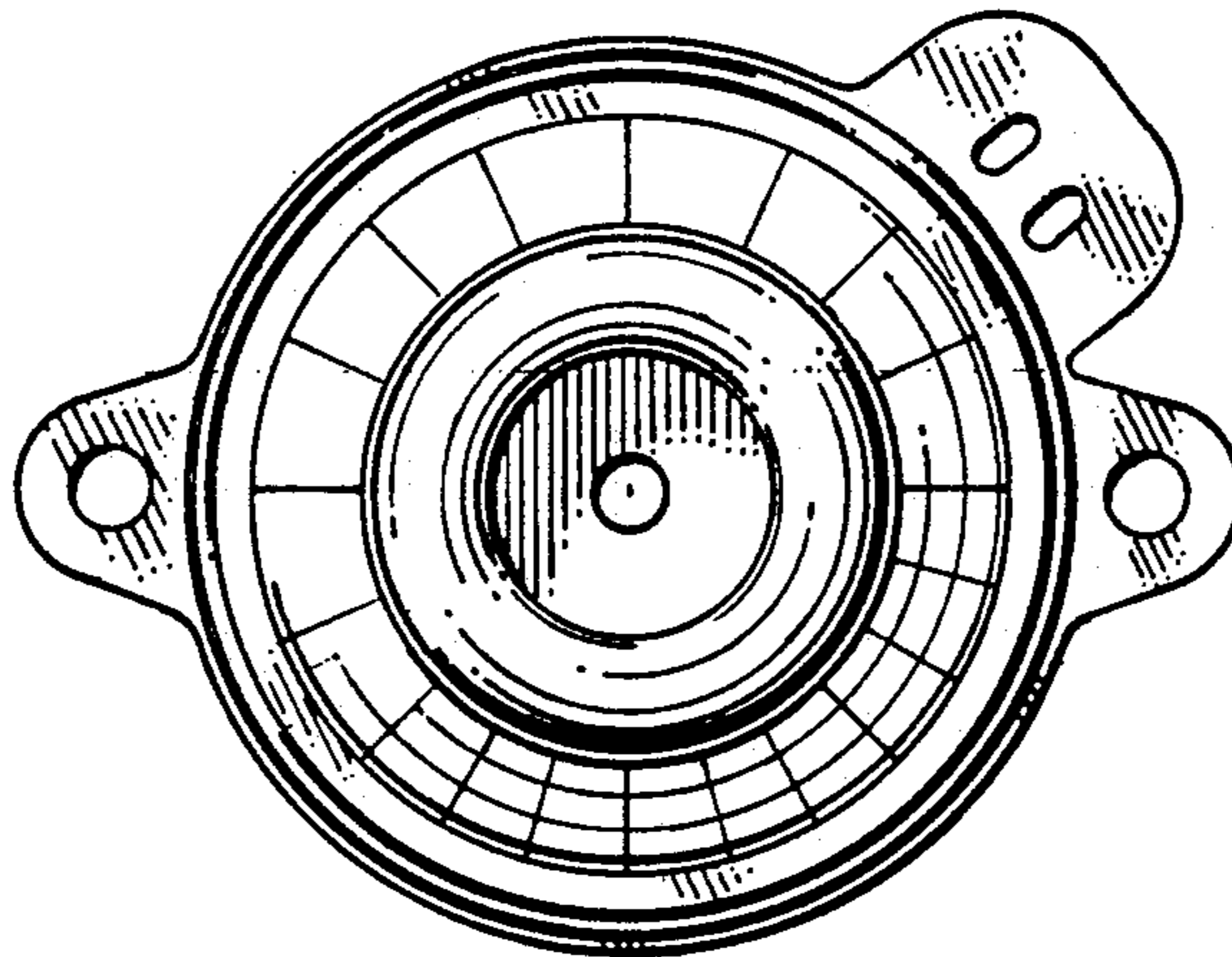


FIG. 5

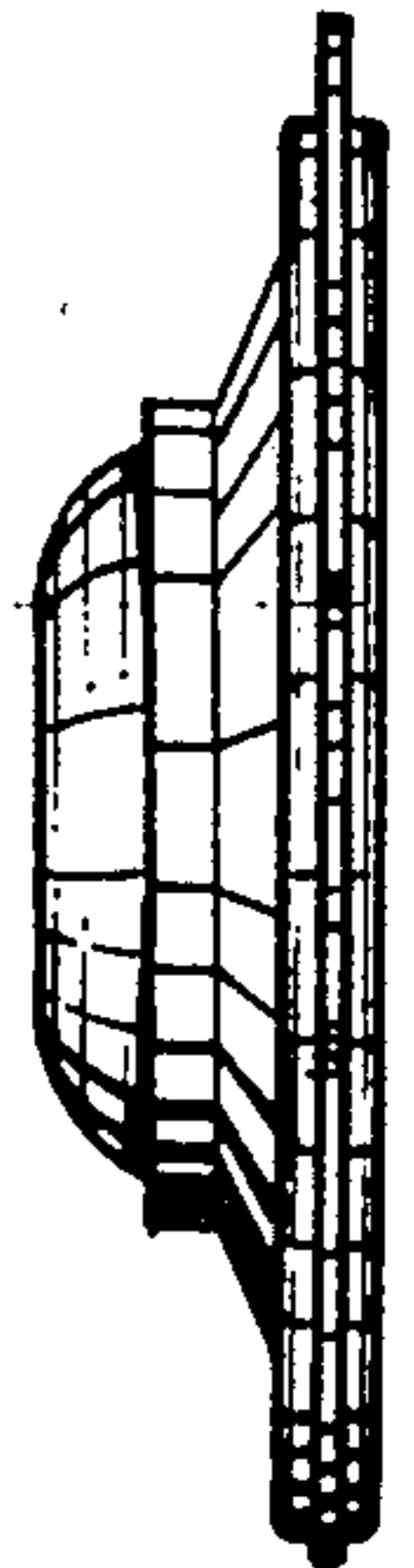


FIG. 6



FIG. 8

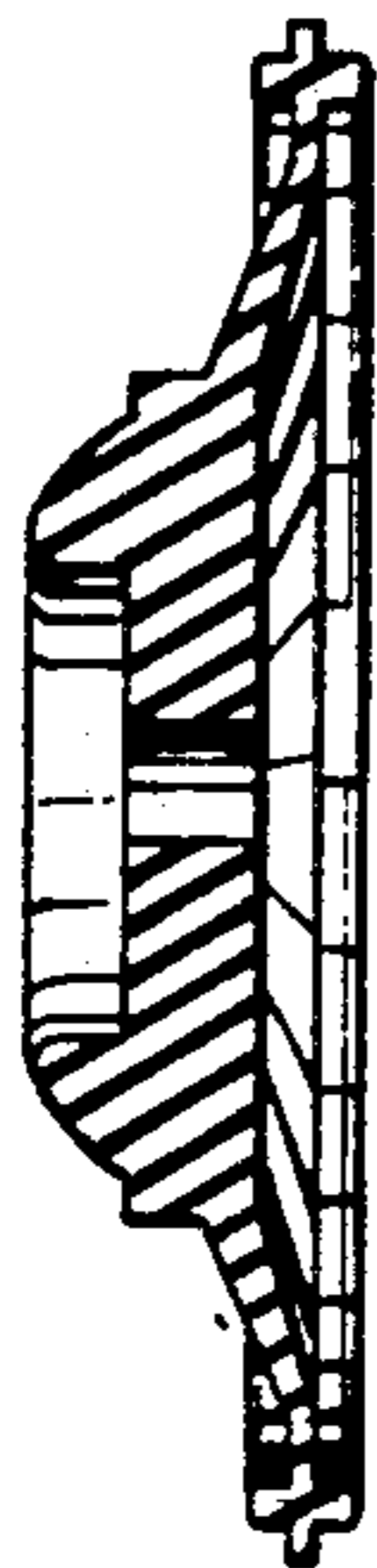


FIG. 7

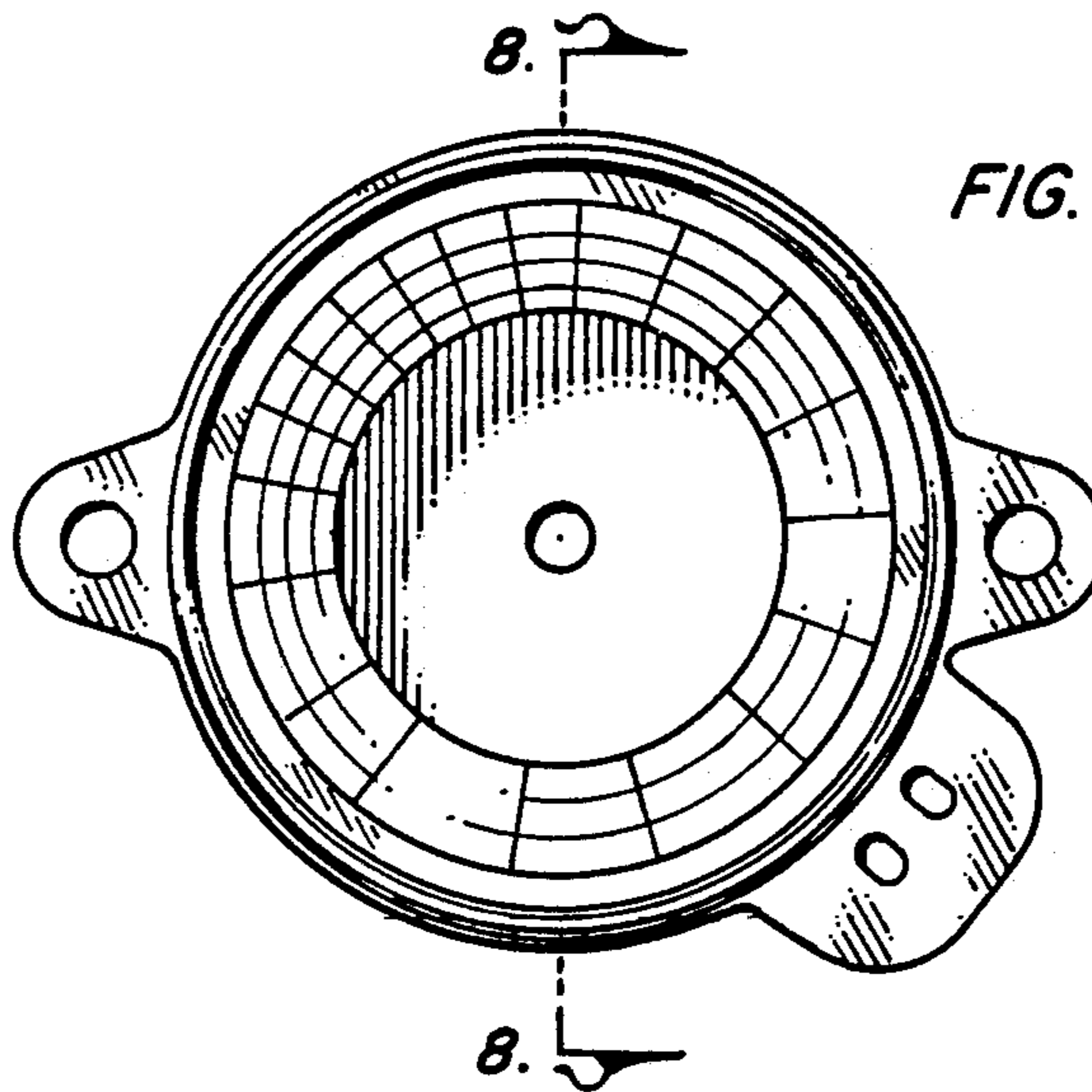


FIG. 9

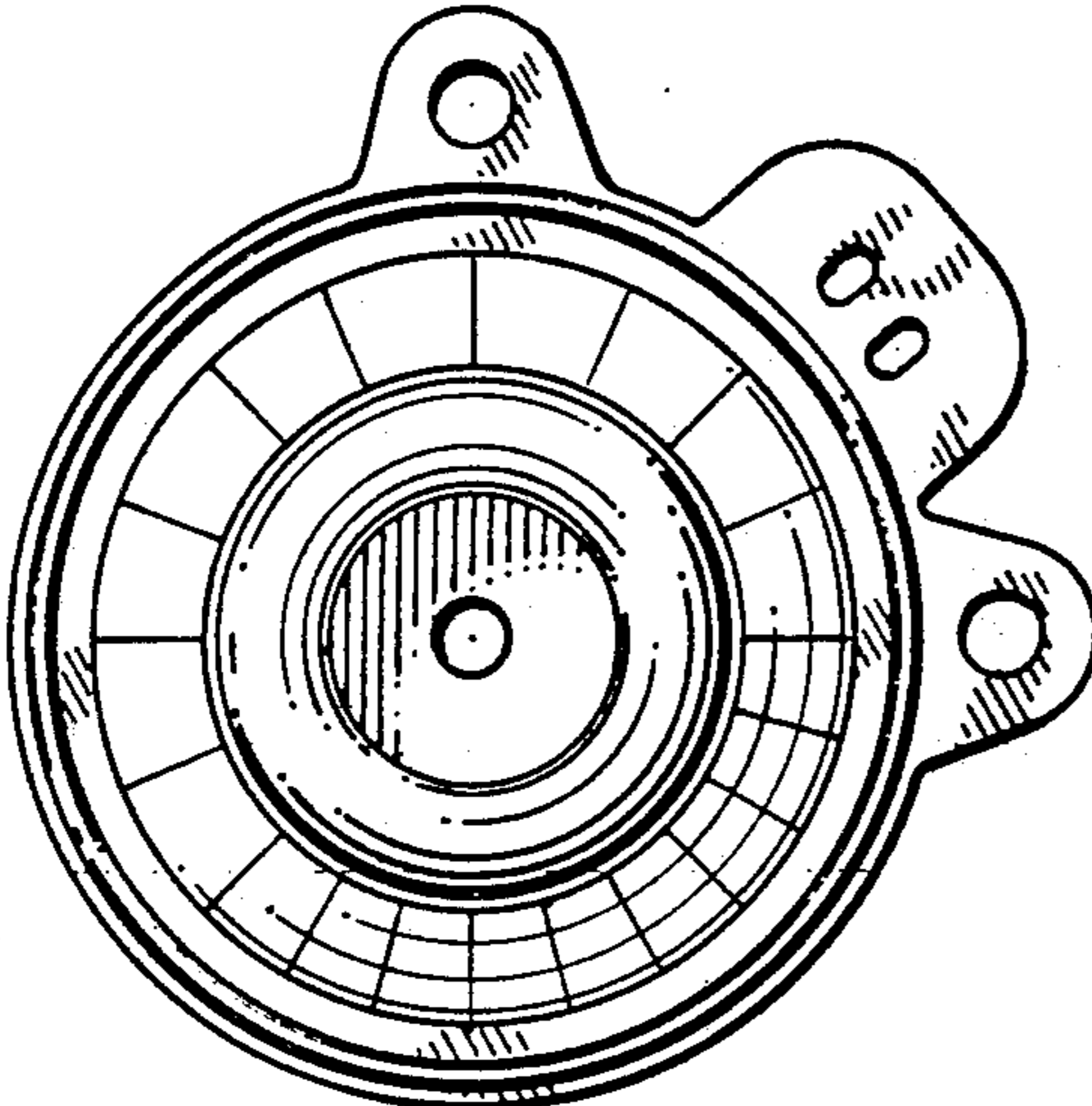


FIG. 12

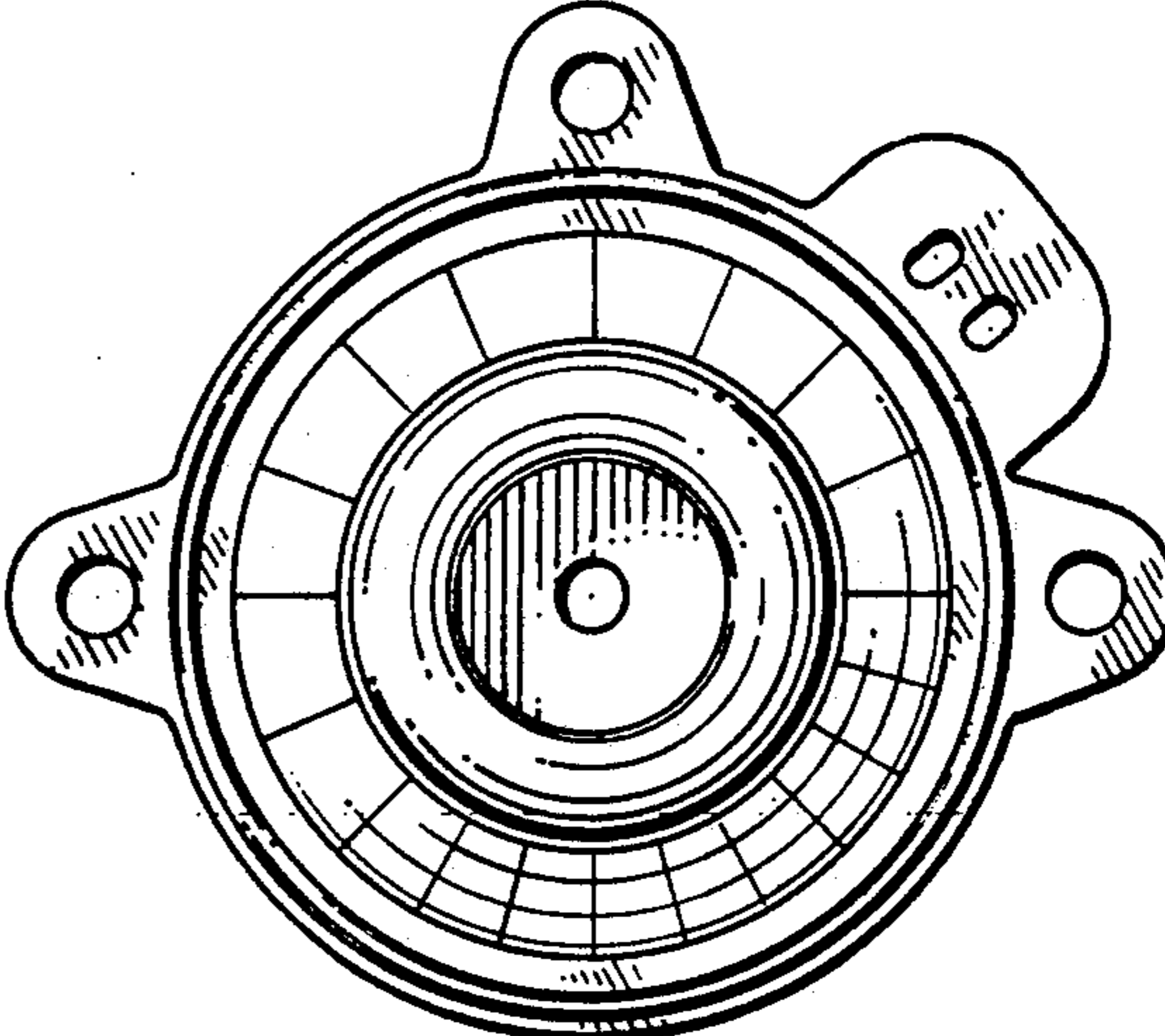


FIG. 10

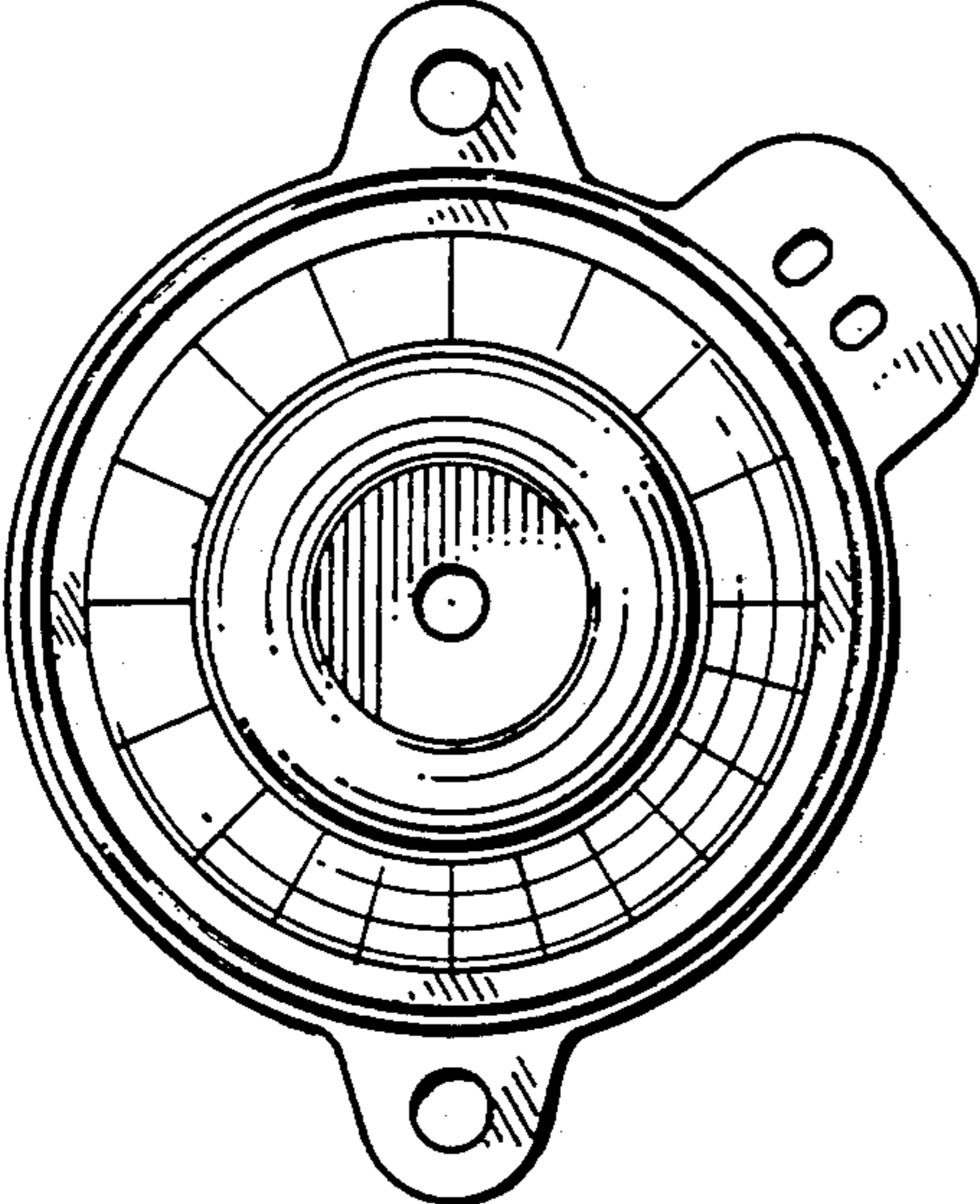


FIG. 13

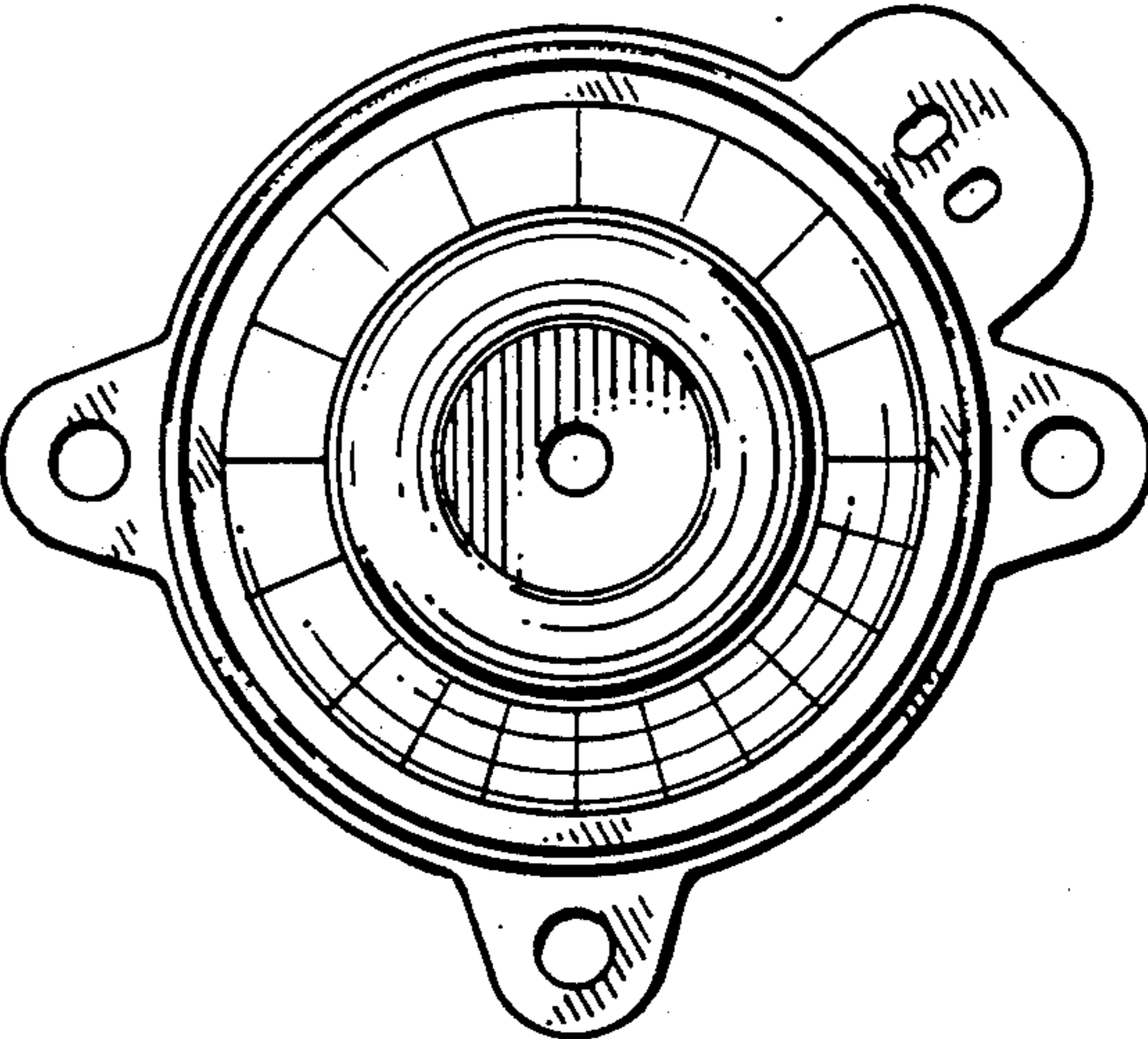


FIG. 11

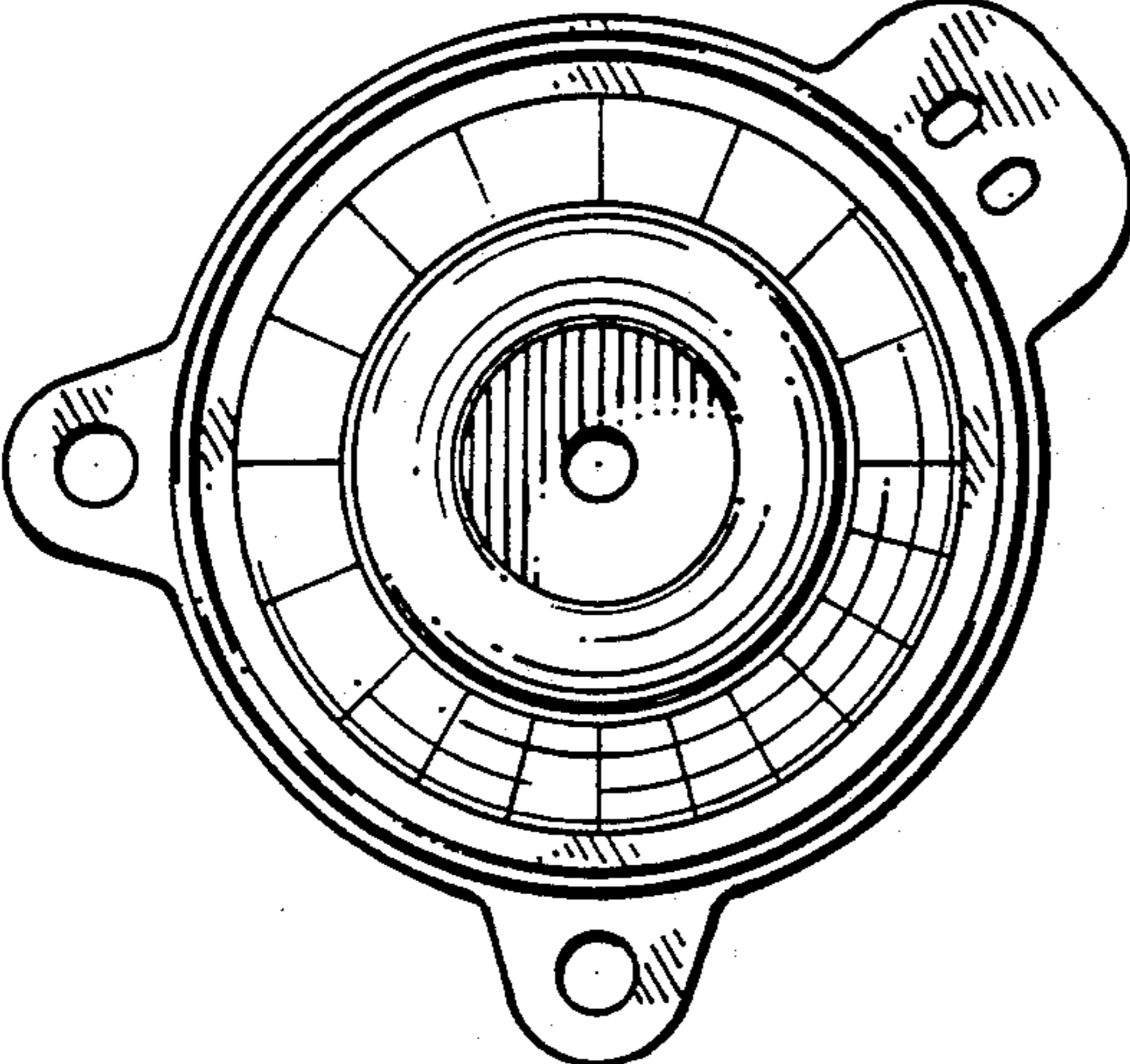


FIG. 14

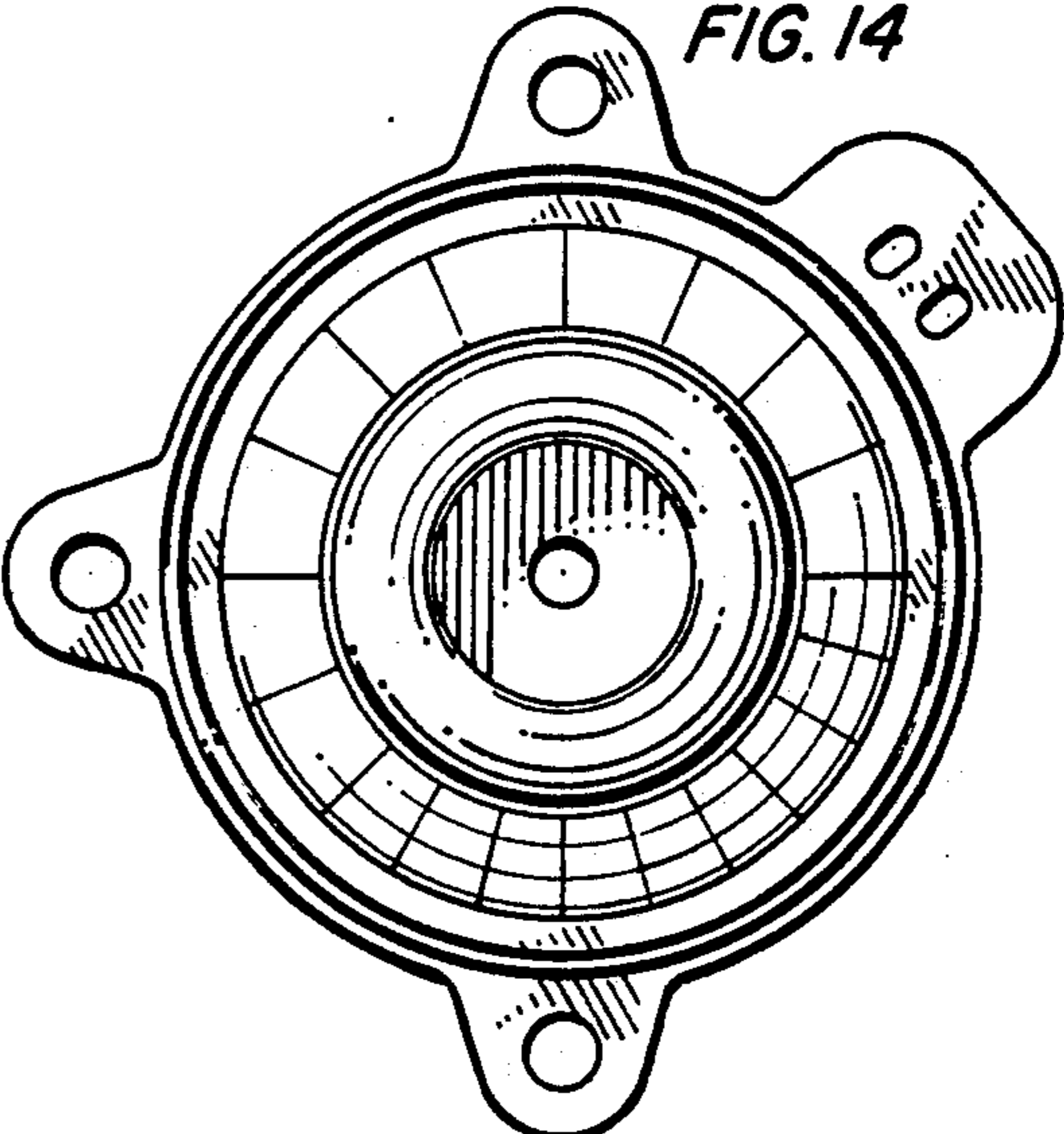


FIG. 15

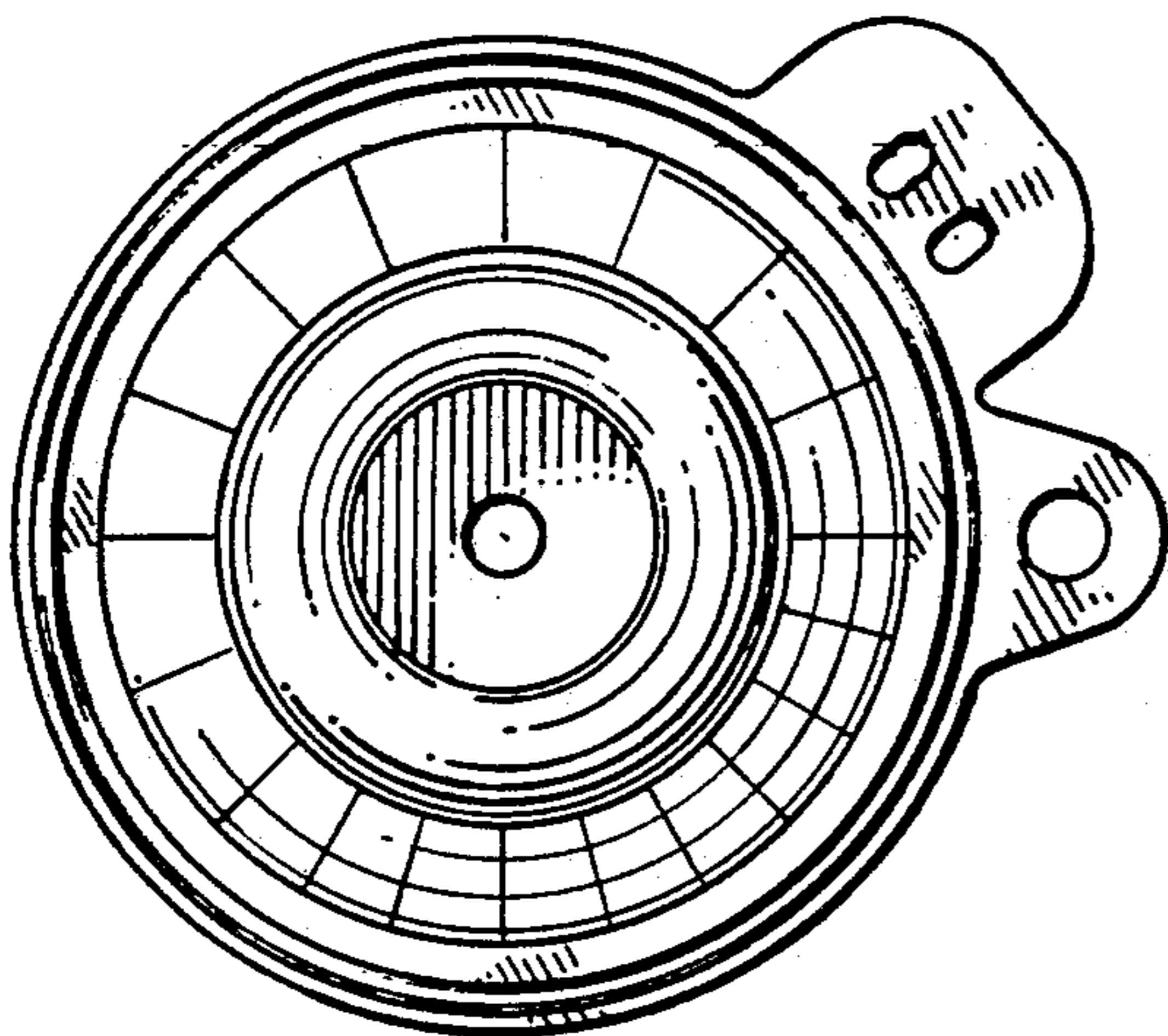


FIG. 18

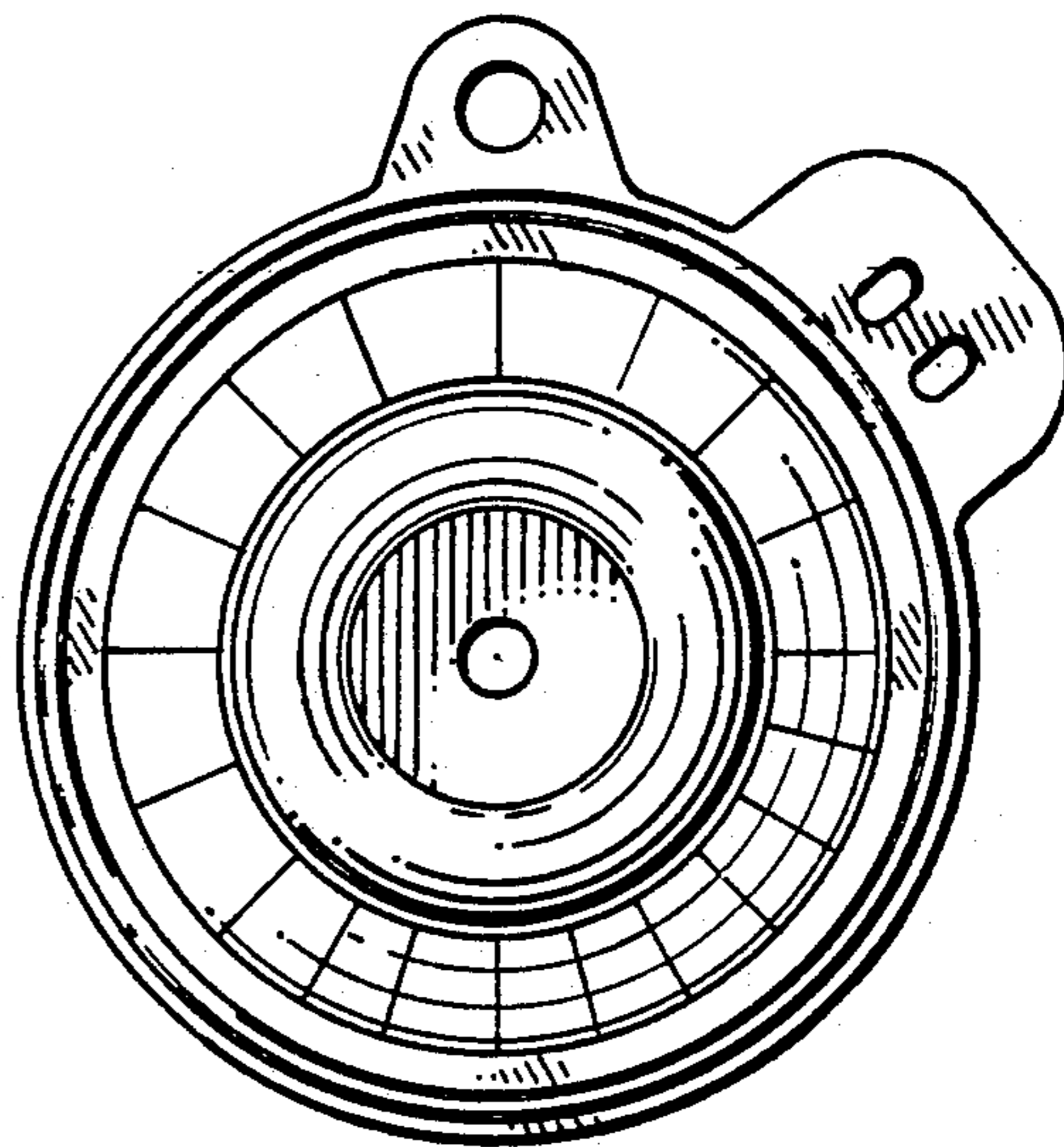


FIG. 16

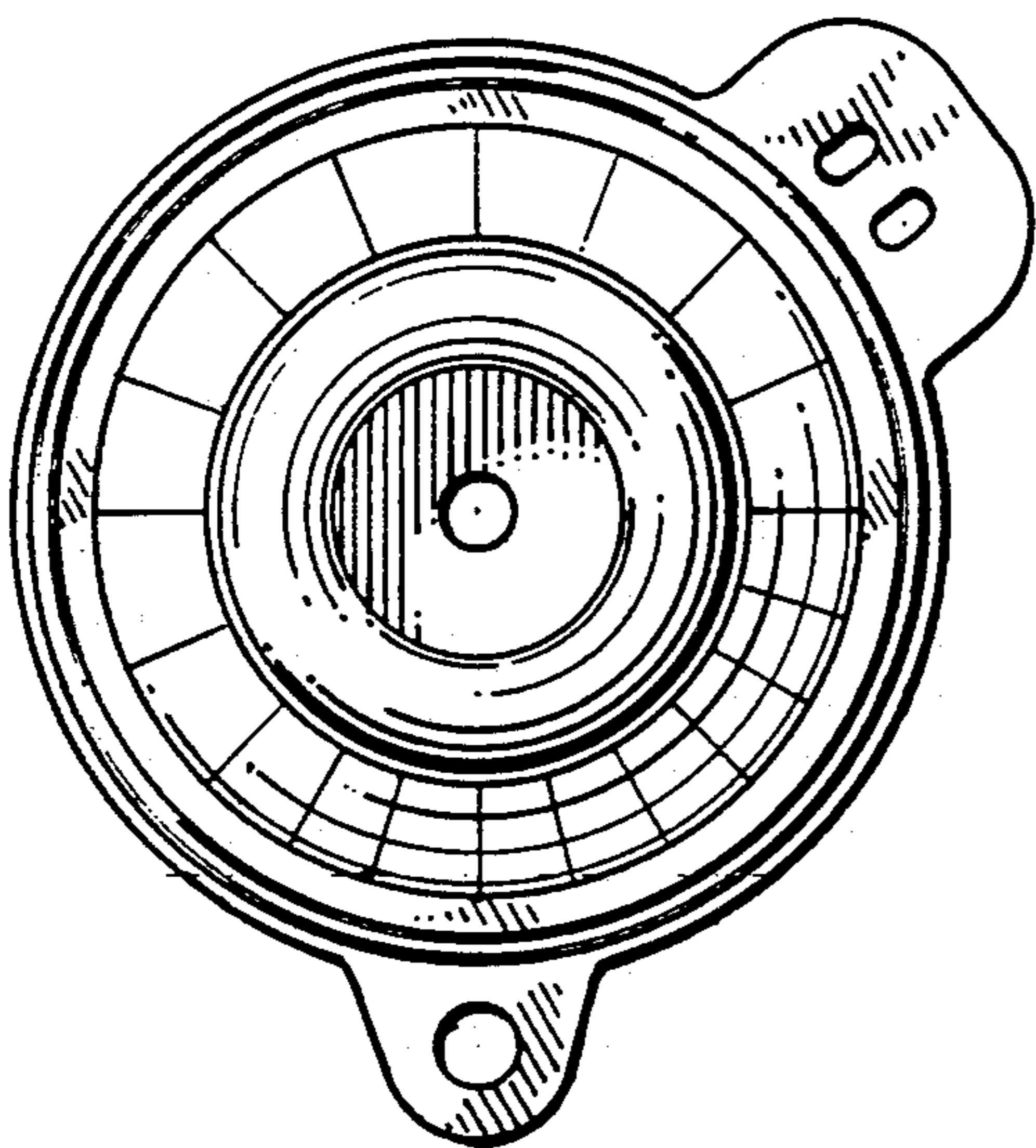


FIG. 17

