

[54] SKATEBOARD LIGHT

[76] Inventors: Zoltan D. Incze, 6075 Porter Rd., North Olmsted, Ohio 44070; Kenneth G. Orwick, 14503 Bayes Ave., Lakewood, Ohio 44107

[**] Term: 14 Years

[21] Appl. No.: 263,330

[22] Filed: Oct. 27, 1988

[52] U.S. Cl. D21/224; D21/37

[58] Field of Search D26/37, 38, 46; D21/224, 227; 362/157, 184, 191, 222, 236, 237, 238, 249

[56] References Cited

U.S. PATENT DOCUMENTS

D. 212,119 8/1968 Castellano D26/38

D. 299,377 1/1989 Garcia D26/37
2,168,939 8/1939 Kraeft 362/72
4,170,337 10/1979 Davis 362/72
4,367,515 1/1983 Beard 362/191
4,618,081 10/1986 Miree 362/72

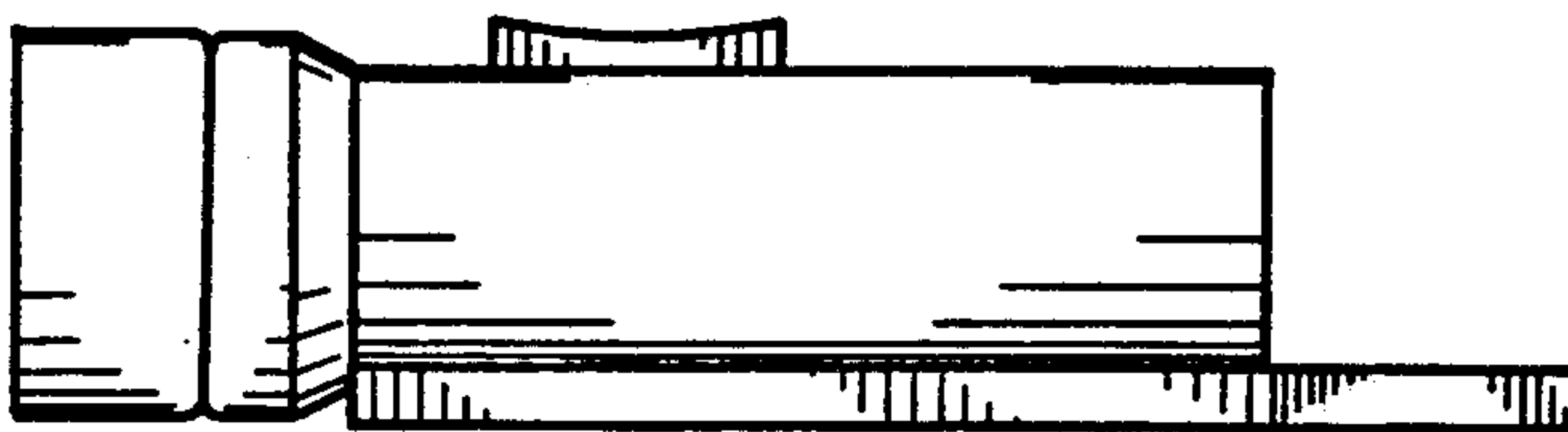
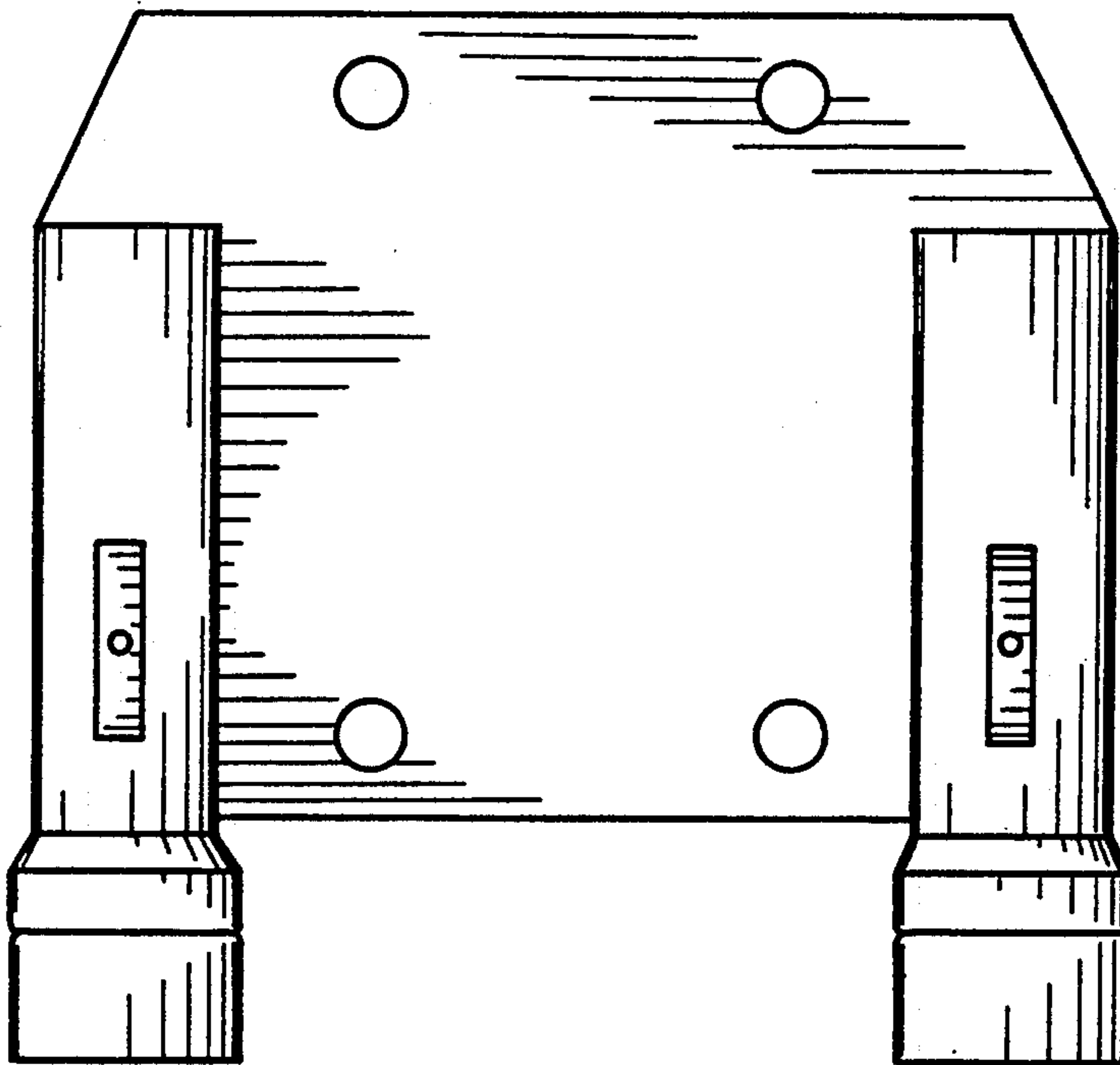
Primary Examiner—Melvin B. Feifer
Assistant Examiner—Philip Hyder
Attorney, Agent, or Firm—Ronald R. Stanley

[57] CLAIM

The ornamental design for a skateboard light, as shown and described.

DESCRIPTION

FIG. 1 is a front elevation view of a skateboard light showing our new design;
FIG. 2 is a top plan view thereof;
FIG. 3 is a right side elevation view thereof; and,
FIG. 4 is a rear elevation view of the skateboard light of FIG. 1.



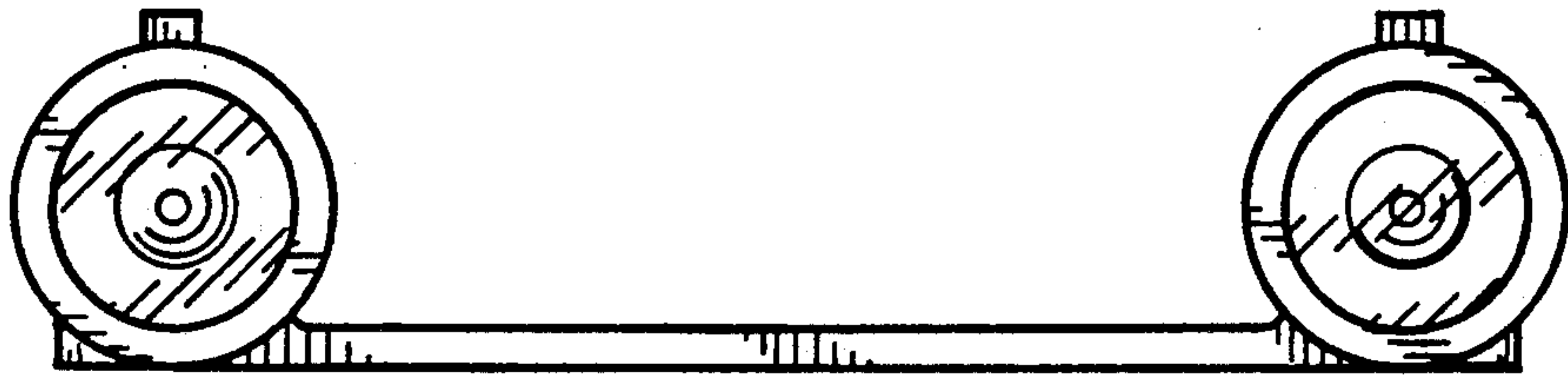


FIG. 1

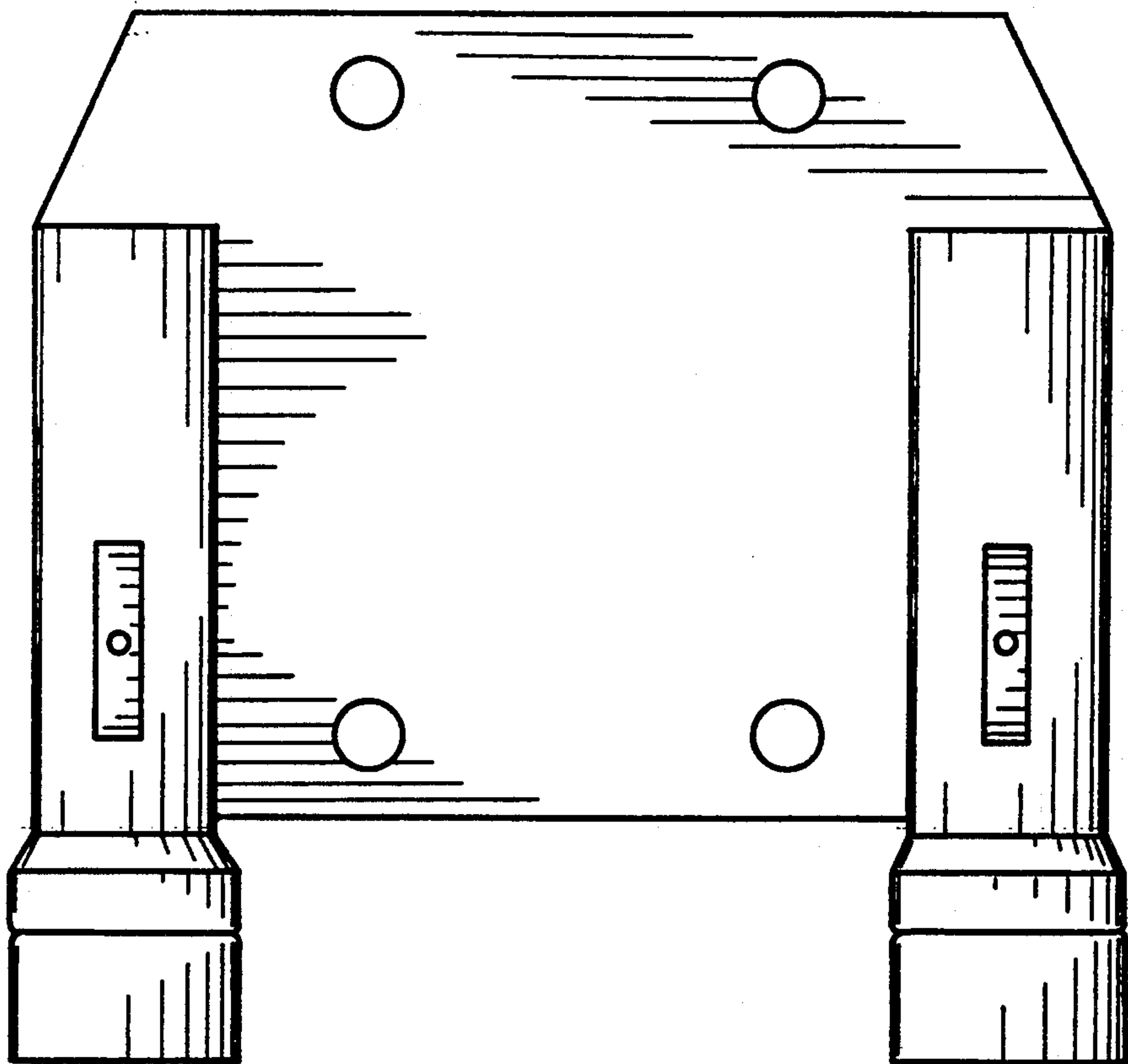


FIG. 2

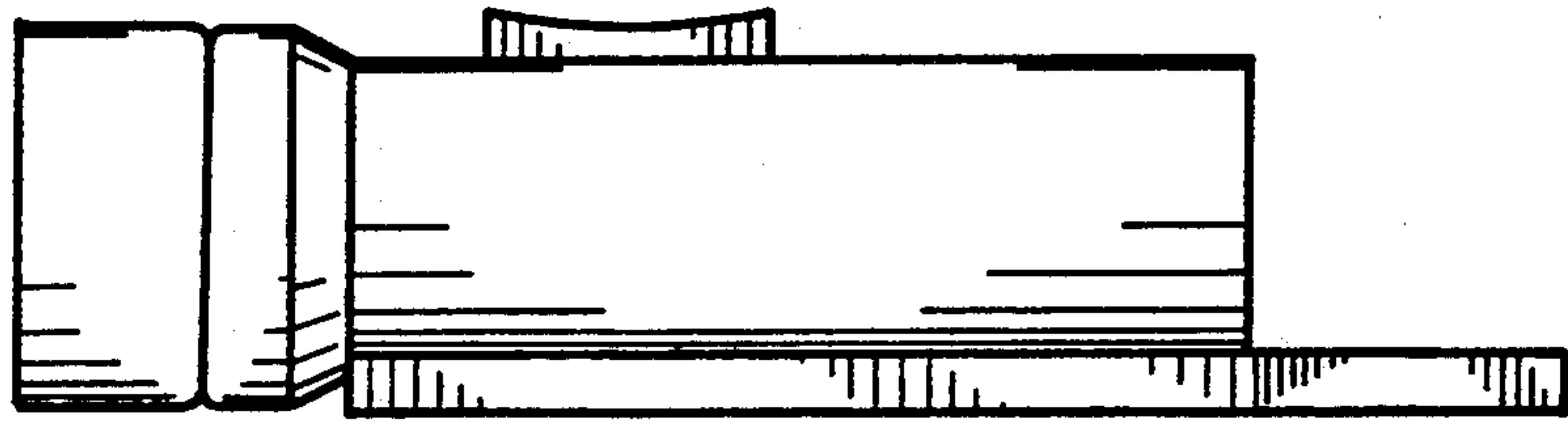


FIG. 3



FIG. 4