

[54] **CONSTRUCTION TOY**

[76] **Inventor:** Emanuel A. Winston, 1448 Old Skokie Rd., Highland Park, Ill. 60035

[**] **Term:** 14 Years

[21] **Appl. No.:** 380,277

[22] **Filed:** Jul. 17, 1989

[52] **U.S. Cl.** D21/108

[58] **Field of Search** D21/108; D25/113, 115, D25/118; 446/102, 105, 107, 109, 112, 114, 116, 120, 122, 125, 104, 106, 108, 111, 113, 115, 117, 121, 124, 128

[56] **References Cited**

U.S. PATENT DOCUMENTS

3,648,404 3/1972 Ogsbury 446/102

FOREIGN PATENT DOCUMENTS

734567 8/1955 United Kingdom 446/128

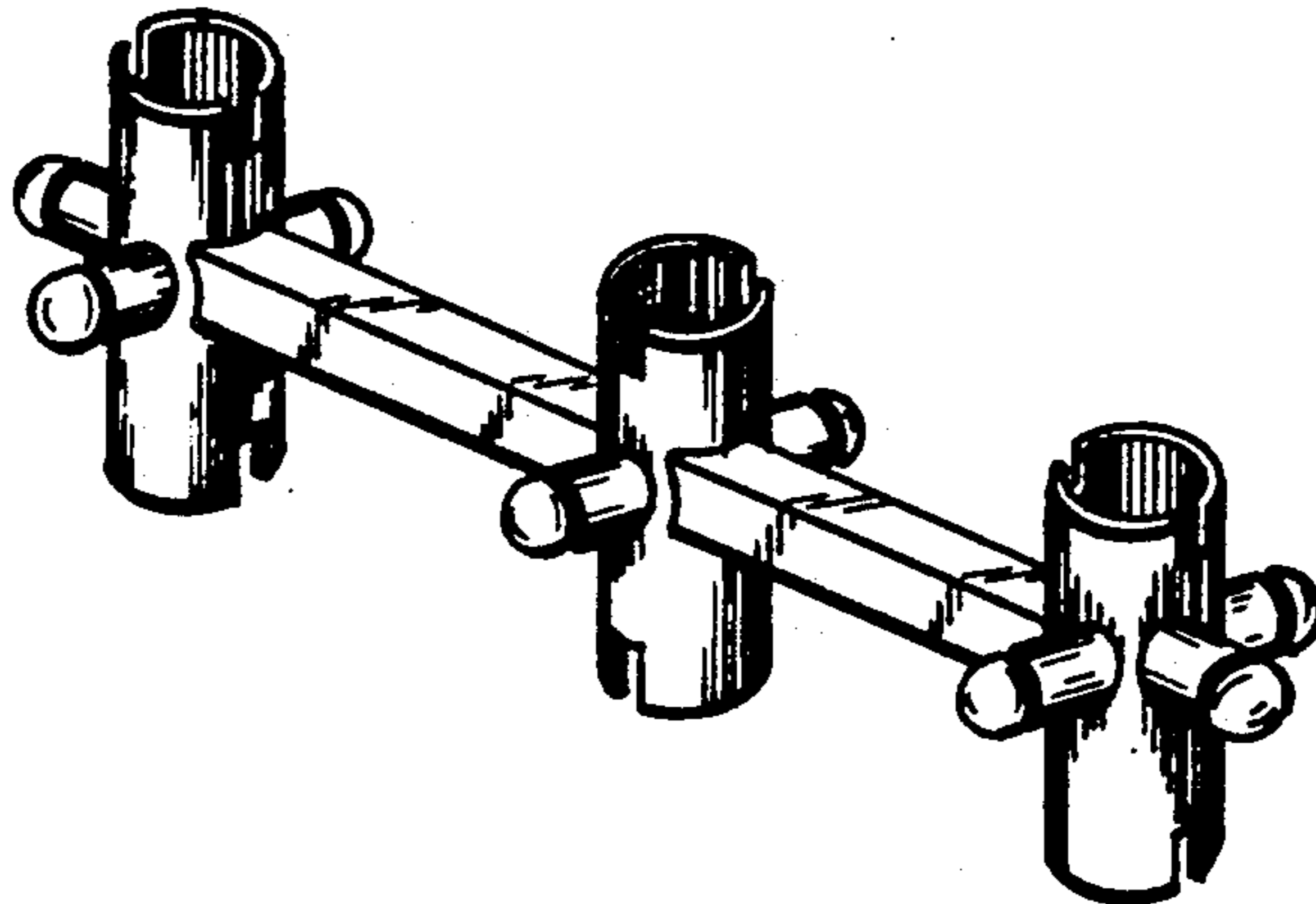
Primary Examiner—Charles A. Rademaker
Attorney, Agent, or Firm—Frijouf, Rust & Pyle

[57] **CLAIM**

The ornamental design for a construction toy, as shown and described.

DESCRIPTION

FIG. 1 is a perspective view of a construction toy showing my new design;
FIG. 2 is a top plan view thereof, the side opposite being identical;
FIG. 3 is a right side elevational view thereof, the side opposite being identical; and,
FIG. 4 is an end elevational view thereof, the end opposite being identical.



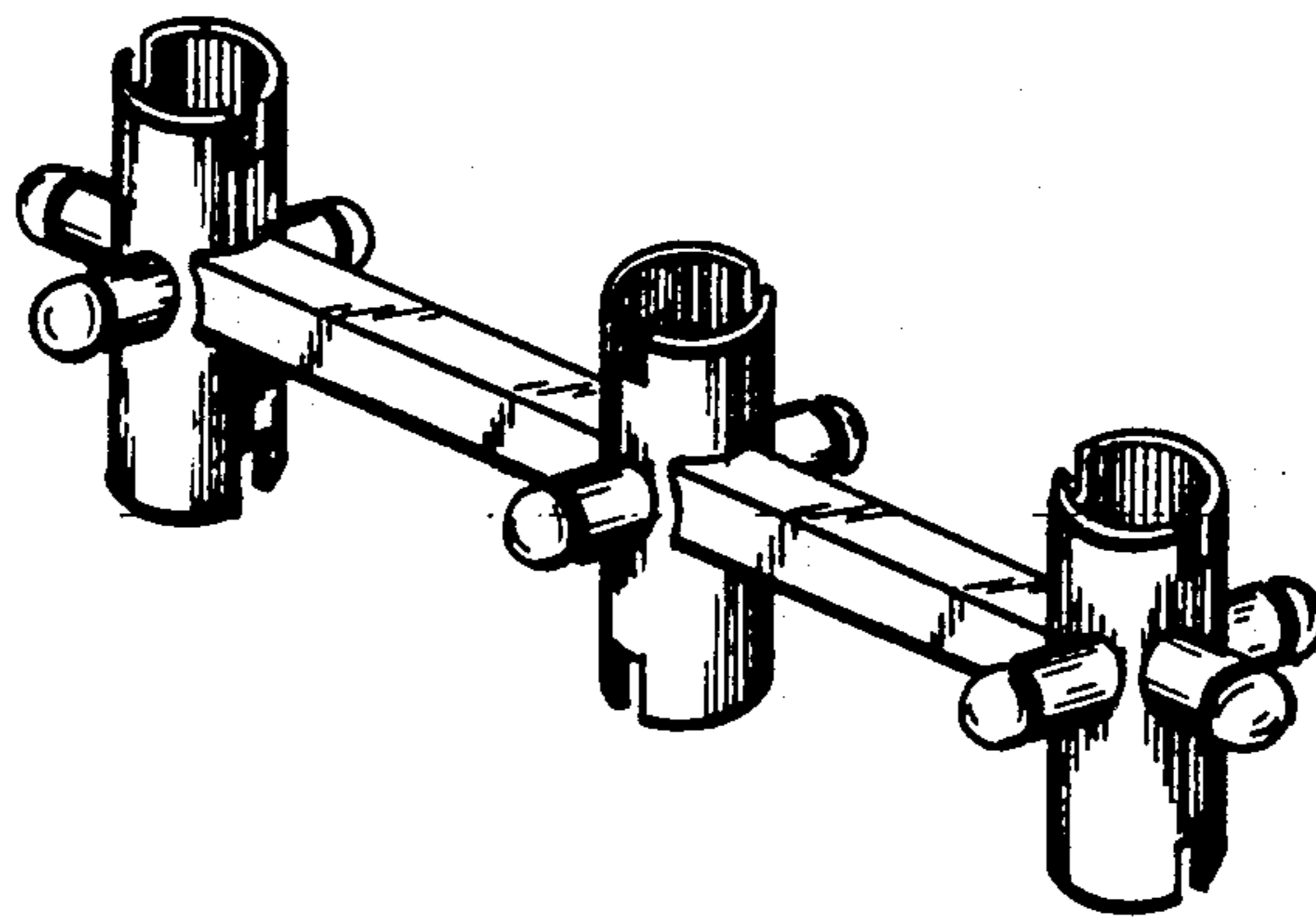


FIG. 1

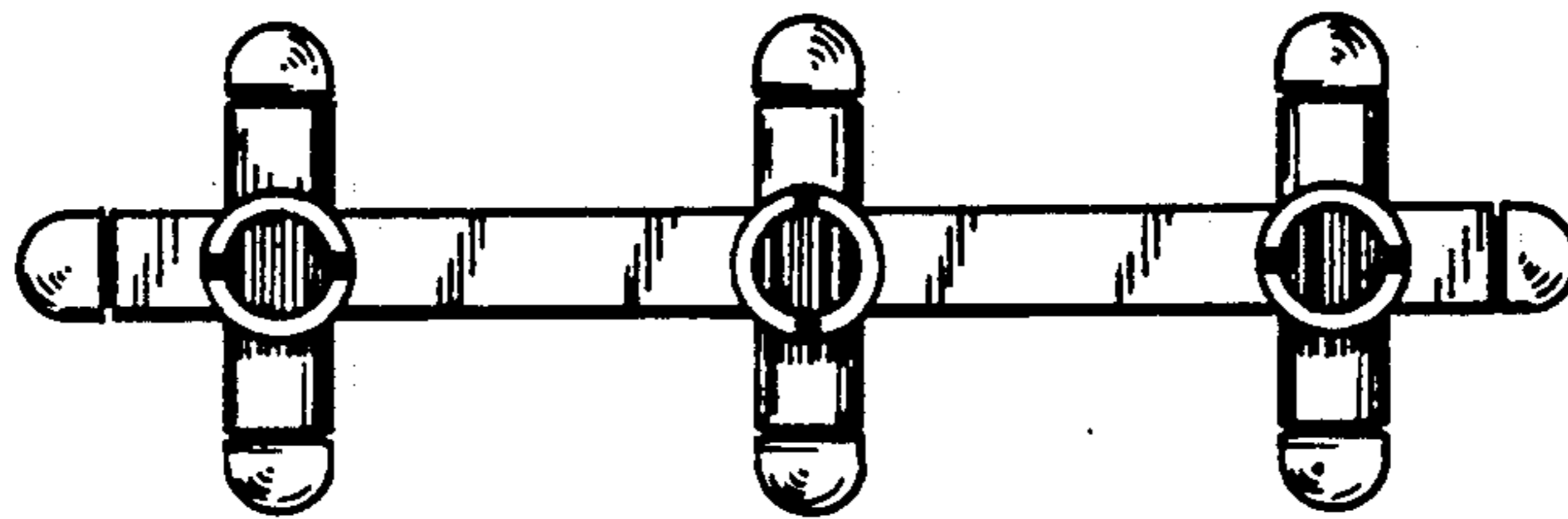


FIG. 2

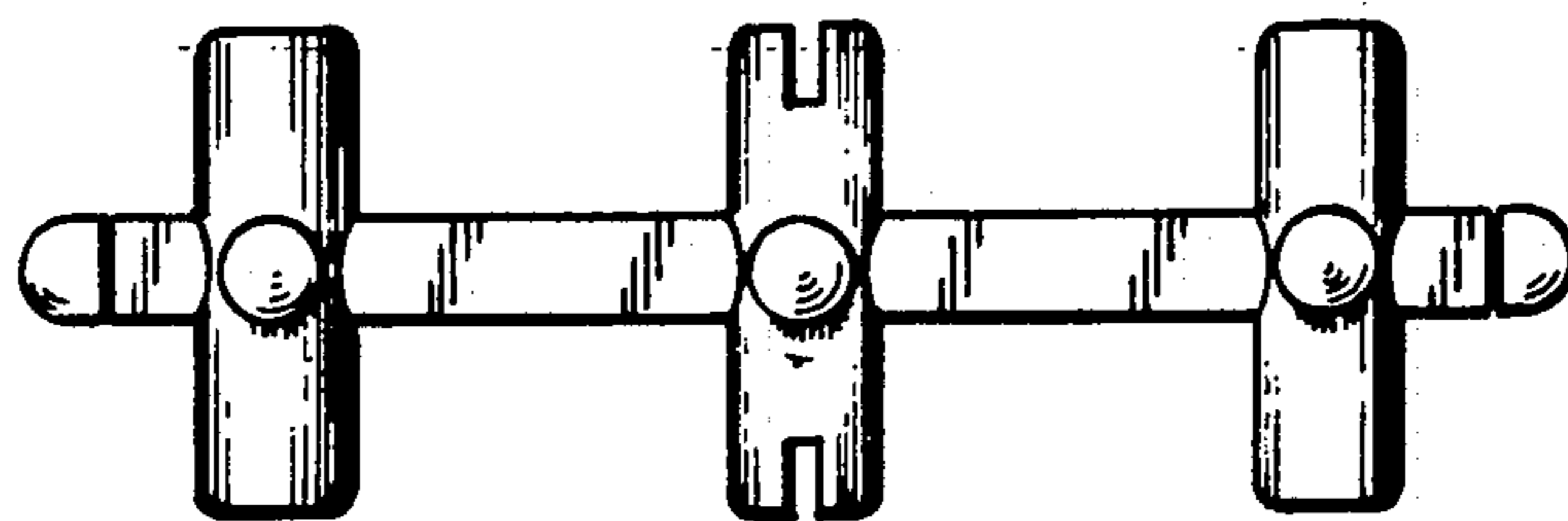


FIG. 3

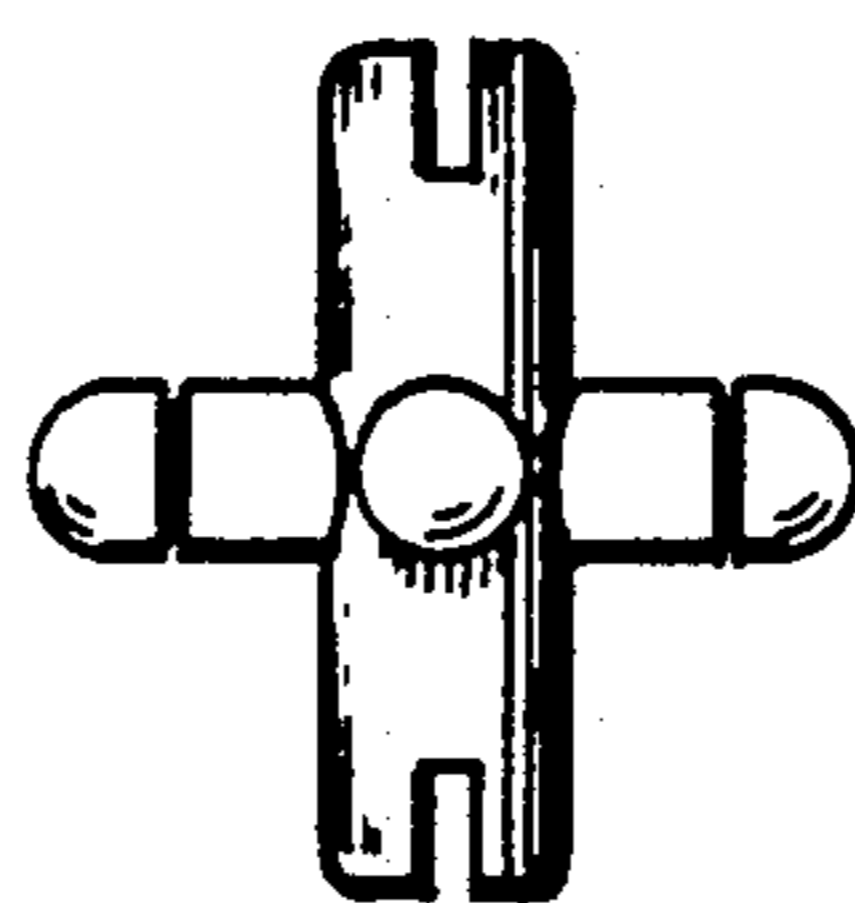


FIG. 4