

[54] **GUM BALL MACHINE**

[75] **Inventor: Bruce A. Weiner, Toronto, Canada**

[73] **Assignee: 493207 Ontario Ltd., Ontario, Canada**

[**] **Term: 14 Years**

[21] **Appl. No.: 305,357**

[22] **Filed: Feb. 1, 1989**

[30] **Foreign Application Priority Data**

Aug. 3, 1988 [CA] Canada 0308885

[52] **U.S. Cl.** D20/3; D20/7

[58] **Field of Search** D20/7, 3; D99/34; 221/24, 155; D21/129

[56] **References Cited**

U.S. PATENT DOCUMENTS

D. 217,374 4/1970 Hubiak D21/129

D. 298,145 10/1988 Tsai D20/3
4,667,848 5/1987 Gold 221/155

Primary Examiner—A. Hugo Word
Assistant Examiner—Paula Allen
Attorney, Agent, or Firm—Caesar, Rivise, Bernstein, Cohen & Pokotilow, Ltd.

[57] **CLAIM**

The ornamental design for a gum ball machine, as shown.

DESCRIPTION

FIG. 1 is a front perspective view of a gum ball machine, showing my new design;
FIG. 2 is a right side elevational view thereof;
FIG. 3 is a left side elevational view thereof;
FIG. 4 is a front elevational view thereof;
FIG. 5 is a rear elevational view thereof;
FIG. 6 is a top plan view thereof; and,
FIG. 7 is a bottom plan view.

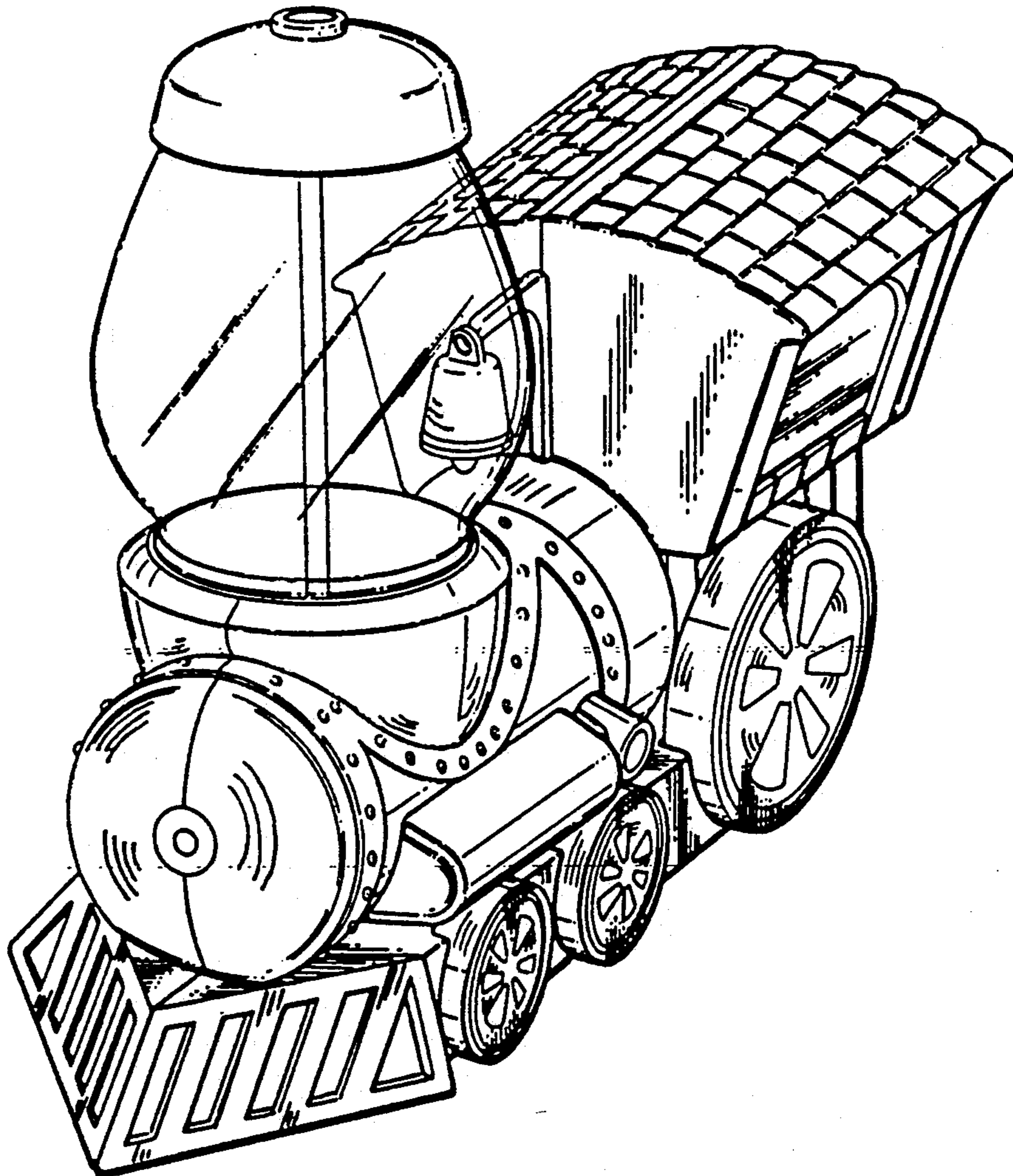


FIG.1.

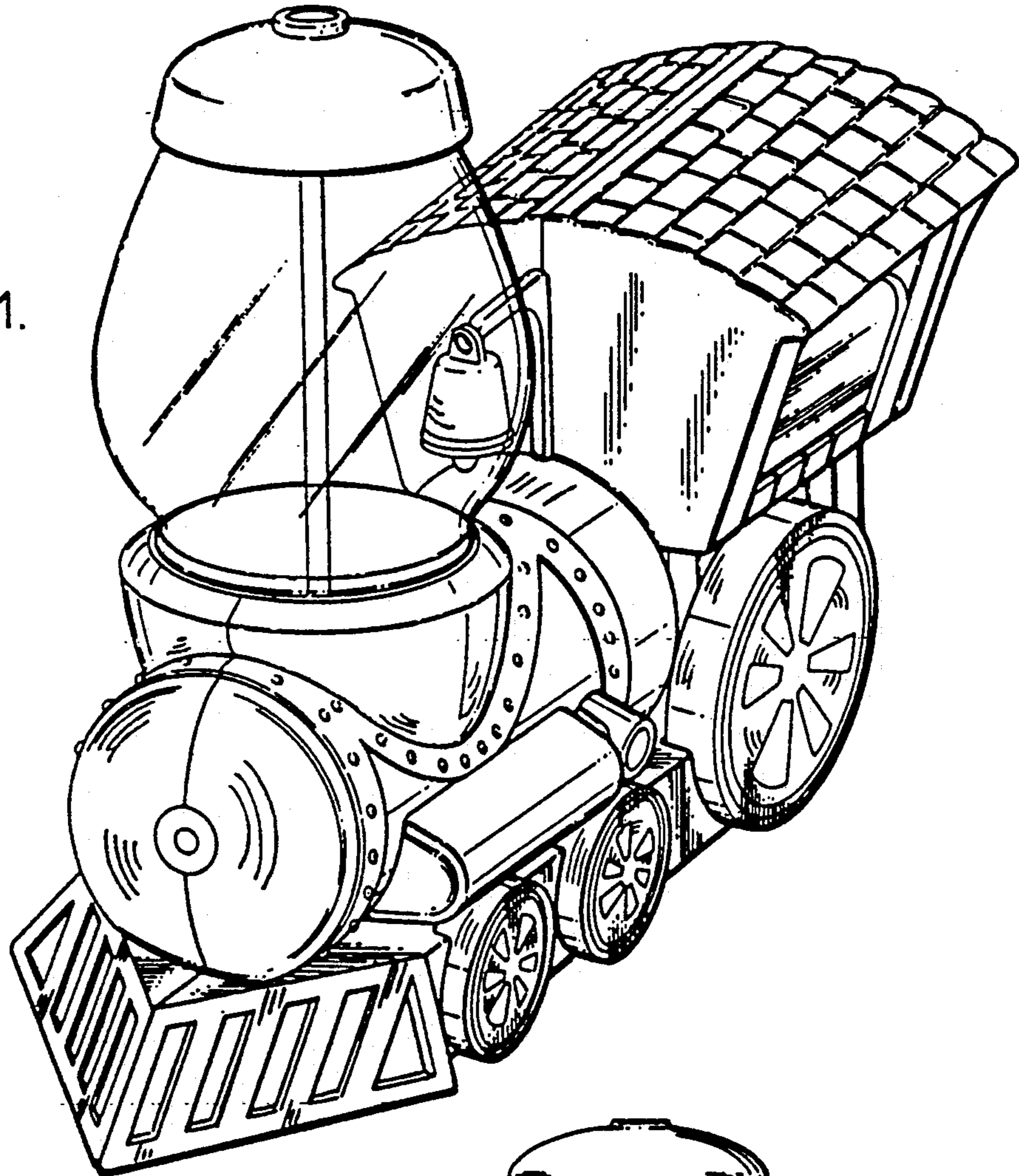
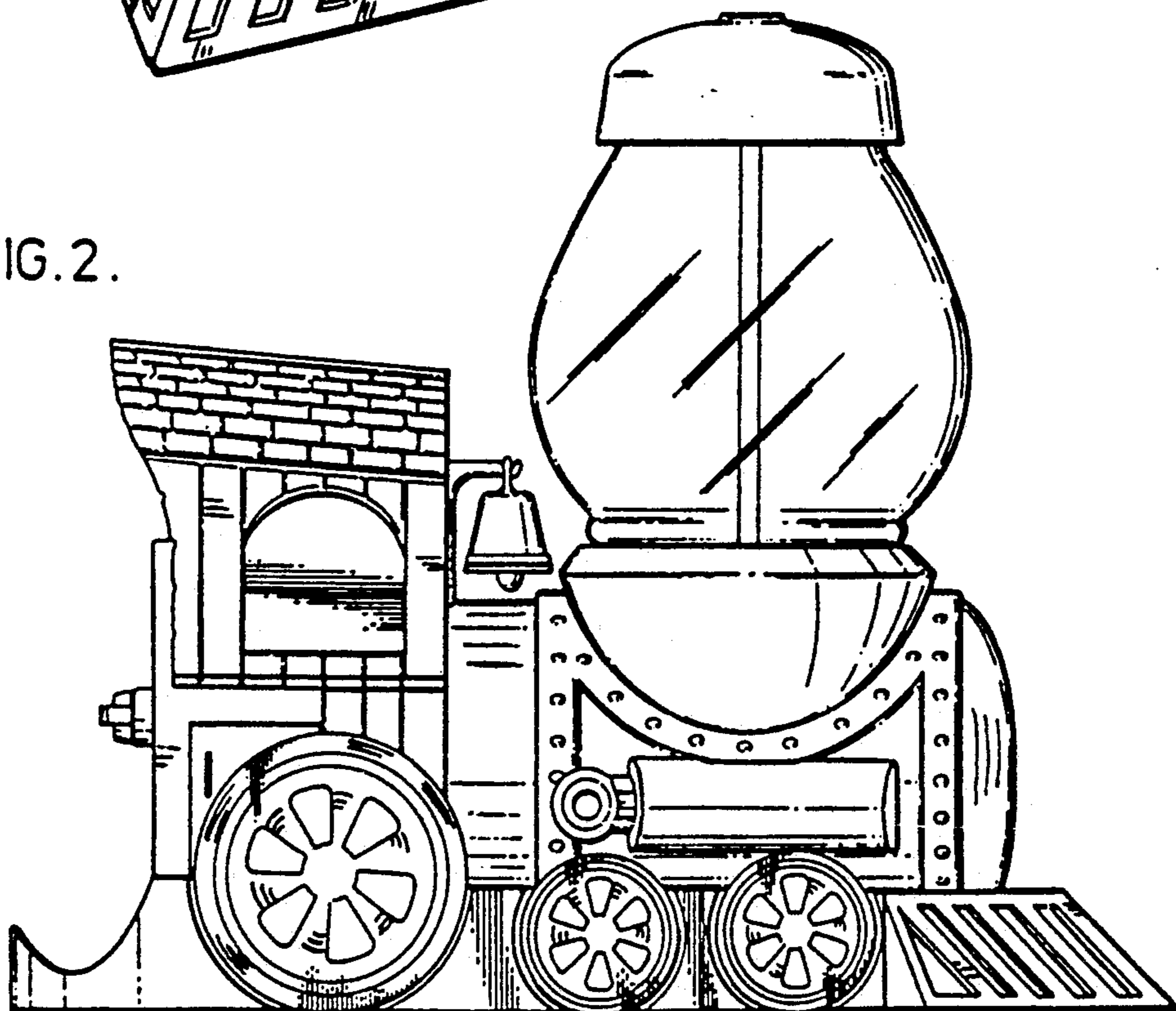


FIG.2.



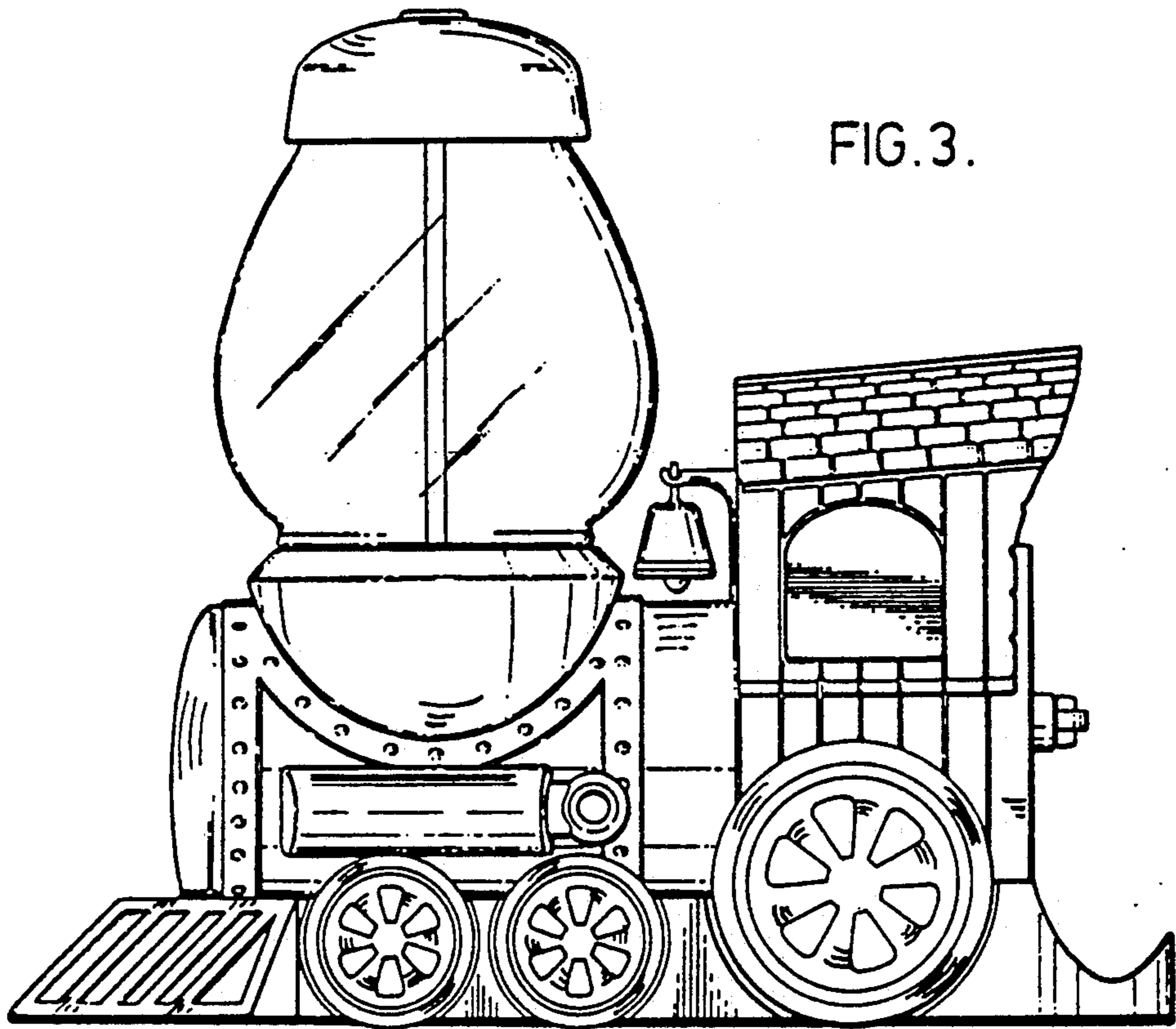


FIG. 3.

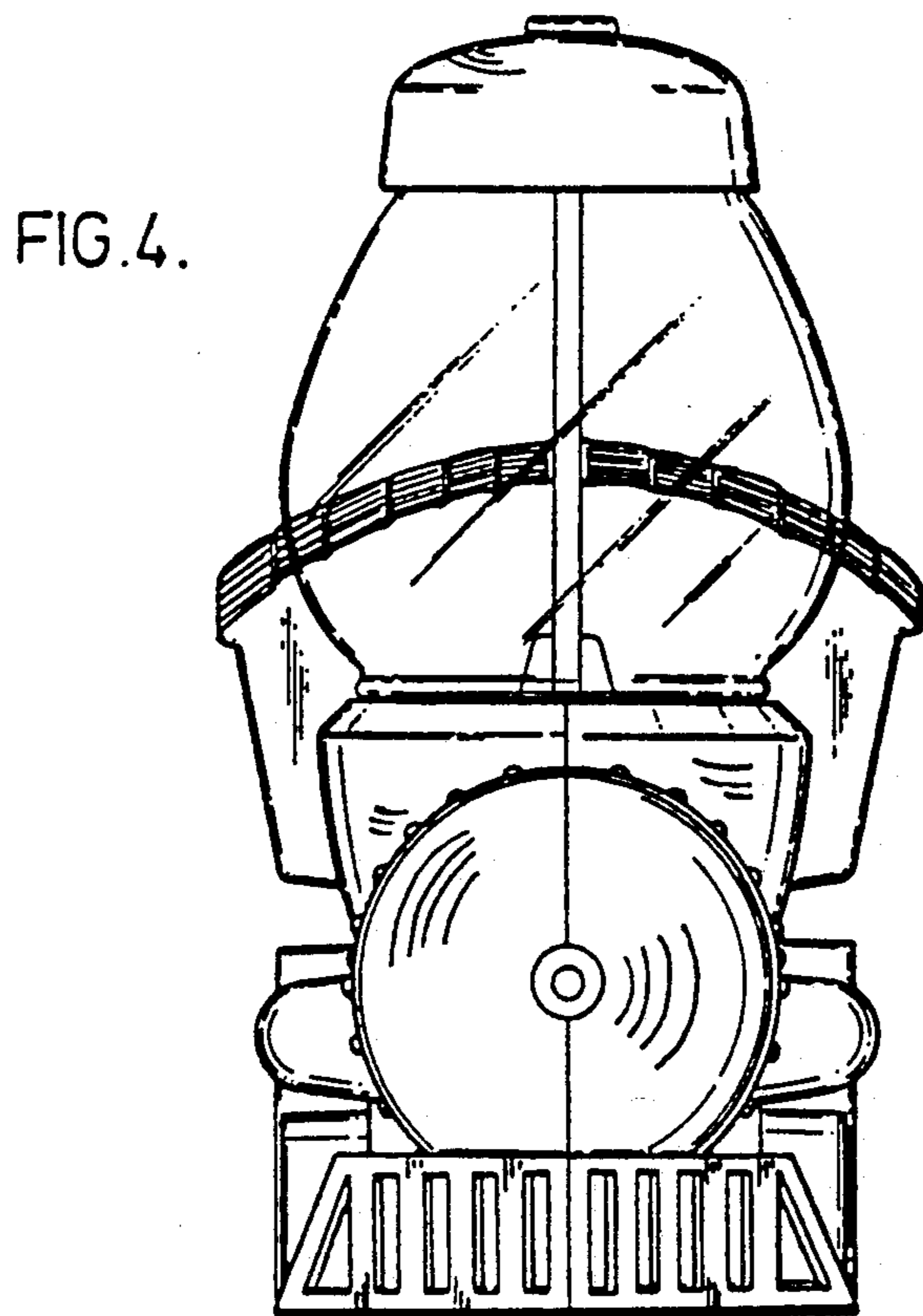


FIG. 4.

FIG. 5.

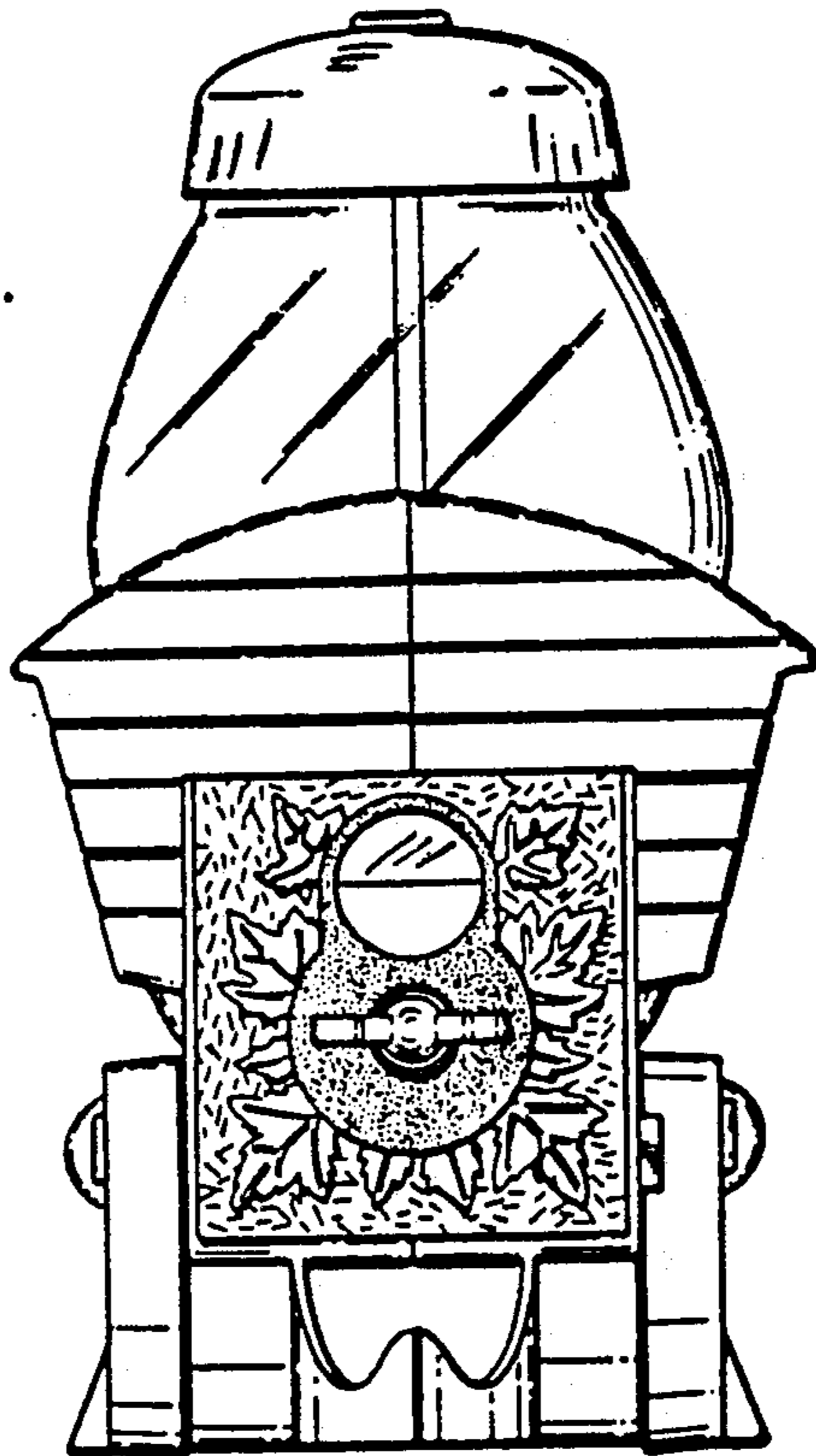


FIG. 6.

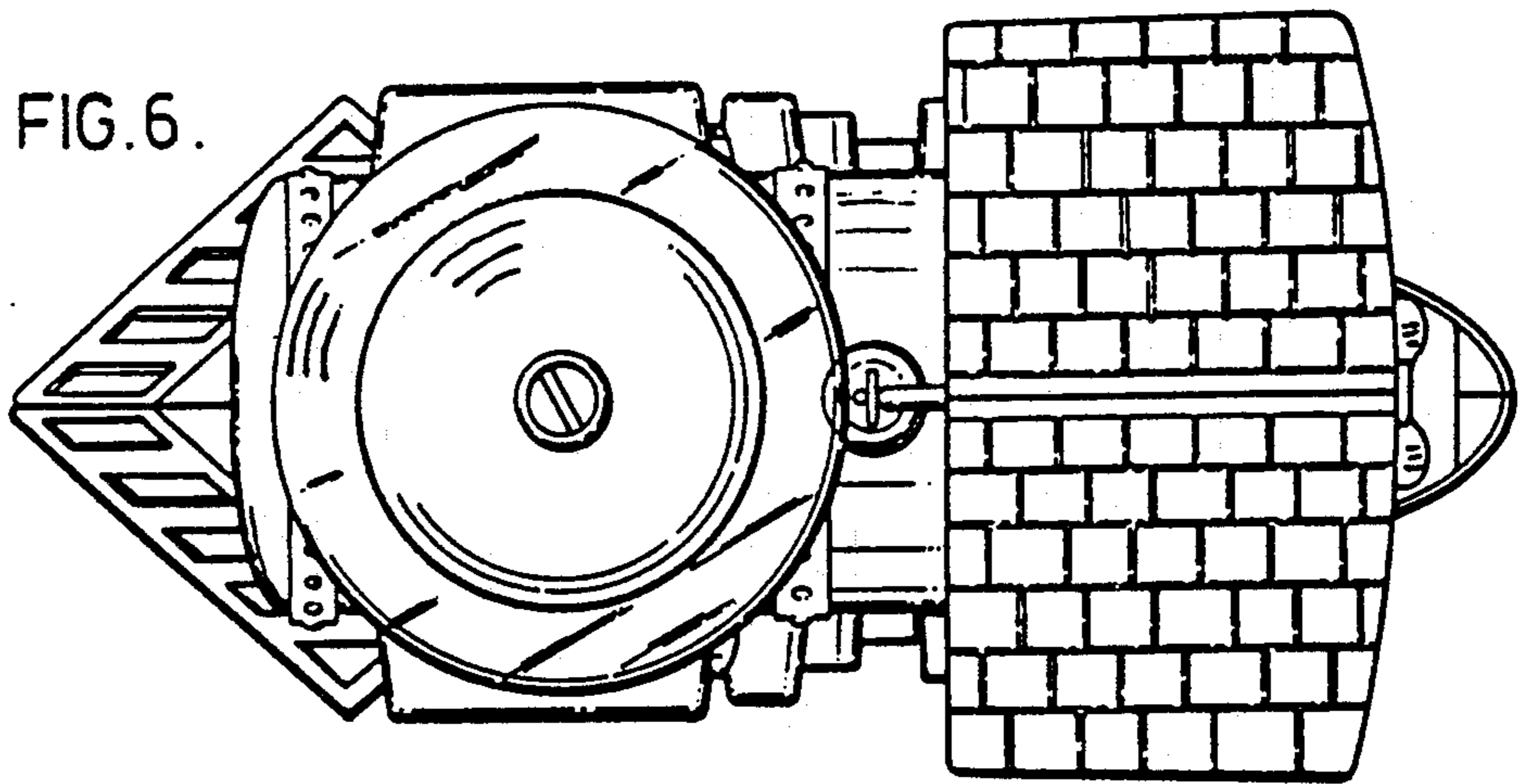


FIG. 7.

