

[54] DOCUMENT HOLDER FOR ATTACHMENT TO A COMPUTER MONITOR

[75] Inventors: Dale G. Davis, Warren, Mich.; Shane E. Davis, 8228 Paige, Warren, Mich. 48089

[73] Assignee: Shane E. Davis, Warren, Mich.

[**] Term: 14 Years

[21] Appl. No.: 169,775

[22] Filed: Mar. 18, 1988

[52] U.S. Cl. D19/91; D14/114; D19/86; D19/88; D19/90

[58] Field of Search D19/75, 76, 65, 86, D19/88, 90, 91, 99, 100; D14/114; D6/419; 248/441.1, 442.2, 444.1, 447.2; 40/341, 349, 350, 352

[56] References Cited

U.S. PATENT DOCUMENTS

D. 251,648	4/1979	Graviner	D19/91 X
D. 270,357	8/1983	Dillon et al.	D19/91
D. 302,443	7/1989	Jones	D19/88 X
4,332,364	6/1982	Beskin	248/442.2
4,496,127	1/1985	Nelson	248/441.1
4,747,572	5/1988	Weber	248/442.2

OTHER PUBLICATIONS

Global Computer Supplies, Oct. 1986, see p. 18, 2 in one copyholder, upper right.

Primary Examiner—Bruce W. Dunkins
Assistant Examiner—Martha Thompson
Attorney, Agent, or Firm—Krass & Young

[57] CLAIM

The ornamental design for a document holder for attachment to a computer monitor, as shown and described.

DESCRIPTION

FIG. 1 is a front perspective view of a document holder for attachment to a computer monitor showing our new design;

FIG. 2 is a top plan view;

FIG. 3 is a front elevational view;

FIG. 4 is a right side elevational view; and

FIG. 5 is a bottom plan view thereof.

The partial view of a computer monitor and the document depicted by means of broken lines in FIG. 1 are for illustrative purposes only and form no part of the claimed design.

The undisclosed surface of the mounting plate is conventionally flat.

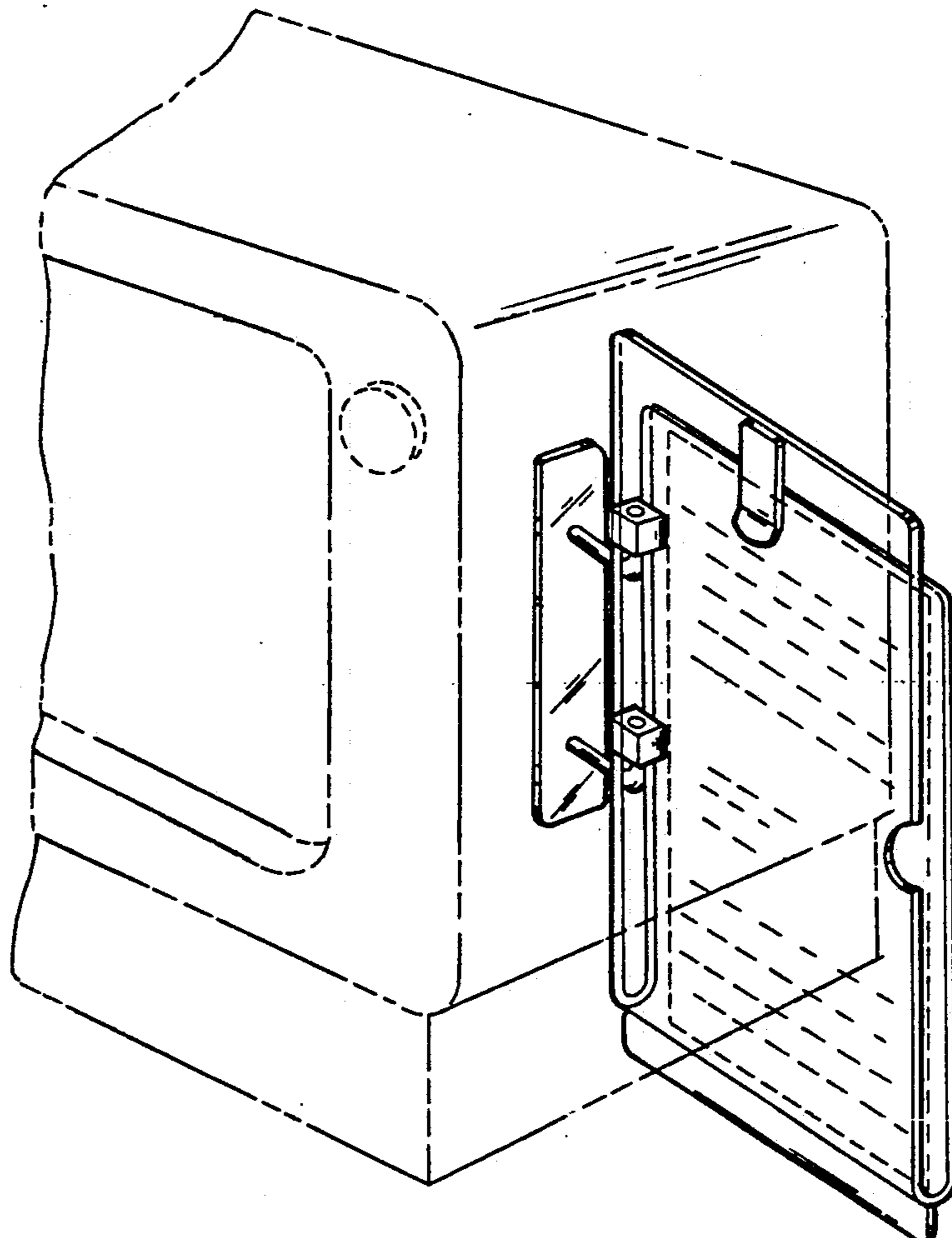


FIG - 1

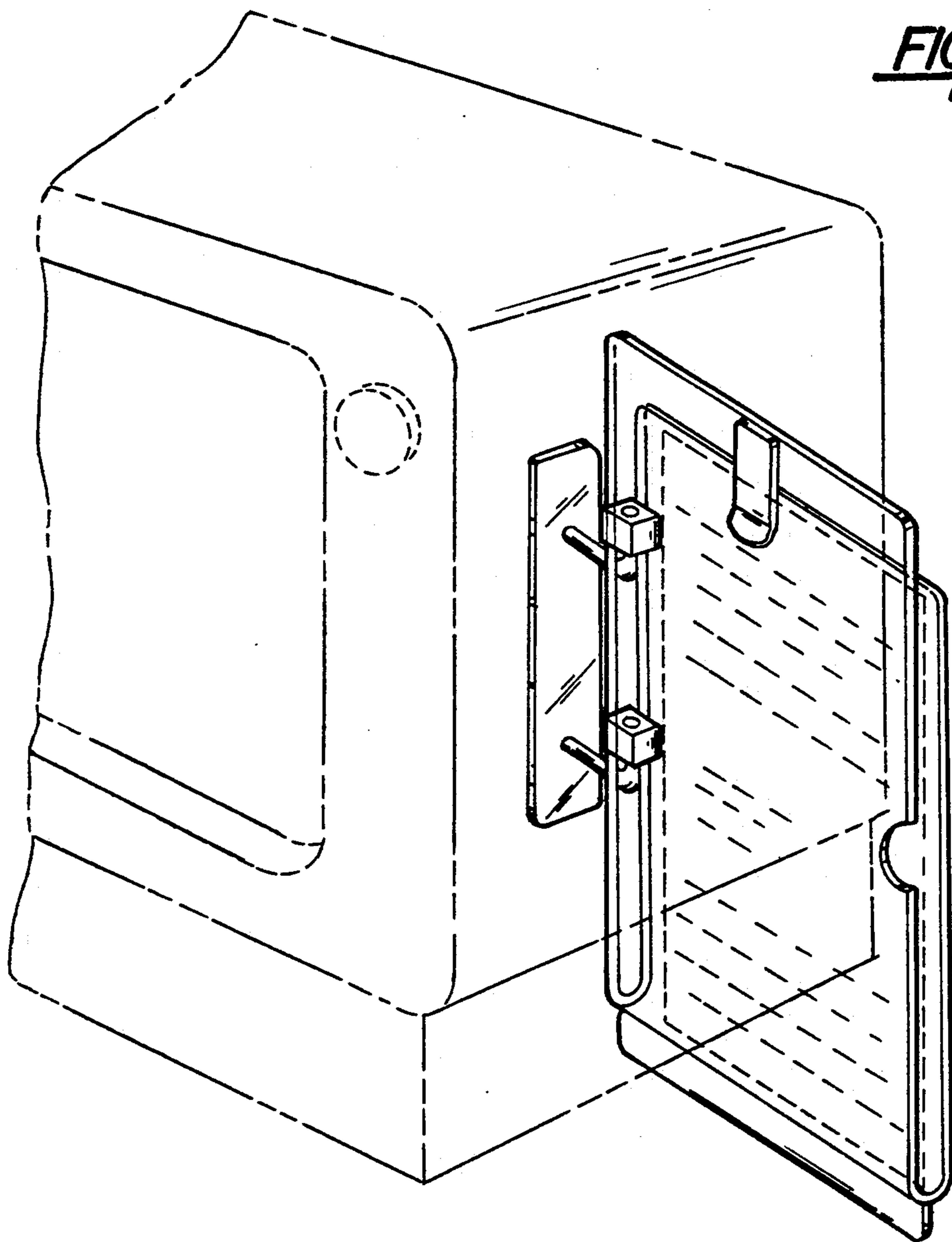
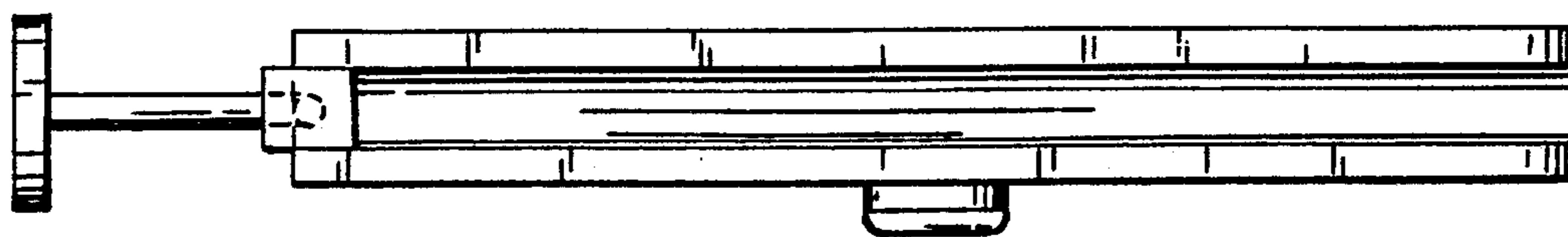


FIG - 2



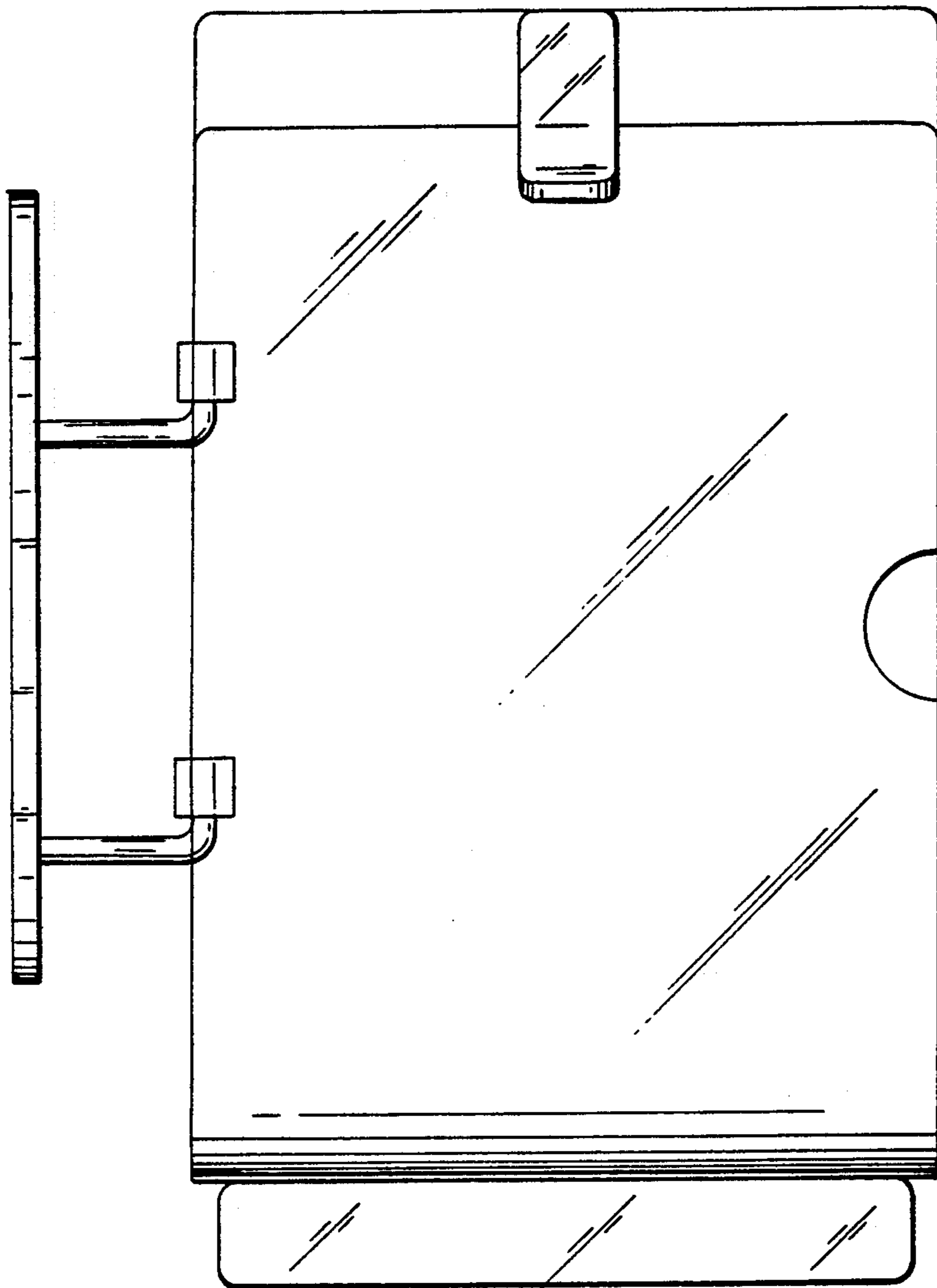


FIG - 3

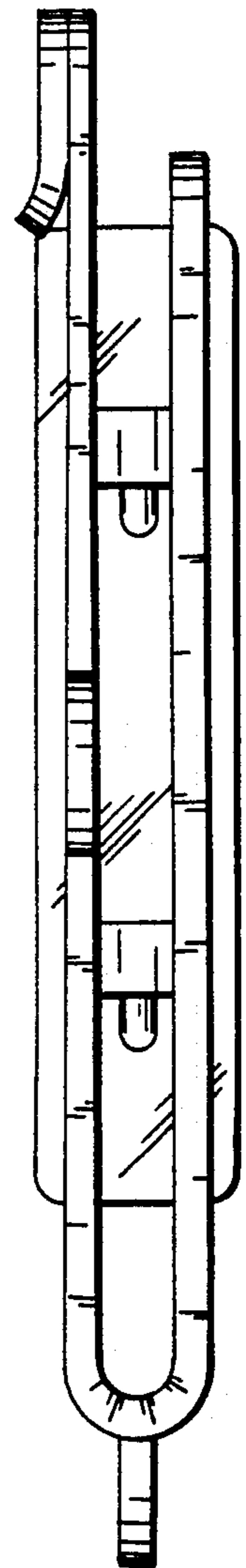


FIG - 4

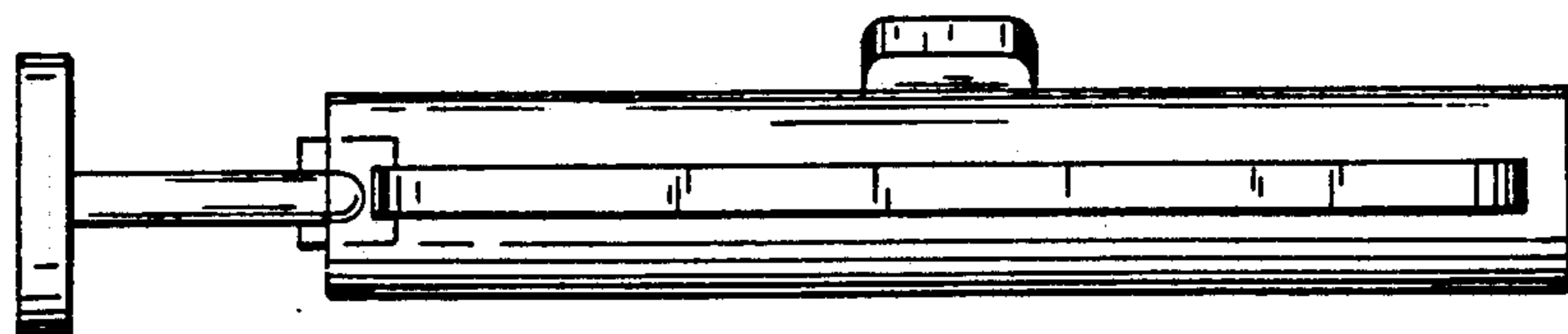


FIG - 5