

[54] WRITING INSTRUMENT HOLDER

[75] Inventor: Kaoru Suzuki, Tokyo, Japan

[73] Assignee: Plus Corporation, Tokyo, Japan

[**] Term: 14 Years

[21] Appl. No.: 185,829

[22] Filed: Apr. 25, 1988

[30] Foreign Application Priority Data

Nov. 26, 1987 [JP] Japan 62-48359
[52] U.S. Cl. D19/85; D19/57; D19/81; D19/84
[58] Field of Search D19/35, 36, 41-51, D19/81, 83, 84, 85, 57, 58, 95, 99, 100; D3/30.1, 74; 401/131; 206/371, 214; 211/69.1

[56] References Cited

U.S. PATENT DOCUMENTS

D. 196,884 11/1963 Furlong, Jr. D18/83
D. 201,479 6/1965 Green D19/84
D. 217,789 6/1970 Oddo D19/85
D. 299,150 12/1988 Birch D19/85
D. 305,777 1/1990 Lee D19/85
D. 309,983 8/1990 Nakata D19/85 X
2,568,907 9/1951 Bernstein 401/131
4,573,818 3/1986 Kodera 401/131

FOREIGN PATENT DOCUMENTS

2154431 5/1973 Fed. Rep. of Germany 206/371

Primary Examiner—Bruce W. Dunkins
Assistant Examiner—Martha Thompson
Attorney, Agent, or Firm—Darby & Darby

[57] CLAIM

The ornamental design for a writing instrument holder, as shown and described.

DESCRIPTION

FIG. 1 is a top plan view of a writing instrument holder showing my new design, the bottom plan view being a mirror image thereof;
FIG. 2 is a side elevational view, the opposite side being a mirror image thereof;
FIG. 3 is an end elevational view taken from the left end of FIG. 1;
FIG. 4 is an end elevational view taken from the right end of FIG. 1;
FIG. 5 is a cross-sectional view taken in the direction of arrows 5-5 in FIG. 1;
FIG. 6 is a cross-sectional view taken in the direction of arrows 6-6 in FIG. 1;
FIG. 7 is a top perspective view; and
FIG. 8 is a side elevational view with the support portion angled to an alternate position.
The pen depicted by means of broken lines in FIG. 8 is for illustrative purposes only and forms no part of the claimed design.

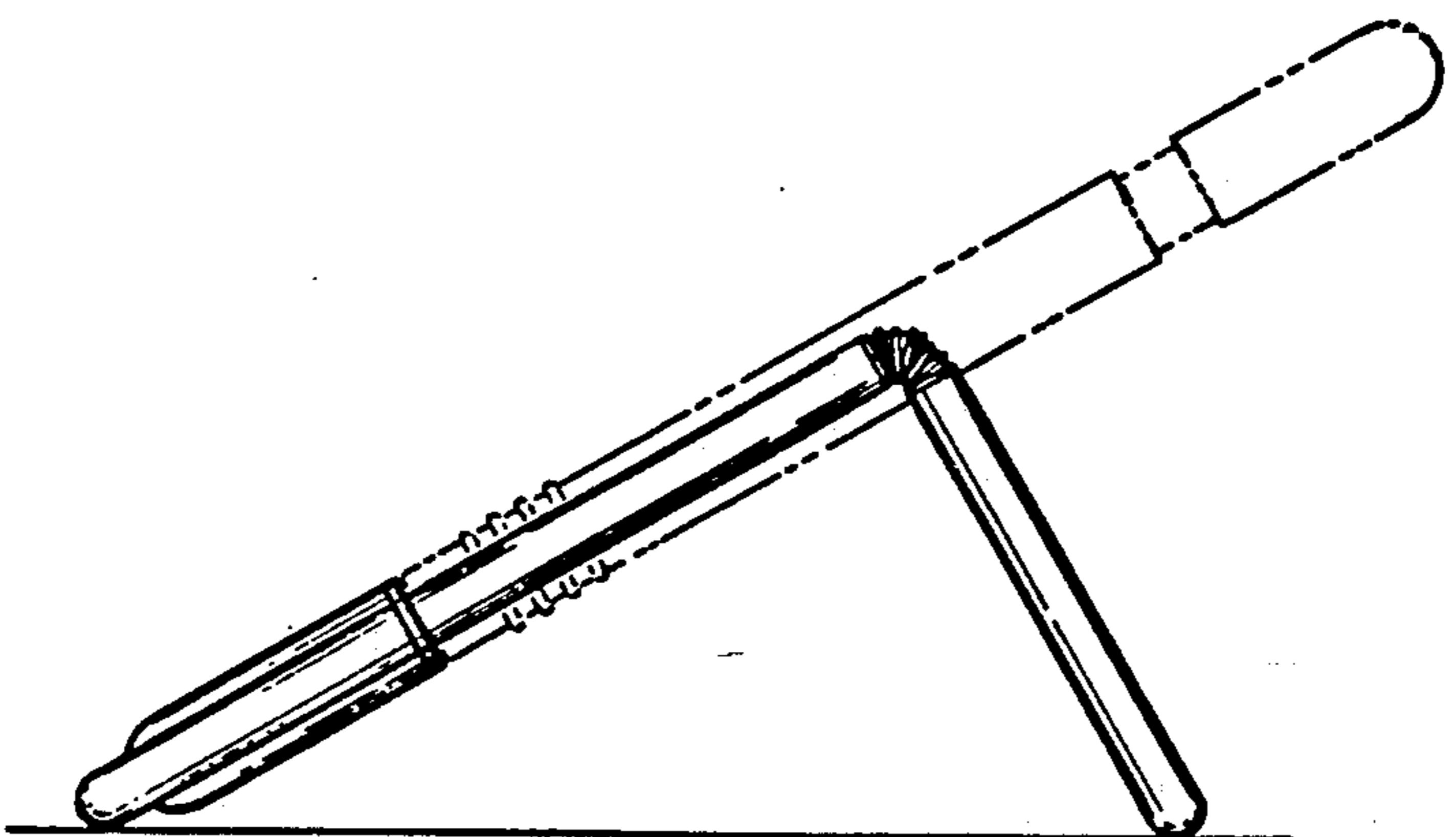
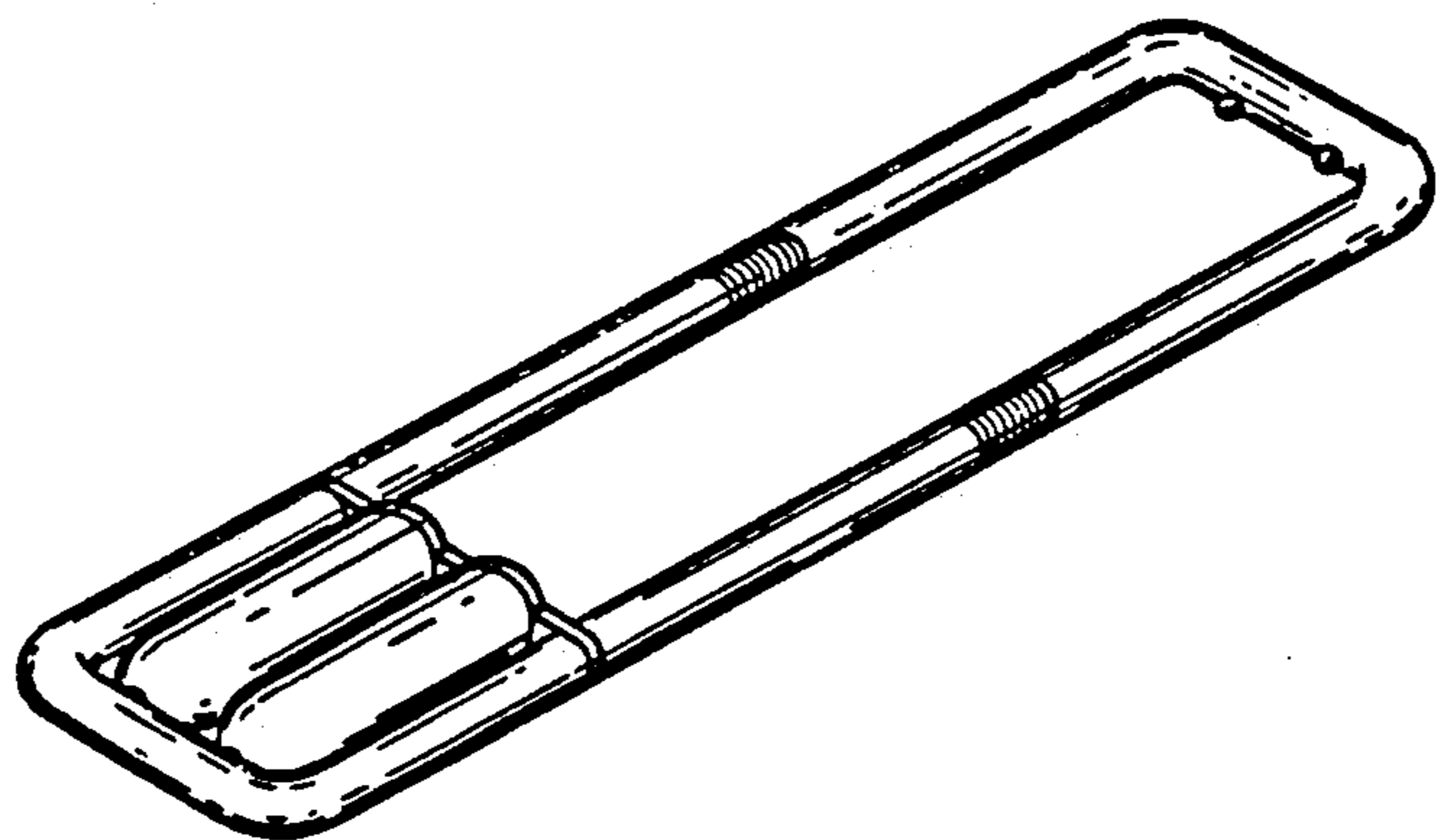


FIG. 2.

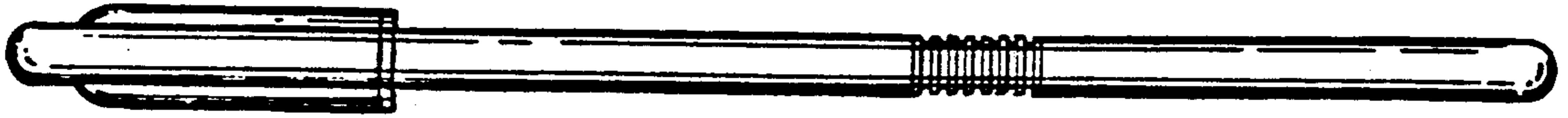


FIG. 1.

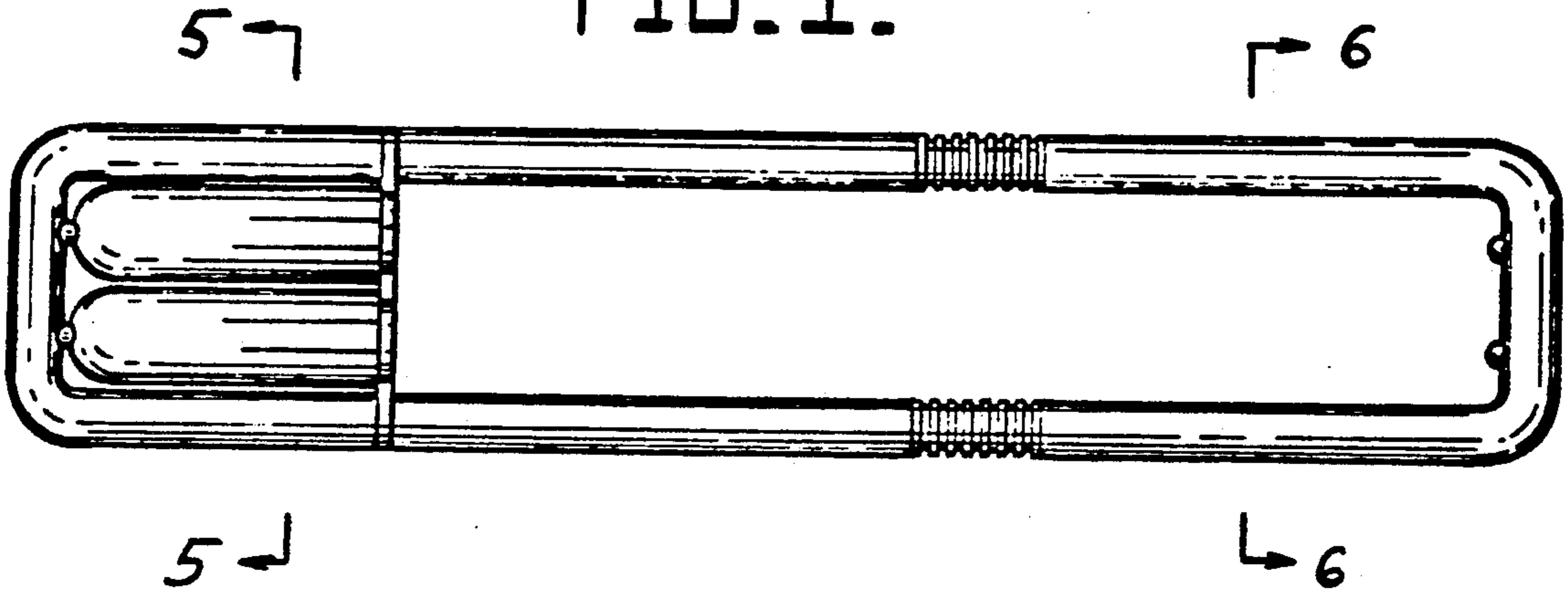


FIG. 3.



FIG. 4.



FIG. 5.



FIG. 6.



FIG. 7.

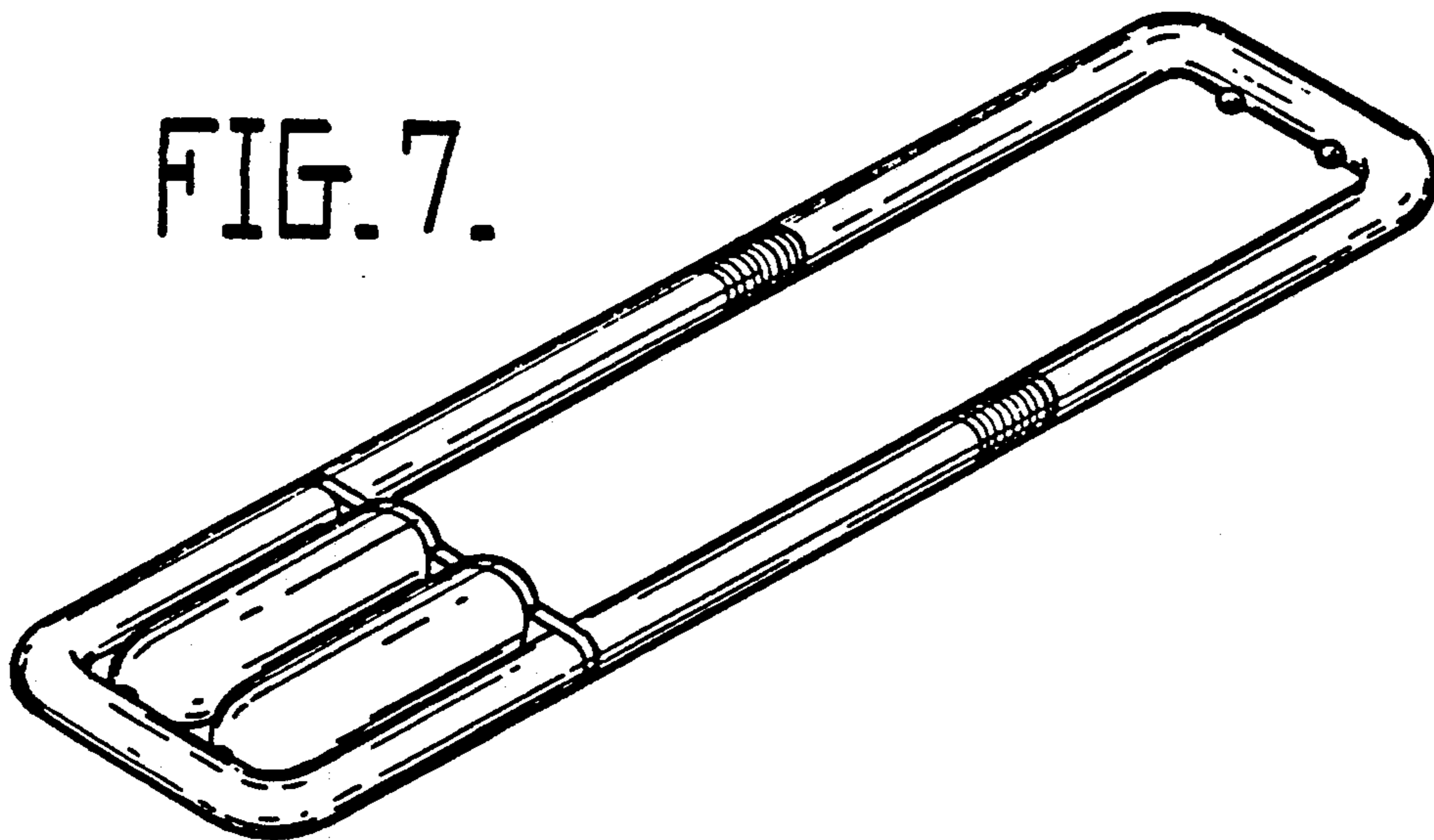


FIG. 8.

