

[54] LAWN MOWER BLADE AND BLADE COVER

4,126,990 11/1978 Fisher et al. .... 56/295  
4,205,510 6/1980 Raniero ..... 56/295  
4,250,622 2/1981 Houle ..... 56/295  
4,362,007 12/1982 Kennedy et al. .... 56/295

[76] Inventor: Ronald Mihatsch, Rte. 3 Box 330D,  
Temple, Tex. 76501

[\*\*] Term: 14 Years

Primary Examiner—B. J. Bullock  
Assistant Examiner—Sandra Morris  
Attorney, Agent, or Firm—Jerry T. Kearns

[21] Appl. No.: 153,801

[57] CLAIM

[22] Filed: Feb. 8, 1988

The ornamental design for a lawn mower blade and blade cover, as shown and described.

[52] U.S. Cl. .... D15/17

[58] Field of Search ..... D15/10, 14, 15, 17;  
30/347; 56/295, 320.1, 320.2

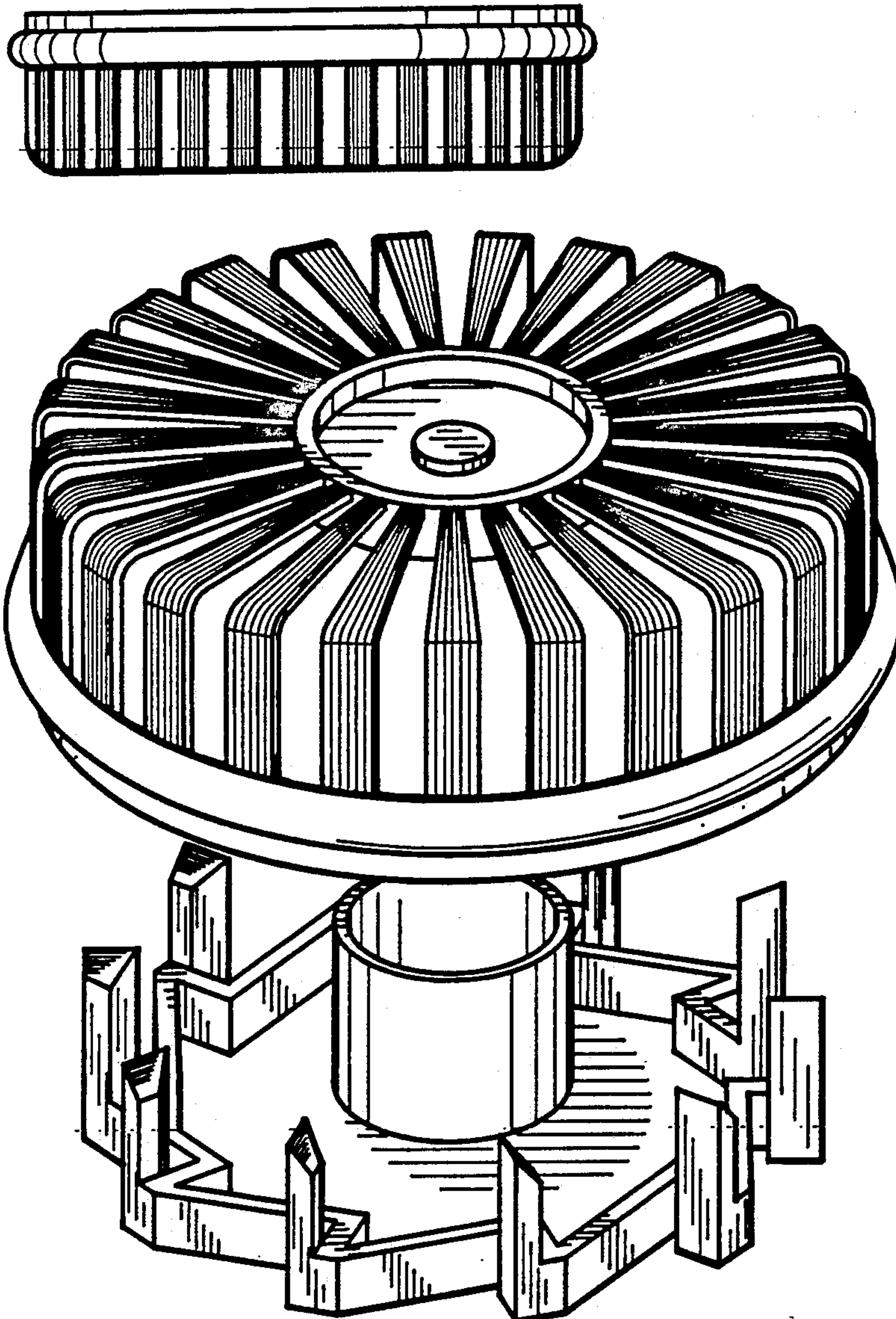
DESCRIPTION

[56] References Cited

FIG. 1 is a front elevational view of a lawn mower blade and cover showing my new design;  
FIG. 2 is a top plan view thereof;  
FIG. 3 is a bottom plan view thereof; and  
FIG. 4 is an exploded perspective view thereof.

U.S. PATENT DOCUMENTS

D. 235,910 7/1975 Thourd et al. .... D15/17  
D. 238,441 1/1976 Julian ..... D15/17



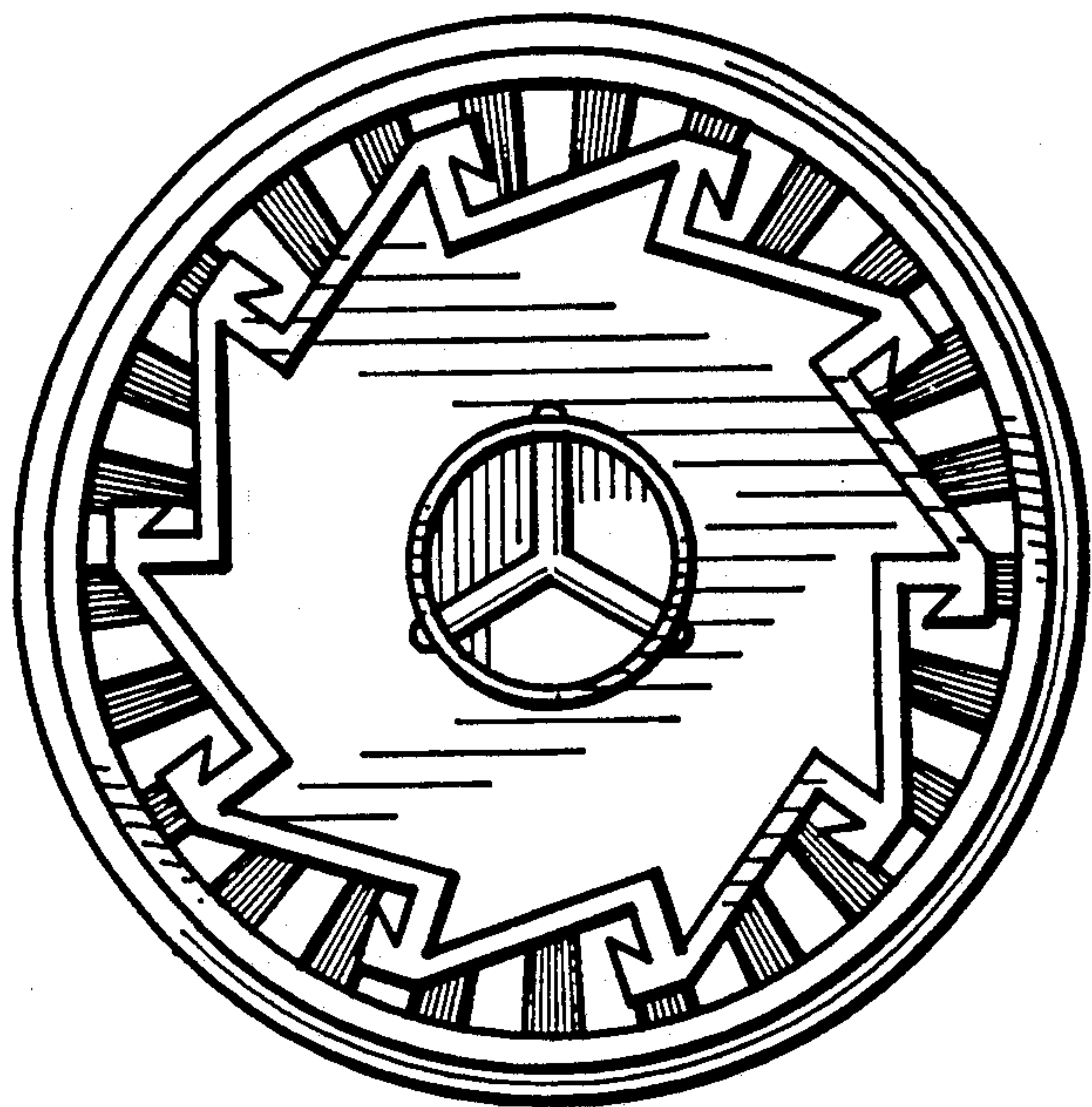


Fig. 2

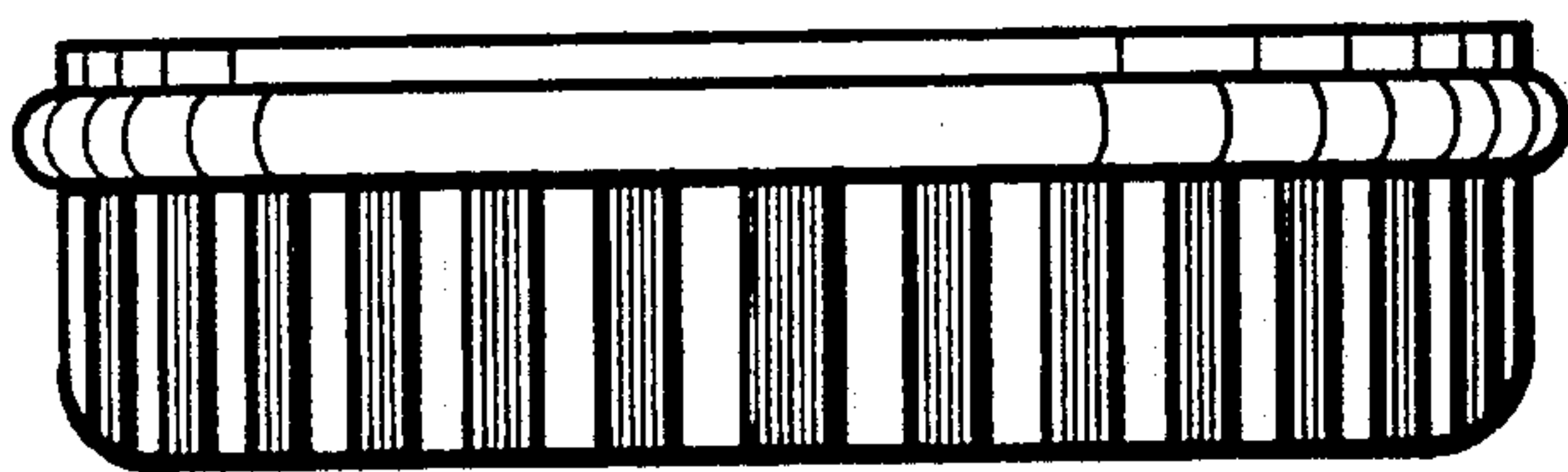


Fig. 1

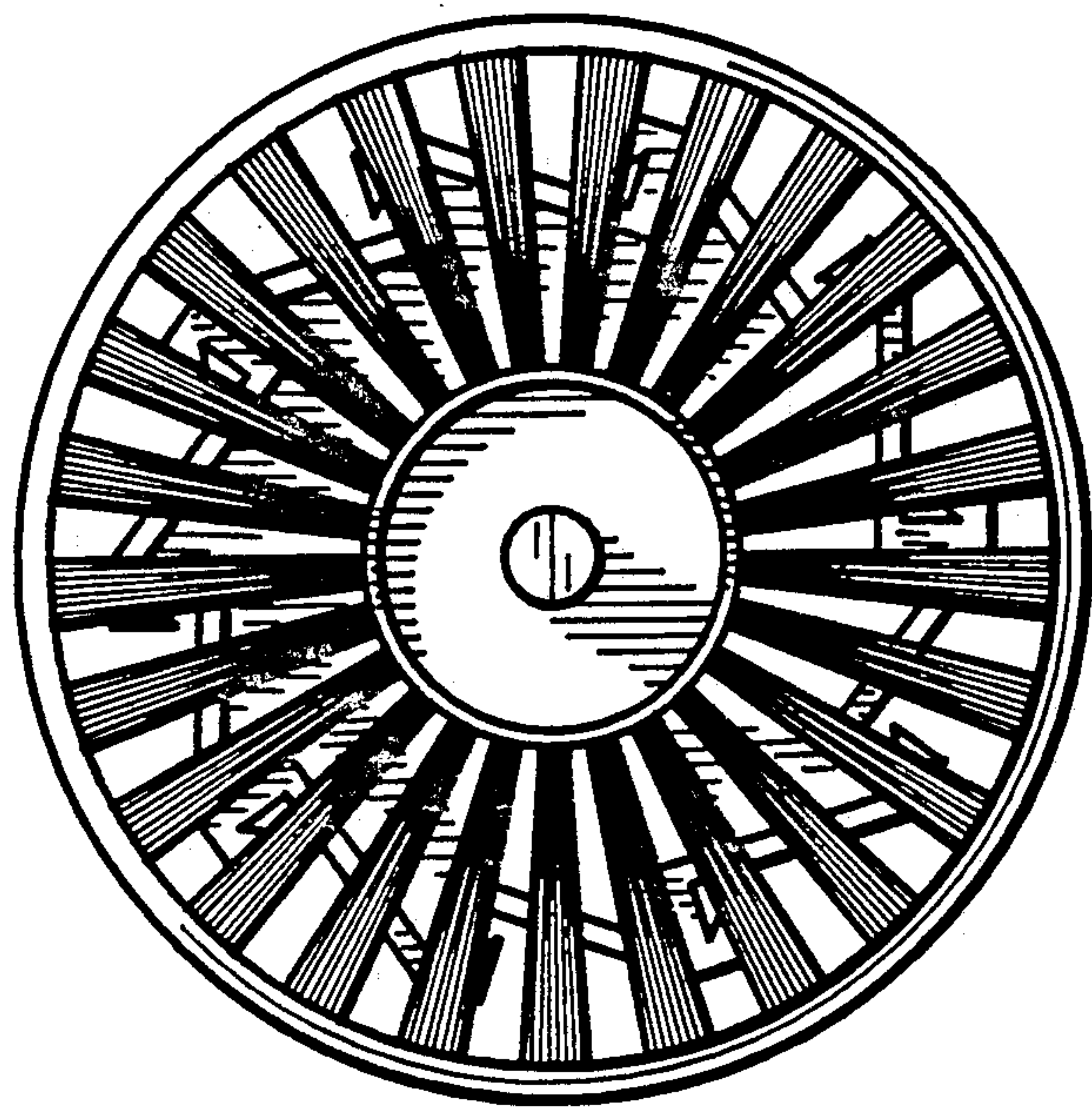


Fig. 3



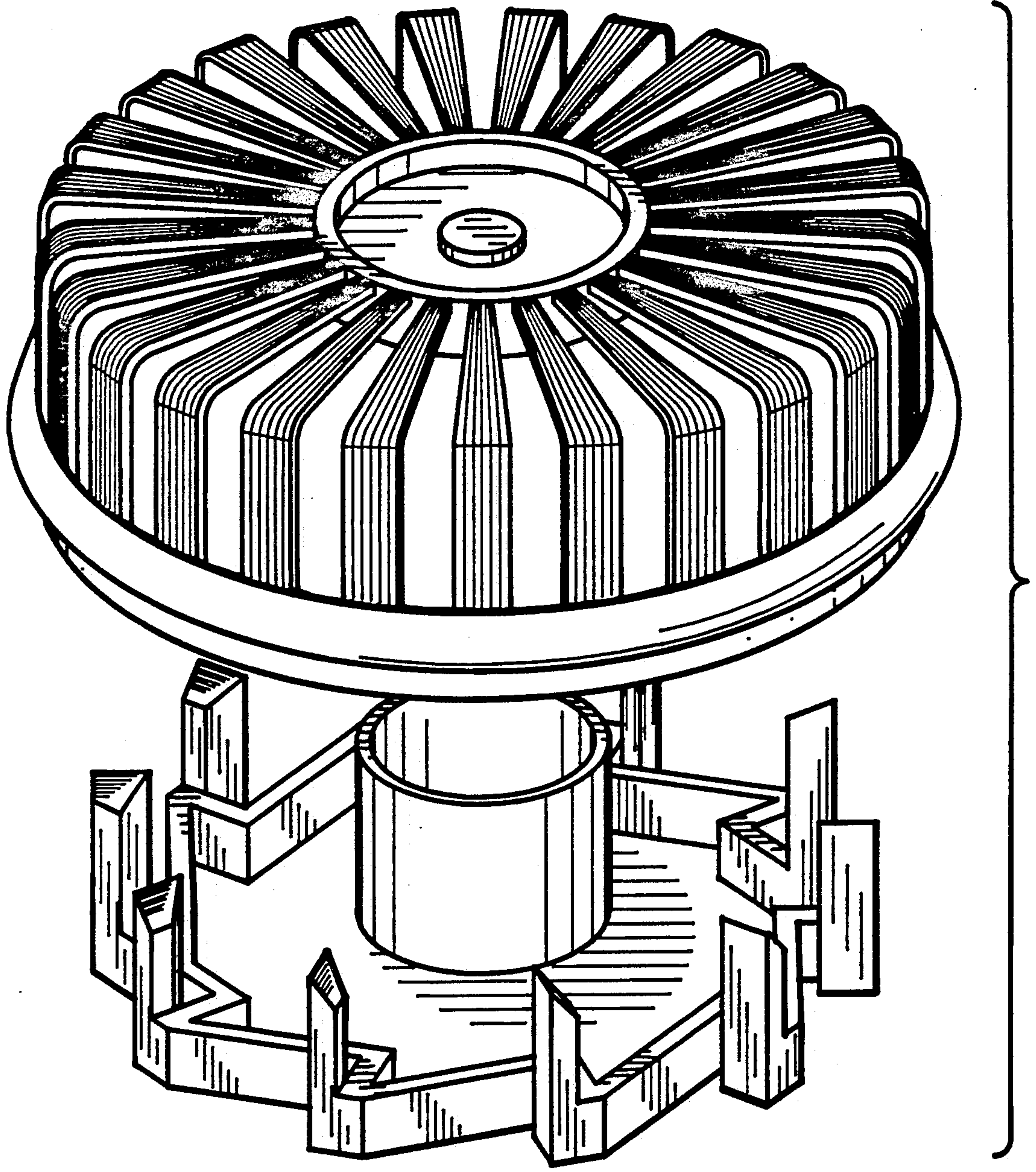


Fig. 4