

[54] **AUDIO CASSETTE**

[75] **Inventor: Fuyuki Yonehara, Tokyo, Japan**

[73] **Assignee: Fuji Photo Film Co., Ltd., Kanagawa, Japan**

[**] **Term: 14 Years**

[21] **Appl. No.: 291,876**

[22] **Filed: Dec. 29, 1988**

[30] **Foreign Application Priority Data**

Jun. 29, 1988 [JP] Japan 63-25957
[52] **U.S. Cl.** **D14/121**
[58] **Field of Search** **D14/120-121,**
D14/299, 114; 242/71.8, 197-199; 360/132;
206/387

[56]

References Cited

U.S. PATENT DOCUMENTS

4,791,503 12/1988 Yamamoto et al. 360/132

Primary Examiner—Bernard Ansher
Assistant Examiner—Terry A. Pfeffer
Attorney, Agent, or Firm—Young & Thompson

[57]

CLAIM

The ornamental design for an audio cassette, as shown.

DESCRIPTION

FIG. 1 is a perspective view of an audio cassette showing my new design;
FIG. 2 is a front elevational view thereof;
FIG. 3 is a rear elevational view thereof;
FIG. 4 is a top plan view thereof;
FIG. 5 is a bottom plan view thereof;
FIG. 6 is a right side elevational view thereof; and
FIG. 7 is a left side elevational view thereof.

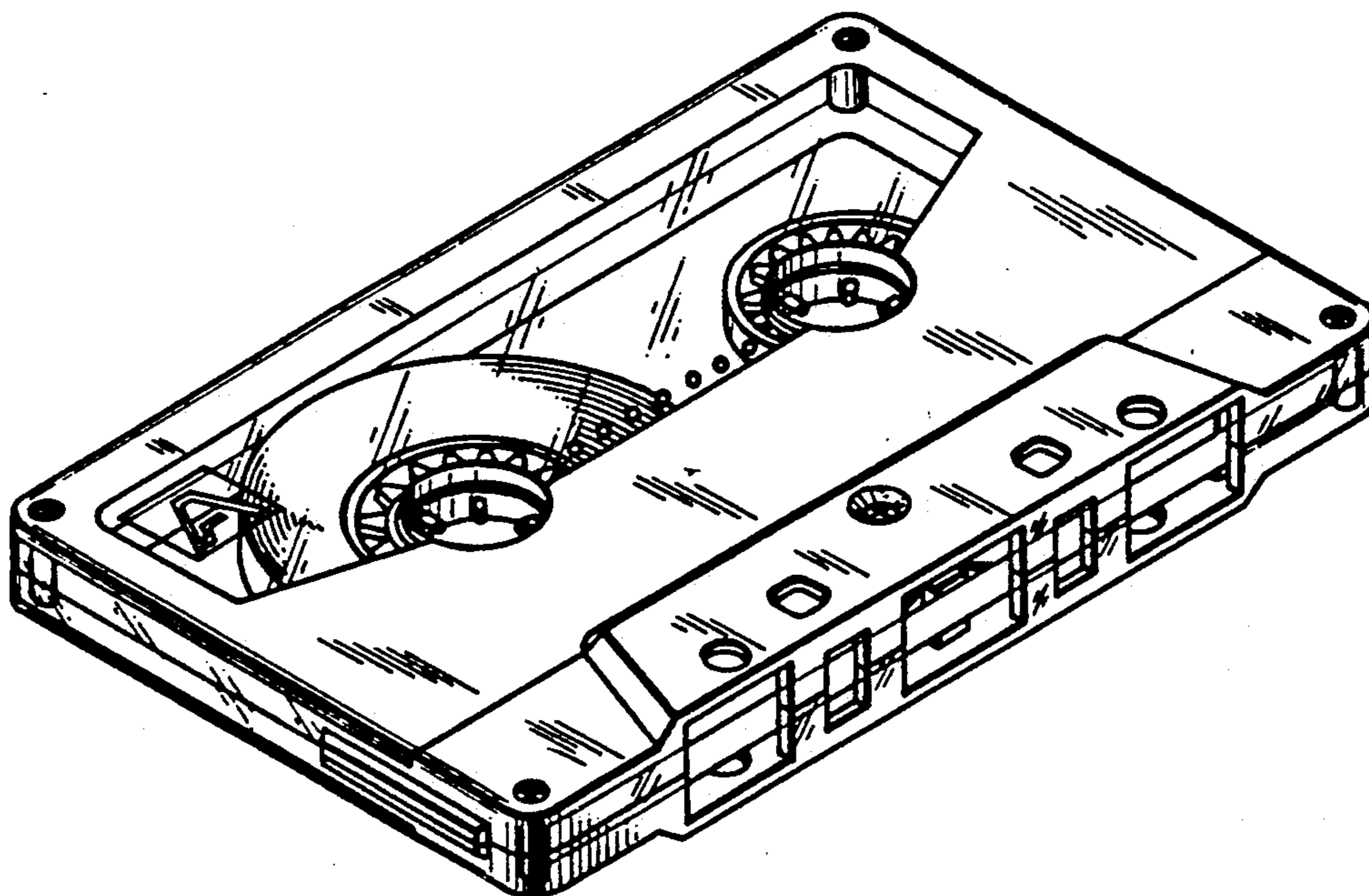


FIG. 1

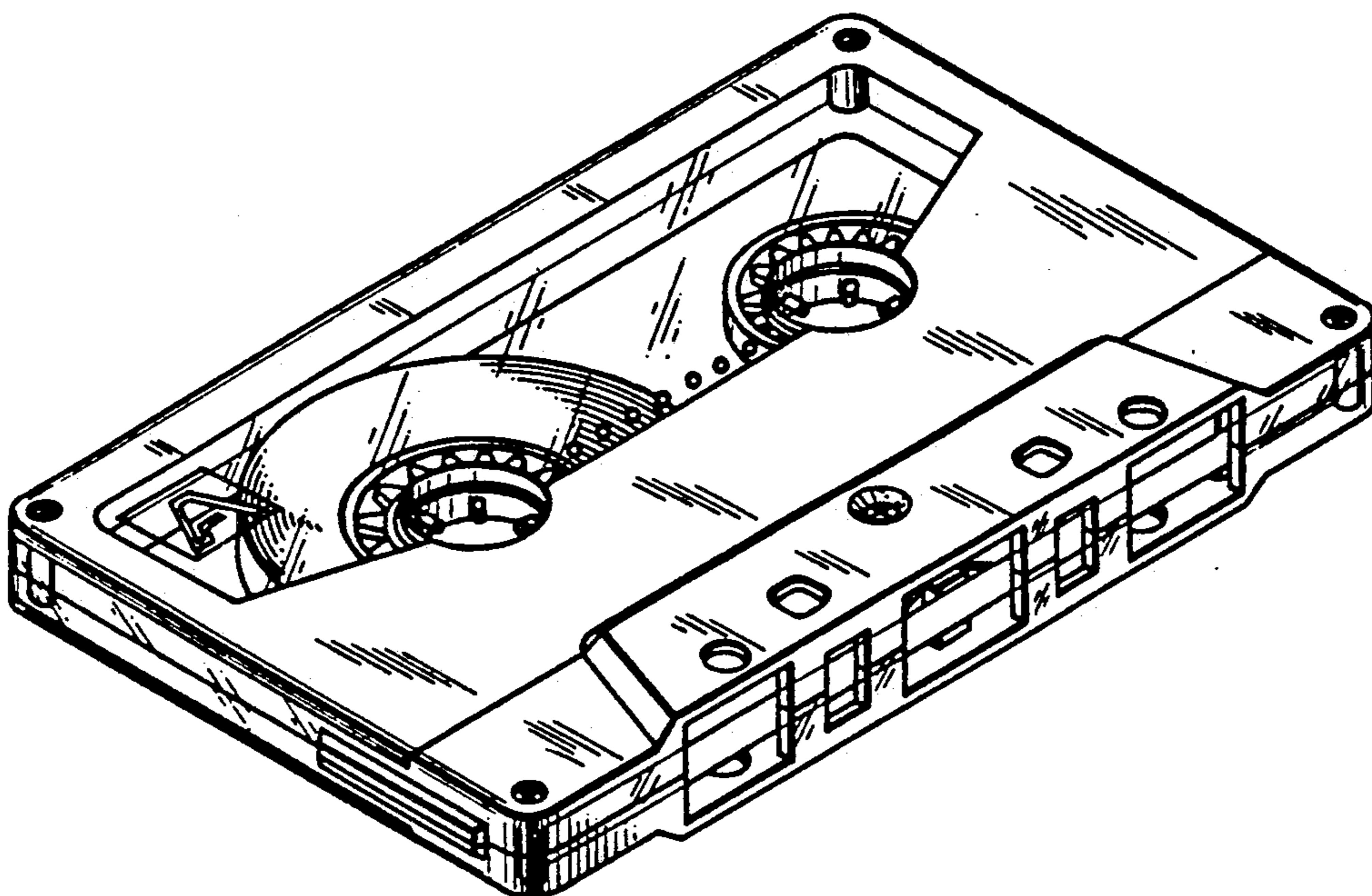


FIG. 2

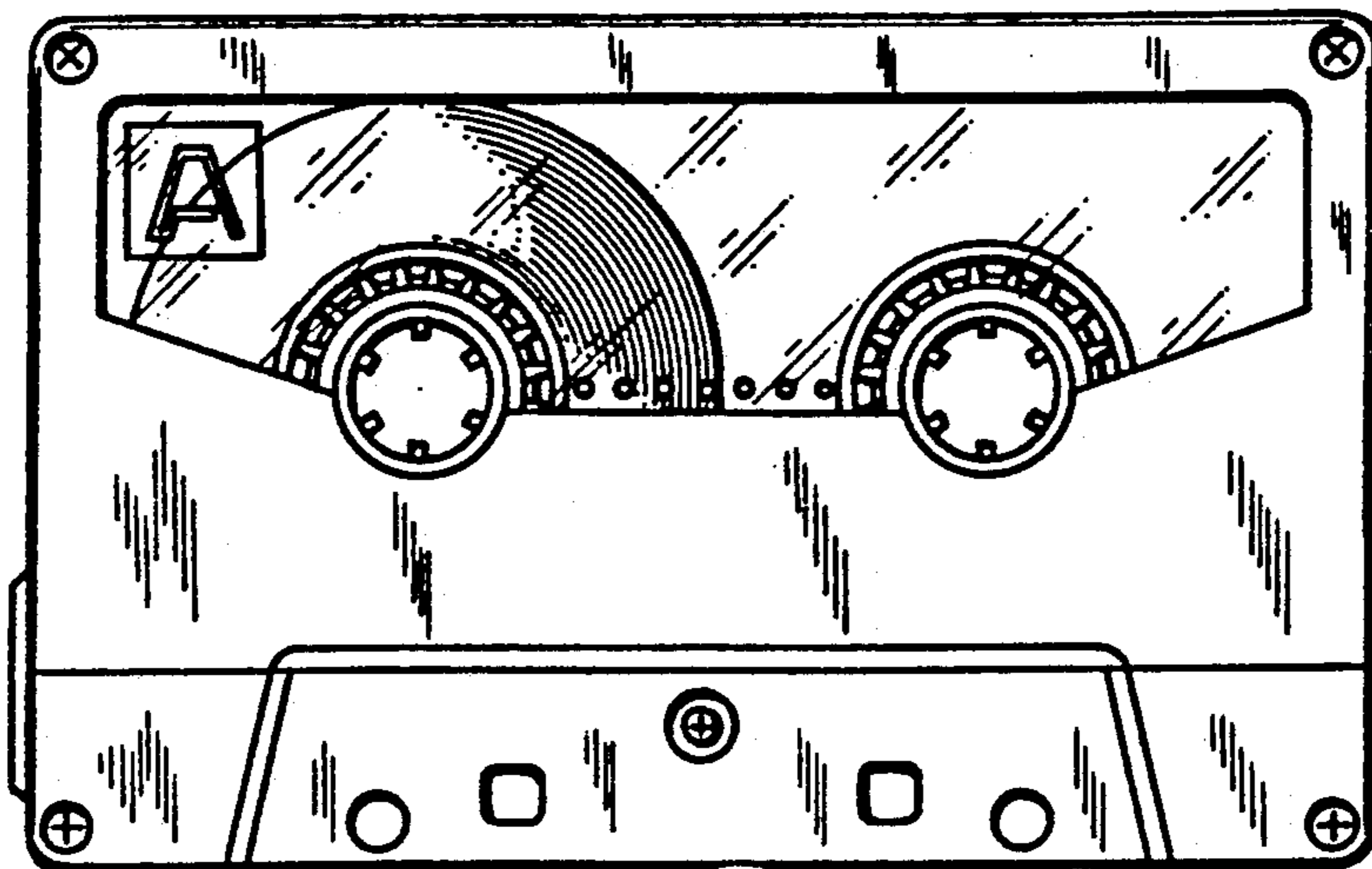


FIG. 3

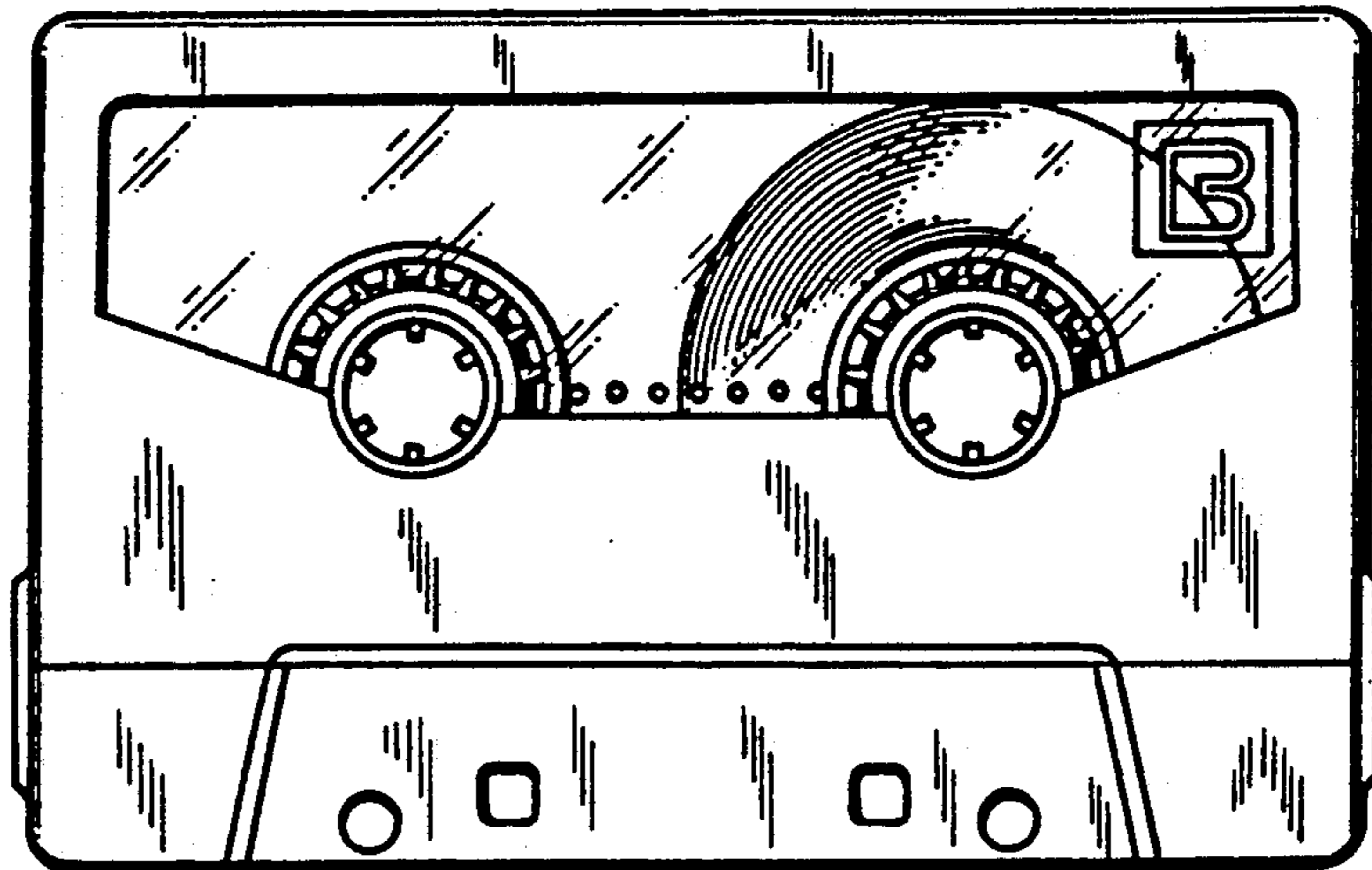


FIG. 4

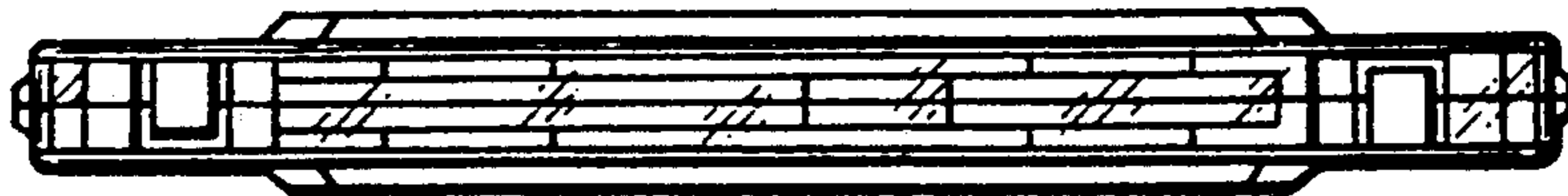


FIG. 5



FIG. 7



FIG. 6

