

[54] **AUDIO CASSETTE**

[75] **Inventor: Fuyuki Yonehara, Tokyo, Japan**

[73] **Assignee: Fuji Photo Film Co., Ltd., Kanagawa, Japan**

[\*\*] **Term: 14 Years**

[21] **Appl. No.: 291,874**

[22] **Filed: Dec. 29, 1988**

[30] **Foreign Application Priority Data**

Jun. 29, 1988 [JP] Japan ..... 63-25959  
[52] **U.S. Cl.** ..... **D14/121**  
[58] **Field of Search** ..... **D14/120-121;**  
**242/71.8, 197-199; 360/132; 206/387**

[56] **References Cited**  
**U.S. PATENT DOCUMENTS .**

D. 308,866 6/1990 Kinoshita et al. .... D14/120

*Primary Examiner*—Bernard Ansher  
*Assistant Examiner*—Terry A. Pfeffer  
*Attorney, Agent, or Firm*—Young & Thompson

[57] **CLAIM**

The ornamental design for an audio cassette, as shown.

**DESCRIPTION**

FIG. 1 is a perspective view of an audio cassette showing my new design;  
FIG. 2 is a front elevational view thereof;  
FIG. 3 is a rear elevational view thereof;  
FIG. 4 is a top plan view thereof;  
FIG. 5 is a bottom plan view thereof;  
FIG. 6 is a right side elevational view thereof; and  
FIG. 7 is a left side elevational view thereof.

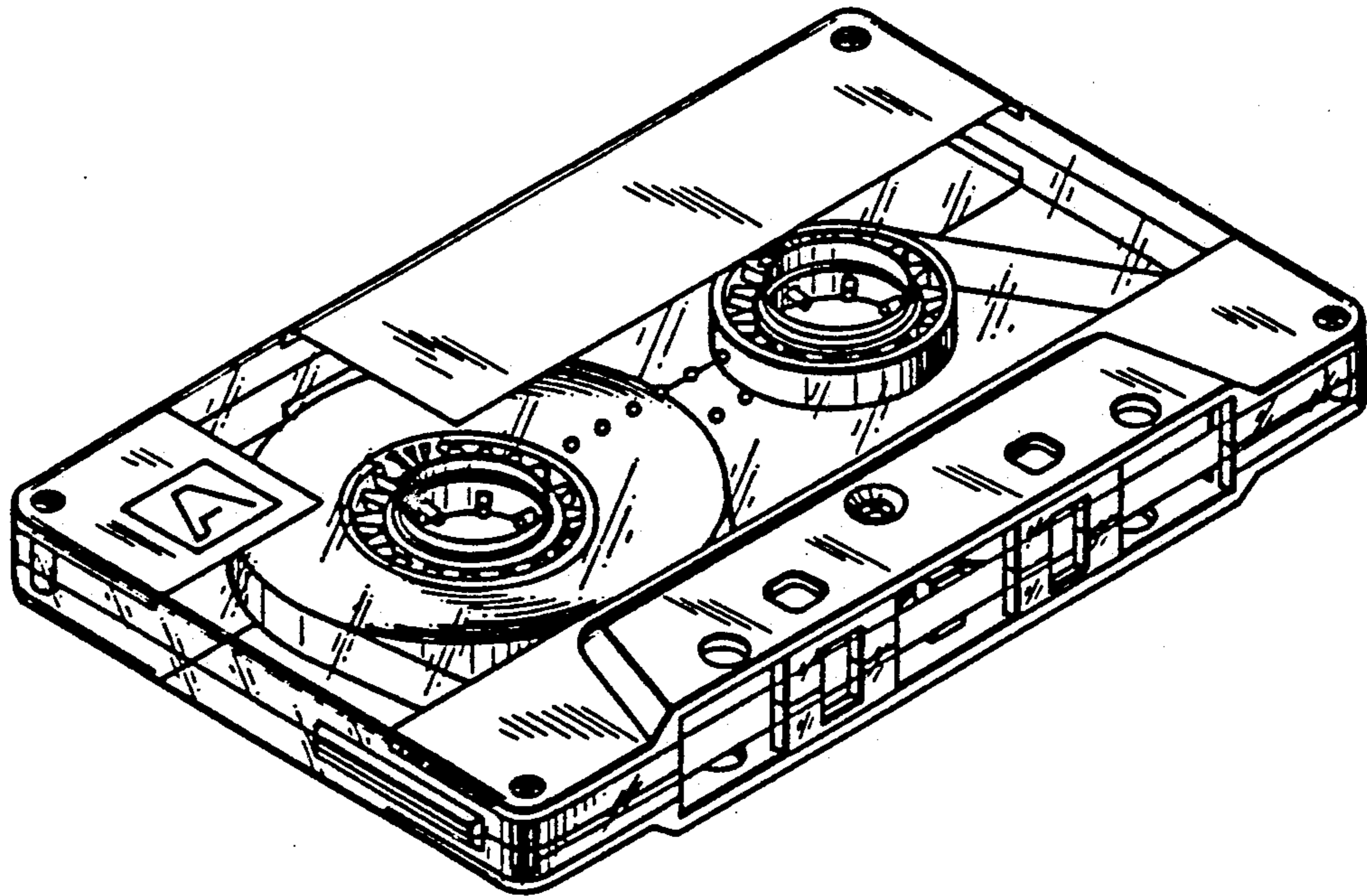


FIG. 1

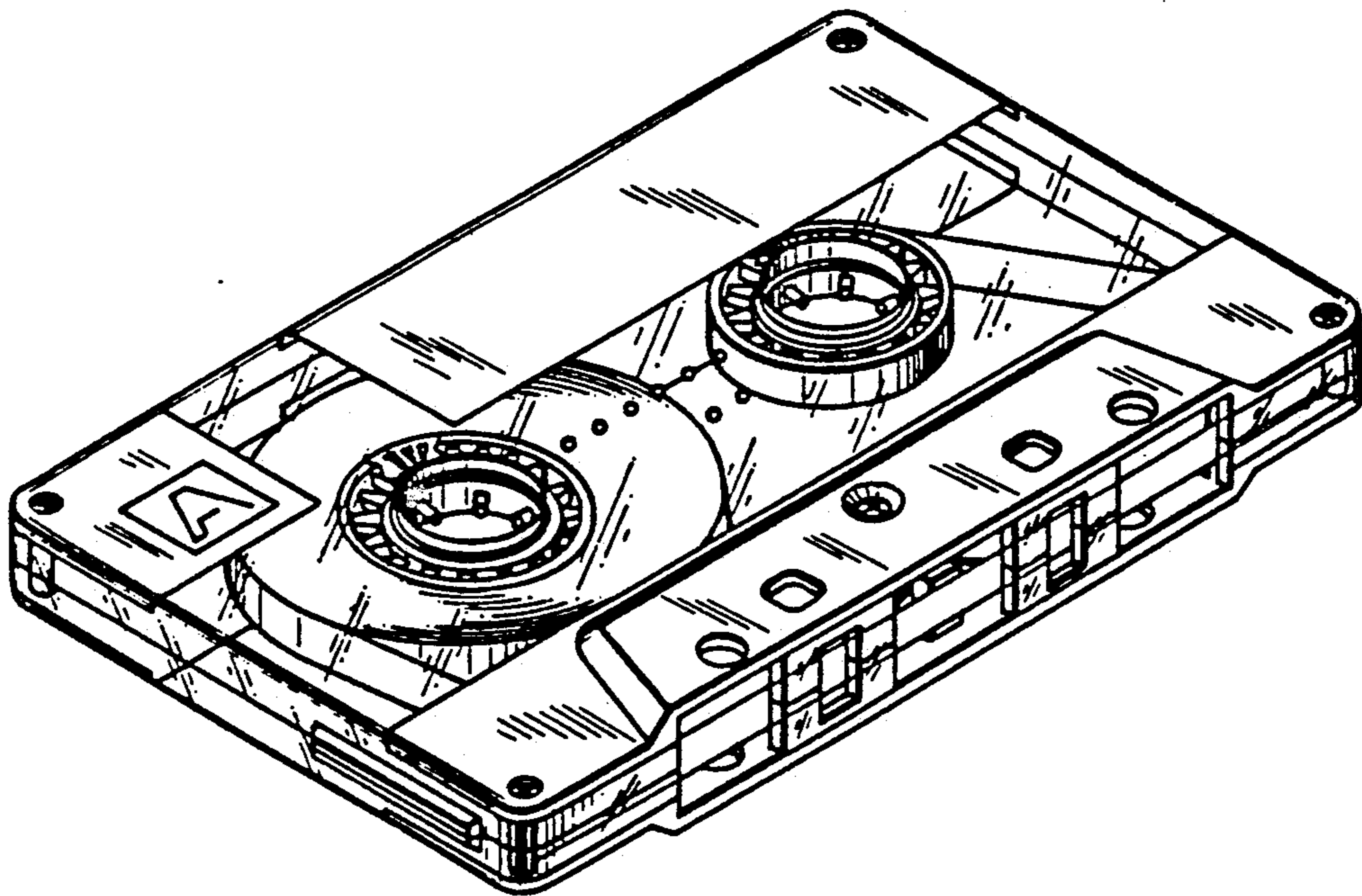


FIG. 2

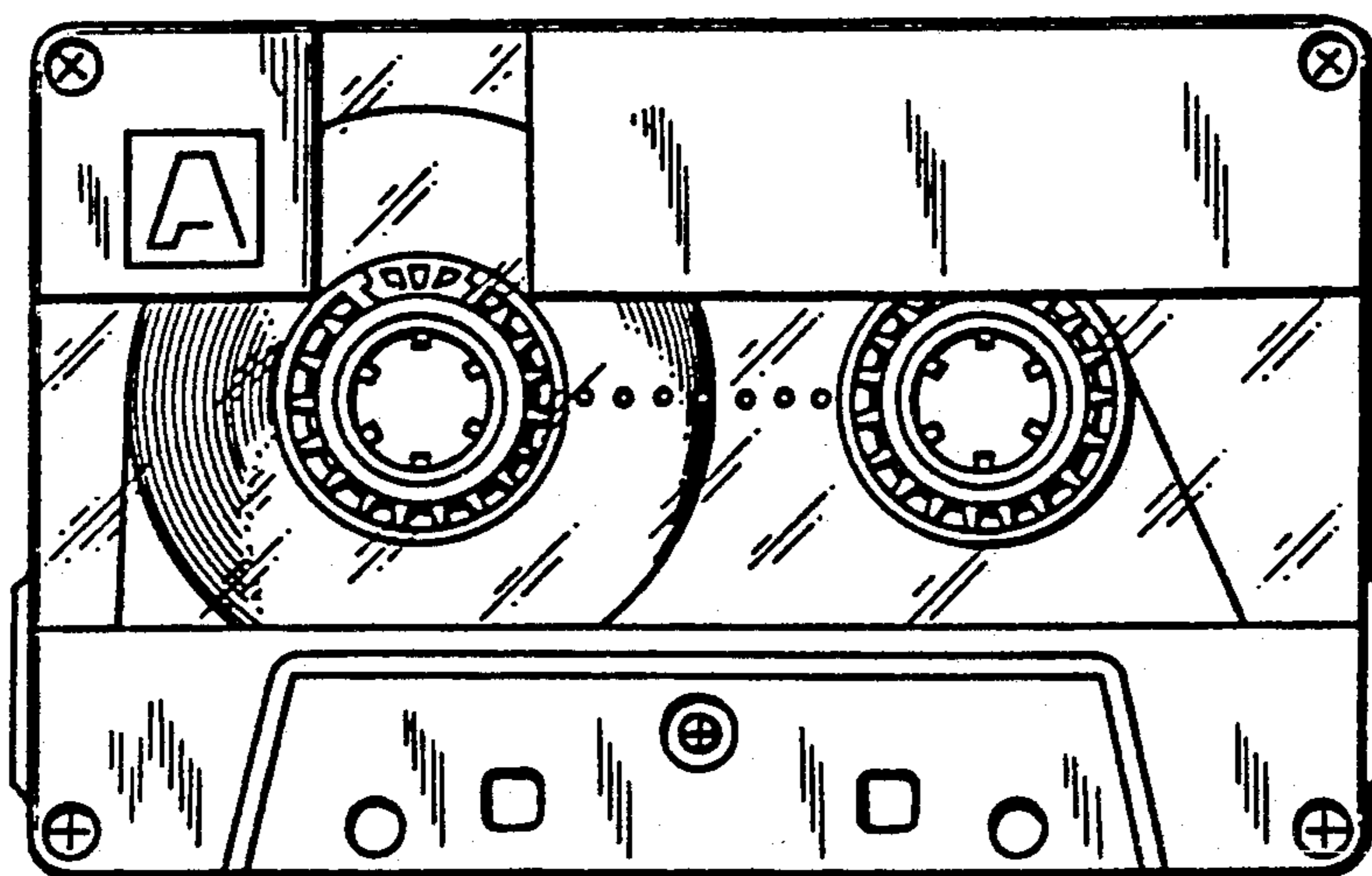


FIG. 3

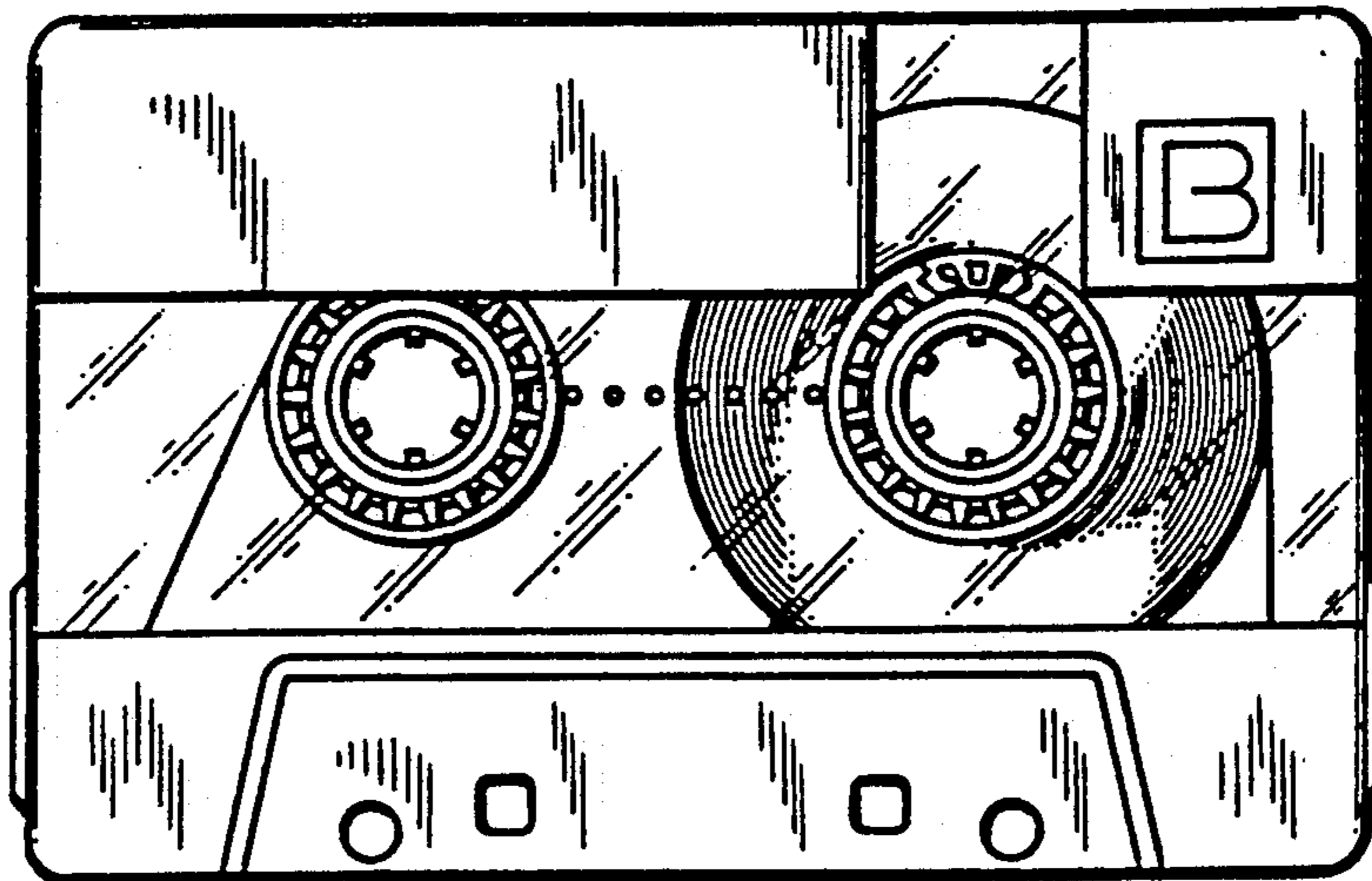


FIG. 4

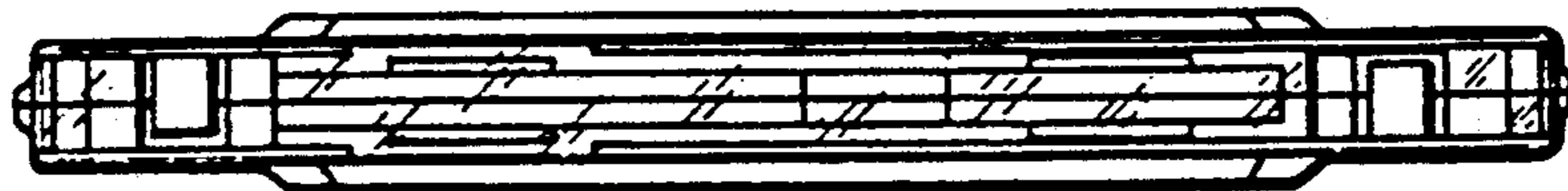


FIG. 5



FIG. 7



FIG. 6

