

[54] FACSIMILE TRANSCEIVER

[75] Inventors: Masaru Yokoyama, Kokubunji; Masahiro Saegusa, Mitaka; Yuuji Kawano, Yokohama; Taichirou Yamashita, Chigasaki; Hiroshi Endo, Yokohama, all of Japan

[73] Assignee: Hitachi, Ltd., Tokyo, Japan

[**] Term: 14 Years

[21] Appl. No.: 392,149

[22] Filed: Aug. 10, 1989

[52] U.S. Cl. D14/118

[58] Field of Search D14/118, 299; D18/36, D18/37; 358/400, 401

[56] References Cited

U.S. PATENT DOCUMENTS

D. 299,494	1/1989	Tsuruoka	D14/118
D. 301,879	6/1989	Ooie et al.	D14/118
D. 304,450	11/1989	Hosogai et al.	D14/118
D. 304,578	11/1989	Saegusa et al.	D14/118
D. 306,018	2/1990	Hara et al.	D14/118

OTHER PUBLICATIONS

Modern Office Technology; Dec. 1986; p. 37; Toshiba Model TF-341.

Modern Office Technology; Nov. 1987; p. 11; Ricoh Models FAX20 and FAX60.

The Office; May 1988; p. 96; NEC Model NEFAX 3EX.

Primary Examiner—Theodore M. Shooman

Attorney, Agent, or Firm—Antonelli, Terry, Stout & Kraus

[57] CLAIM

The ornamental design for a facsimile transceiver, as shown and described.

DESCRIPTION

FIG. 1 is a front, top and left side perspective view of a facsimile transceiver showing our new design; FIG. 2 is front elevational view thereof; FIG. 3 is a right side elevational view thereof; FIG. 4 is a top plan view thereof; FIG. 5 is a left side elevational view thereof; FIG. 6 is a bottom plan view thereof; FIG. 7 is a rear elevational view thereof; and FIG. 8 is a front, top and left side perspective view thereof, shown with the handset in an alternate position and the cover in an open position.

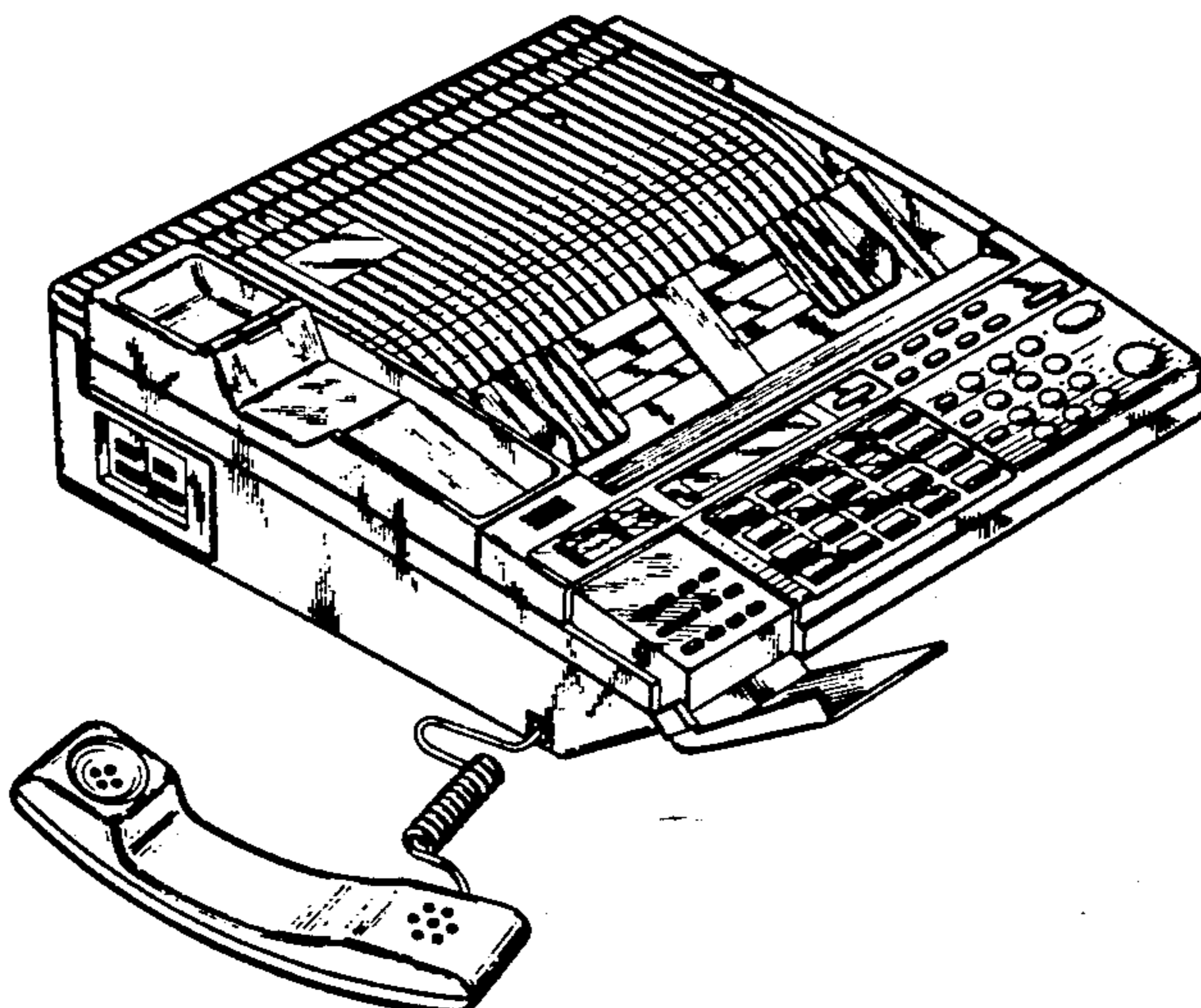
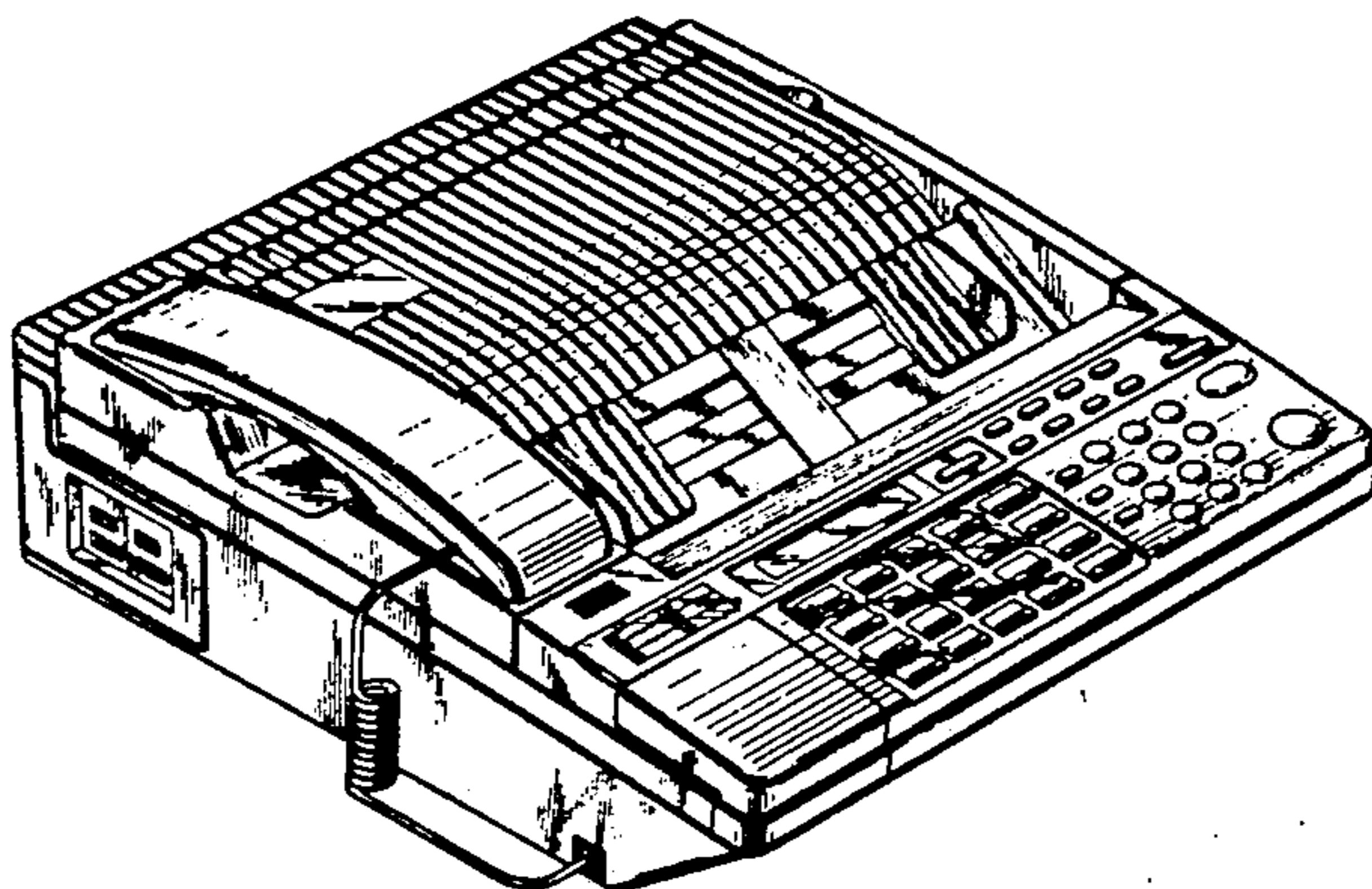


FIG. 1

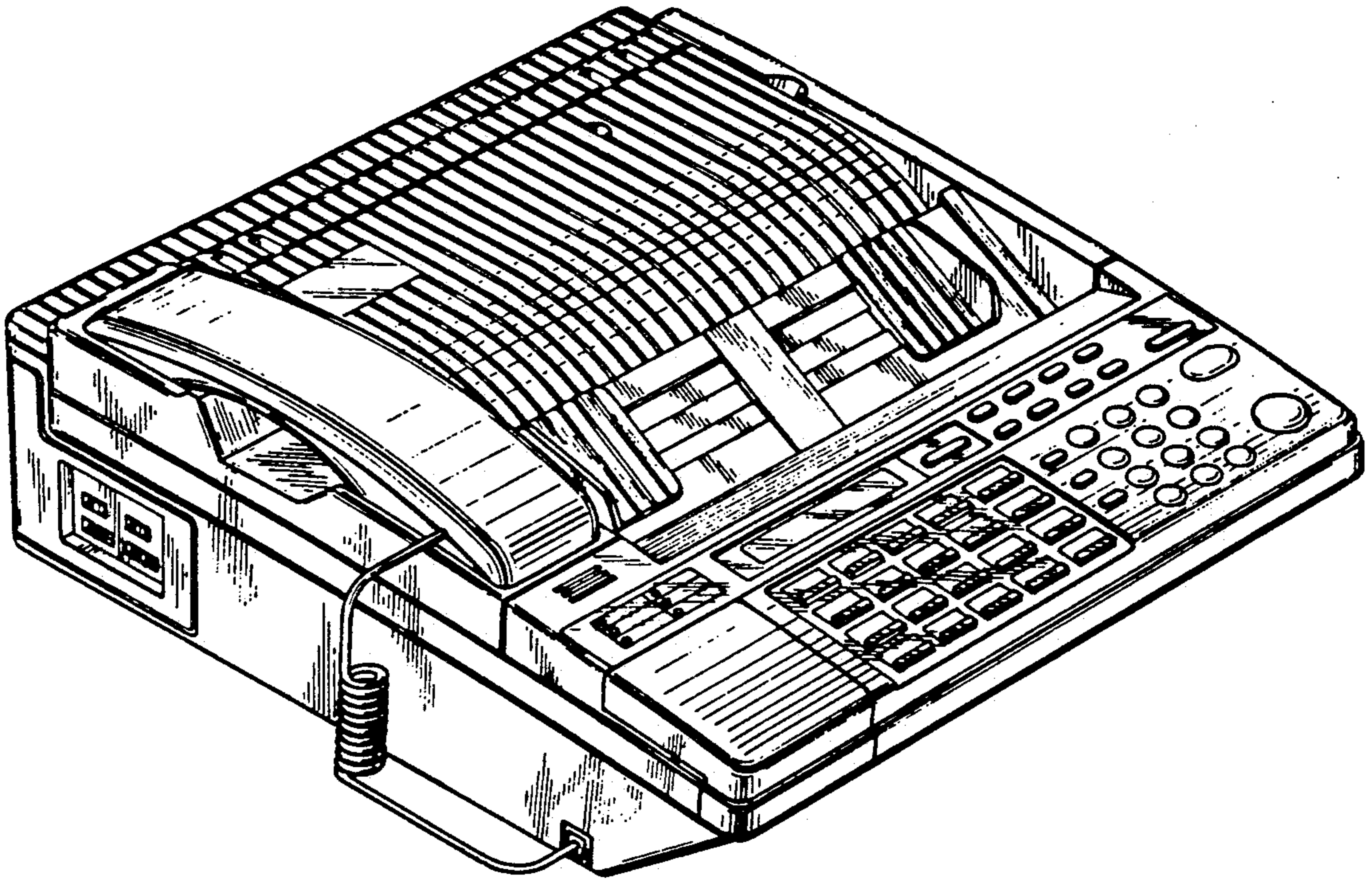


FIG. 2

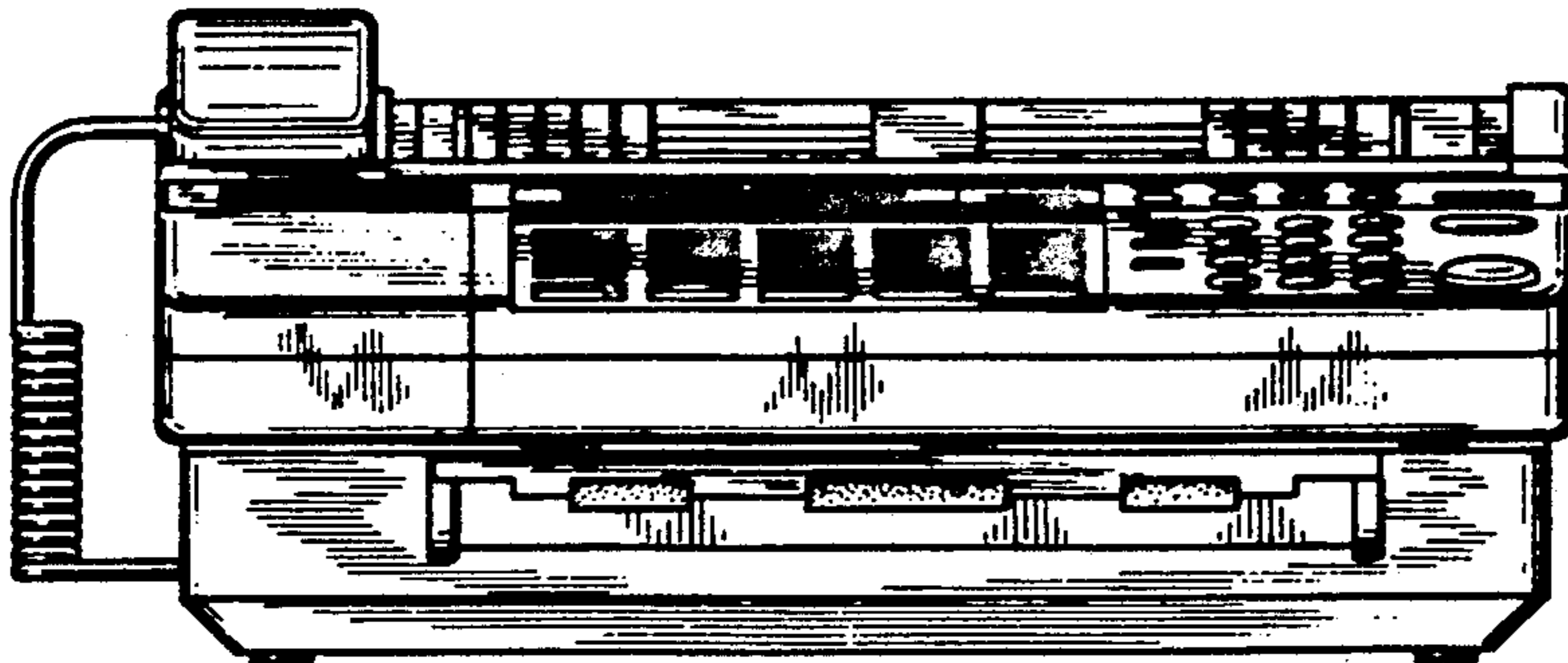


FIG. 3

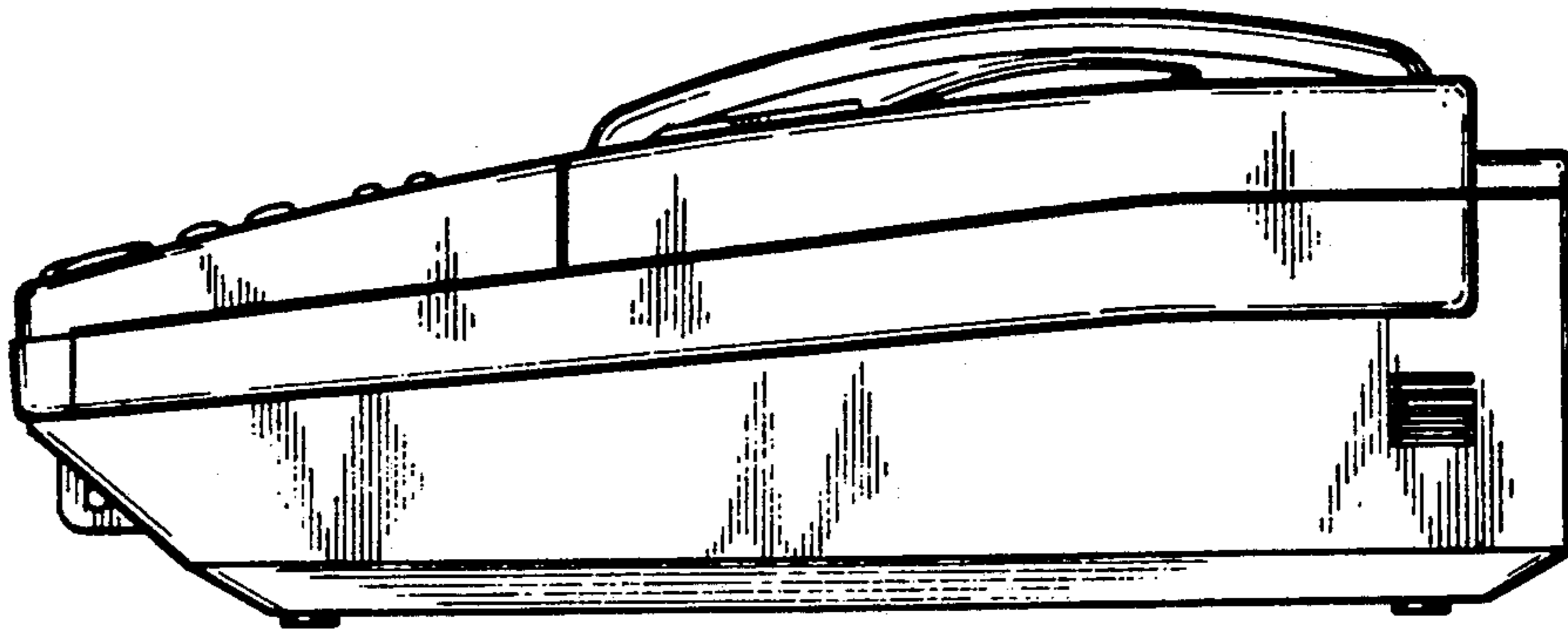


FIG. 4

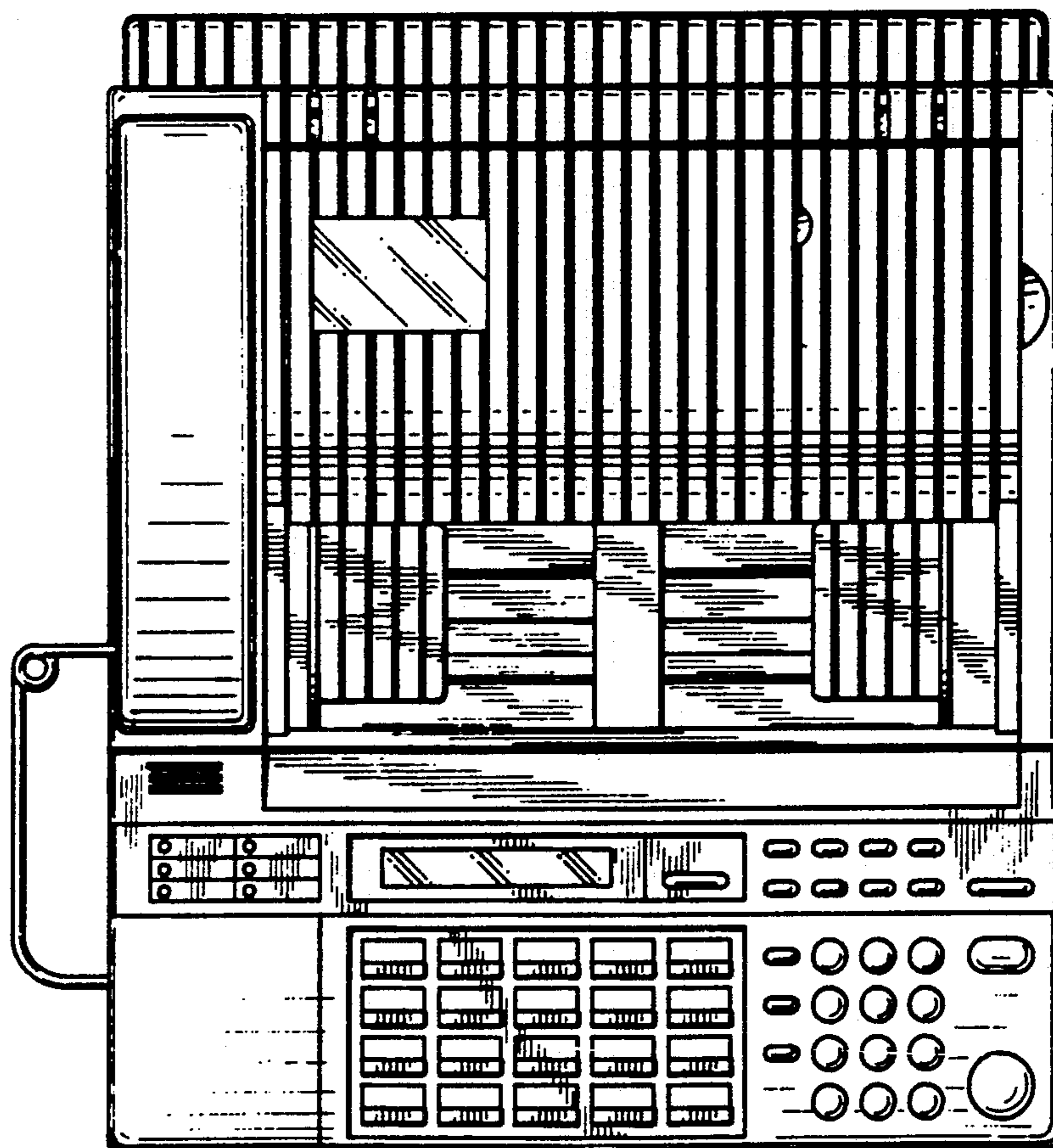


FIG. 5

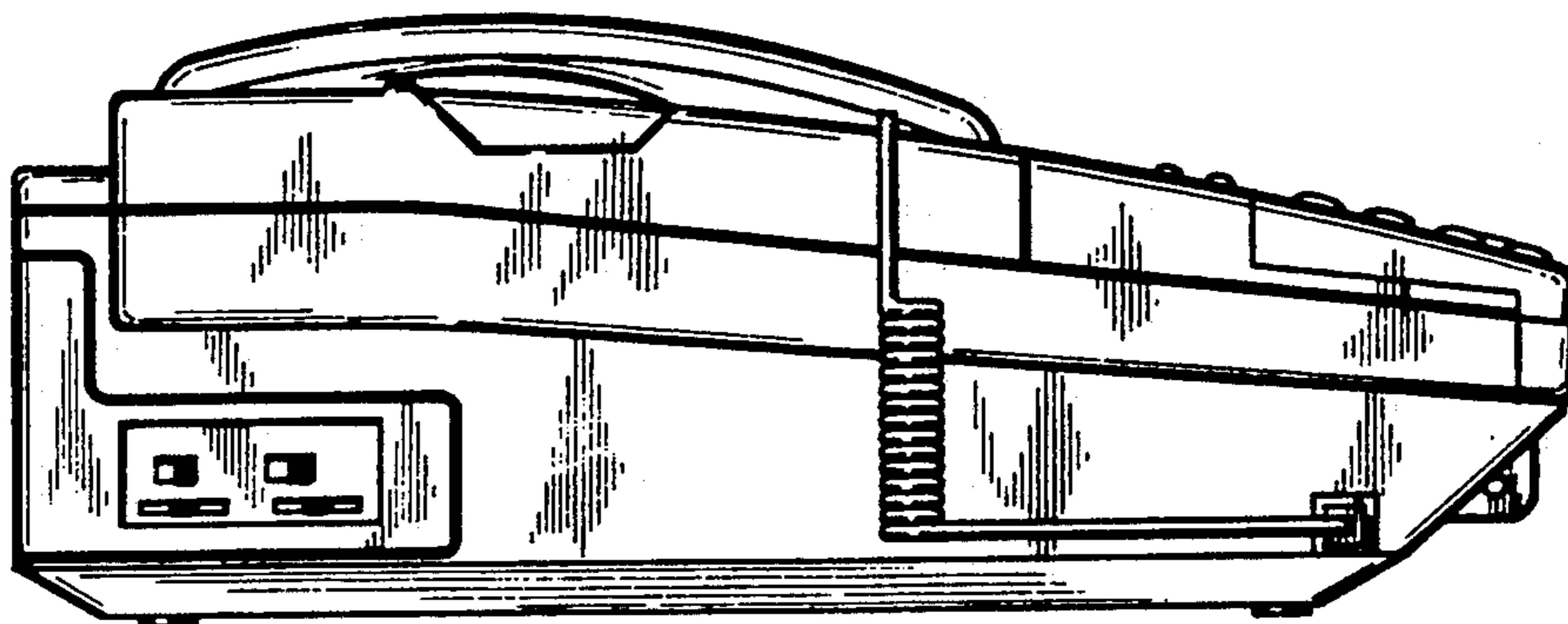


FIG. 6

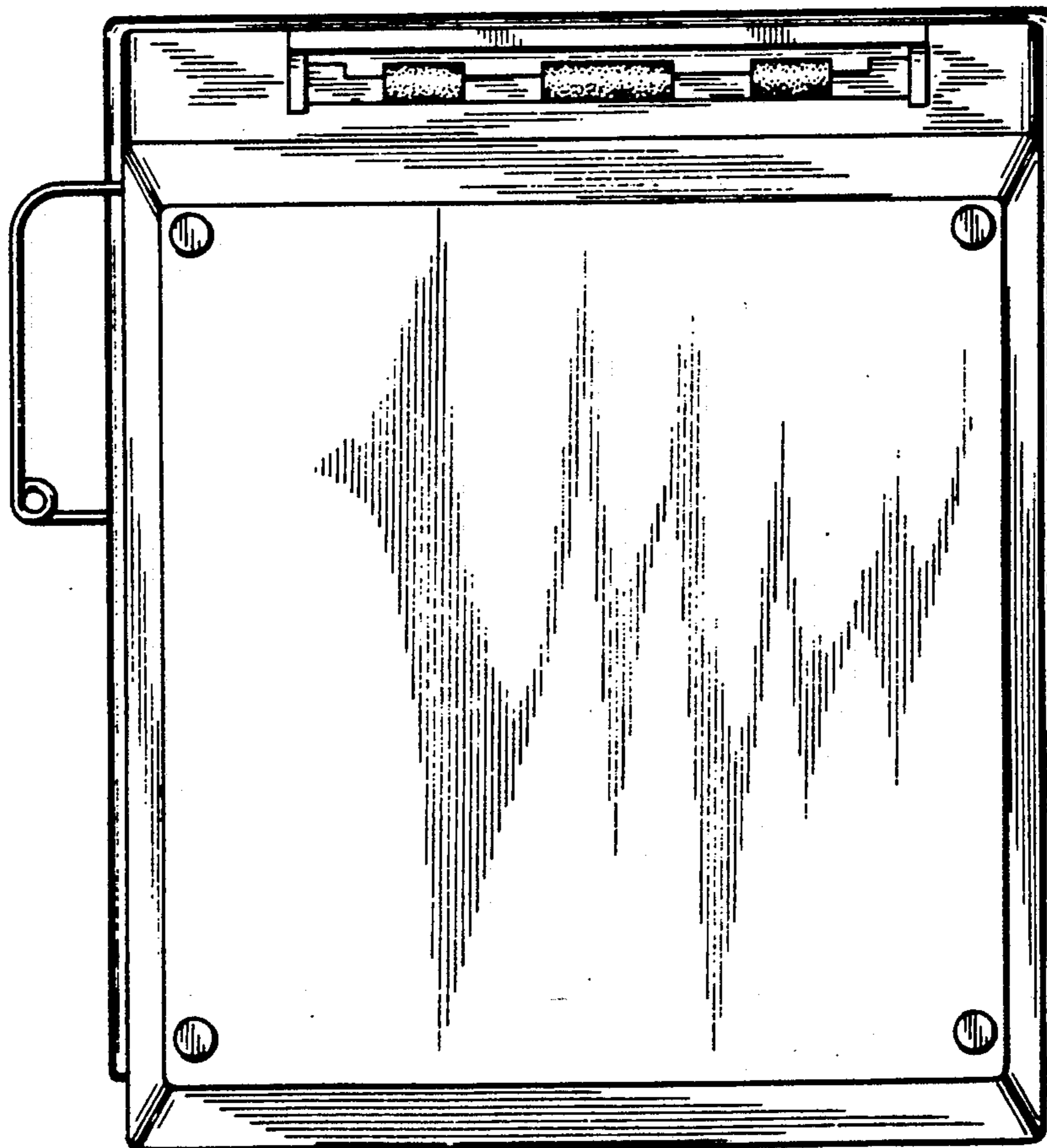


FIG. 7

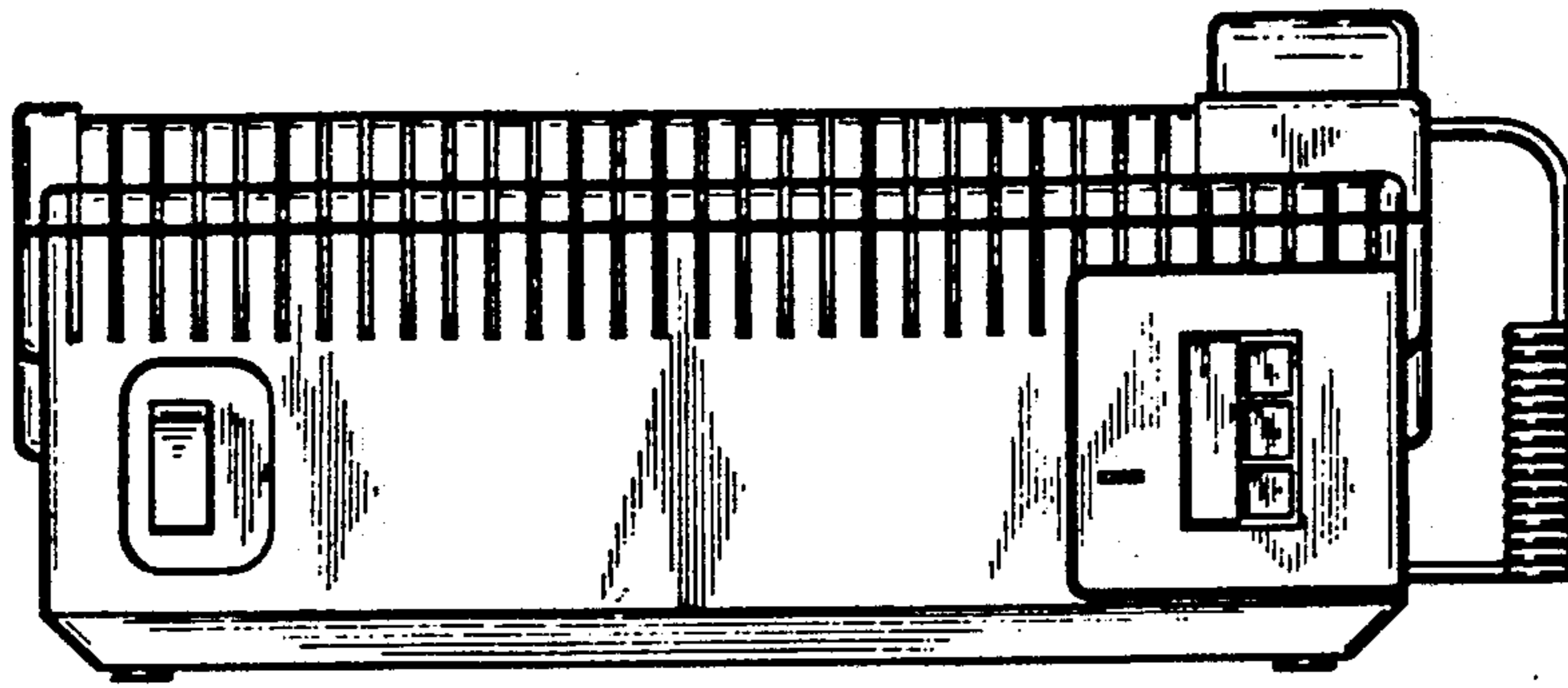


FIG. 8

