

[54] **SINGLE SWITCH ELECTRIC FAN CONTROL**

[75] **Inventor: Allan M. Dob, Clifton, N.J.**

[73] **Assignee: SSMC Inc., Edison, N.J.**

[\*\*] **Term: 14 Years**

[21] **Appl. No.: 328,356**

[22] **Filed: Mar. 24, 1989**

[52] **U.S. Cl. .... D13/162; D13/169;  
D13/177; D13/158; D8/353**

[58] **Field of Search ..... D13/158, 162, 169, 177;  
D8/350, 353; 220/241, 242; 174/66, 67; 200/11  
R, 339, 553**

[56] **References Cited**

**U.S. PATENT DOCUMENTS**

- D. 212,093 8/1968 De Smidt ..... D8/353
- D. 297,508 9/1988 Yandek et al. .... D8/353
- D. 304,442 11/1989 Fenne ..... D8/353 X

- 2,905,776 9/1959 Eisenberg et al. .... 200/245 X
- 3,706,869 12/1972 Sorenson ..... D13/169 X
- 4,532,387 7/1985 Pliml, Jr. .... 200/11 R

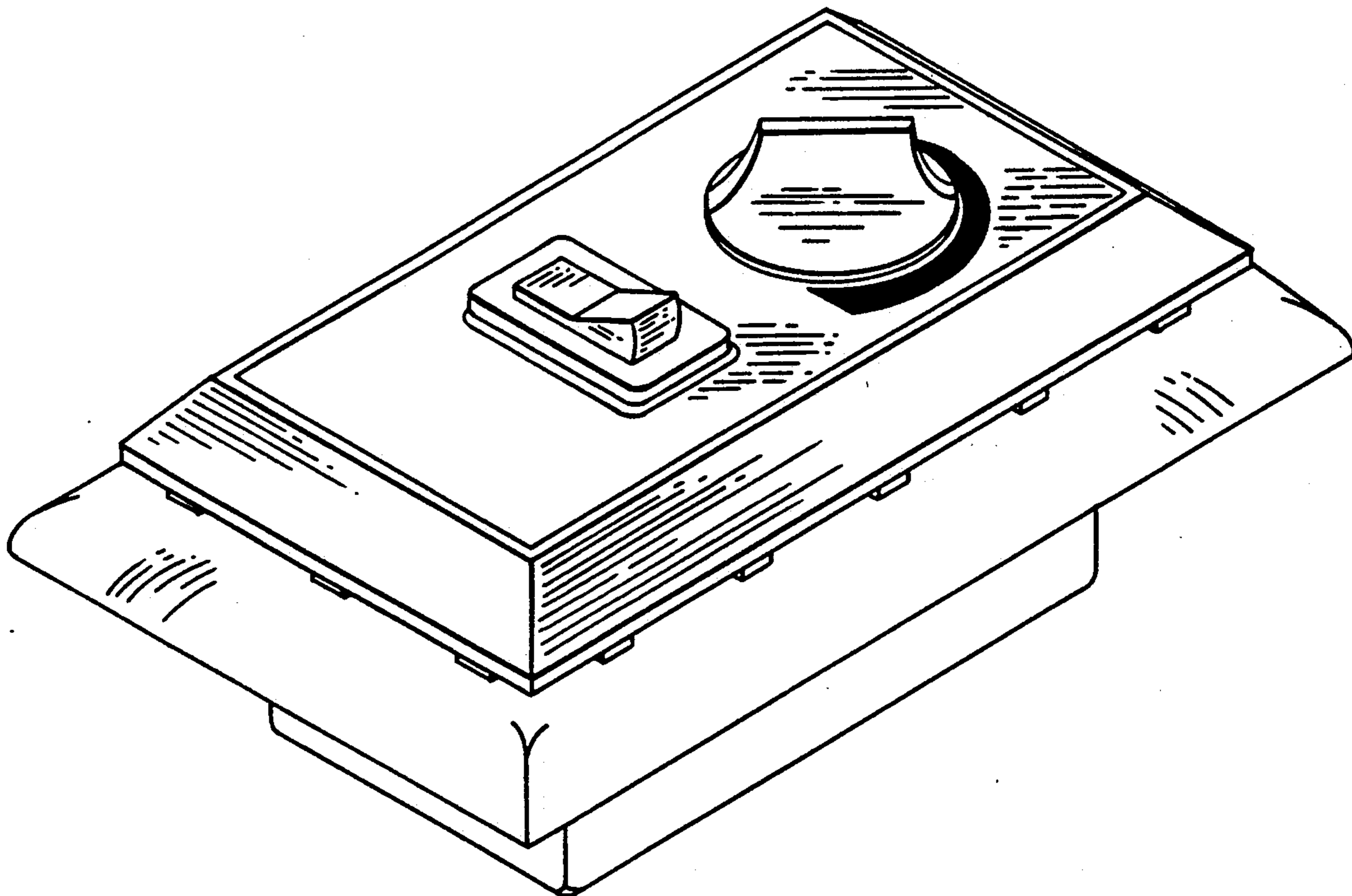
*Primary Examiner*—Susan J. Lucas  
*Assistant Examiner*—Joel Sincavage  
*Attorney, Agent, or Firm*—Theodore Jay

[57] **CLAIM**

The ornamental design for a single switch electric fan control, as shown and described.

**DESCRIPTION**

FIG. 1 is a front isometric view of single switch electric fan control showing my new design;  
FIG. 2 is a top plan view of a single switch electric fan control showing my new design on a reduced scale;  
FIG. 3 is a front elevational view thereof;  
FIG. 4 is a left side elevational view thereof;  
FIG. 5 is a rear end elevational view thereof;  
FIG. 6 is a bottom plan view thereof;  
FIG. 7 is a right side elevational view thereof.



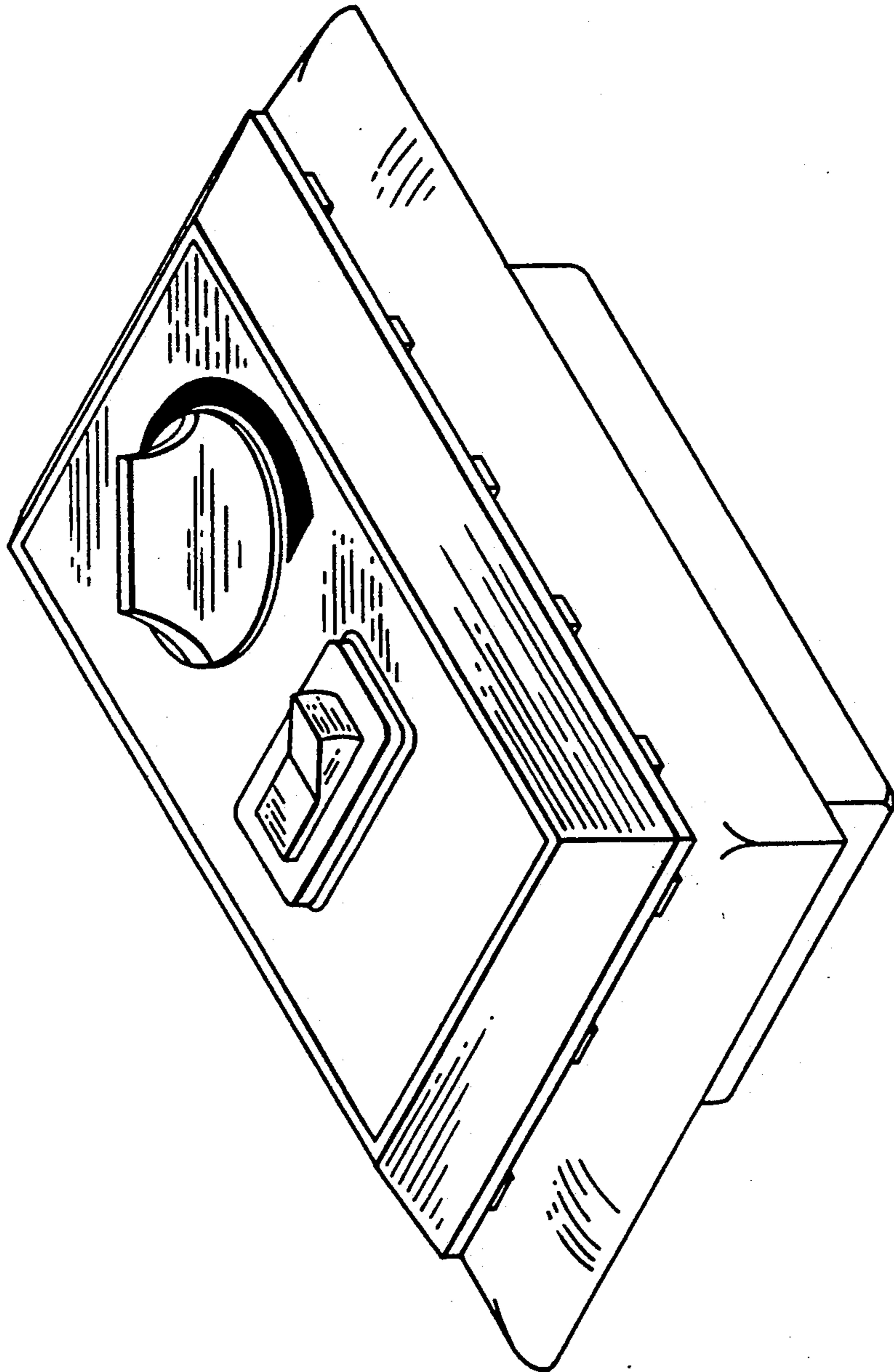


Fig. 1

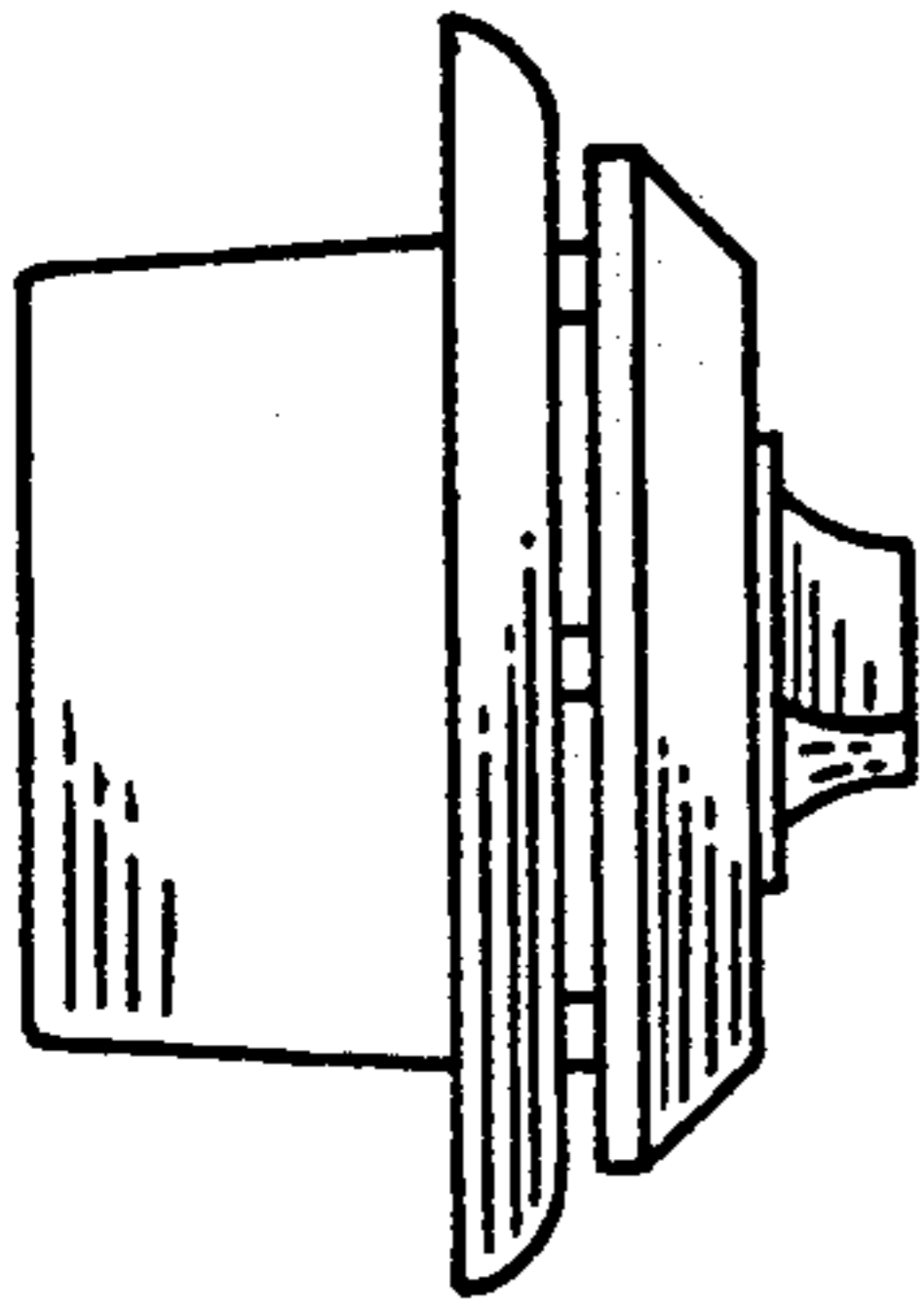


Fig. 2

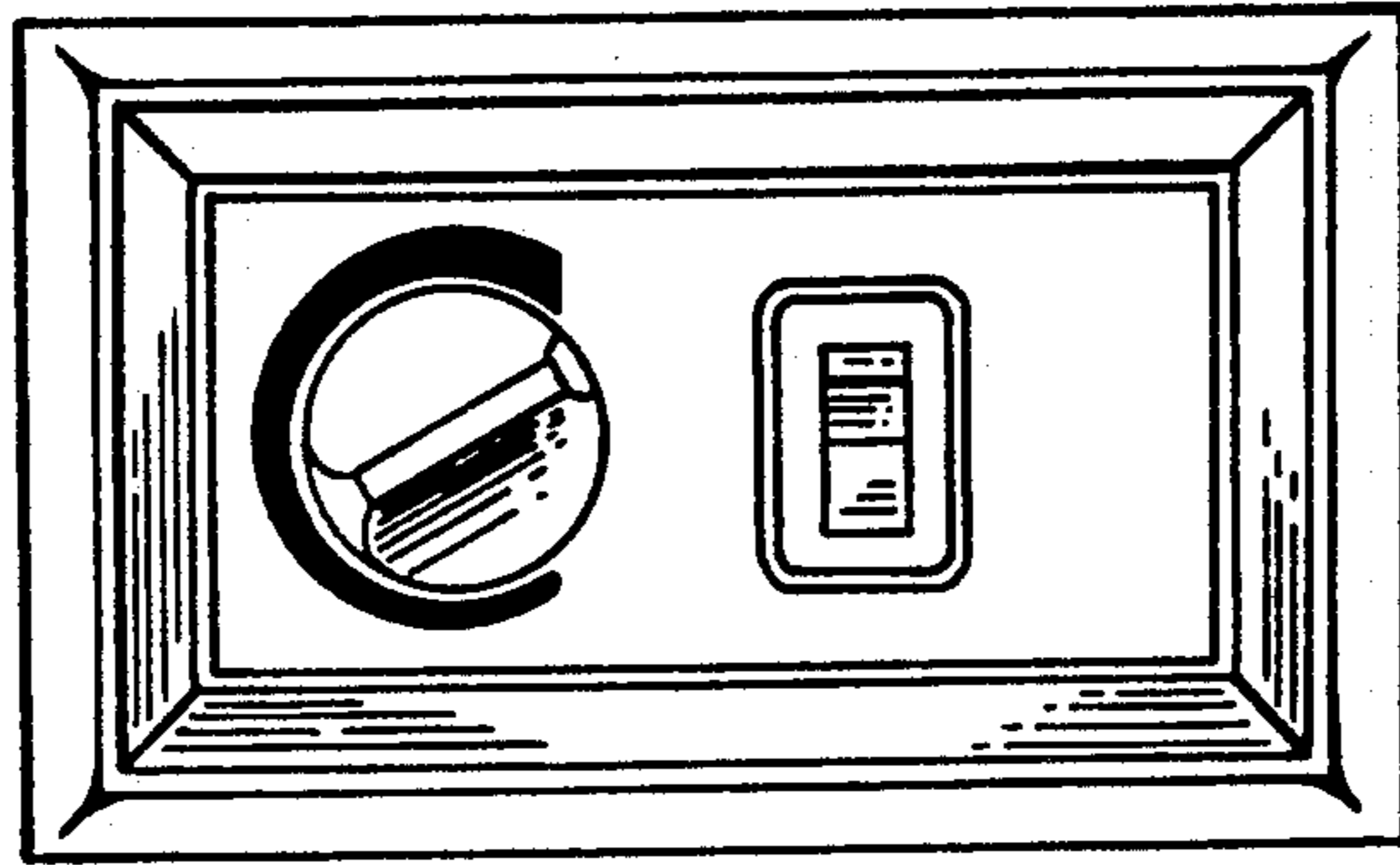


Fig. 3

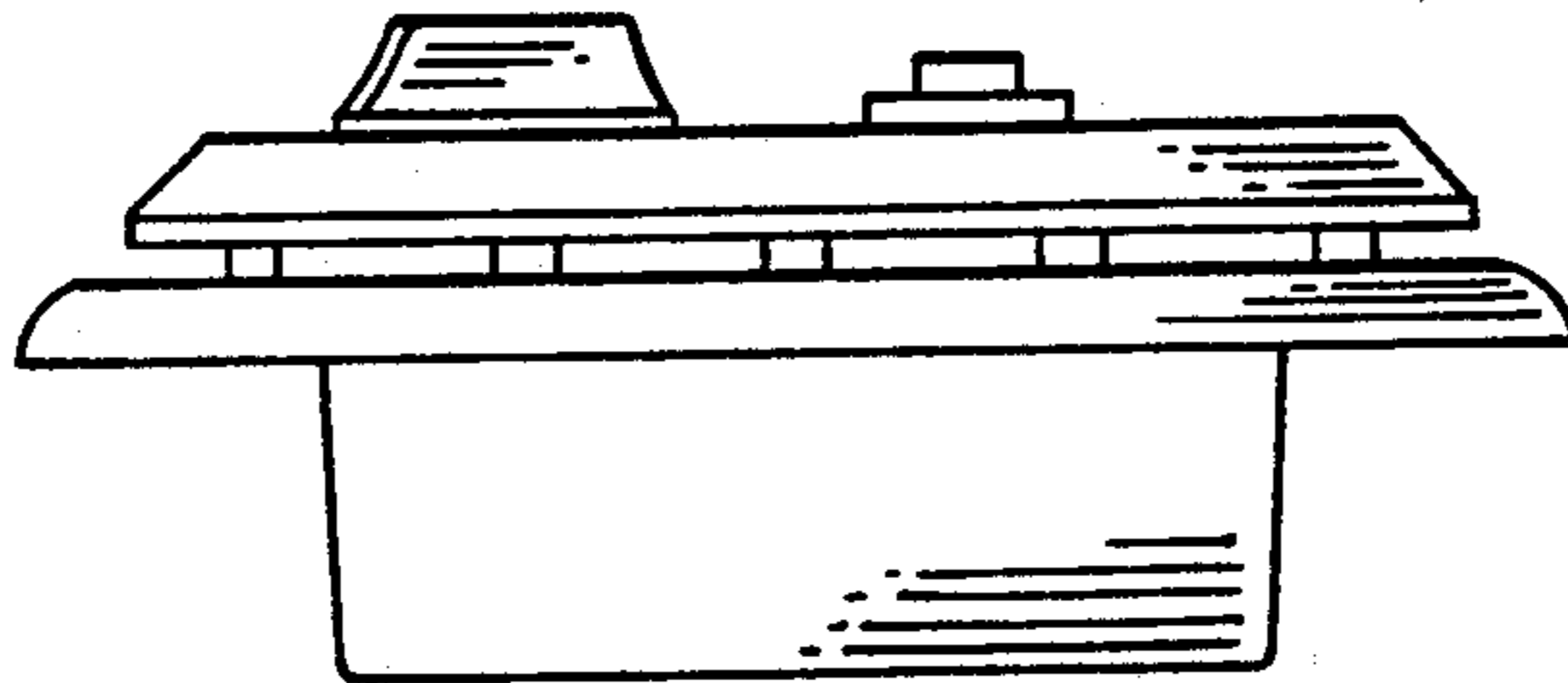


Fig. 4

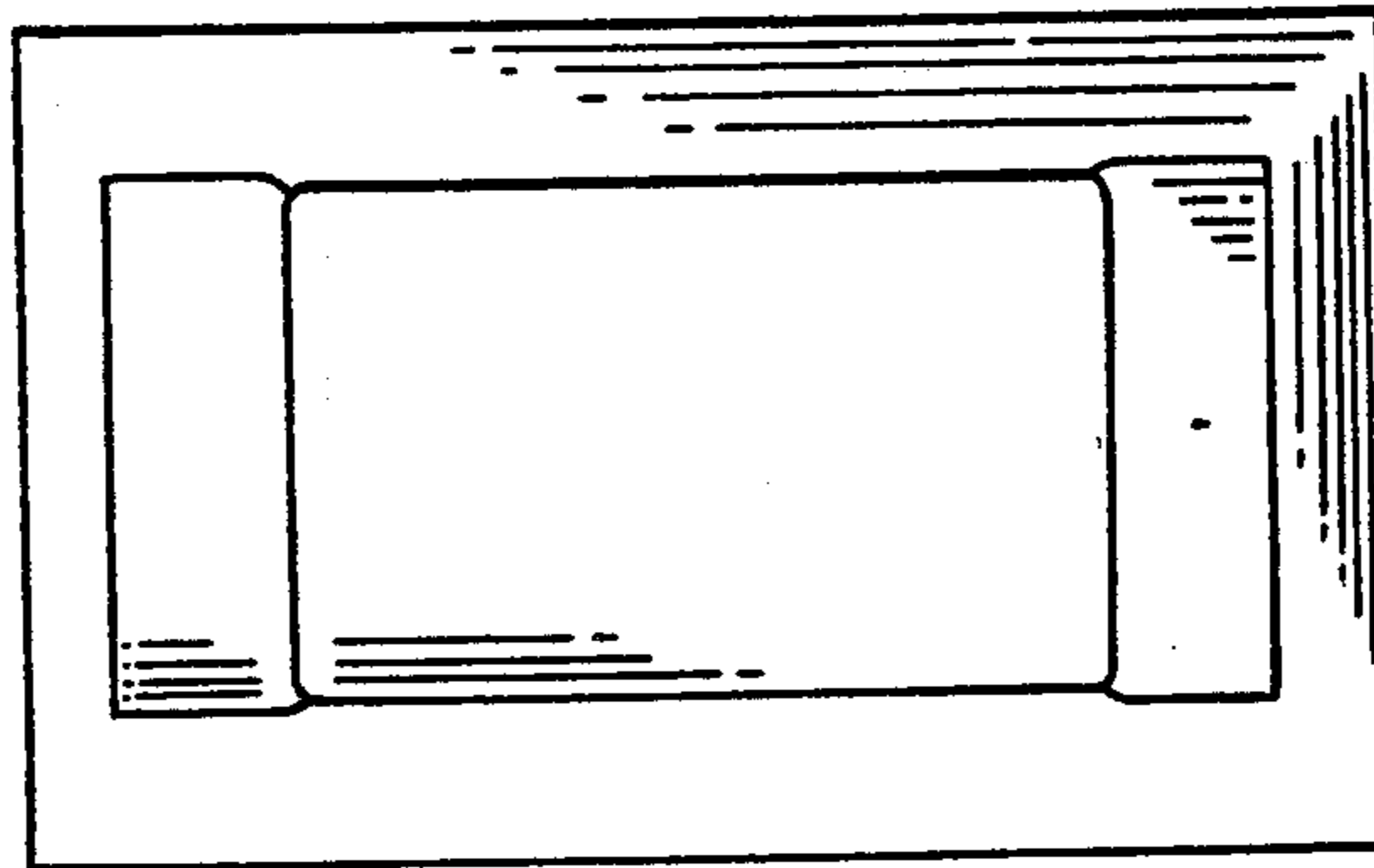


Fig. 5

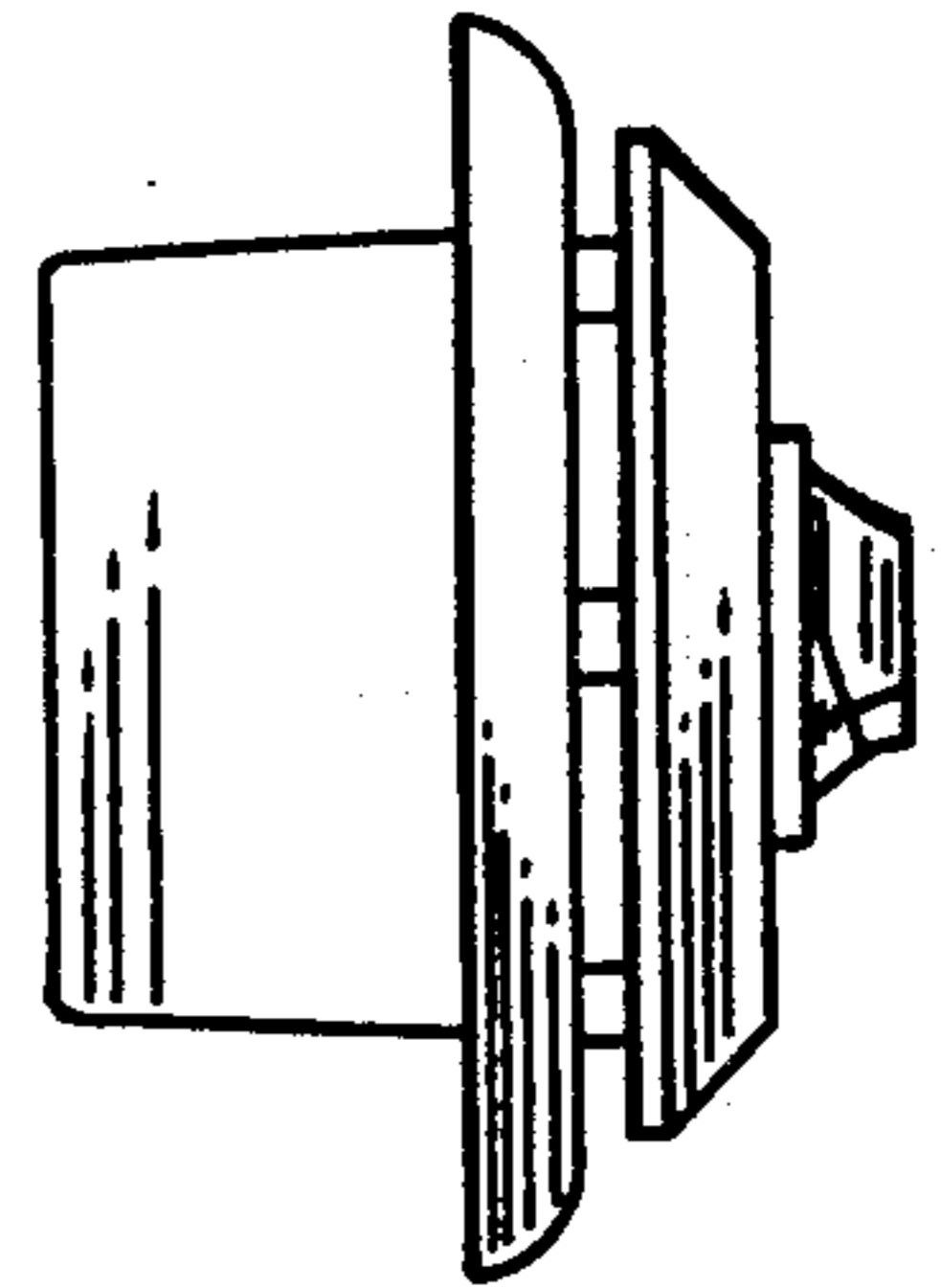


Fig. 6

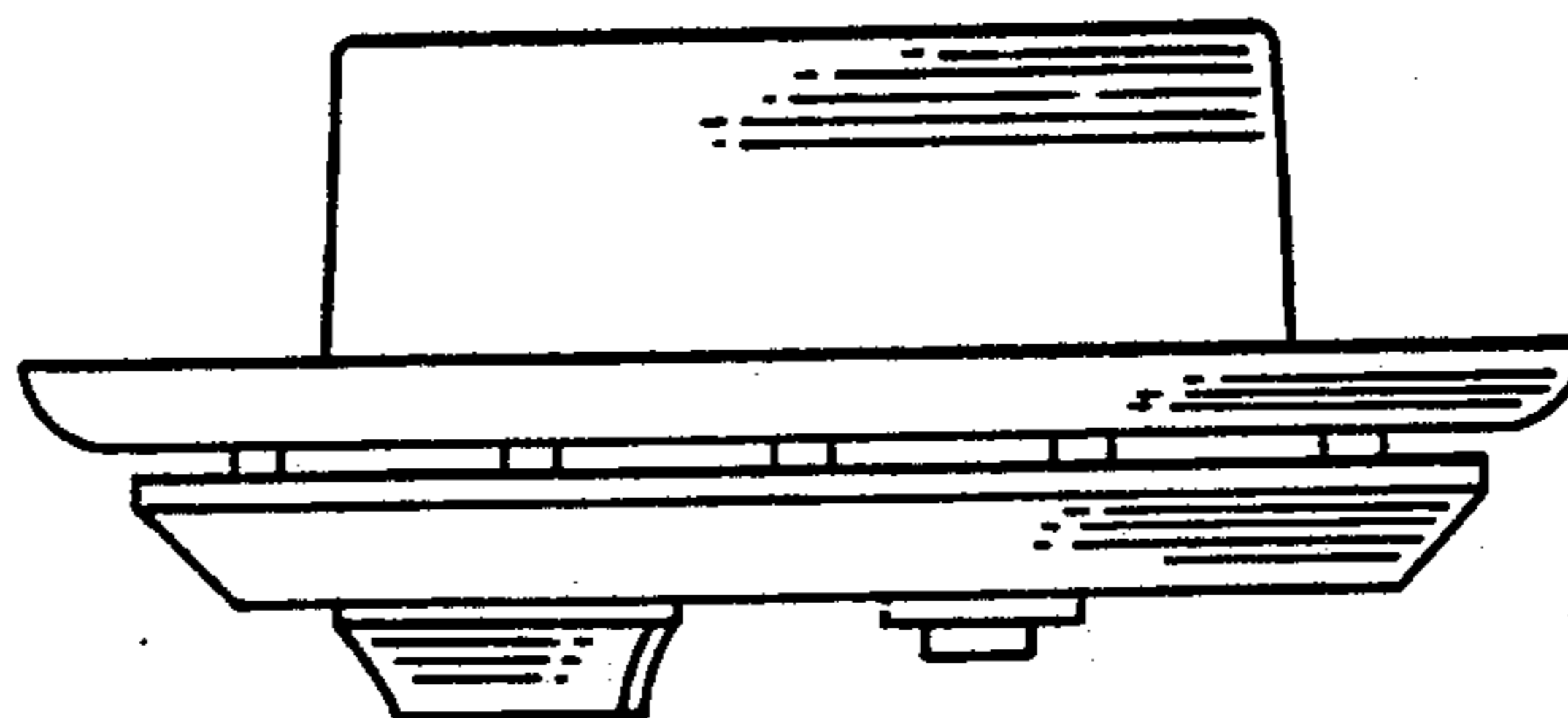


Fig. 7