

[54] **DOCK POST BUMPER**
[76] **Inventor: Kevin D. Kruckenberg, 28681 N. Harrison Ave., Wauconda, Ill. 60084**
[**] **Term: 14 Years**
[21] **Appl. No.: 282,295**
[22] **Filed: Dec. 9, 1988**
[52] **U.S. Cl. D12/168; D12/317**
[58] **Field of Search D12/168, 317; D8/400, D8/402, 499; 16/86 A, 86 R; 114/123, 219, 270**

4,280,440 7/1981 Barton 114/219
4,751,891 6/1988 Wilson 114/219

Primary Examiner—B. J. Bullock
Assistant Examiner—Sandra Morris
Attorney, Agent, or Firm—Jerry T. Kearns

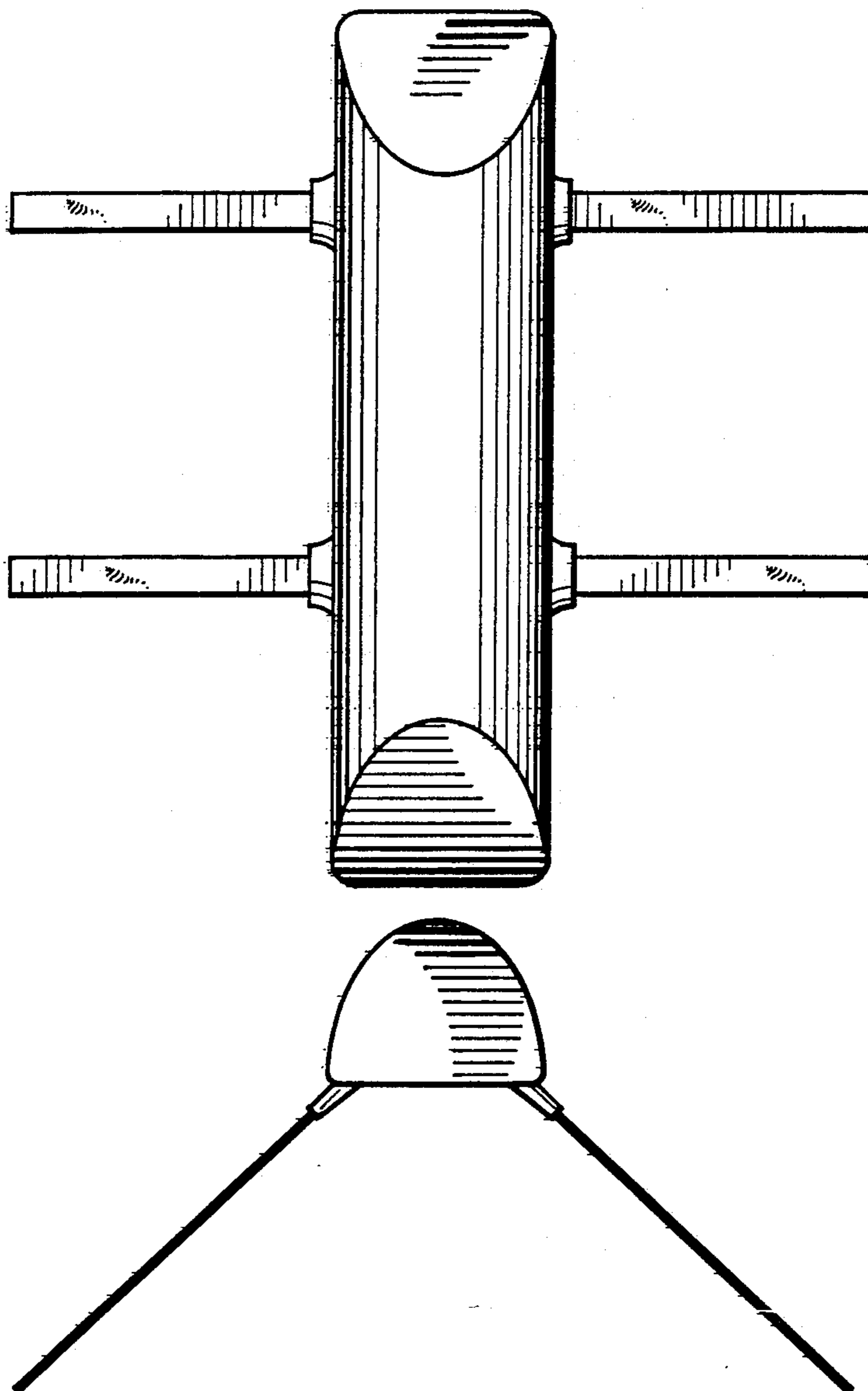
[57] **CLAIM**

The ornamental design for a dock post bumper, as shown and described.

DESCRIPTION

FIG. 1 is a front elevational view of a dock post bumper showing my new design;
FIG. 2 is a rear elevational view thereof;
FIG. 3 is a left side elevational view thereof;
FIG. 4 is a right side elevational view thereof;
FIG. 5 is a top plan view thereof; and,
FIG. 6 is a bottom plan view thereof.

- [56] **References Cited**
U.S. PATENT DOCUMENTS
D. 187,824 5/1960 Bryan D12/168
D. 216,449 1/1970 Kikukawa et al. D12/168
D. 217,645 5/1970 Magi D12/168
D. 297,627 9/1988 Patton D12/168



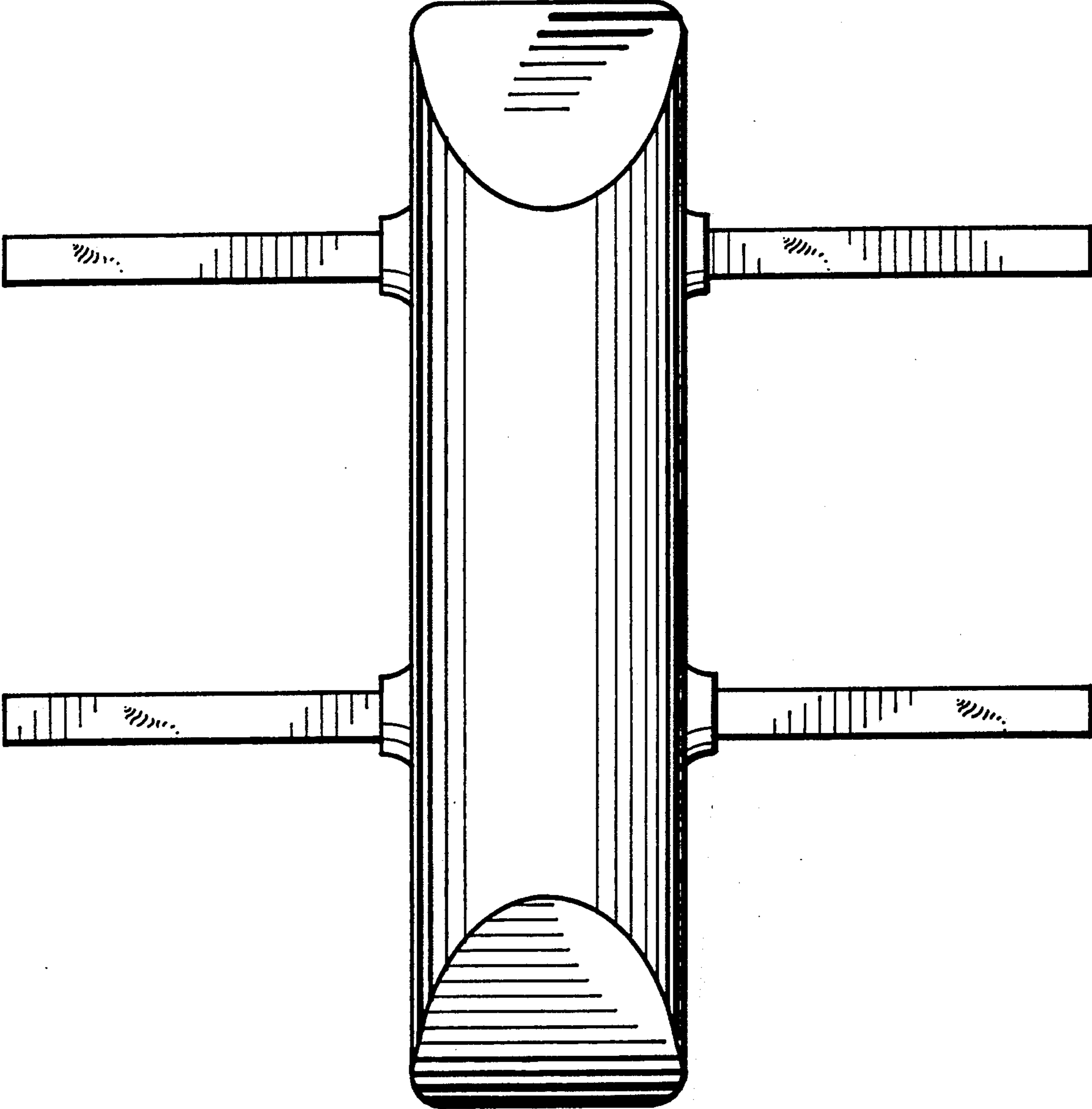


Fig. 1

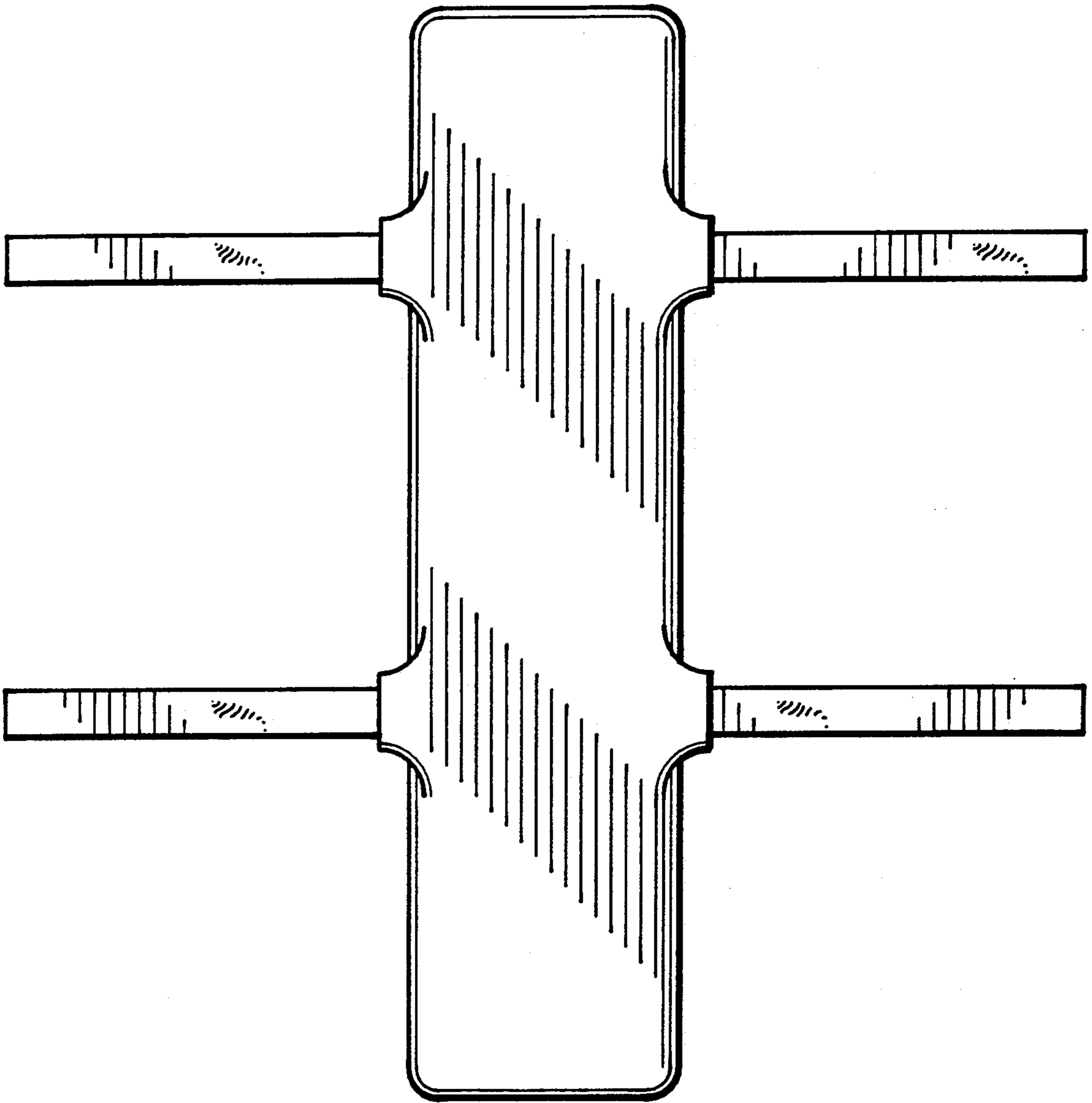


Fig. 2

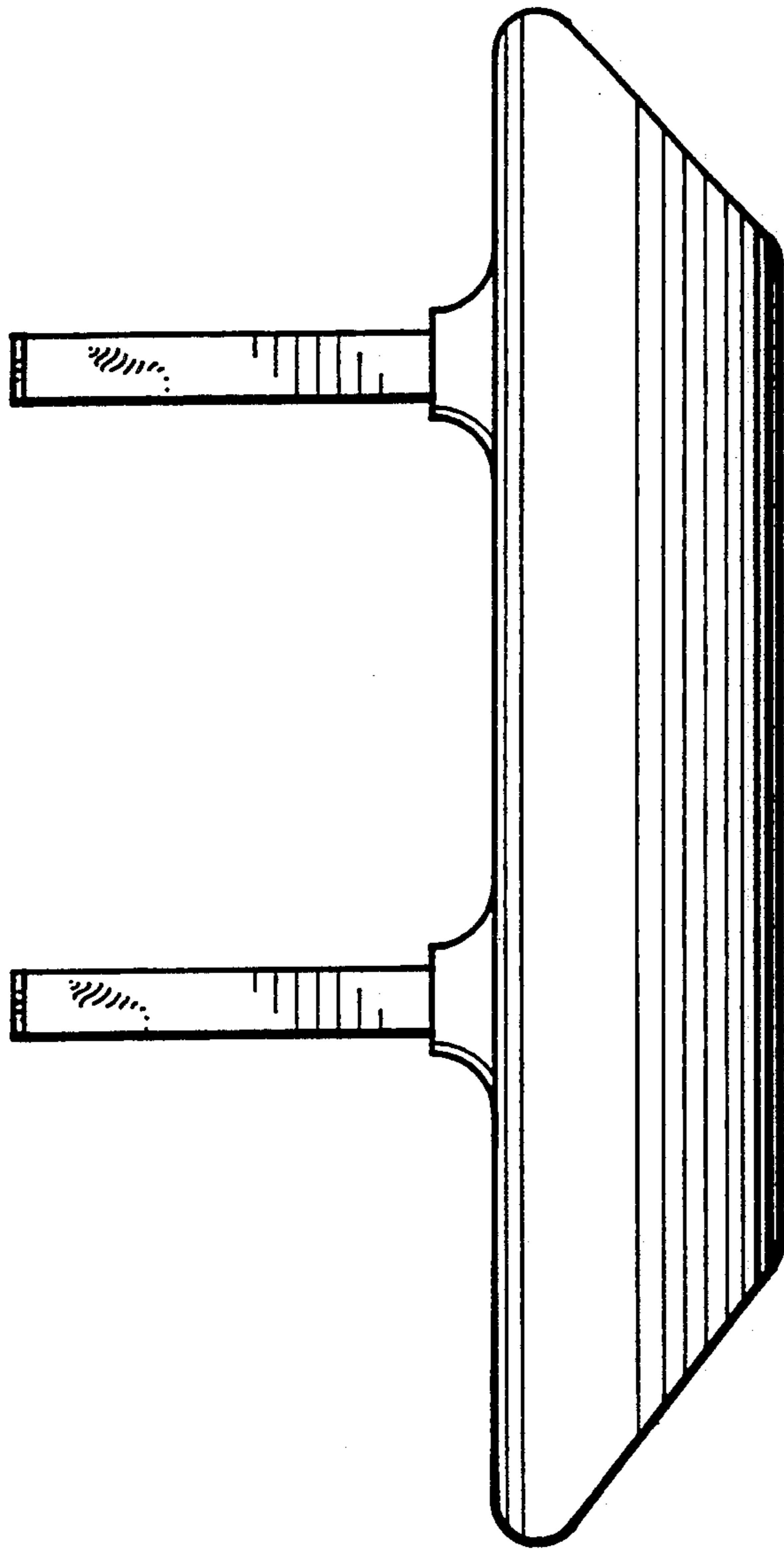


Fig. 3

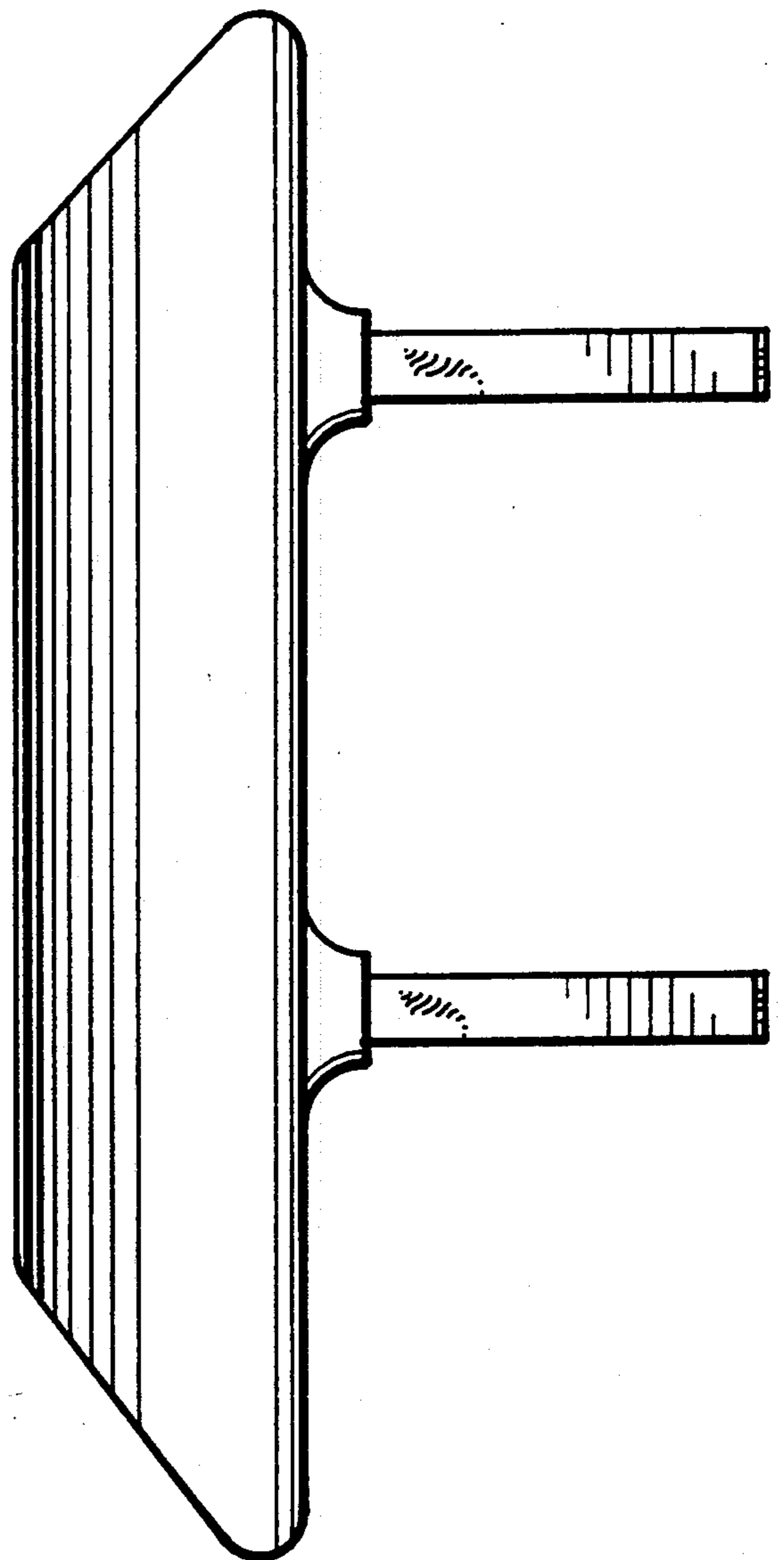


Fig. 4

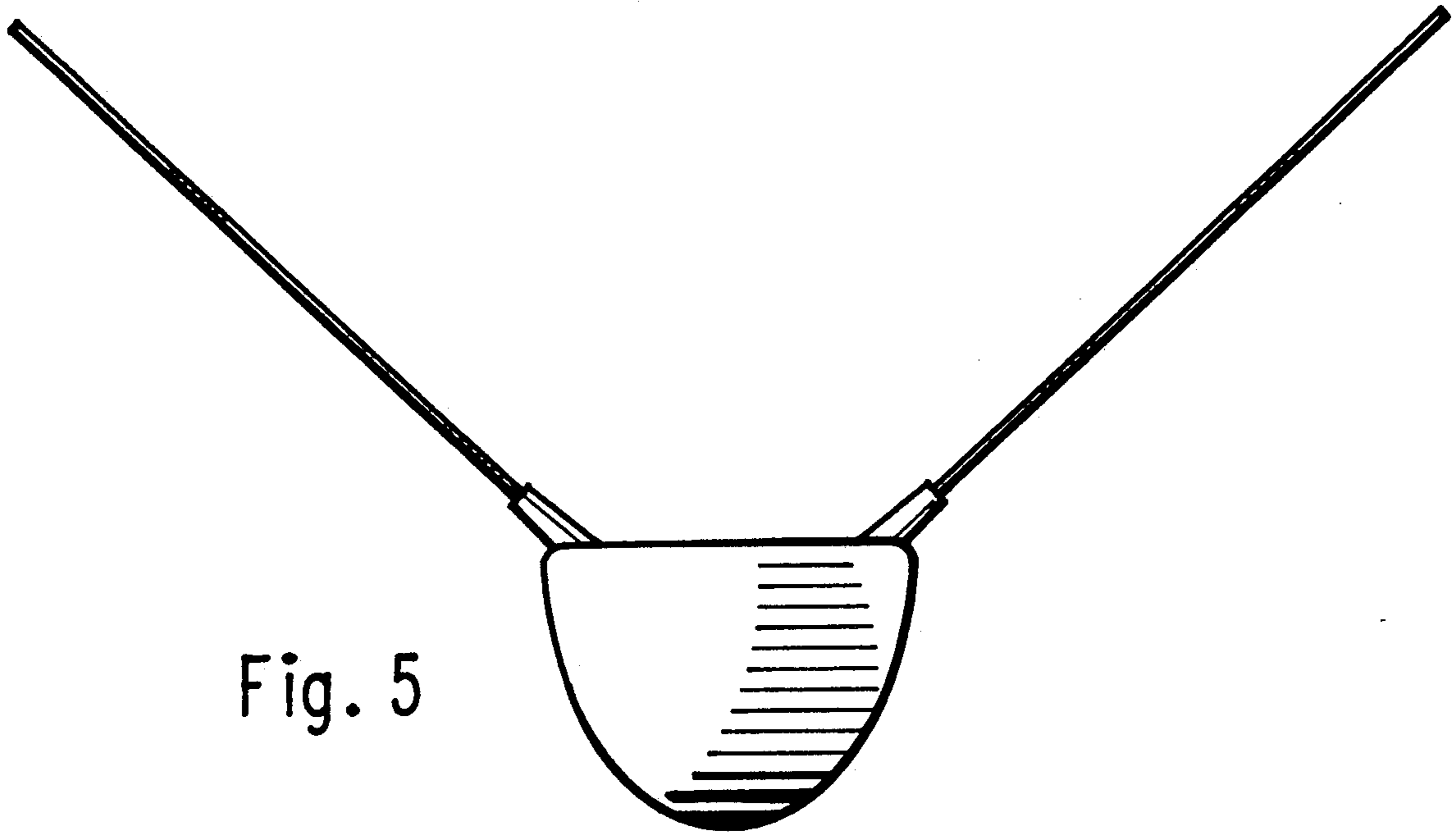


Fig. 5

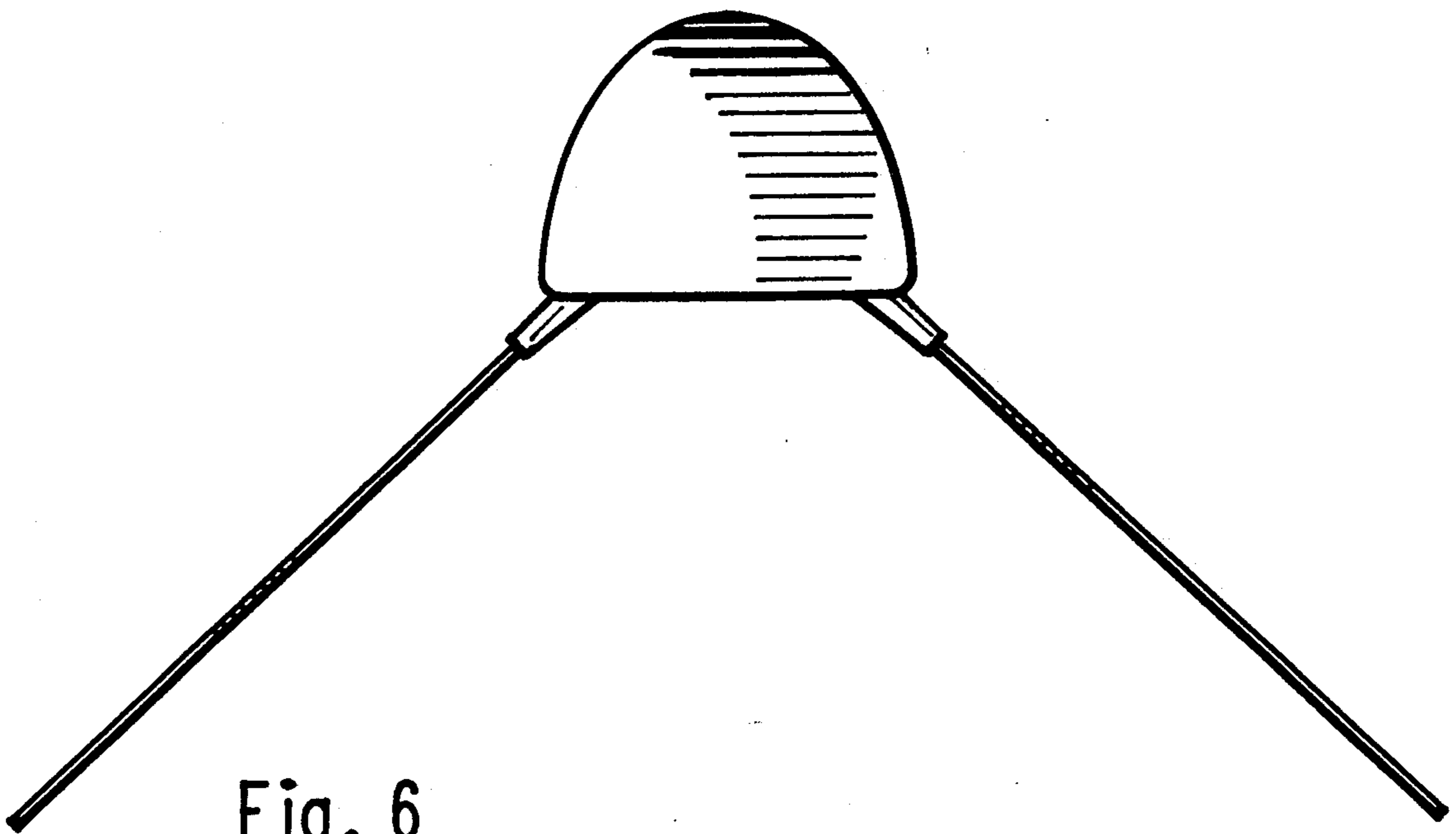


Fig. 6