

[54] MOTORCYCLE OIL COOLER

[76] Inventors: James M. Preisler, 3128 Priest La., Mound, Minn. 55364; Alwin J. Stahel, 1244 Imperial La., St. Paul, Minn. 55112

[**] Term: 14 Years

[21] Appl. No.: 162,363

[22] Filed: Feb. 29, 1988

[52] U.S. Cl. D12/114

[58] Field of Search D12/114; D15/5; 184/104.2, 104.3; 180/229, 219

[56] References Cited

U.S. PATENT DOCUMENTS

D. 233,984	12/1974	Hauser	D12/114
D. 263,232	2/1982	Dolwani	D12/114
D. 265,403	7/1982	Gewelber	D12/114
D. 278,243	4/1985	Gewelber	D15/5
4,662,470	5/1987	Fujisawa et al.	180/219

FOREIGN PATENT DOCUMENTS

0067712 4/1985 Japan 184/104.3

OTHER PUBLICATIONS

Drug Specialities, Catalog 1987, Nineteenth Edition, pp. 194-195, Lockhart 500 Series & Lockhart Custom Series Oil Coolers.

Primary Examiner—James M. Gandy

Assistant Examiner—Melody Brown

[57] CLAIM

The ornamental design for a motorcycle oil cooler, as shown and described.

DESCRIPTION

FIG. 1 is a perspective view of a motorcycle oil cooler showing our new design, it being understood that the broken lines are for illustrative purposes only and form no part of the claimed design;

FIG. 2 is an enlarged front left side perspective view thereof; and

FIG. 3 is an enlarged rear right side perspective view thereof.

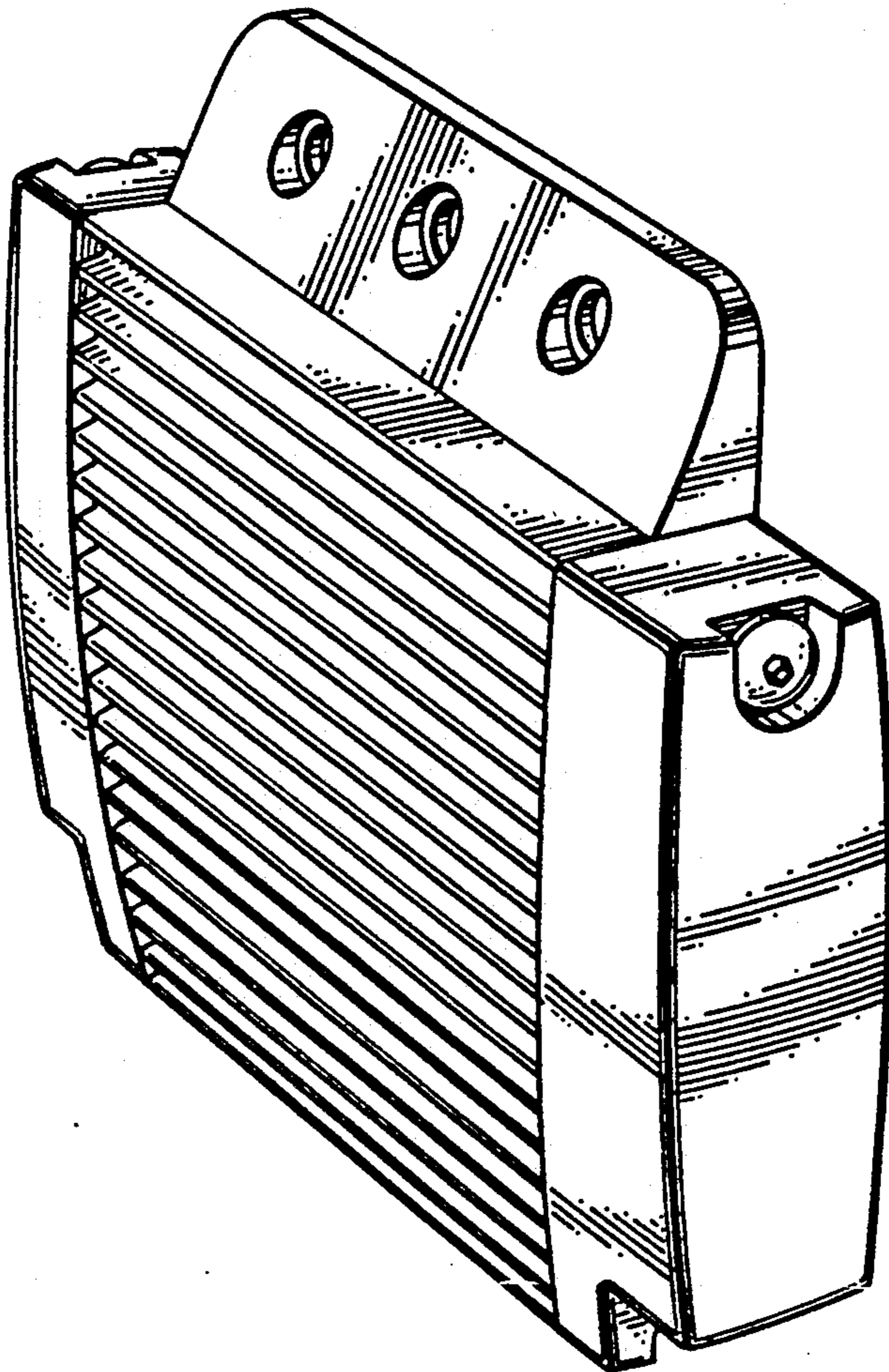


Fig. 1

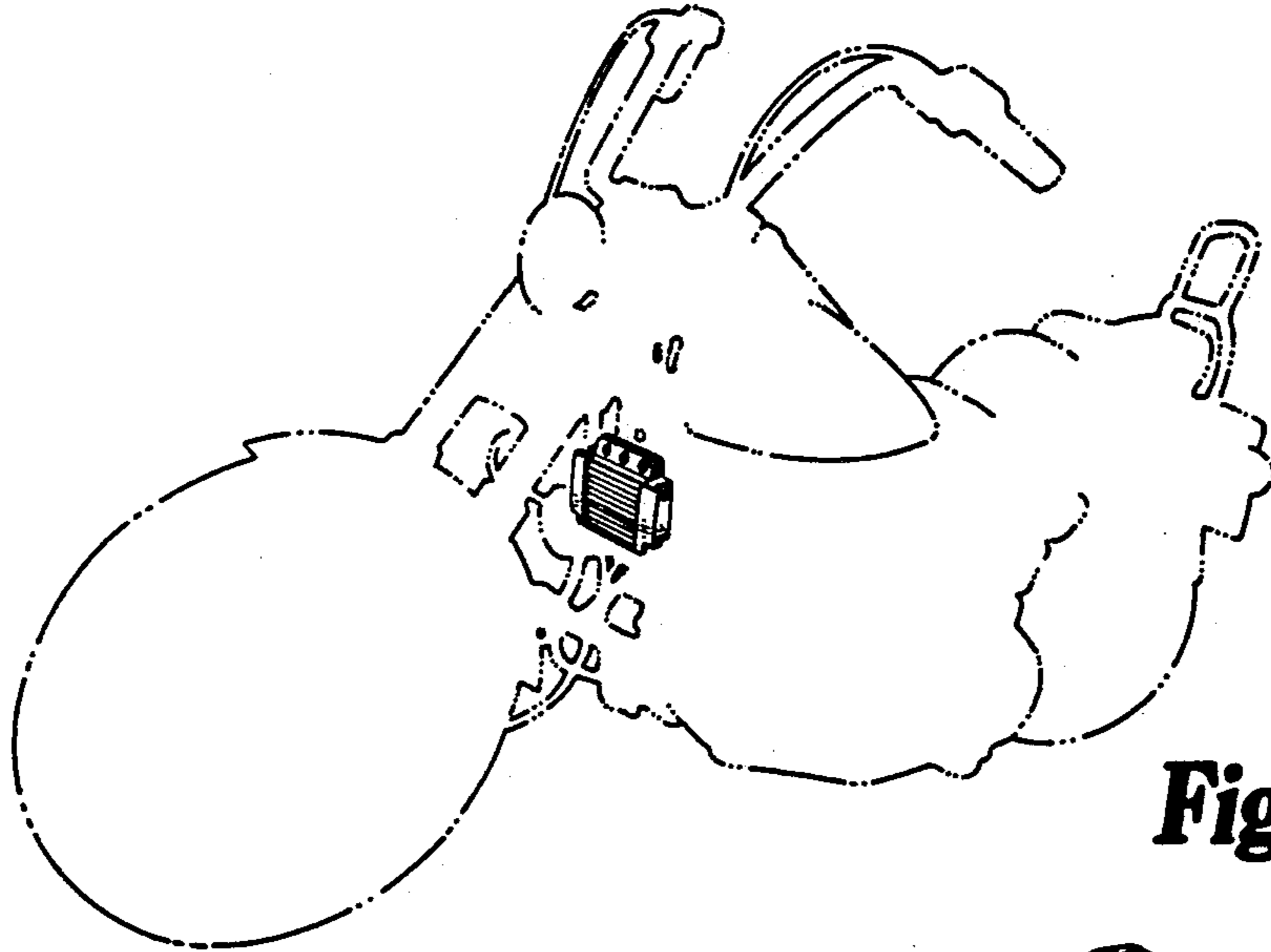


Fig. 2

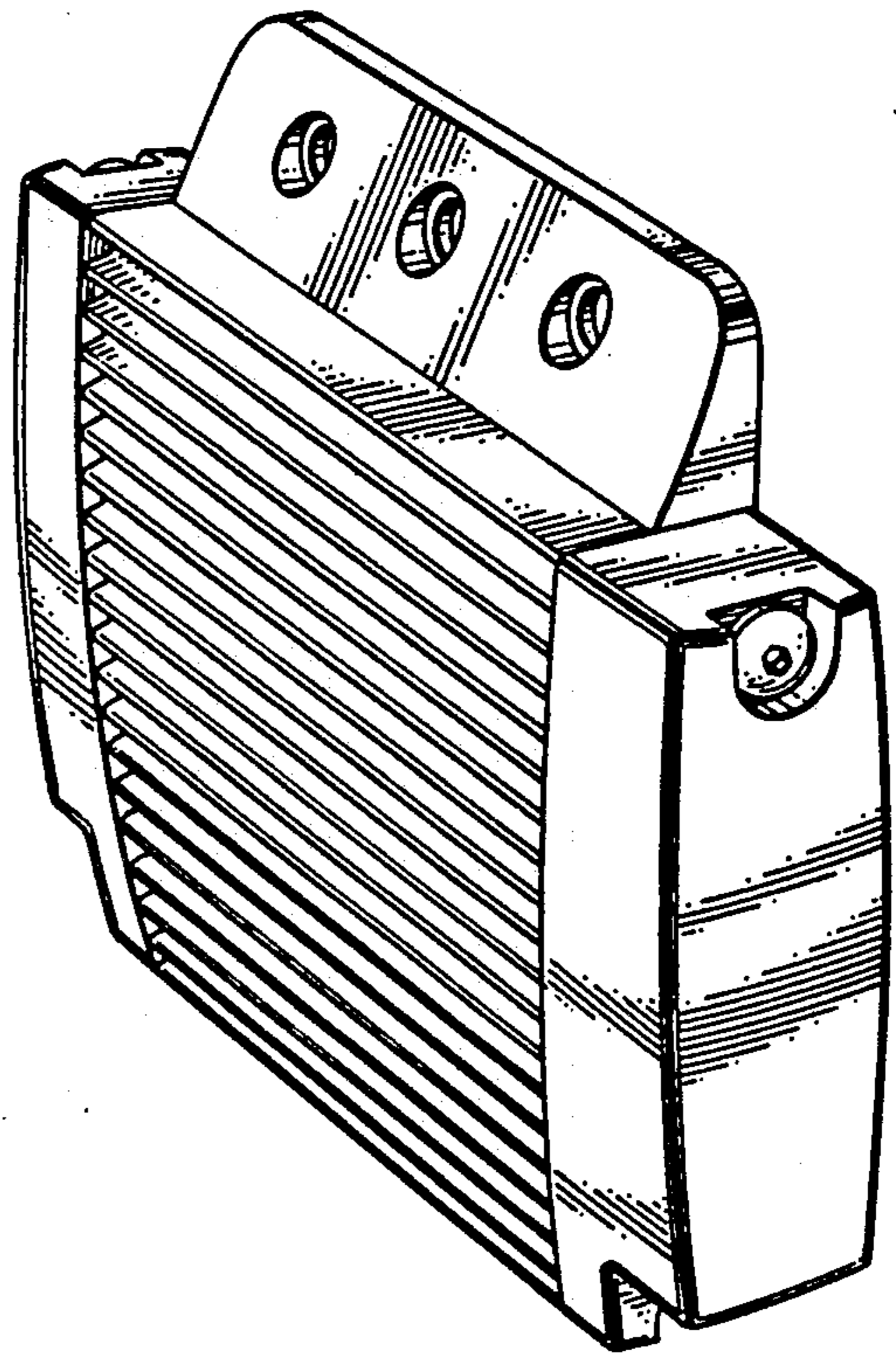


Fig. 3

