

[54] LIQUID LEVEL DETECTOR CONTROL UNIT

4,922,226 5/1990 Hsieh et al. .... 340/612

[76] Inventor: Salvatore M. Inglima, R.D. 1 Box 211A, Chester, N.Y. 10918

Primary Examiner—Wallace R. Burke  
Assistant Examiner—Marcus Jackson  
Attorney, Agent, or Firm—Jerry T. Kearns

[\*\*] Term: 14 Years

[57] CLAIM

[21] Appl. No.: 240,106

The ornamental design for a liquid level detector control unit, as shown and described.

[22] Filed: Sep. 2, 1988

[52] U.S. Cl. .... D10/106

DESCRIPTION

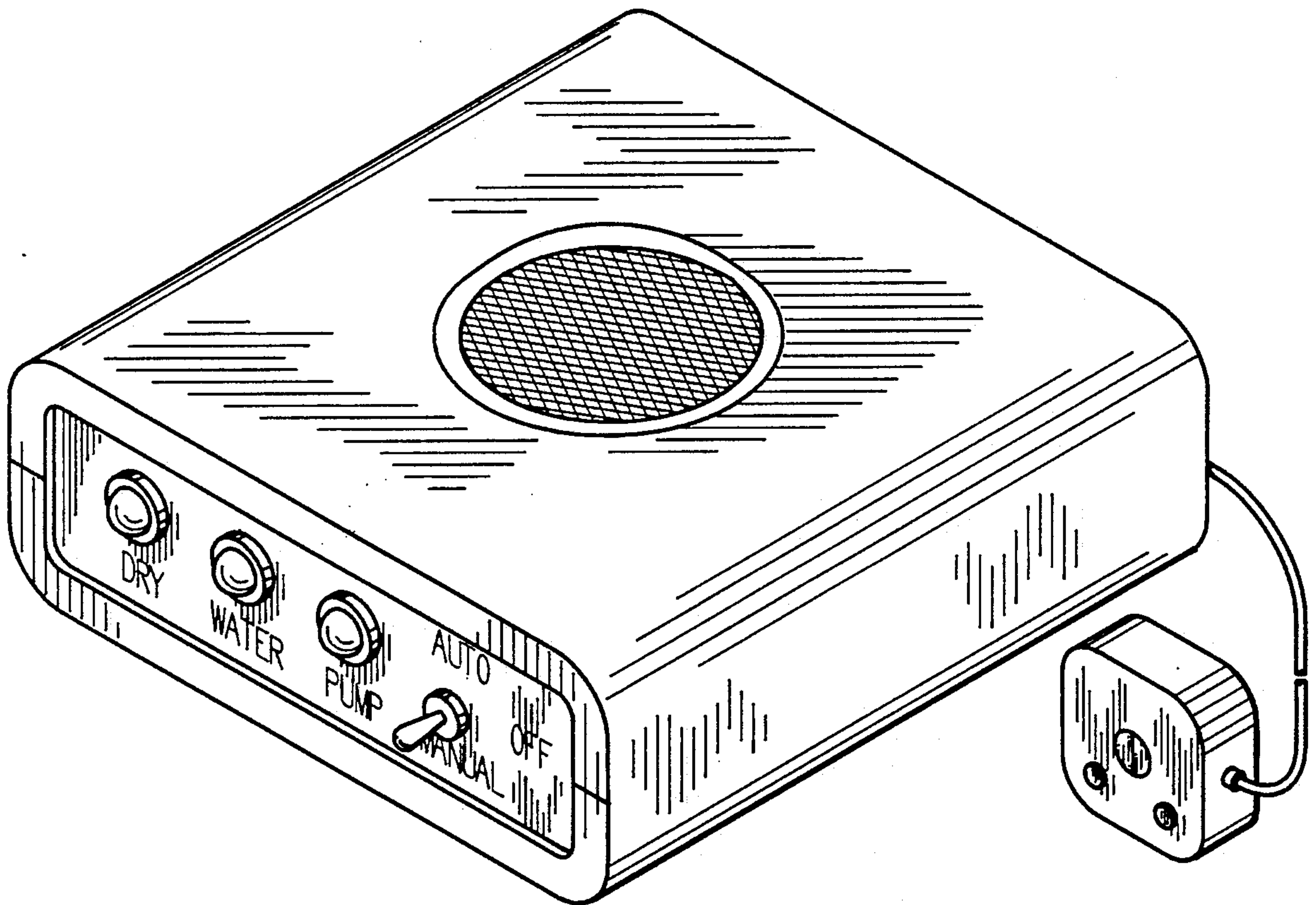
[58] Field of Search ..... D10/104, 106, 121; 116/202, 227, 228; 340/612, 618, 628, 545, 547, 555, 578, 584, 586

FIG. 1 is a front elevational view of a liquid level detector control unit showing my new design; FIG. 2 is a rear elevational view thereof; FIG. 3 is a left side elevational view thereof; FIG. 4 is a right side elevational view thereof; FIG. 5 is a top plan view thereof; FIG. 6 is a bottom plan view thereof; and, FIG. 7 is a perspective view thereof.

[56] References Cited

U.S. PATENT DOCUMENTS

D. 283,876 5/1986 Jabach ..... D10/106  
2,792,566 5/1957 Shanhouse et al. .... 116/202



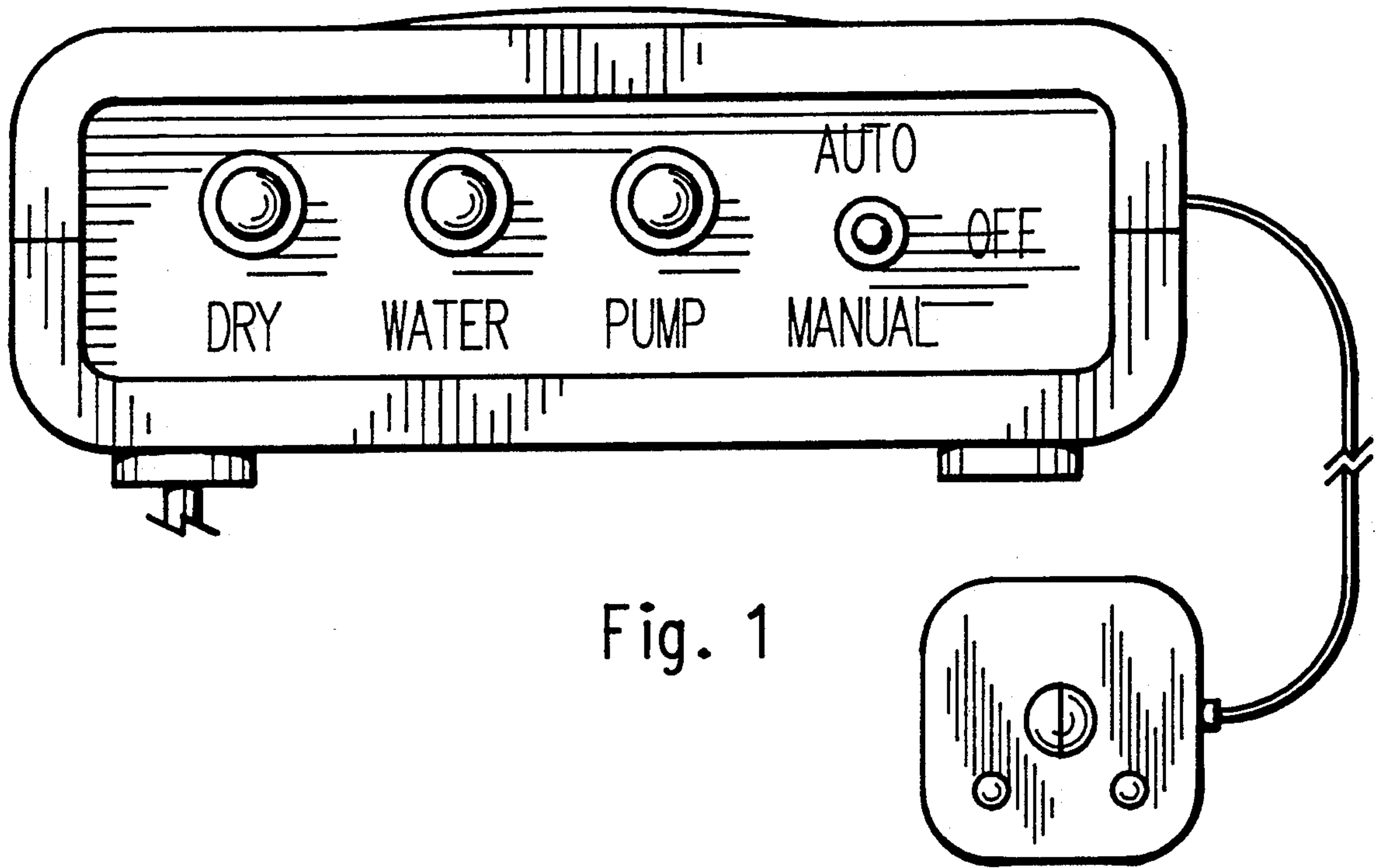


Fig. 1

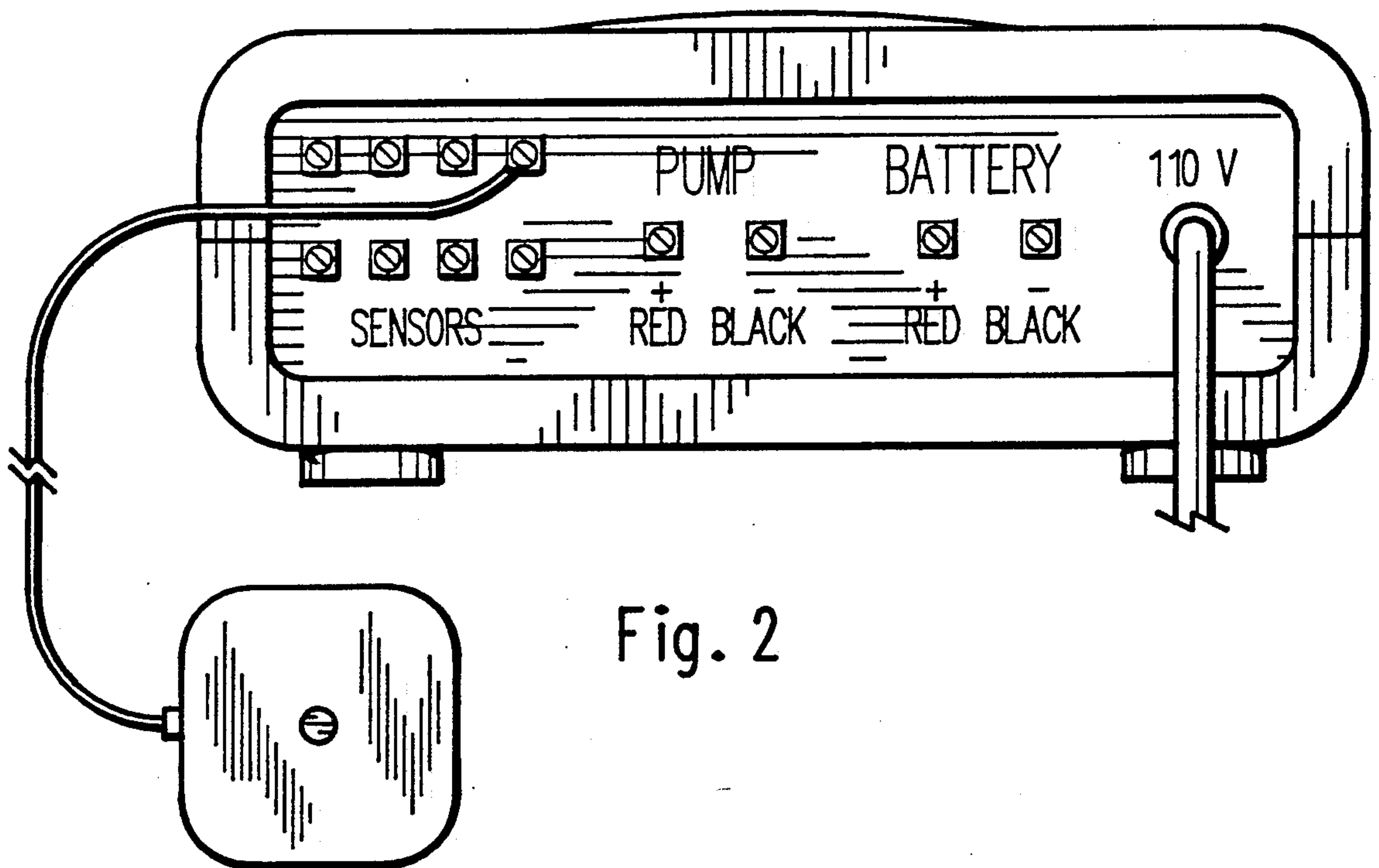
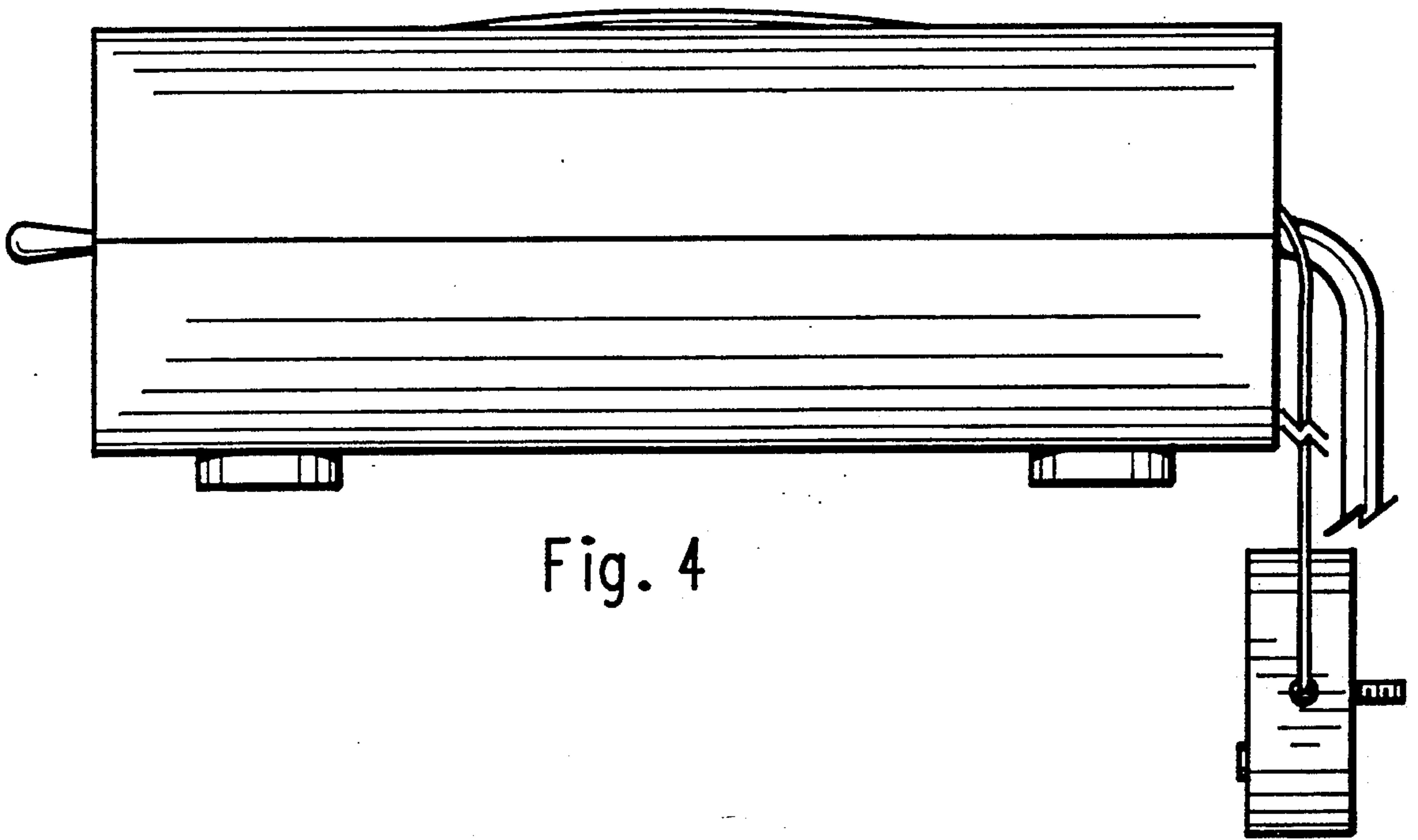
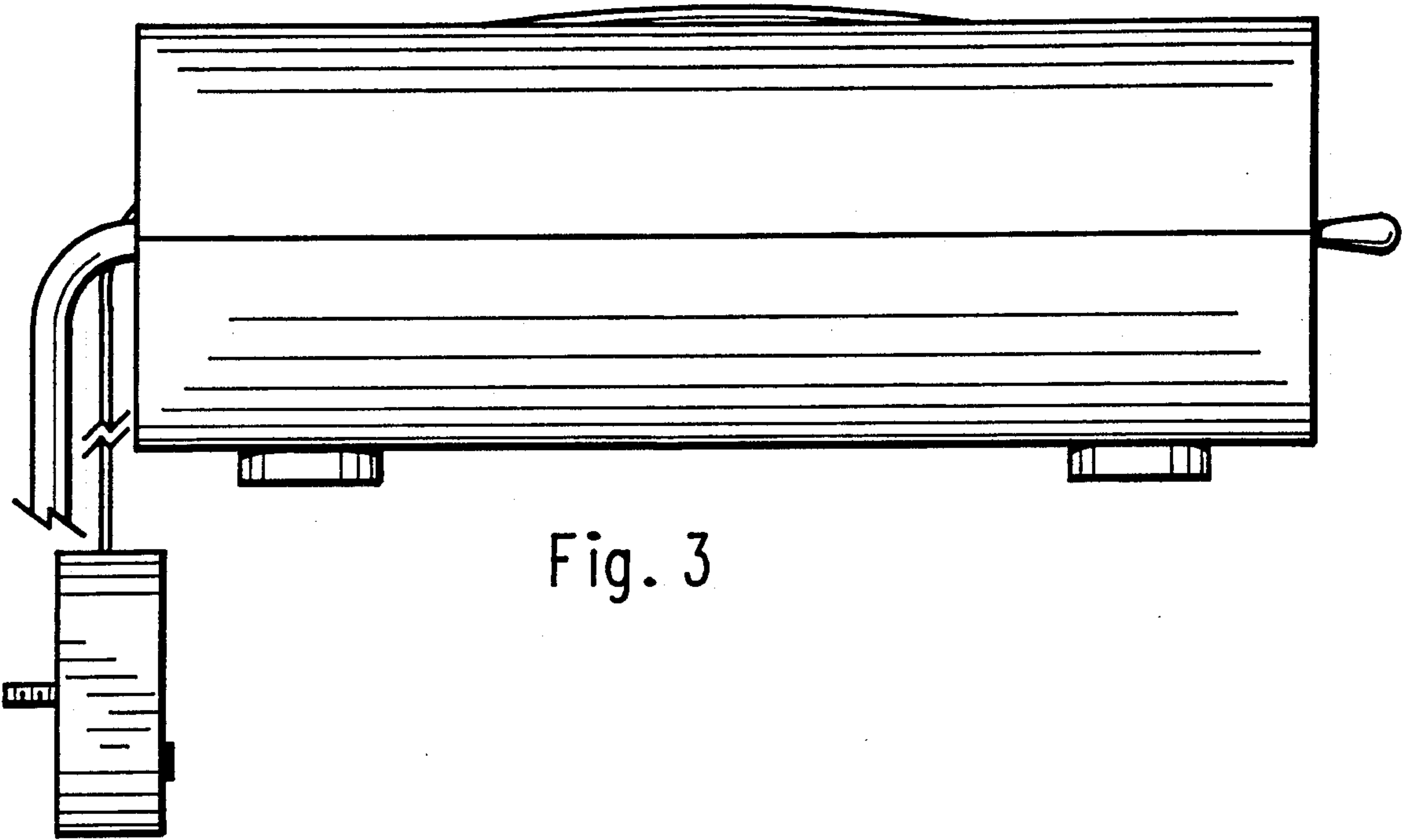


Fig. 2



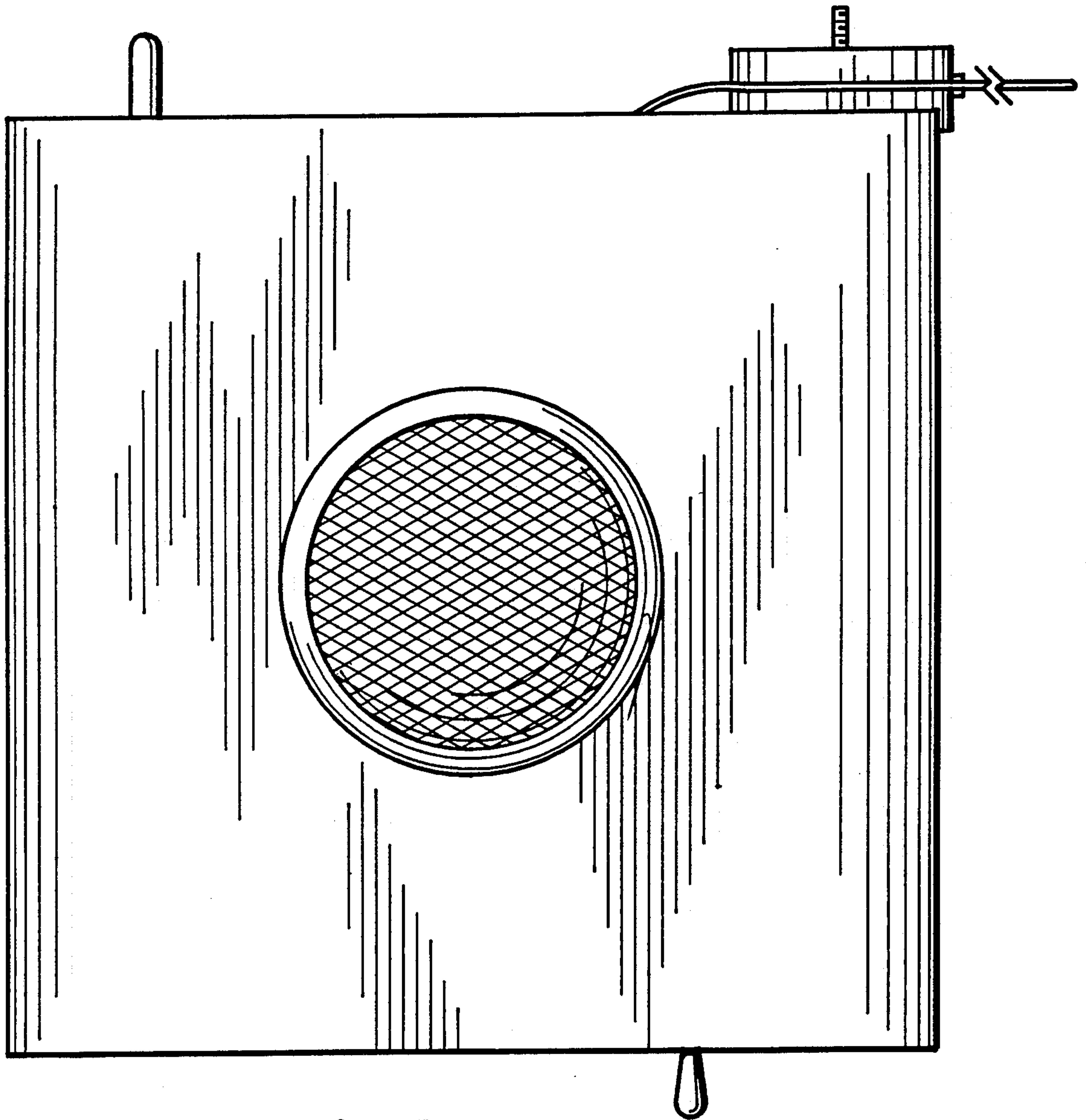


Fig. 5



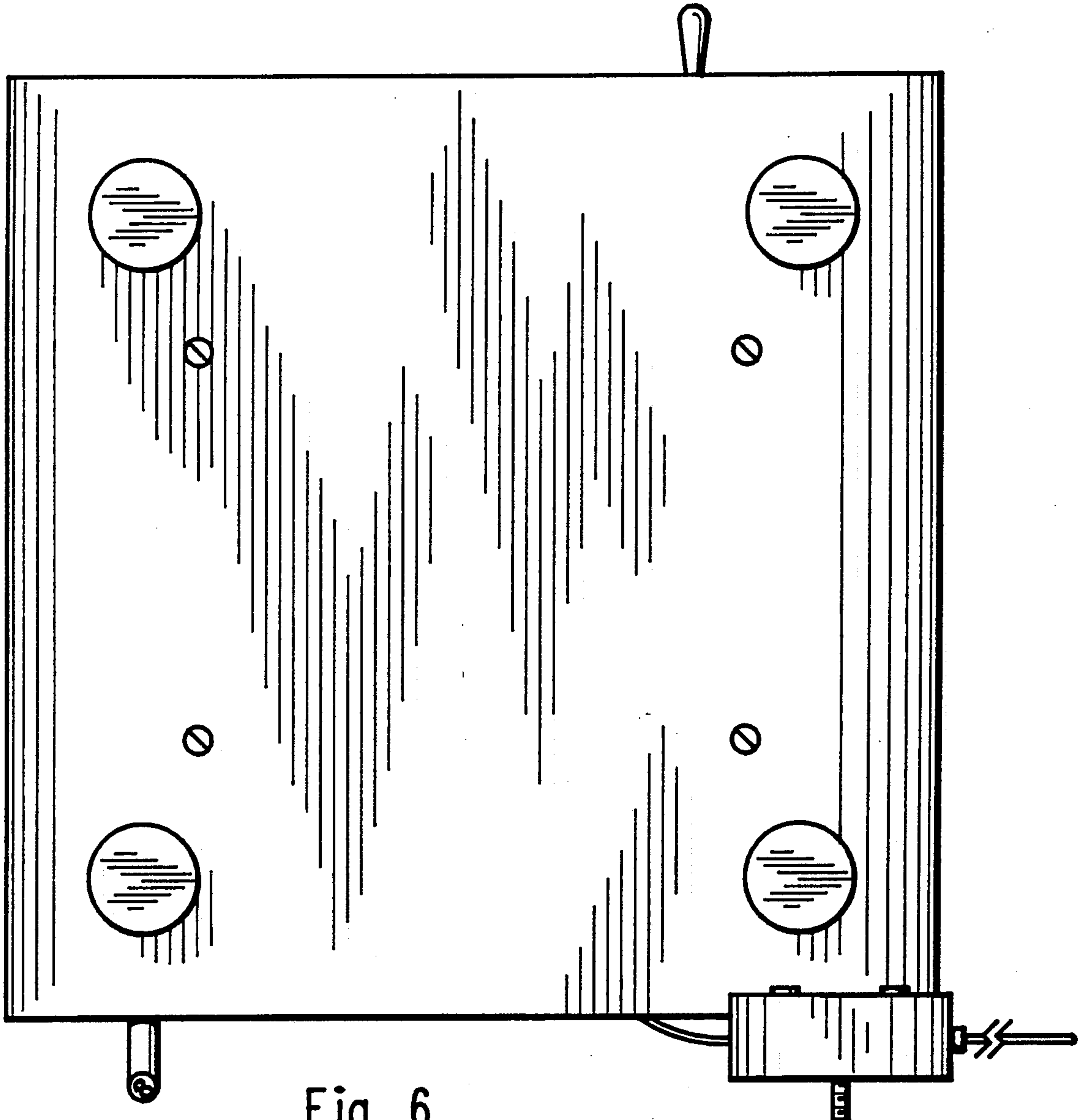


Fig. 6

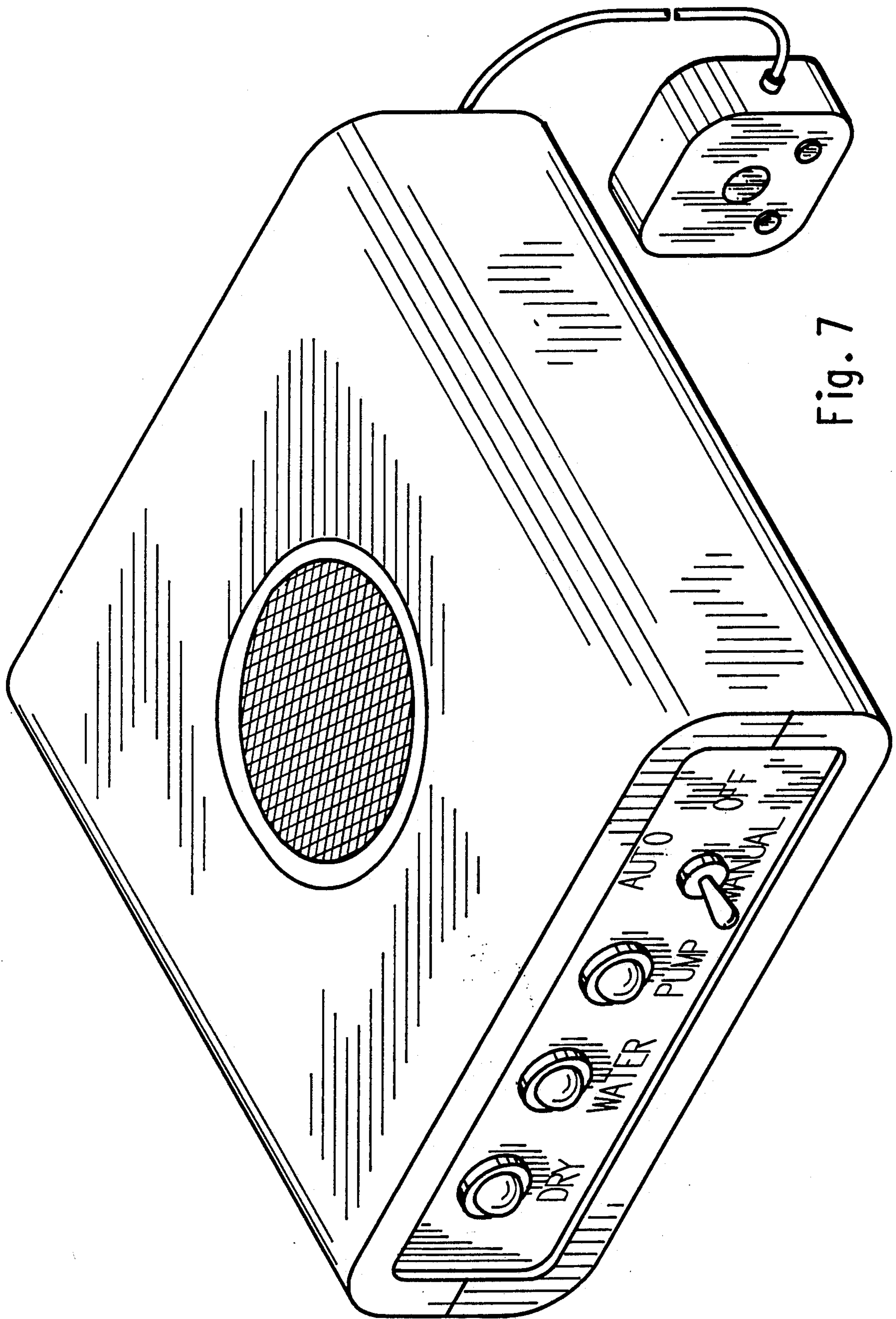


Fig. 7