

[54] DOOR HARDWARE

[75] Inventor: Michael J. Tremonti, Hawthorne, N.J.

[73] Assignee: Hardware Designs Inc., Fairfield, N.J.

[*] Notice: The portion of the term of this patent subsequent to Apr. 16, 2005 has been disclaimed.

[**] Term: 14 Years

[21] Appl. No.: 275,033

[22] Filed: Nov. 22, 1988

[52] U.S. Cl. D8/319; D8/320

[58] Field of Search D8/300, 315-320; D99/11; 16/110 R, 111 R, 121, 124, 125

[56] References Cited

U.S. PATENT DOCUMENTS

- D. 80,744 3/1930 Seidensticker D8/316
- D. 290,335 6/1987 Cibic D8/308

OTHER PUBLICATIONS

Paul Associates Cat.; p. 59; Pull 3500 (upper right).
Paul Associates Cat.; p. 48A; Door Pulls (top of page).

Primary Examiner—B. J. Bullock
Attorney, Agent, or Firm—Blum Kaplan

[57] CLAIM

The ornamental design for door hardware, as shown and described.

DESCRIPTION

FIG. 1 is a perspective view of door hardware showing my new design as embodied in a single pull;
 FIG. 2 is a front elevational view thereof;
 FIG. 3 is a top plan view, the bottom plan view being the mirror image thereof;
 FIG. 4 is a right side elevational view thereof;
 FIG. 5 is a rear elevational view thereof;
 FIG. 6 is a left side elevational view thereof;
 FIG. 7 is a top plan view of a second embodiment of the design of FIG. 1 as embodied in paired pulls, the left pull being identical to FIG. 1 and the right pull being a mirror image thereof; and
 FIG. 8 is a front elevational view of FIG. 7.

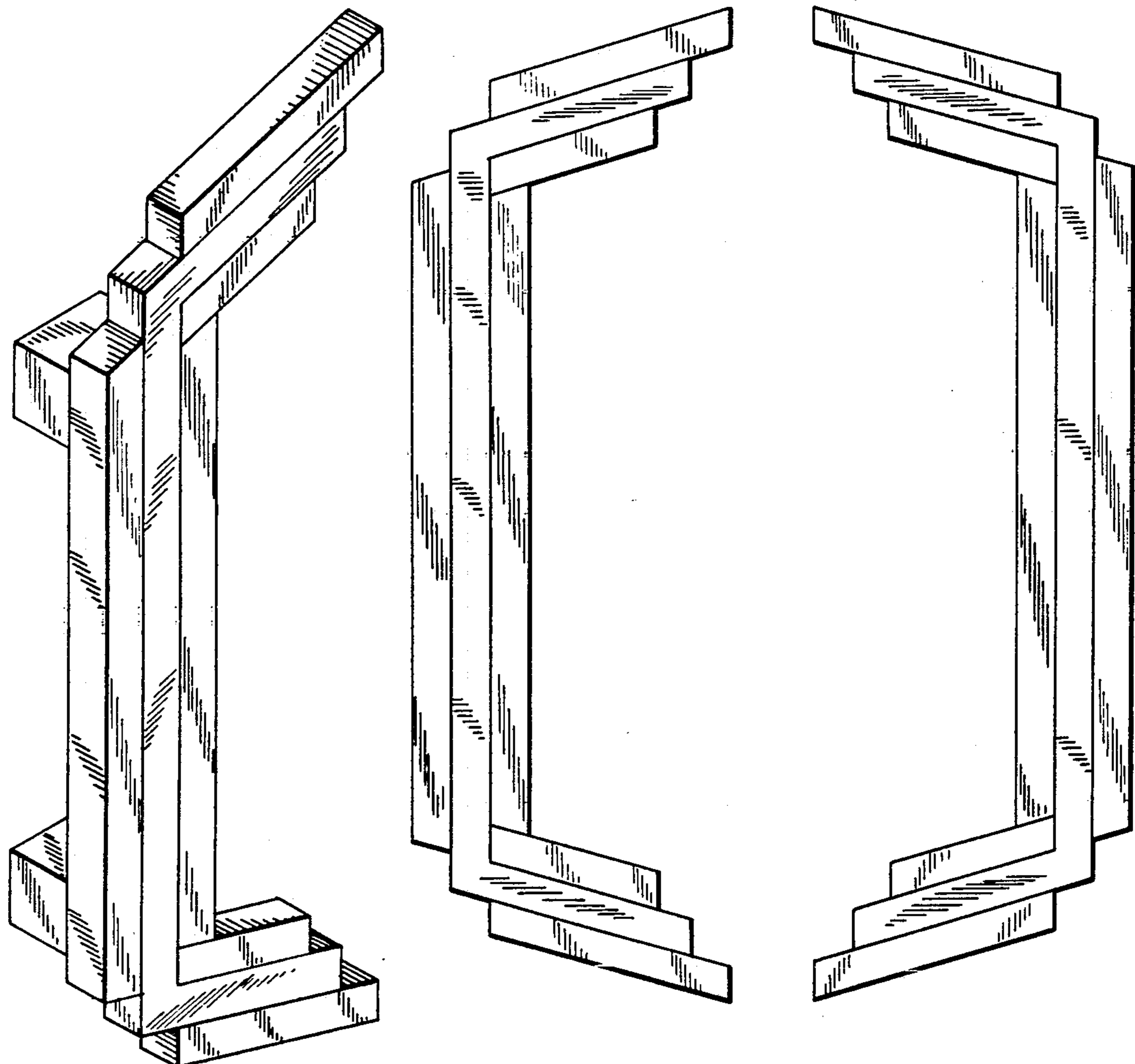


FIG. 1

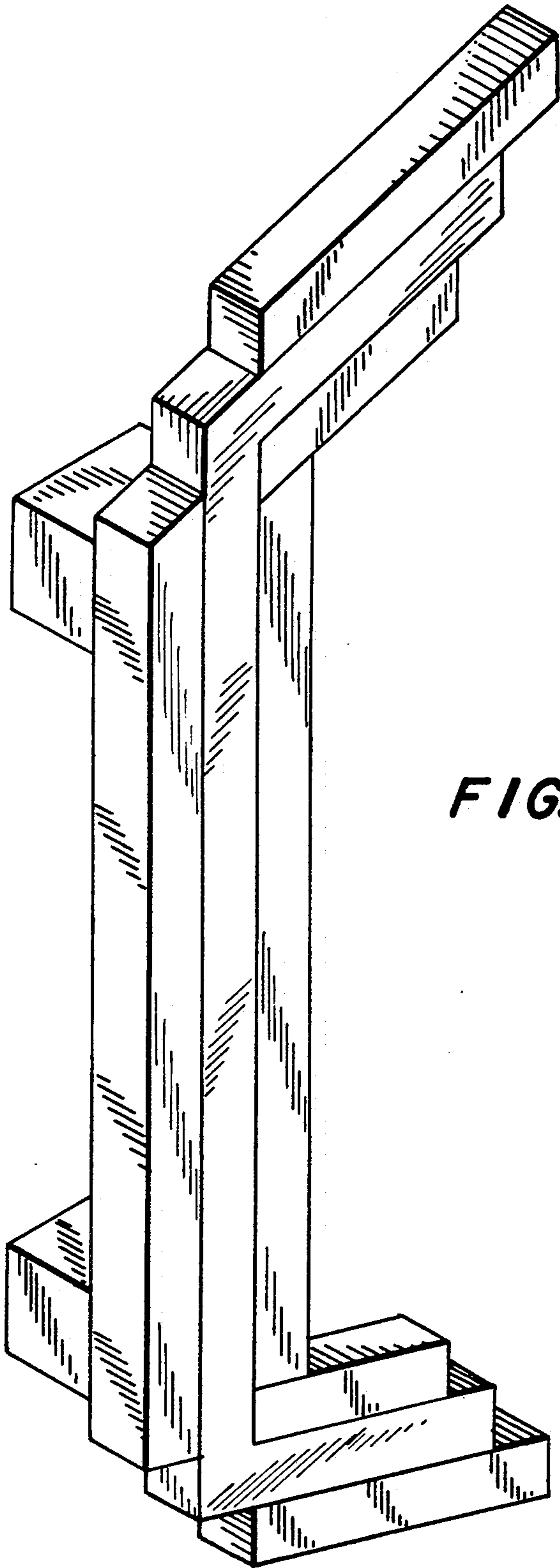


FIG. 2

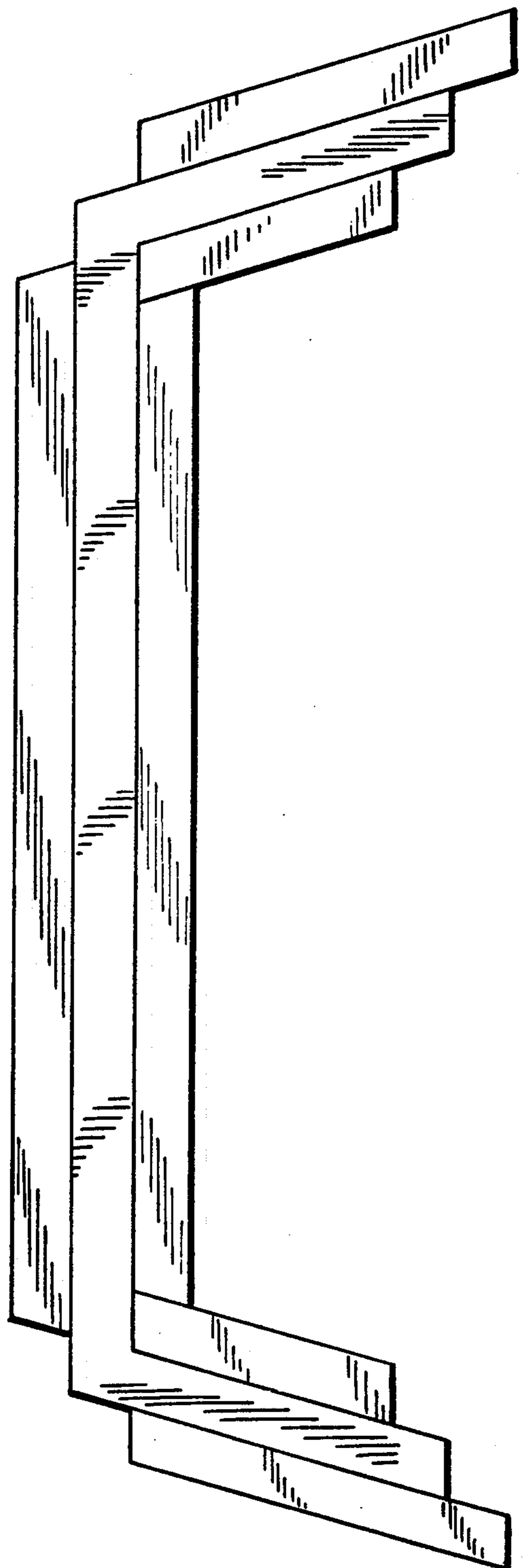


FIG. 3



FIG. 4

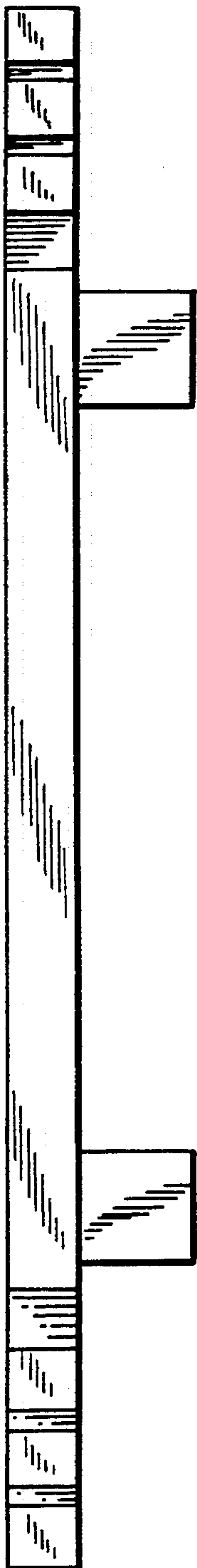


FIG. 5

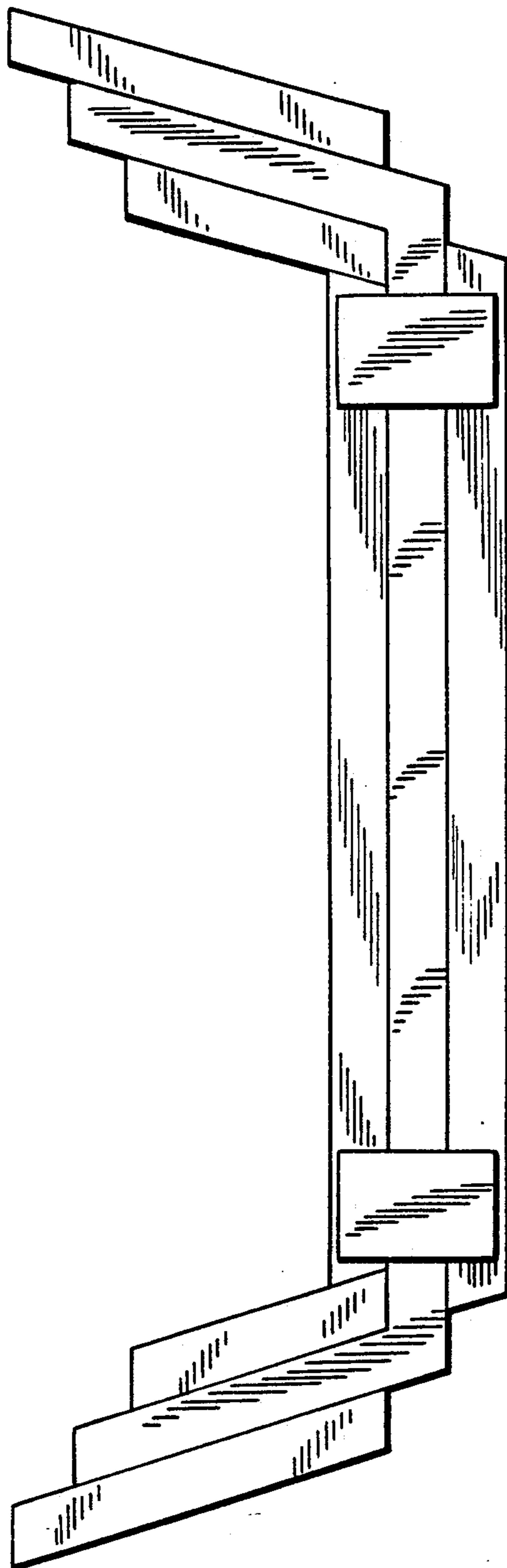


FIG. 6



FIG. 7

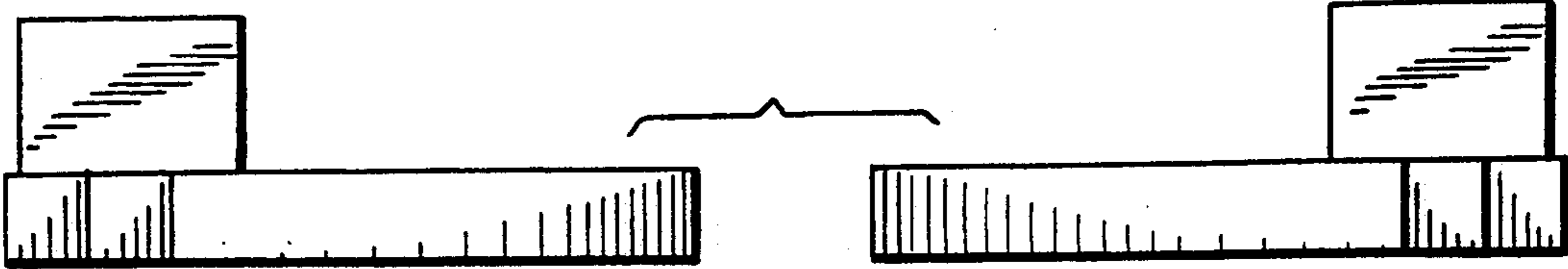


FIG. 8

