

[54] **JUICE EXTRACTOR**

[76] **Inventor: John S. Seal, Jr., 208 Llanfair Rd., Ardmore, Pa. 18929**

[**] **Term: 14 Years**

[21] **Appl. No.: 247,579**

[22] **Filed: Sep. 22, 1988**

[52] **U.S. Cl. D7/665**

[58] **Field of Search D7/665-666, D7/300, 306; 99/506, 508; 100/104, 131, 117, 145**

[56]

References Cited

U.S. PATENT DOCUMENTS

1,918,658	7/1933	Mitcham	100/70
2,164,245	6/1939	Kienzle	100/70
2,522,800	9/1950	Quiroz	100/50
2,677,324	5/1954	Cadella	100/98
3,186,458	6/1965	Takei et al.	D7/665 X
3,204,550	9/1965	Swiderski et al.	100/52

4,570,536 2/1986 Dodd 100/53

Primary Examiner—Bernard Ansher
Assistant Examiner—Terry A. Pfeffer
Attorney, Agent, or Firm—Woodcock Washburn Kurtz Mackiewicz & Norris

[57] **CLAIM**

The ornamental design for an juice extractor, as shown and described.

DESCRIPTION

FIG. 1 is a front perspective view of an improved juice extractor showing my new design;
 FIG. 2 is a front elevational view thereof;
 FIG. 3 is a side elevational view thereof;
 FIG. 4 is a rear elevational view thereof;
 FIG. 5 is a top plan view thereof;
 FIG. 6 is a bottom plan view thereof;
 FIG. 7 is a front perspective view of an alternate embodiment of FIG. 1, the rear view is identical to FIG. 4;
 FIG. 8 is a front elevational view of FIG. 7; and
 FIG. 9 is a side elevational view of FIG. 7.

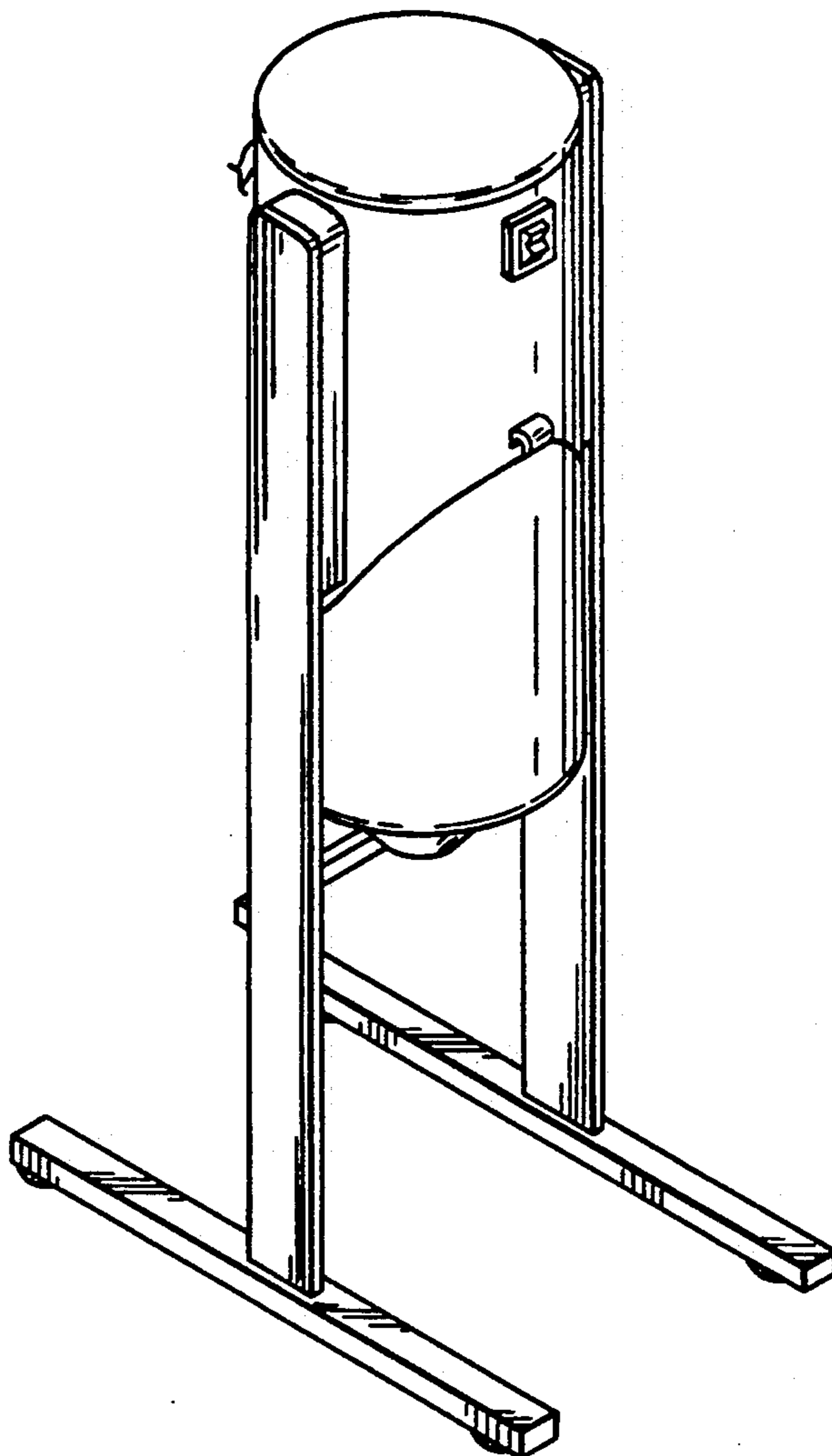


FIG. 1

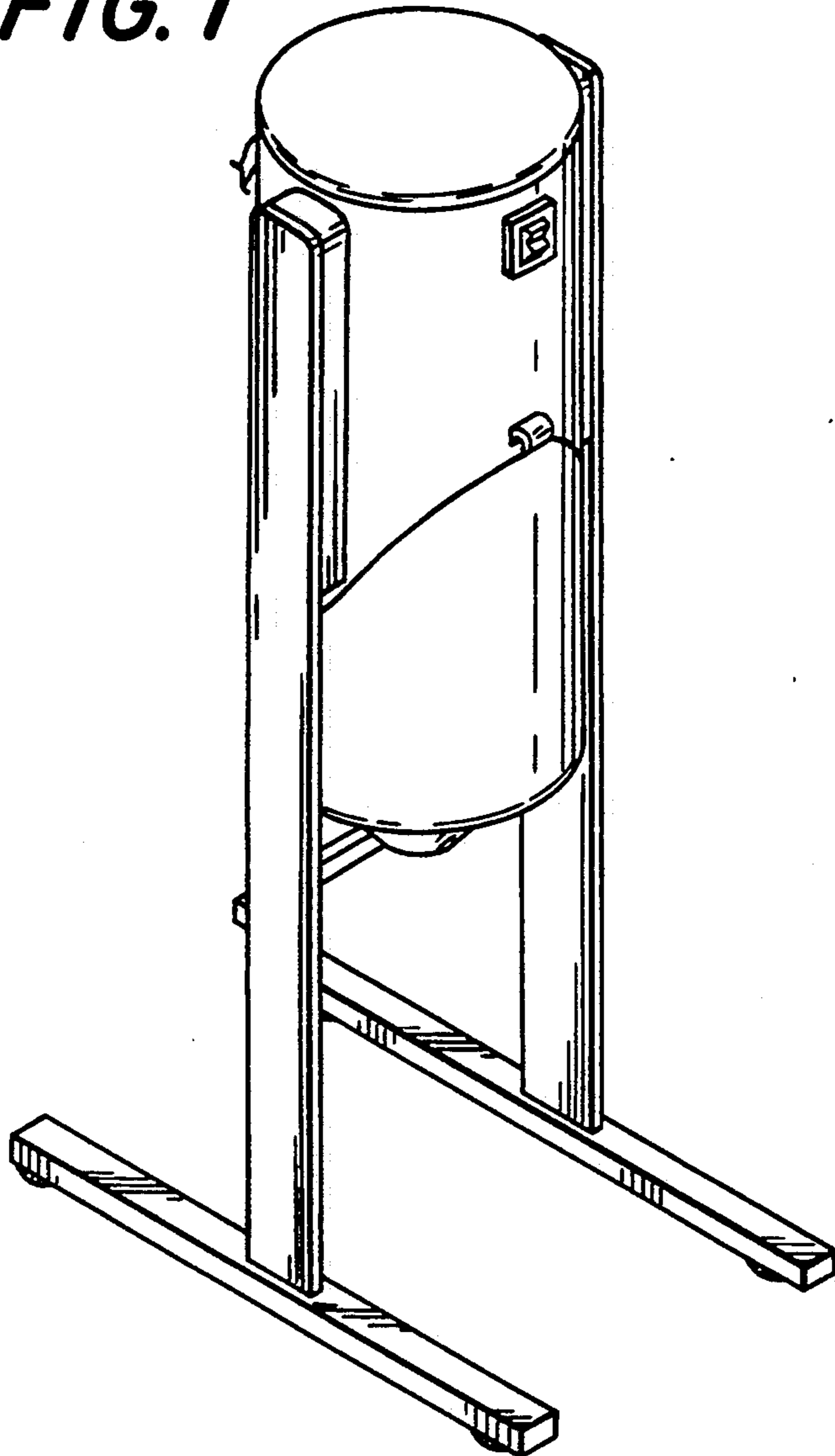


FIG. 2

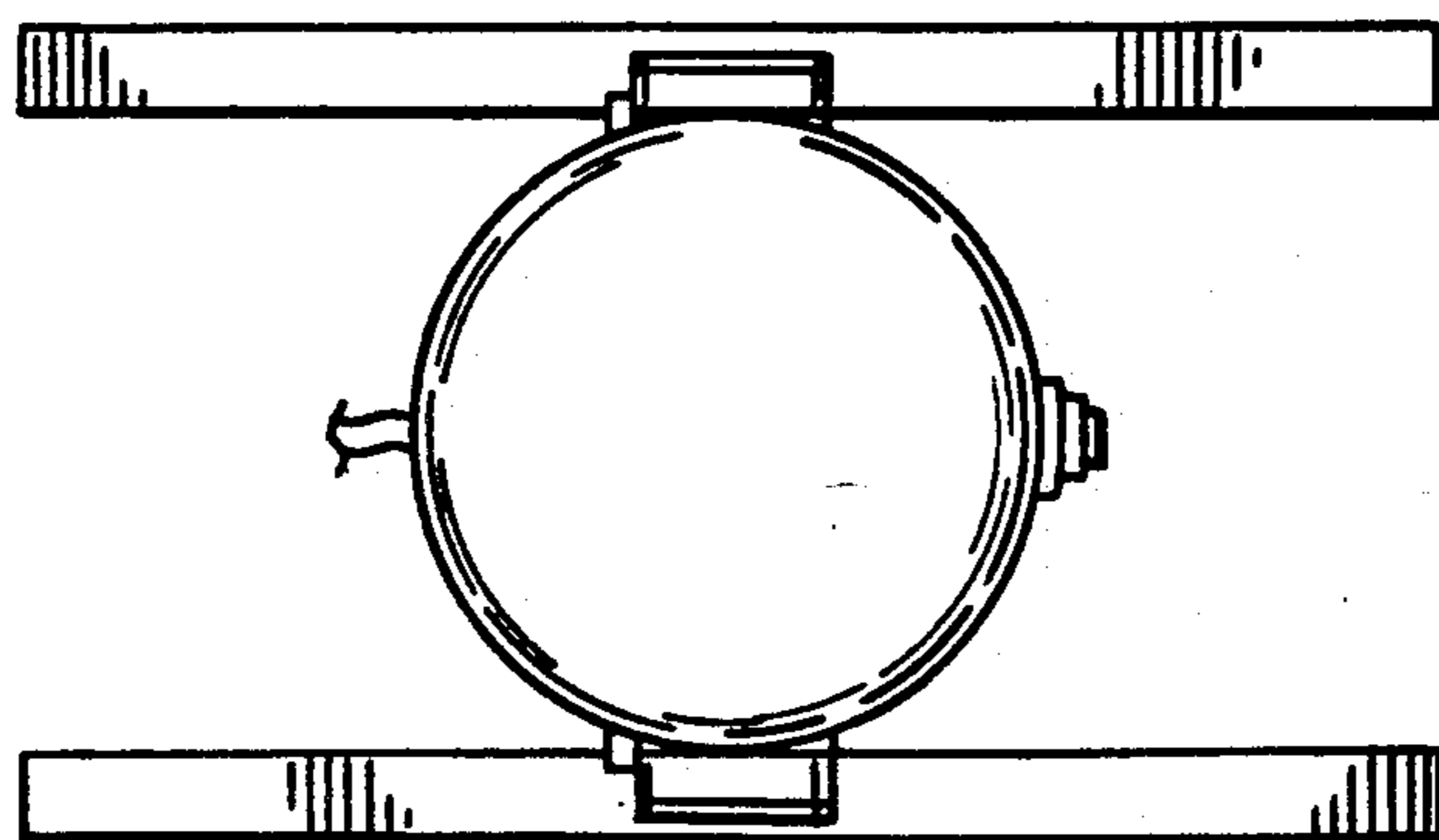
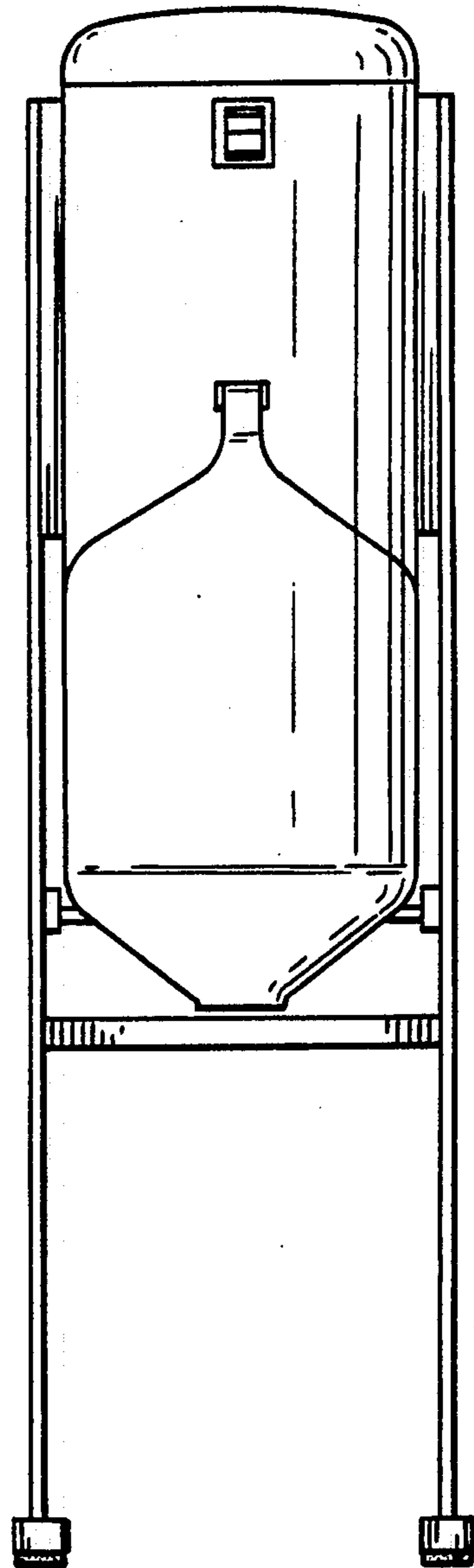


FIG. 5

FIG. 3

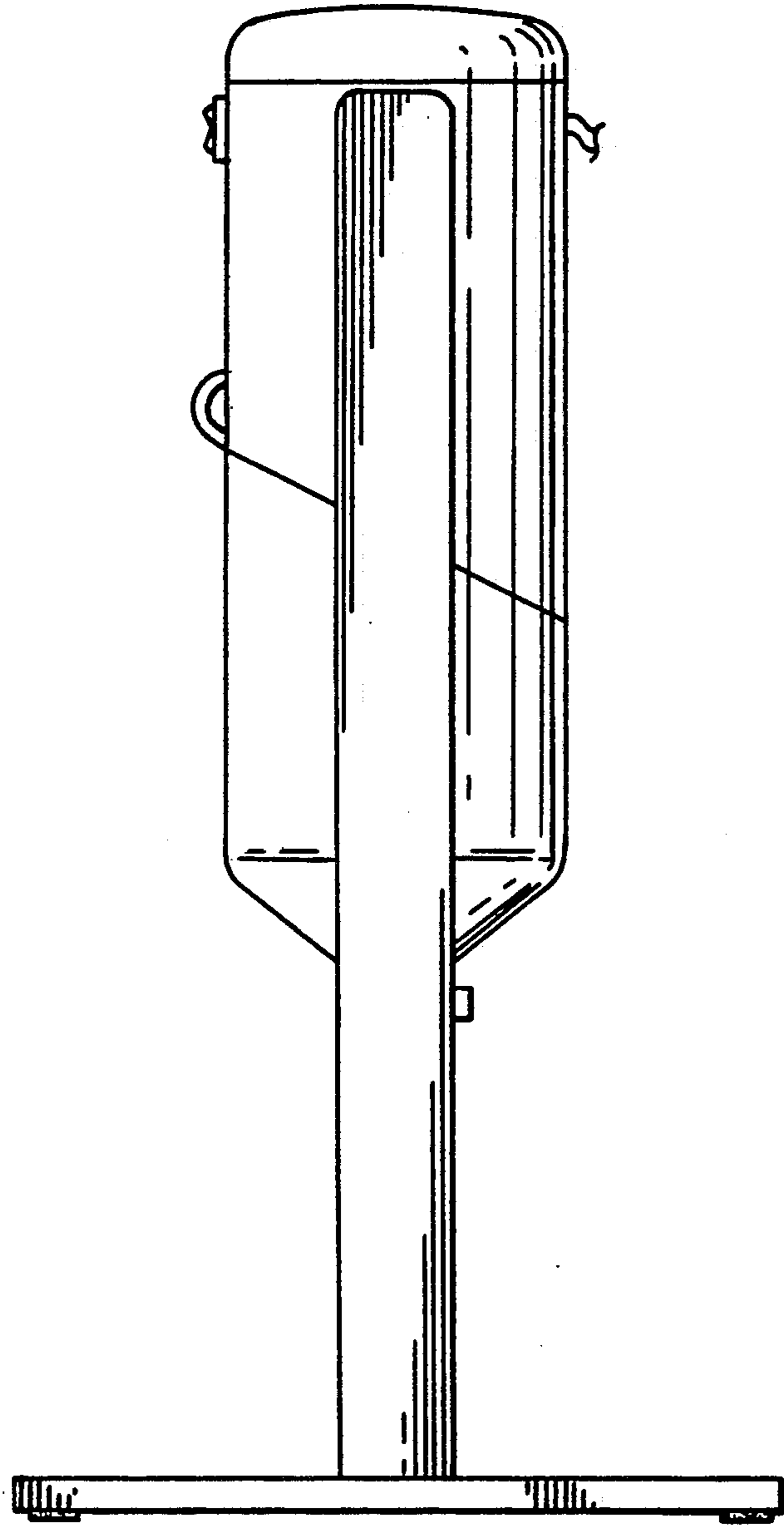


FIG. 4

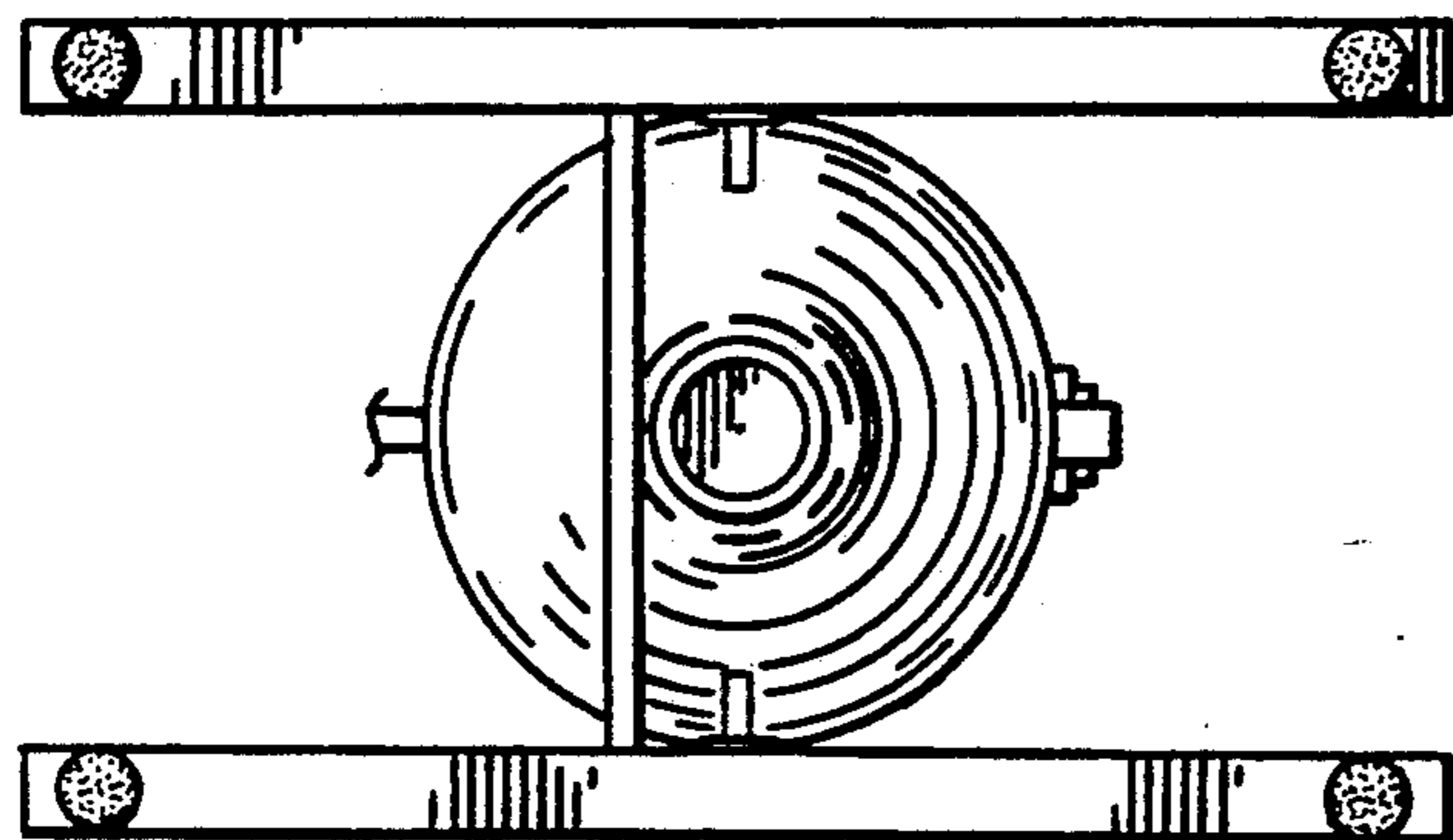
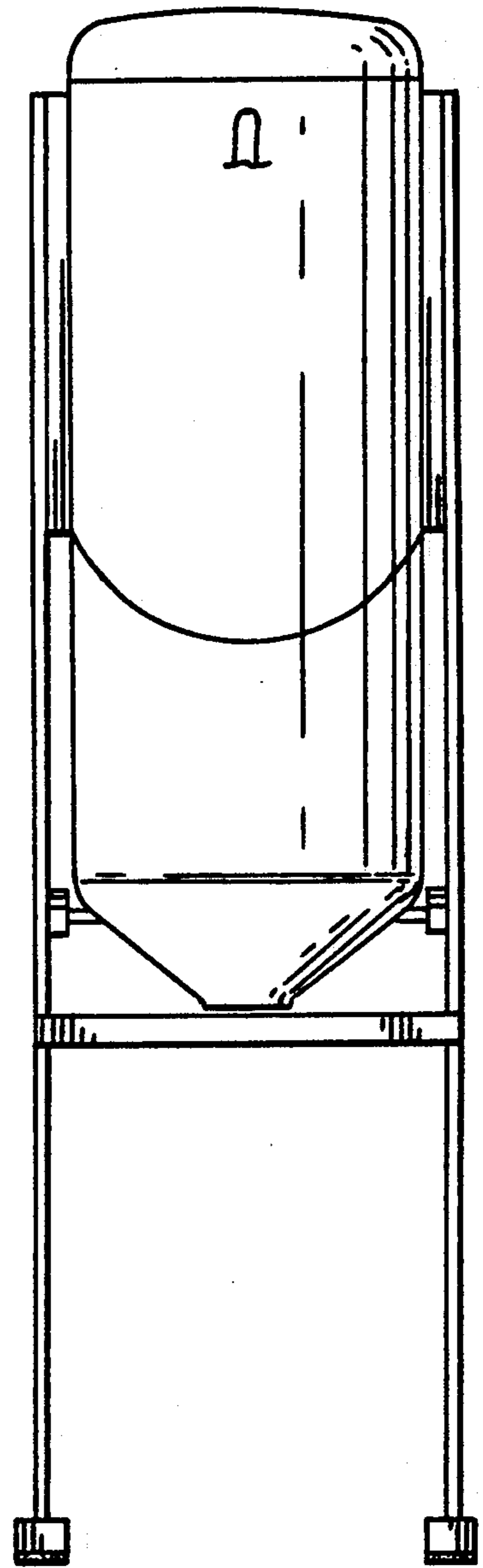


FIG. 6

FIG. 7

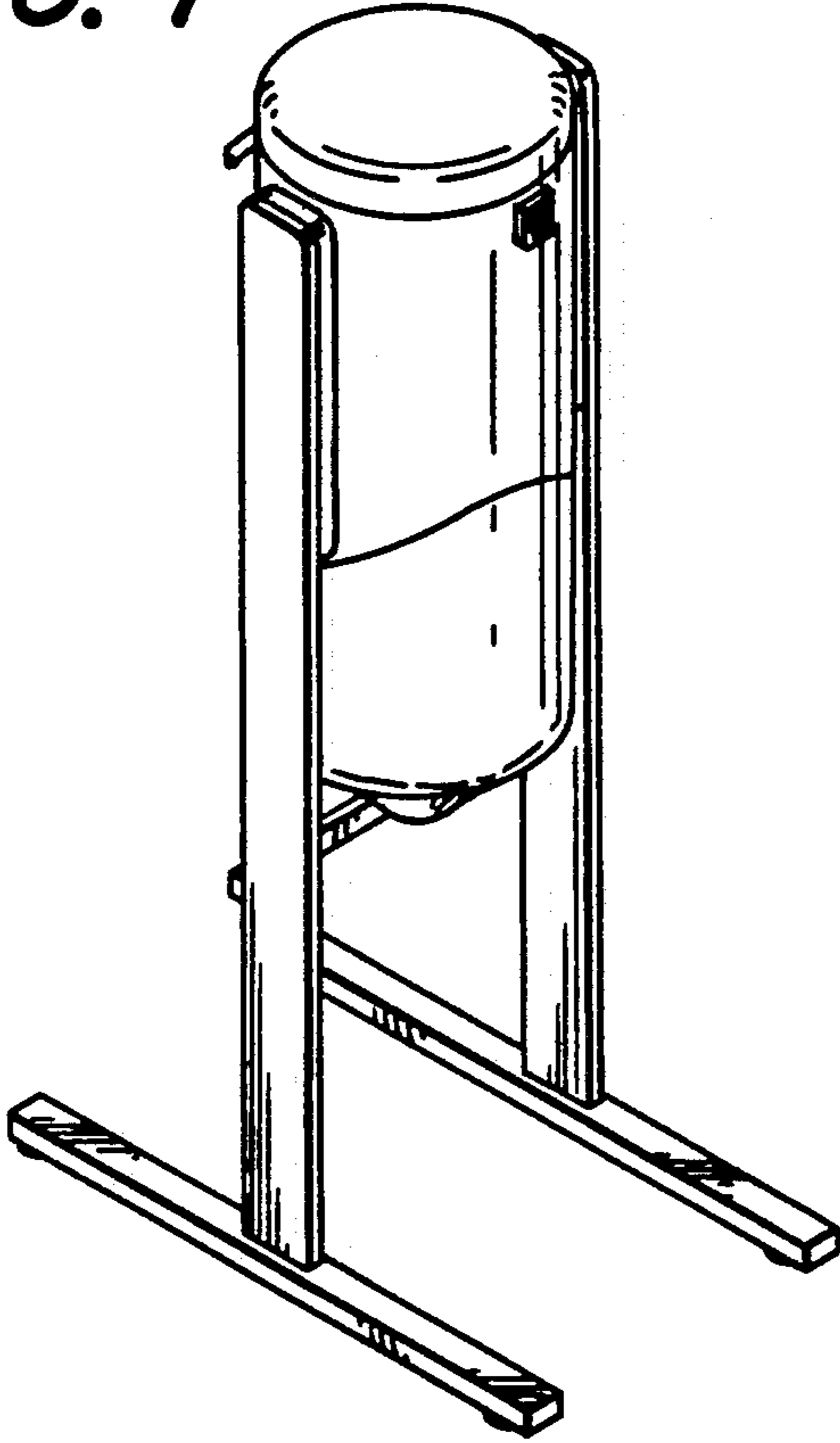


FIG. 8

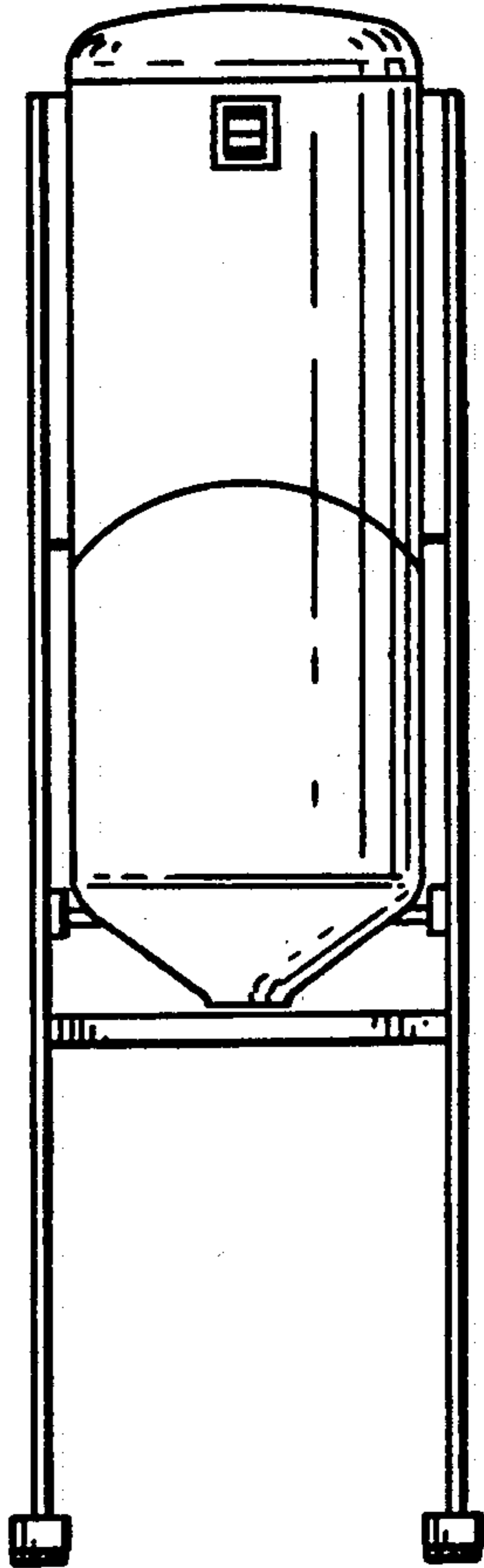


FIG. 9

