

[54] **LIQUID MEASURING-DISPENSER TAP FOR A BEVERAGE BOTTLE OR SIMILAR ARTICLE**

[75] **Inventors: Ronald S. Griffiths, Rochester; John E. Searles, Aylesford, both of England**

[73] **Assignee: R. and A. Bailey & Co. Limited, Dublin, Northern Ireland**

[**] **Term: 14 Years**

[21] **Appl. No.: 75,076**

[22] **Filed: Jul. 20, 1987**

[30] **Foreign Application Priority Data**

Jan. 20, 1987 [GB] United Kingdom 1039342
 [52] **U.S. Cl. D7/398; D9/436; D10/46.2**

[58] **Field of Search D7/398; 222/640, 510, 222/454, 456; D9/436; D10/46.2**

[56] **References Cited**

U.S. PATENT DOCUMENTS

| | | | |
|------------|---------|----------------------|-----------|
| D. 137,589 | 4/1944 | Levings | D7/398 |
| 1,857,363 | 5/1932 | Dencklau . | |
| 2,093,365 | 9/1937 | Ransom et al. | 226/108 |
| 2,199,947 | 5/1940 | Benofsky et al. | 221/147 |
| 2,455,962 | 12/1948 | Wheeler et al. | 222/38 |
| 2,703,666 | 3/1955 | Iannelli | 222/447 |
| 2,801,032 | 7/1957 | Hall | 222/449 |
| 3,591,059 | 7/1971 | Stearns | 222/453 X |
| 3,848,774 | 11/1974 | Schimke | 222/453 X |
| 3,865,277 | 2/1975 | Rimini | 222/453 X |
| 4,049,144 | 9/1977 | Schimke | 222/448 |
| 4,210,262 | 7/1980 | Donaldson | 222/442 |
| 4,288,009 | 9/1981 | Simmons | 222/442 |
| 4,427,041 | 1/1984 | Coetzee | 141/294 |

FOREIGN PATENT DOCUMENTS

| | | | |
|---------|---------|------------------------|---------|
| 29594 | 7/1981 | Australia . | |
| 1846515 | 12/1961 | Fed. Rep. of Germany . | |
| 1934596 | 1/1970 | Fed. Rep. of Germany . | |
| 2253727 | 5/1973 | Fed. Rep. of Germany . | |
| 430680 | 12/1898 | France . | |
| 1021942 | 2/1953 | France . | |
| 82705 | 3/1940 | New Zealand . | |
| 82706 | 3/1940 | New Zealand . | |
| 142053 | 5/1967 | New Zealand . | |
| 142054 | 5/1967 | New Zealand . | |
| 143782 | 7/1967 | New Zealand . | |
| 386869 | 4/1965 | Switzerland . | |
| 461975 | 10/1968 | Switzerland . | |
| 11266 | of 1897 | United Kingdom . | |
| 755917 | 8/1956 | United Kingdom | 222/453 |
| 2036695 | 7/1980 | United Kingdom . | |
| 2127779 | 4/1984 | United Kingdom . | |

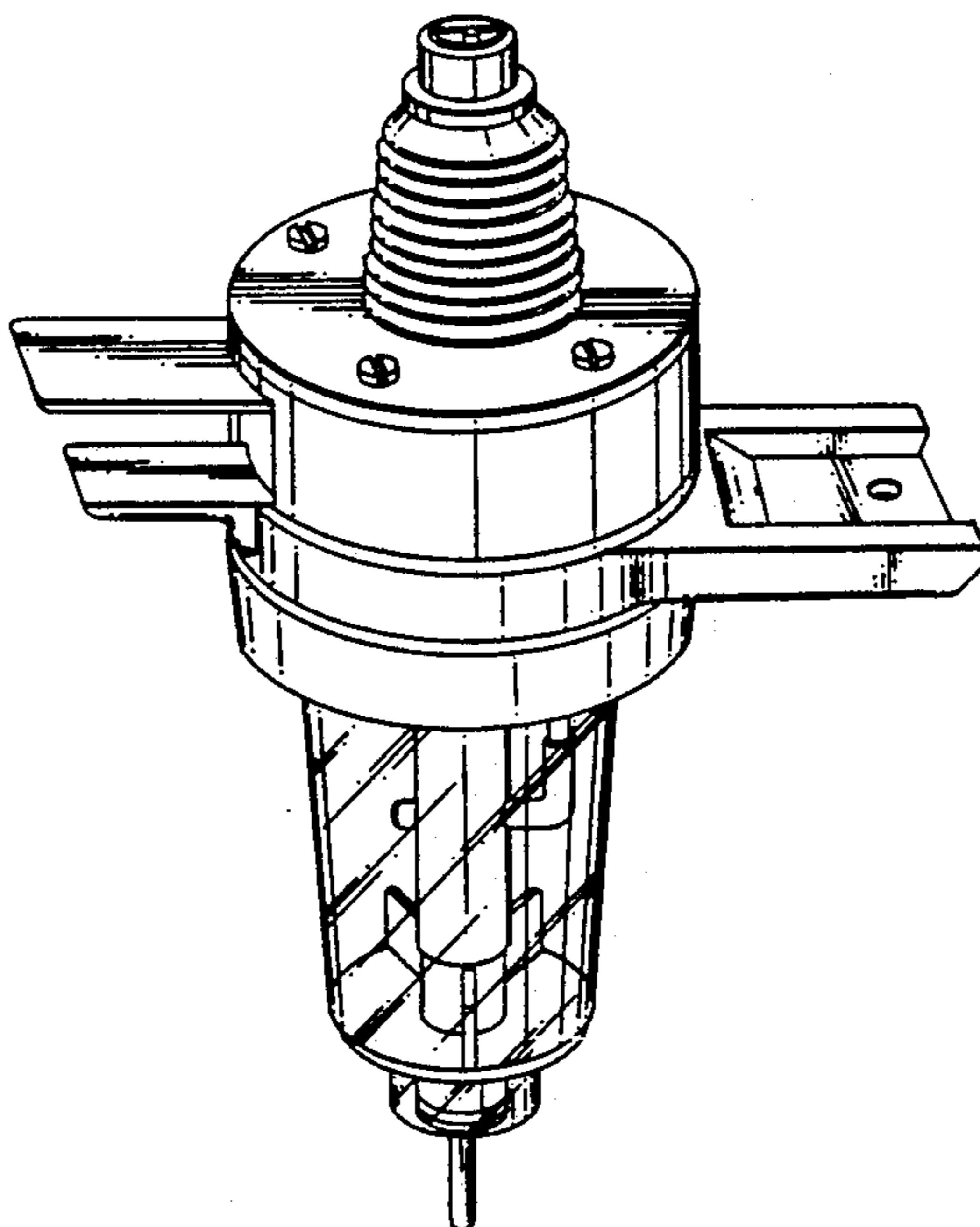
Primary Examiner—Winifred E. Herrmann
Attorney, Agent, or Firm—Parkhurst, Wendel & Rossi

[57] **CLAIM**

The ornamental design for a liquid measuring-dispenser tap for a beverage bottle or similar article, as shown and described.

DESCRIPTION

FIG. 1 is a front elevational view of a liquid measuring dispenser tap for a beverage bottle or similar article showing our new design;
 FIG. 2 is a front elevational view of another embodiment thereof;
 FIG. 3 is a rear elevational view;
 FIG. 4 is a right side elevational view;
 FIG. 5 is a left side elevational view;
 FIG. 6 is a top plan view;
 FIG. 7 is a bottom plan view;
 FIG. 8 is a top perspective view; and
 FIG. 9 is a bottom perspective view thereof.



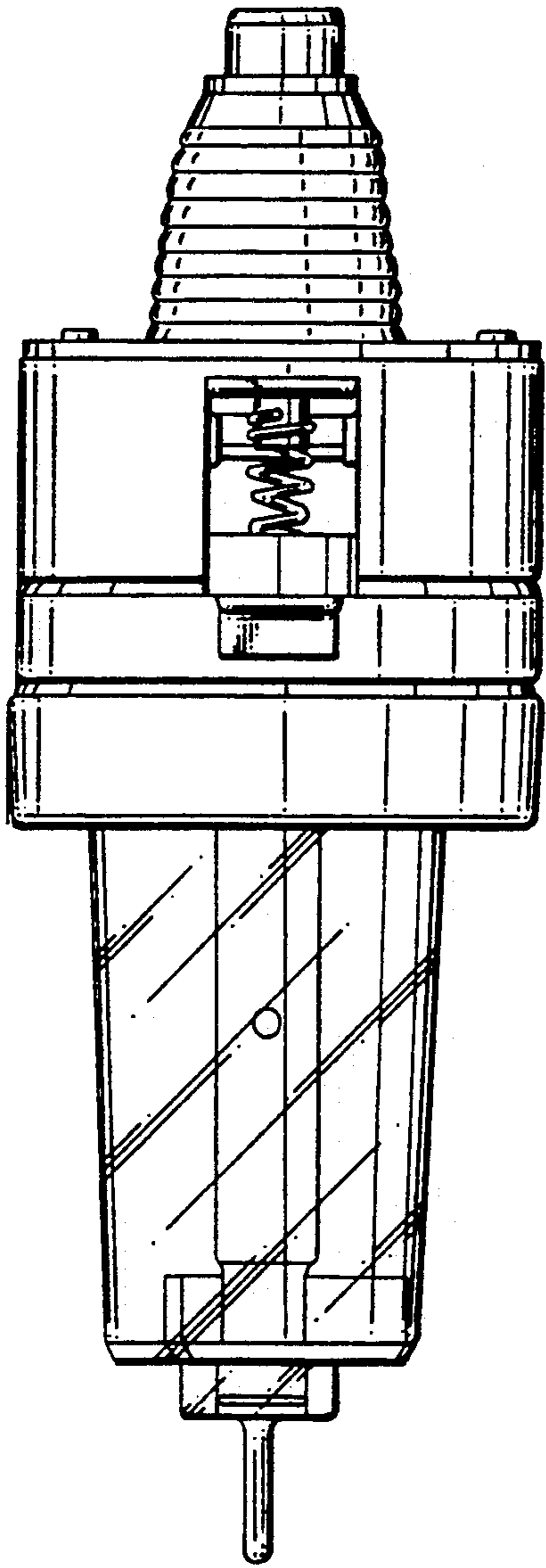


FIG- 1

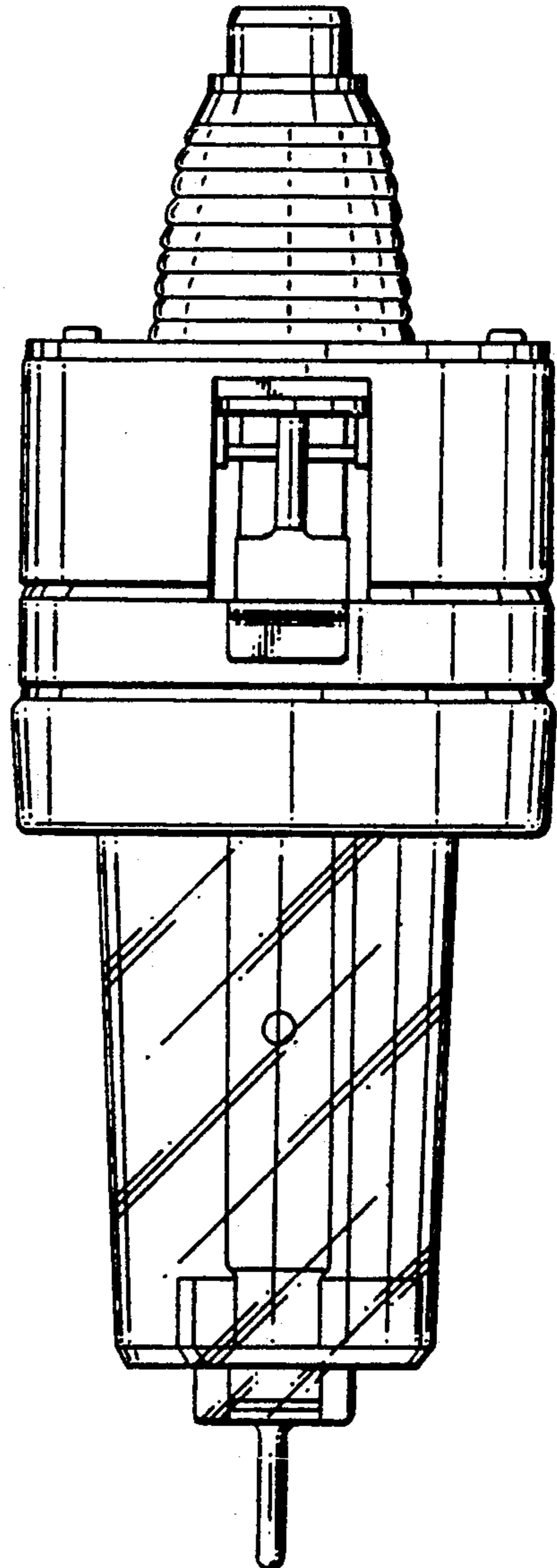


FIG- 2

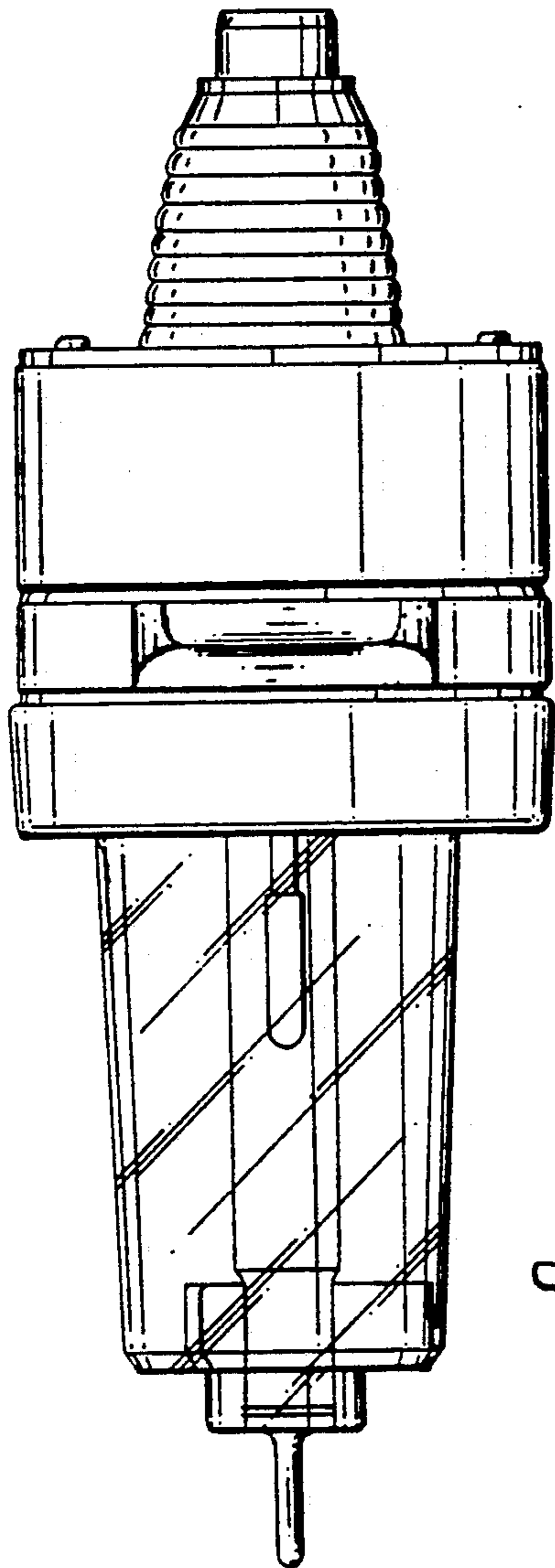


FIG - 3

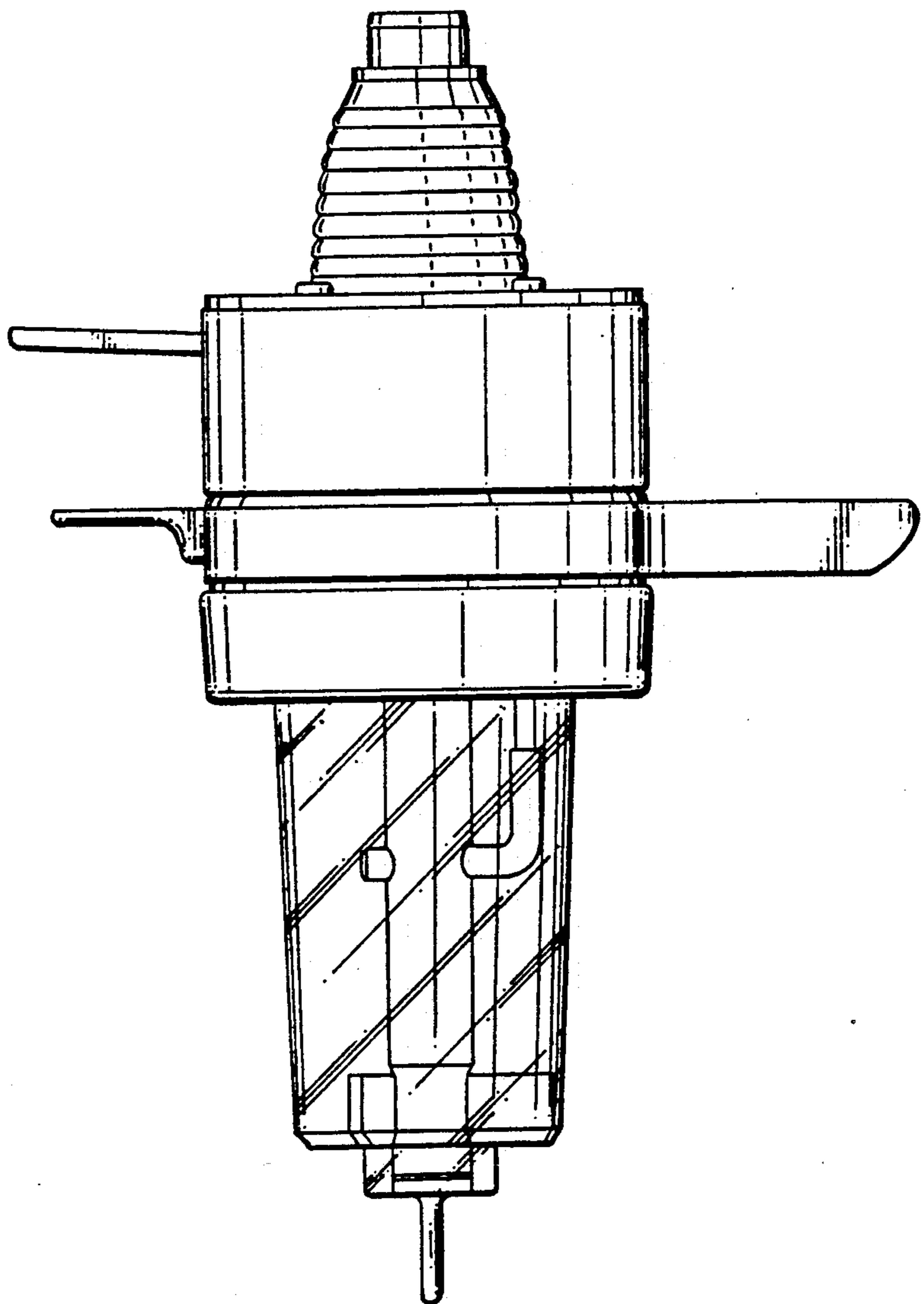


FIG - 4

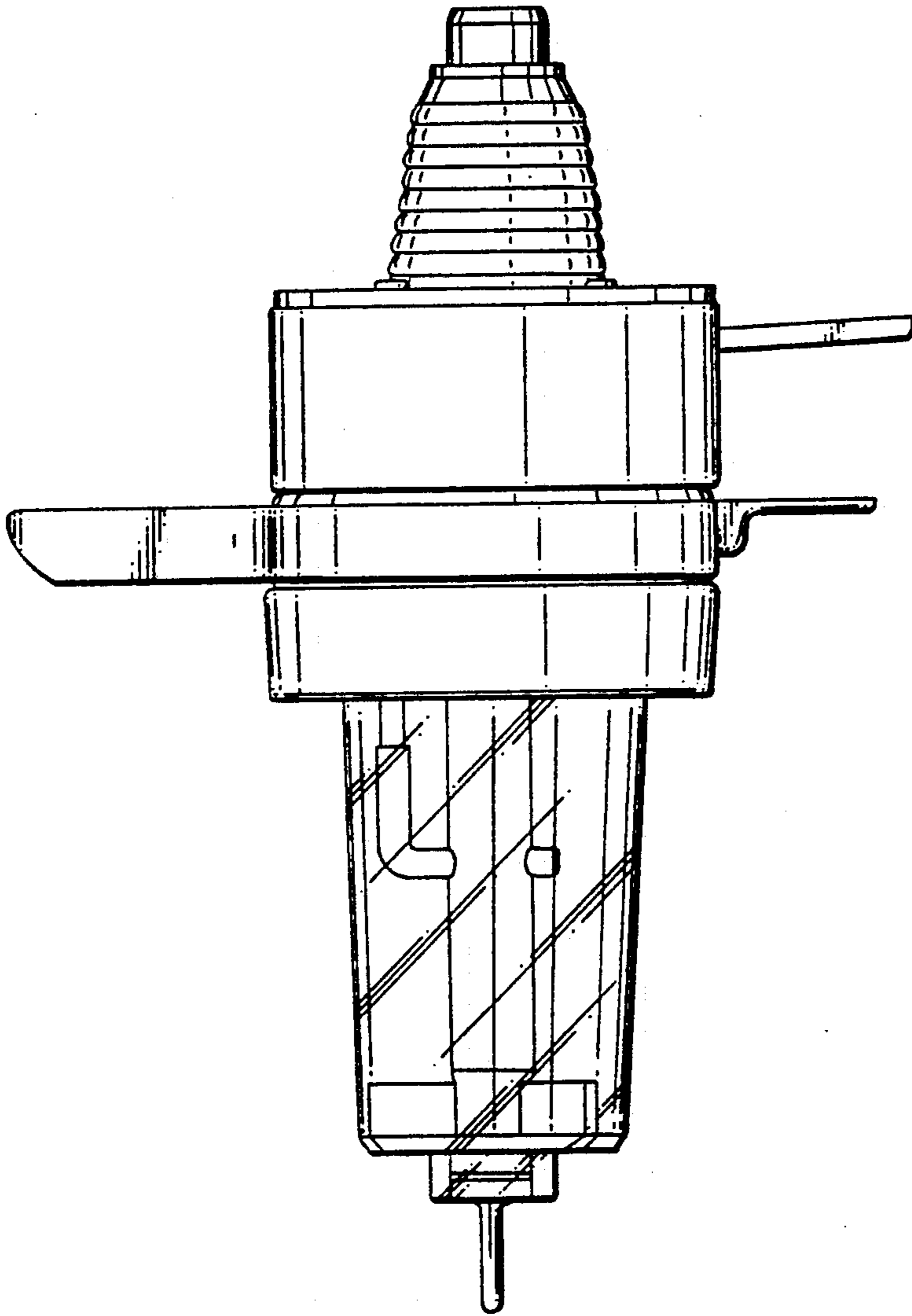
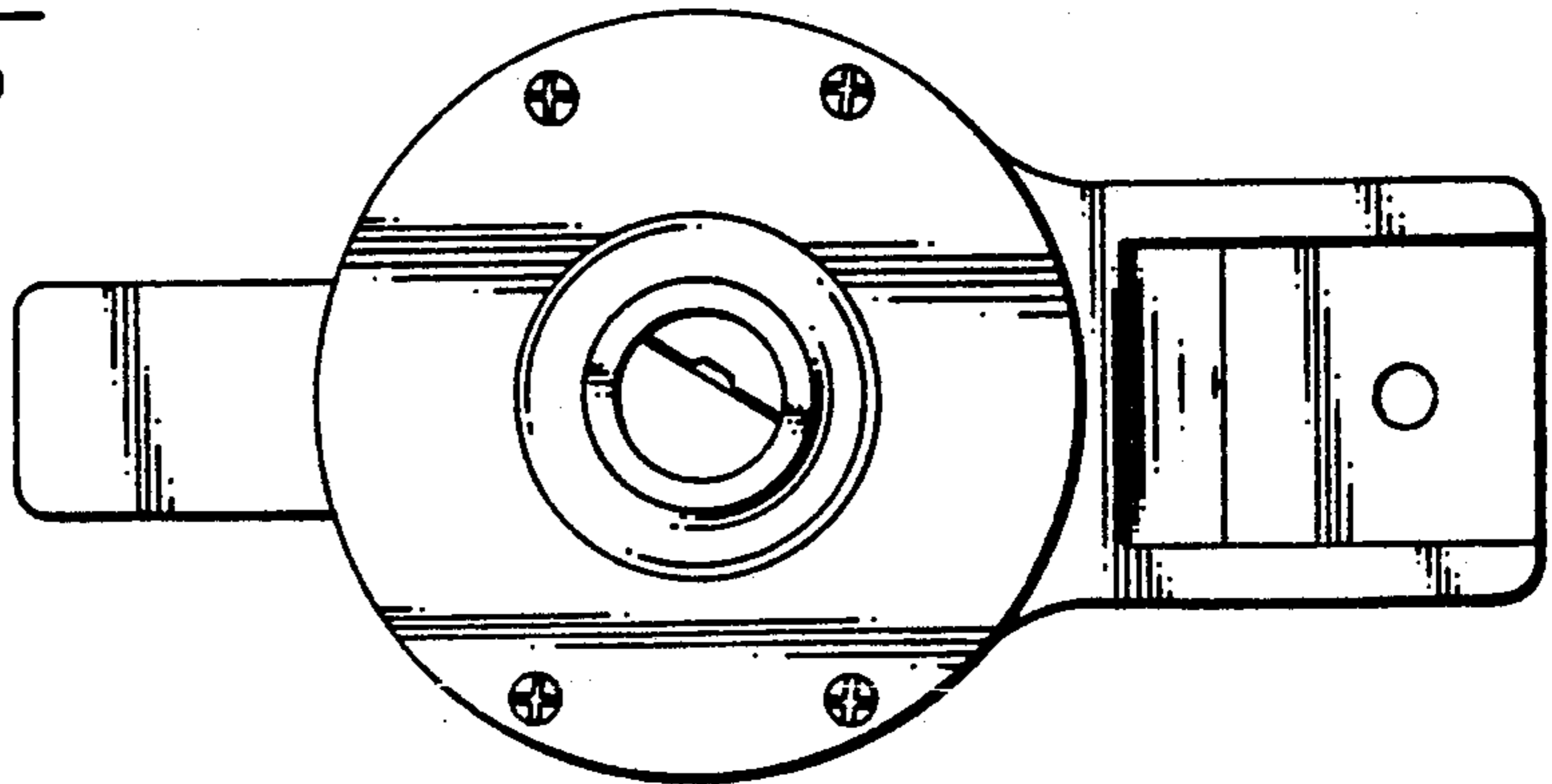


Fig - 5

Fig - 6



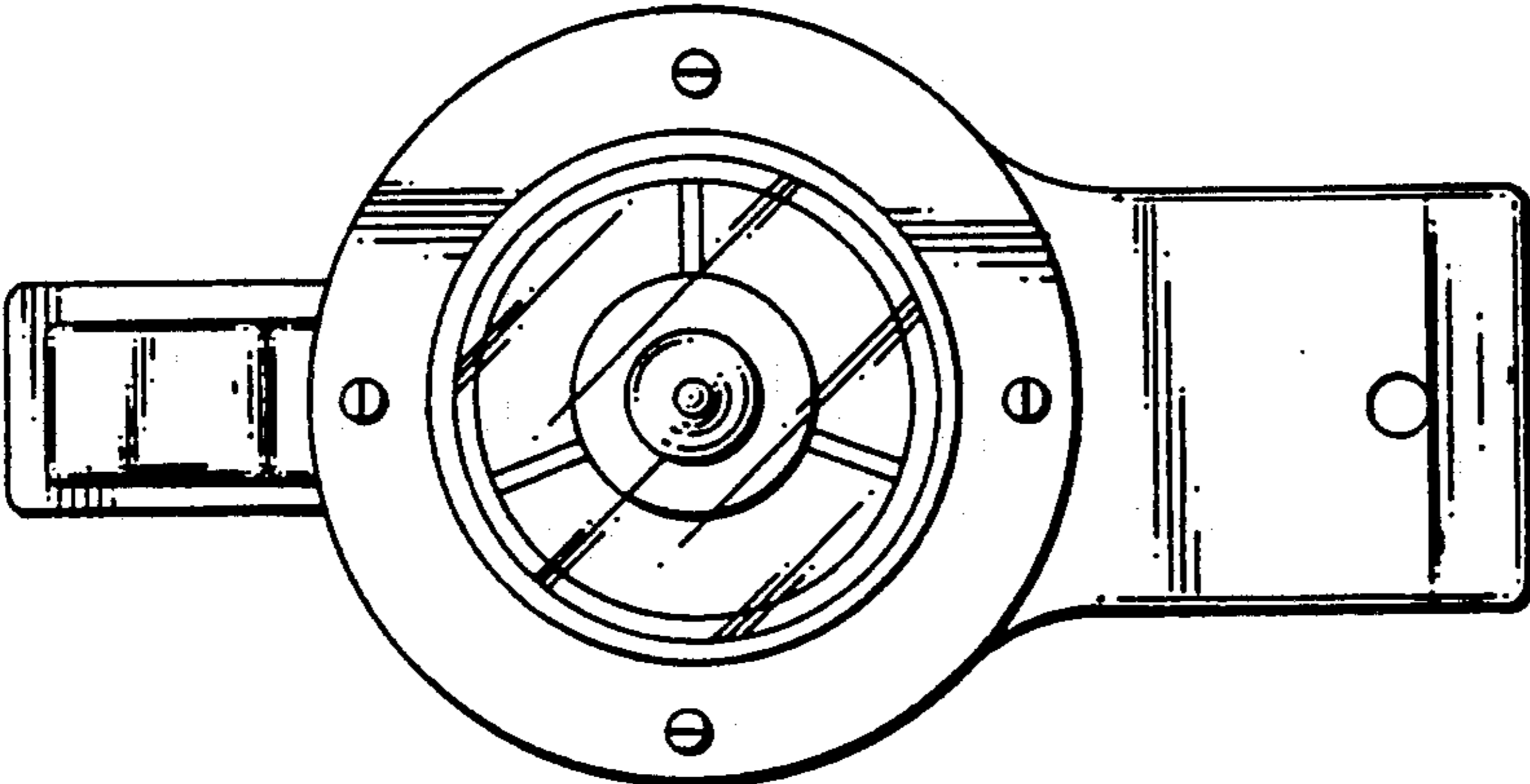


FIG - 7

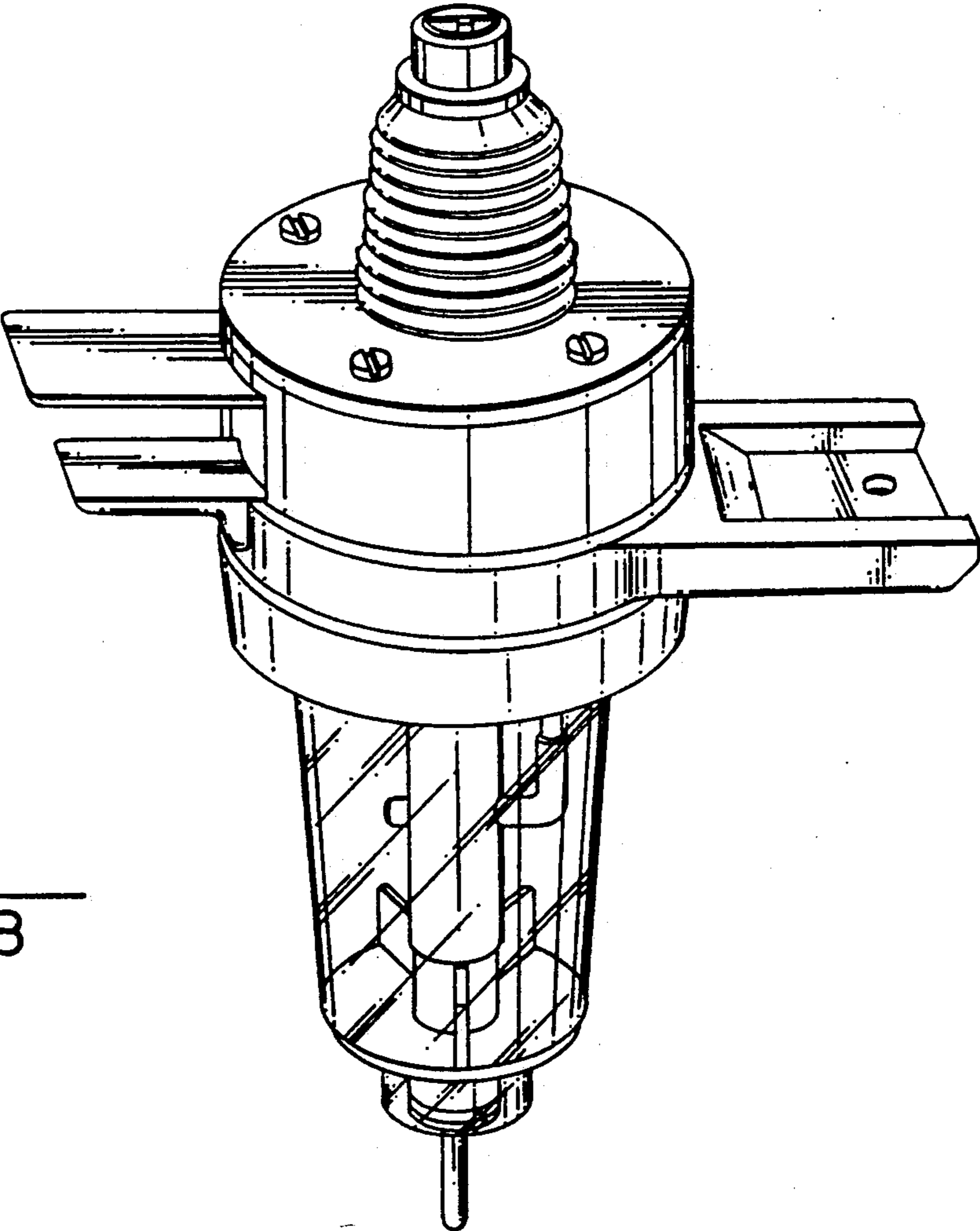


FIG - 8

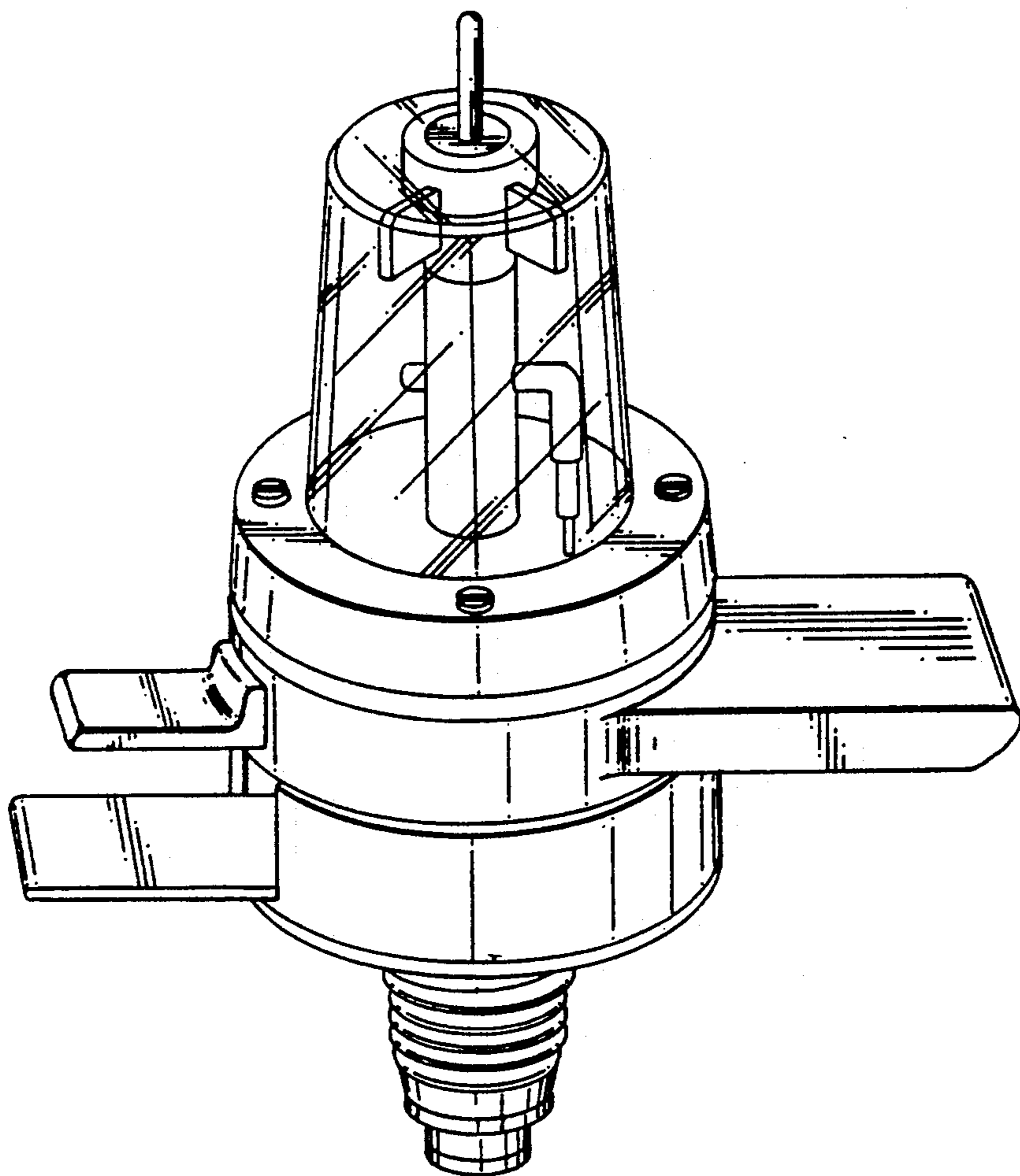


FIG - 9

**UNITED STATES PATENT AND TRADEMARK OFFICE
CERTIFICATE OF CORRECTION**

PATENT NO. : Des. 316,208

DATED : April 16, 1991

INVENTOR(S) : Ronald S. GRIFFITHS et al.

It is certified that error appears in the above-identified patent and that said Letters Patent is hereby corrected as shown below:

On the title page

IN SECTION (73) ASSIGNEE, "Republic of Ireland" should read --

Ireland--.

**Signed and Sealed this
Twenty-fourth Day of November, 1992**

Attest:

DOUGLAS B. COMER

Attesting Officer

Acting Commissioner of Patents and Trademarks

UNITED STATES PATENT AND TRADEMARK OFFICE
CERTIFICATE OF CORRECTION

PATENT NO. : Des. 316,208
DATED : April 16, 1991
INVENTOR(S) : Ronald S. Griffiths

It is certified that error appears in the above-identified patent and that said Letters Patent is hereby corrected as shown below:

ON THE TITLE PAGE:

Item [73] change "Northern Ireland"
to --Ireland--.

This certificate supersedes Certificate of Correction
issued November 24, 1992.

**Signed and Sealed this
Second Day of March, 1993**

Attest:

STEPHEN G. KUNIN

Attesting Officer

Acting Commissioner of Patents and Trademarks